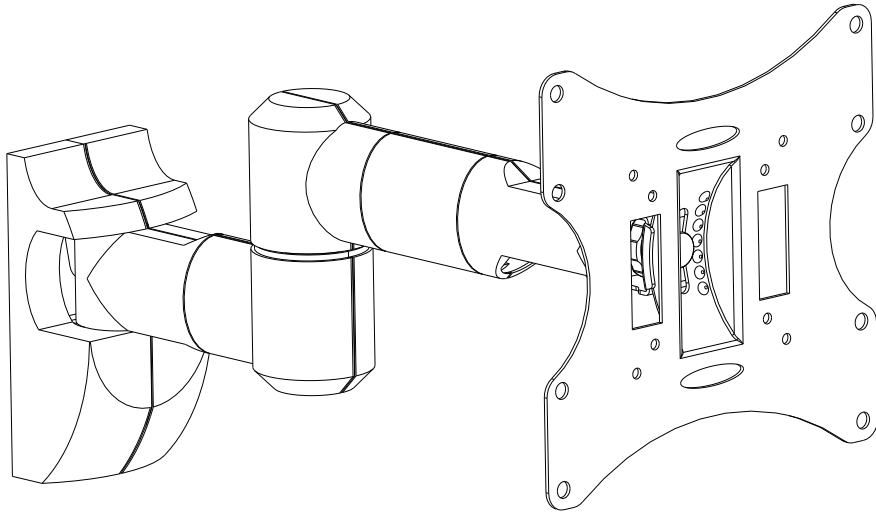




P-SWB503B-1



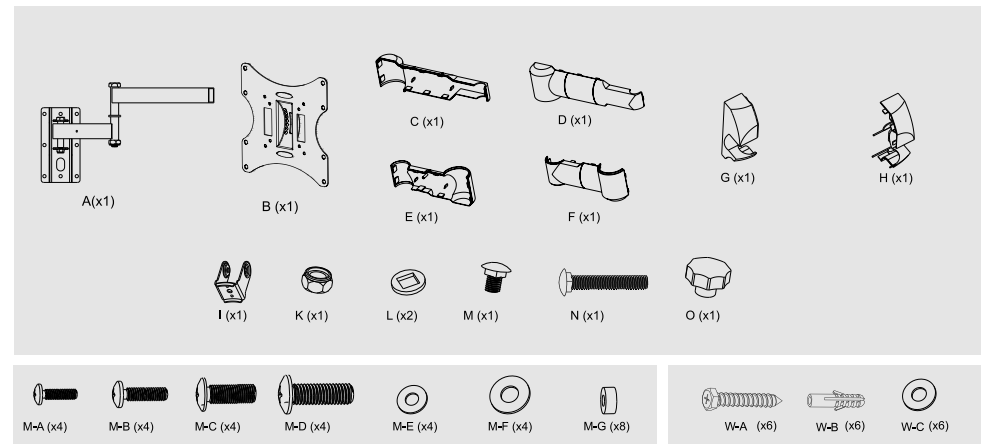
EN| Full Motion Wall Mount Manual

FR| Manuel de montage mural à mouvement complet

DE| Wandhalterung mit völliger Bewegungsfreiheit handbuch

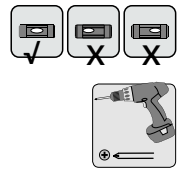
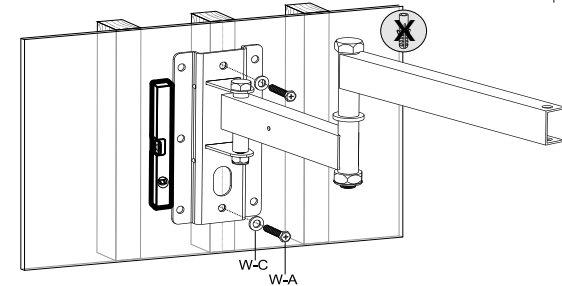
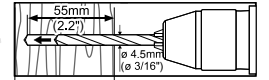
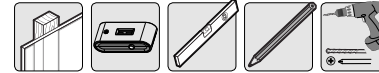


Audio Visual Simplified.

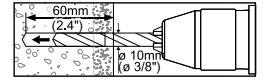
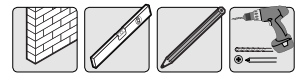
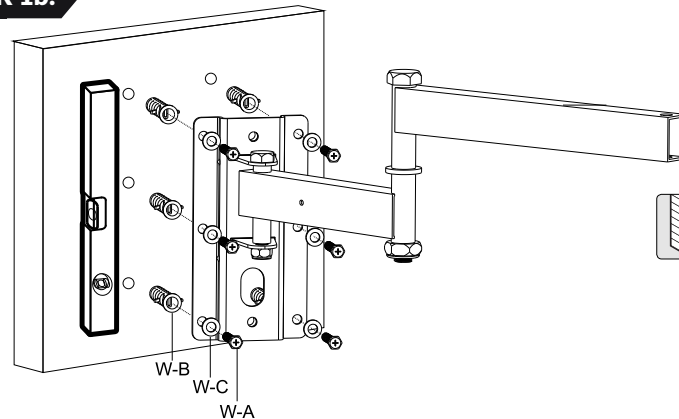


Before starting installation, please check your TV is VESA compatible with this bracket as old model TV's may have an alternative VESA fitting. Simply hold part B up to the back of your TV to make sure screw holes align. To find out more, scan this QR code.

1a.



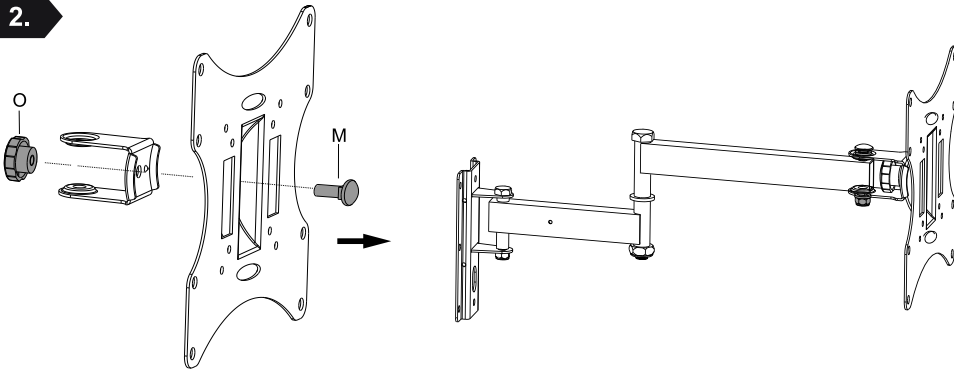
OR 1b.



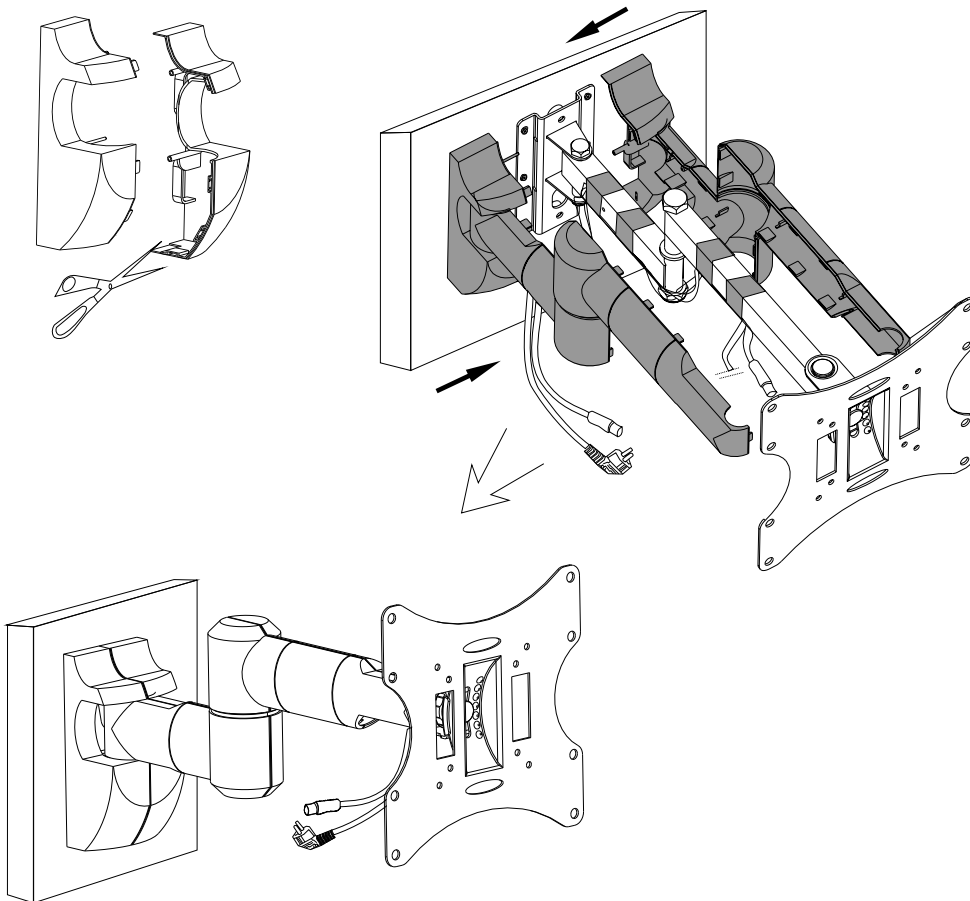


Before starting installation, please check your TV is VESA compatible with this bracket as old model TV's may have an alternative VESA fitting. Simply hold **part B** up to the back of your TV to make sure screw holes align. To find out more, scan this QR code.

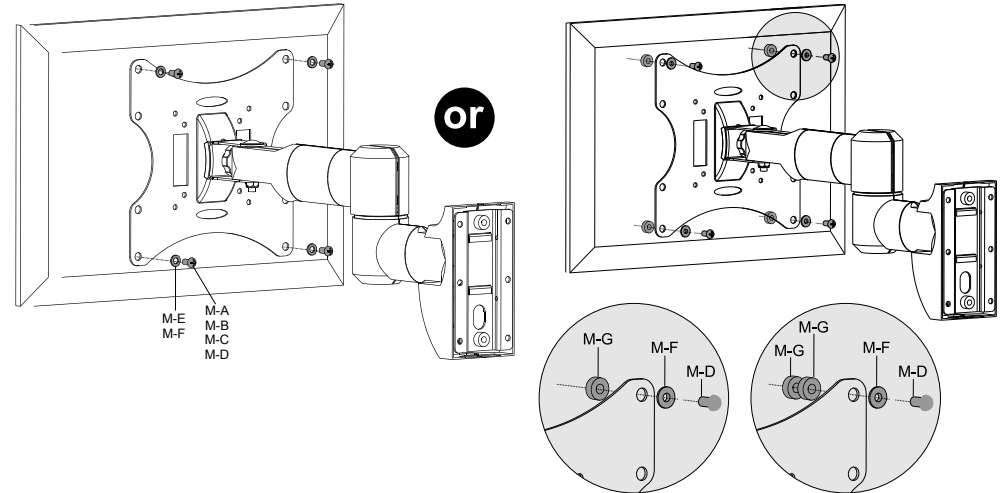
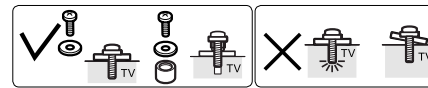
2.



3.

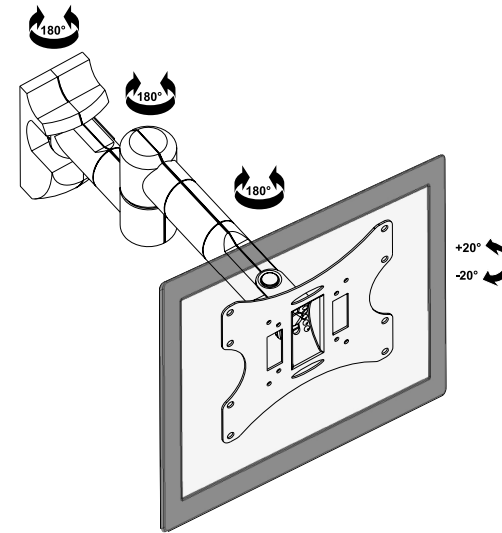


4.



The spacers illustrated above are optional and should be used if the back of your TV is not flat to compensate and provide a solid mounting surface.

5.



www.properav.com
 Contact us by:
 Email: care@properav.com
 Phone: +44(0)344 980 7000