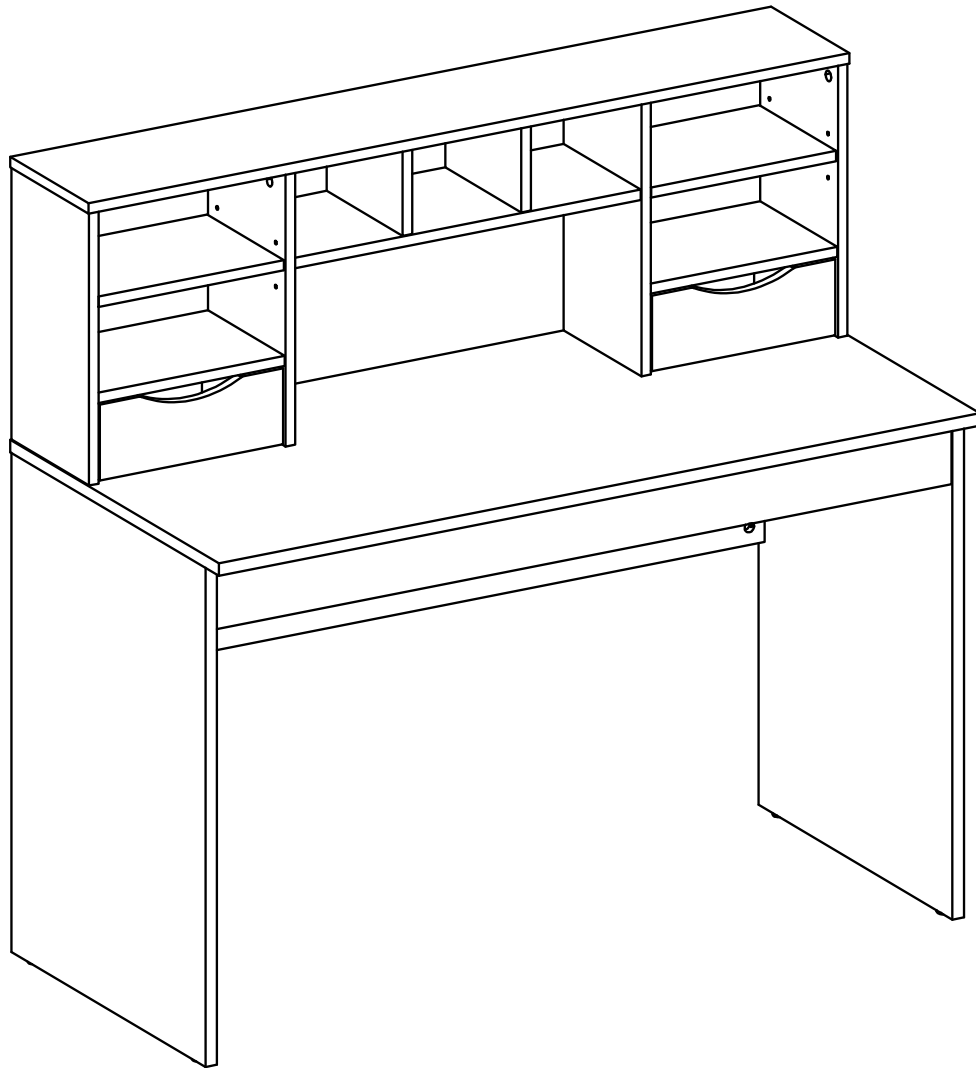


# 2120



01942 524100



cseurope@dorel.com



[www.alphasondesigns.com](http://www.alphasondesigns.com)



Alphason Designs Limited, Building 4, Imperial Place, Maxwell Road,  
Borehamwood, Wd6 1JN United Kingdom

# 2120

**Thank you for purchasing this product. Please inspect all parts prior to assembly and contact us if there are any damaged or missing components. This must be done before attempting assembly.**

## **Pre-assembly preparation**

Please check the pack contents before attempting to assemble this product. A full checklist of components is given in this leaflet. If any components are missing, please contact the retailer from whom you bought this product.

This product is **HEAVY**, it should be assembled as near as possible to the point of use. **TAKE CARE WHEN LIFTING** to avoid personal injury and (or) damage to the product.

This product takes approximately **60 MINUTES** to assemble with **2 PERSON**.

The fittings pack contains **SMALL ITEMS** which should be **KEPT AWAY FROM YOUNG CHILDREN**.

Read this leaflet in full before commencing assembly to ensure safe and satisfactory operation of this product.

## **Safety Instructions**

Never drag furniture when moving it, always lift it.

Periodically check all fixings to ensure none have come loose and re-tighten where necessary.

Please take care when handling or moving the furniture as careless handling may cause damage or injury.

Furniture can be dangerous if incorrectly installed. Assembly should be carried out by a competent person. No liability will be accepted for damage or injury caused by incorrectly installed or assembled furniture.

It is recommended that before moving heavy objects to a new location they are completely dis-assembled to avoid personal injury or damage to the furniture. Please be careful to retain all fittings when doing this.

## **Care Instructions**

Do not place hot or cold items against or in close proximity to any surface on this product.

Do not strike any glass with hard or pointed items.

When cleaning glass or high gloss panels use a damp cloth or leather with washing up liquid or soft soap if necessary; do not use washing powders or other substances containing abrasives as these may scratch the glass. Dry with a soft cloth.

In order to maintain a high quality finish, when cleaning metal, painted or wooden parts please use a soft cloth with a suitable furniture polish if required.

## **WARNING:**

Do not sit or stand on this product.

Do not attempt to move this product whilst loaded with equipment.

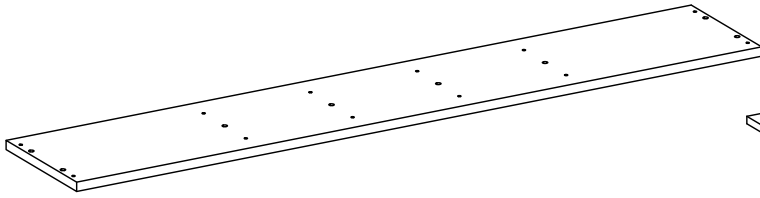
**DO NOT OVERTIGHTEN ANY PART OF THIS ASSEMBLY**

This product complies to BS6206 and BS7376:2004

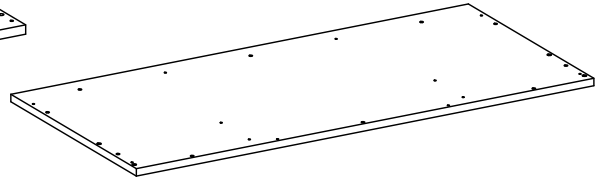
**PLEASE KEEP THESE INSTRUCTIONS FOR FUTURE REFERENCE**

**DOREL HOME FURNISHINGS EUROPE ACCEPTS NO LIABILITY FOR ANY DAMAGE CAUSED THROUGH INCORRECT OR INAPPROPRIATE USE OF THIS PRODUCT.**

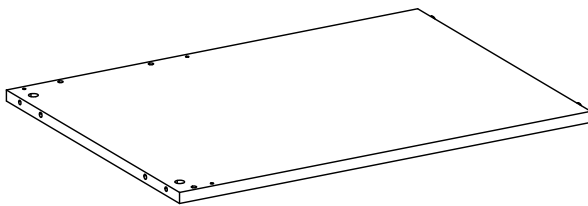
# 2120



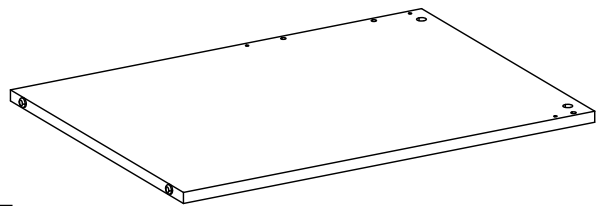
**A** x1



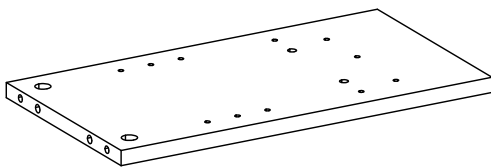
**B** x1



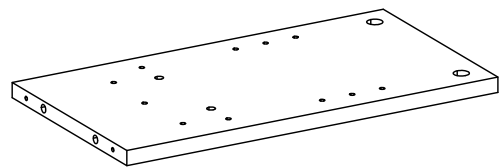
**C** x1



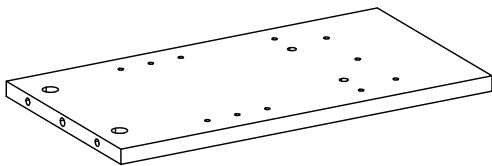
**D** x1



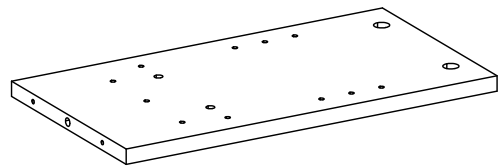
**E** x1



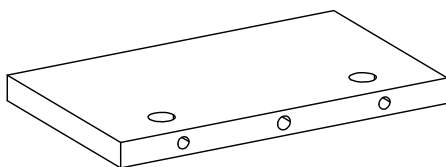
**F** x1



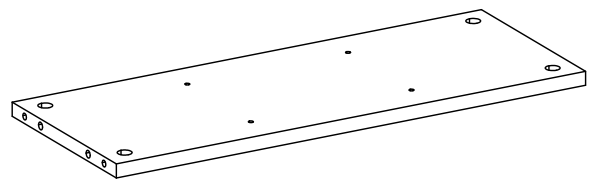
**G** x1



**H** x1

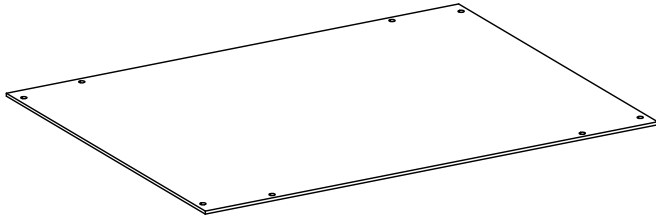


**I** x2

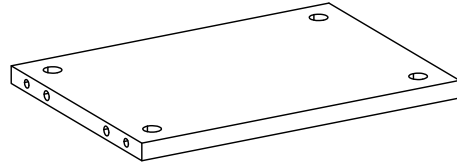


**J** x1

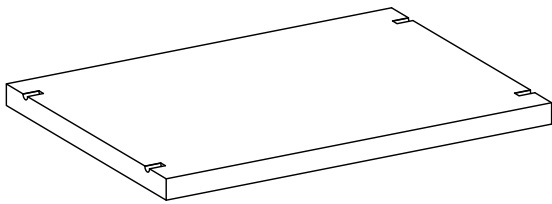
# 2120



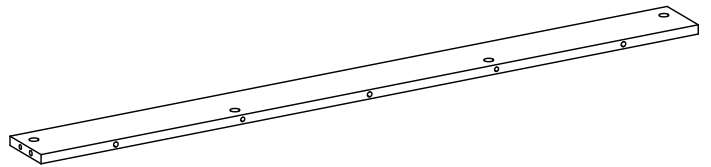
**K** x2



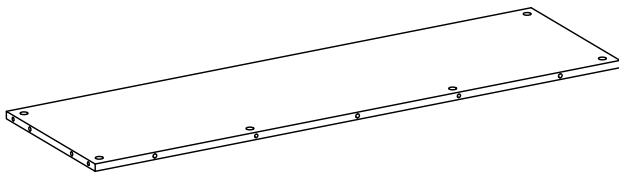
**L** x2



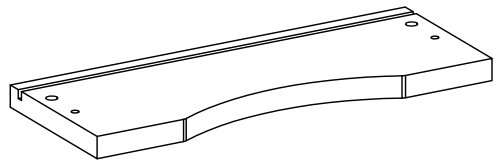
**M** x2



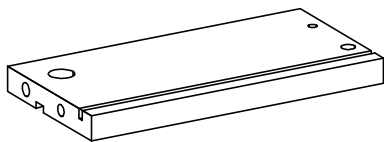
**N** x1



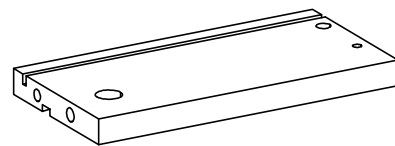
**O** x1



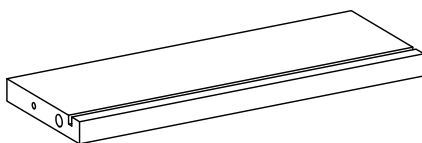
**P** x2



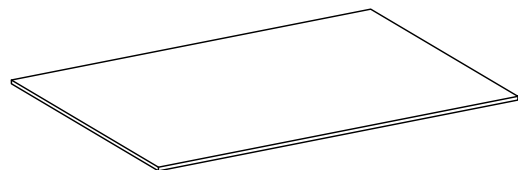
**Q** x2



**R** x2



**S** x2

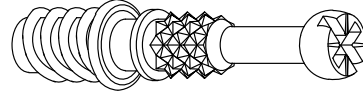


**T** x2

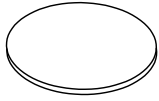
# 2120



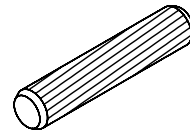
**U** x42



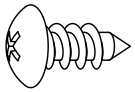
**V** x42



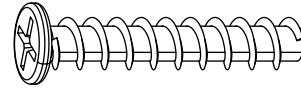
**W** x42



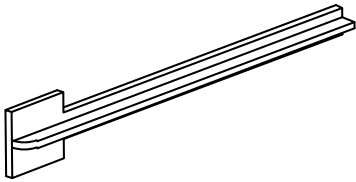
**X** x52



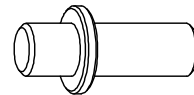
**Y** x16



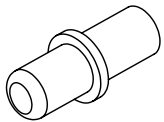
**Z** x16



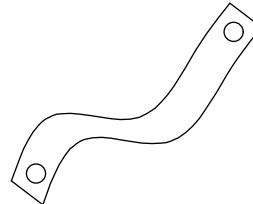
**A1** x4



**B1** x2

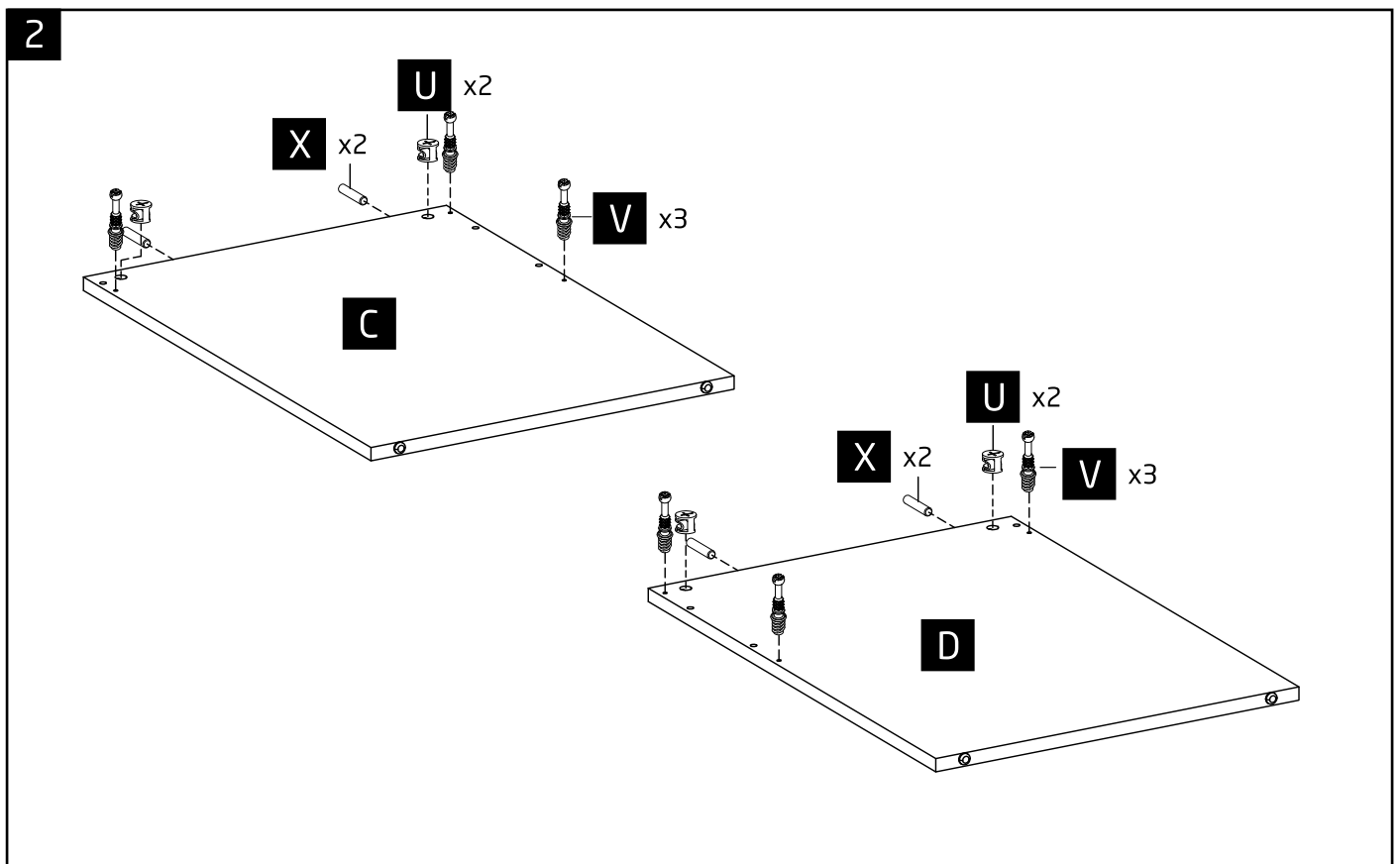
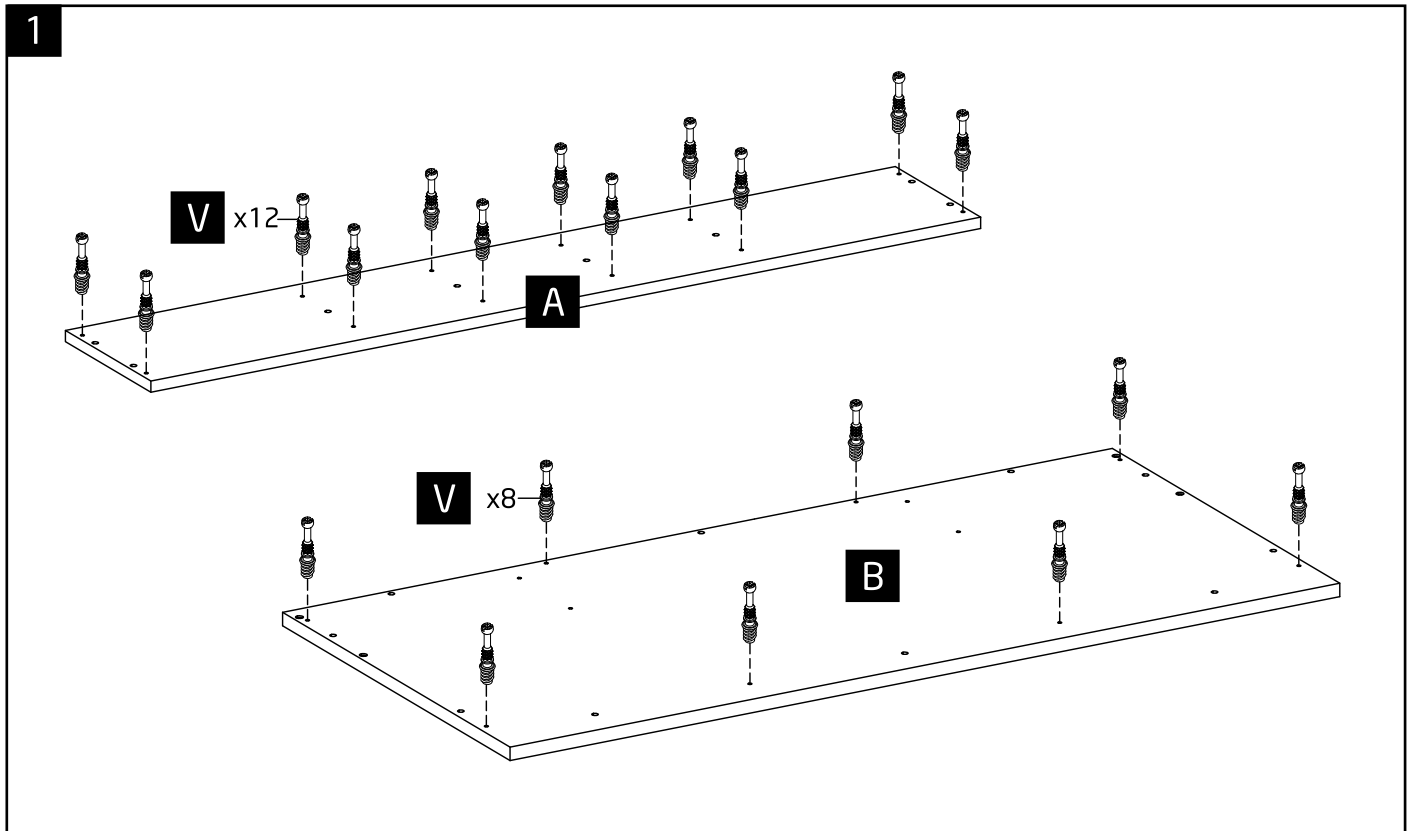


**C1** x8

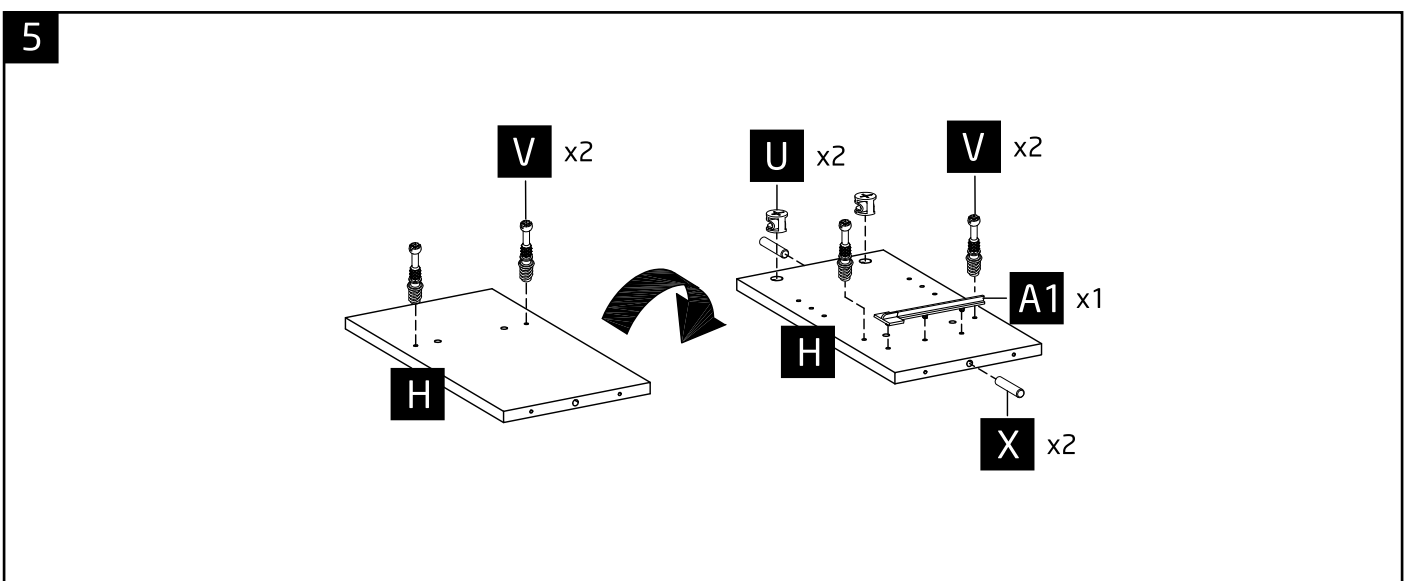
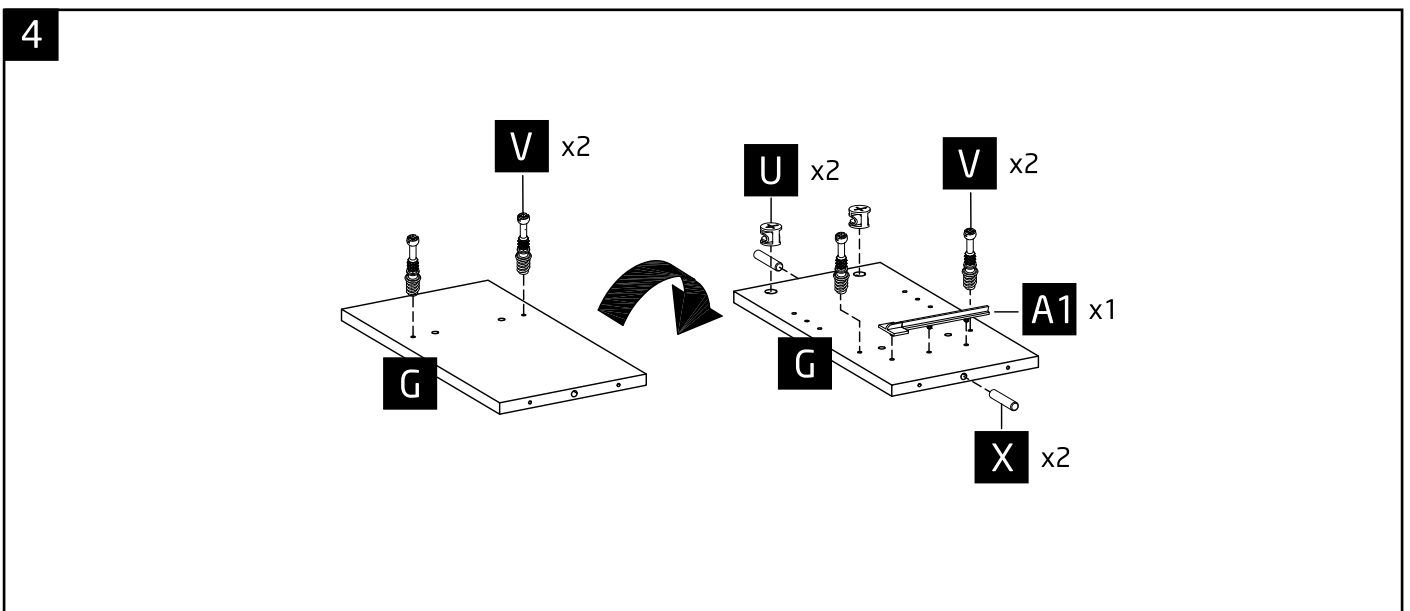
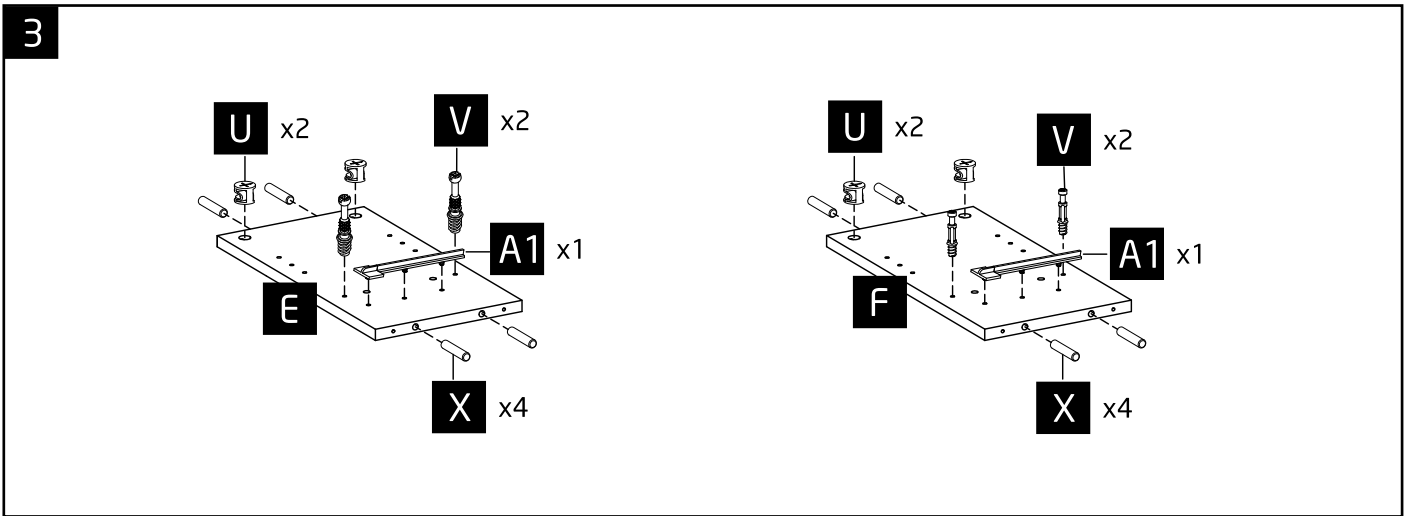


**D1** x2

# 2120

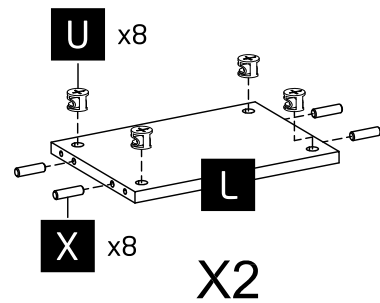
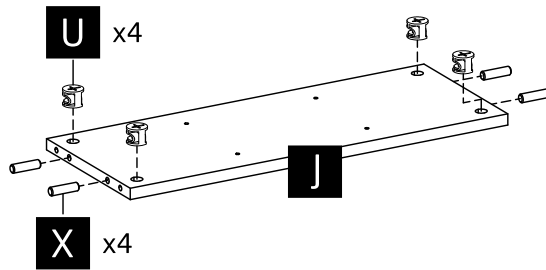
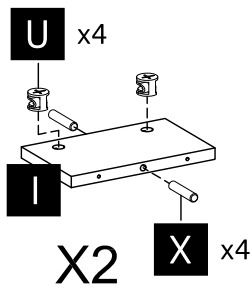


# 2120

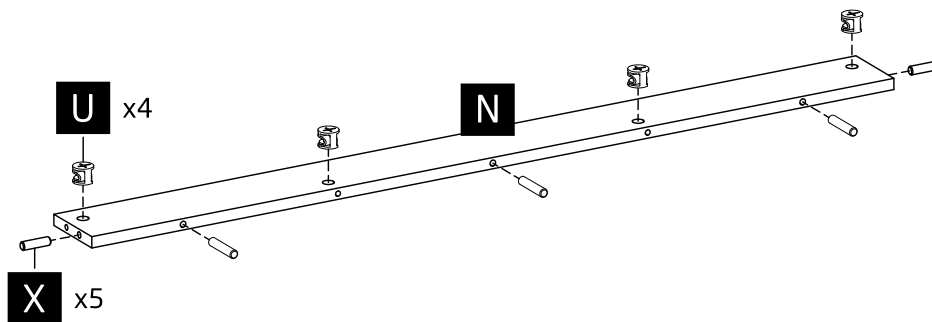


# 2120

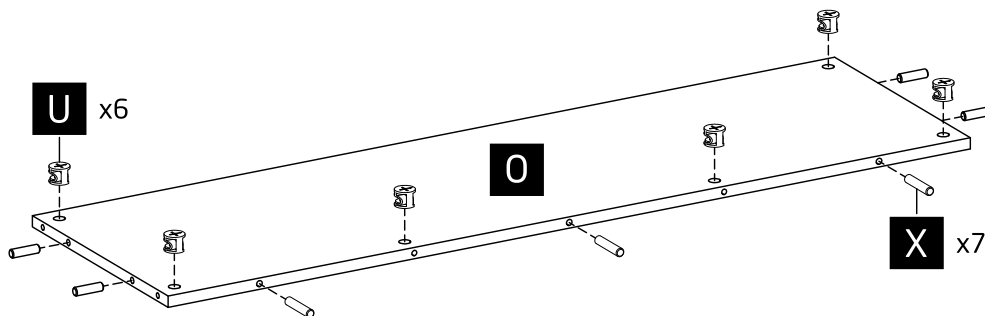
6



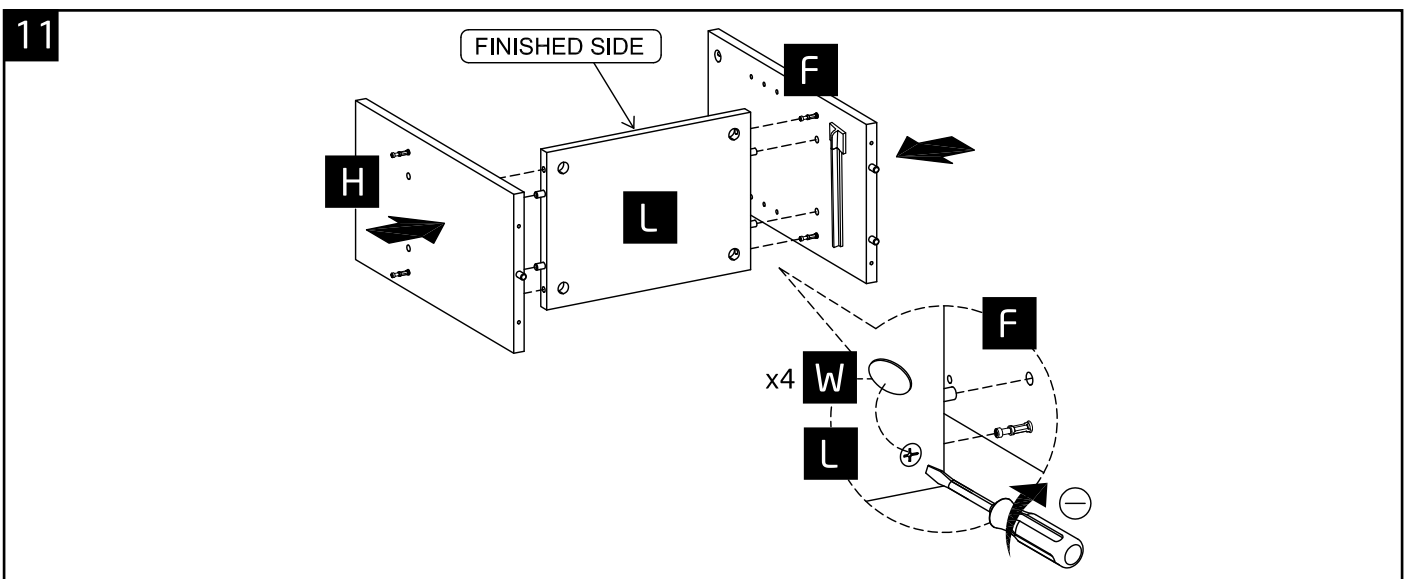
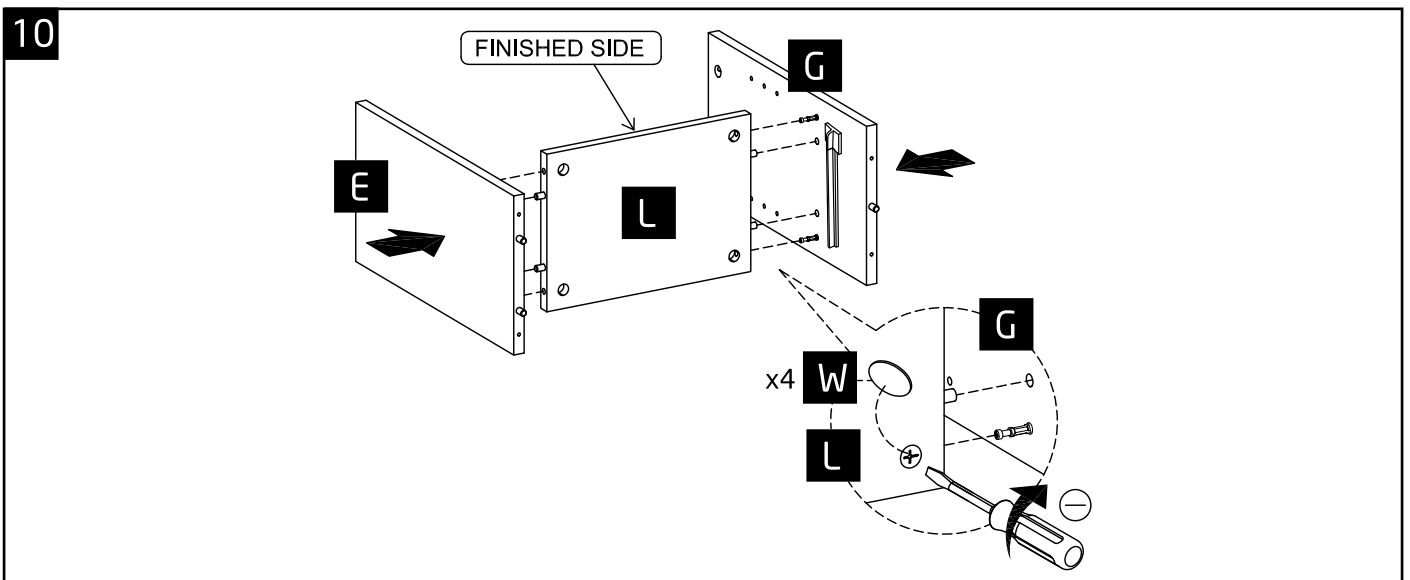
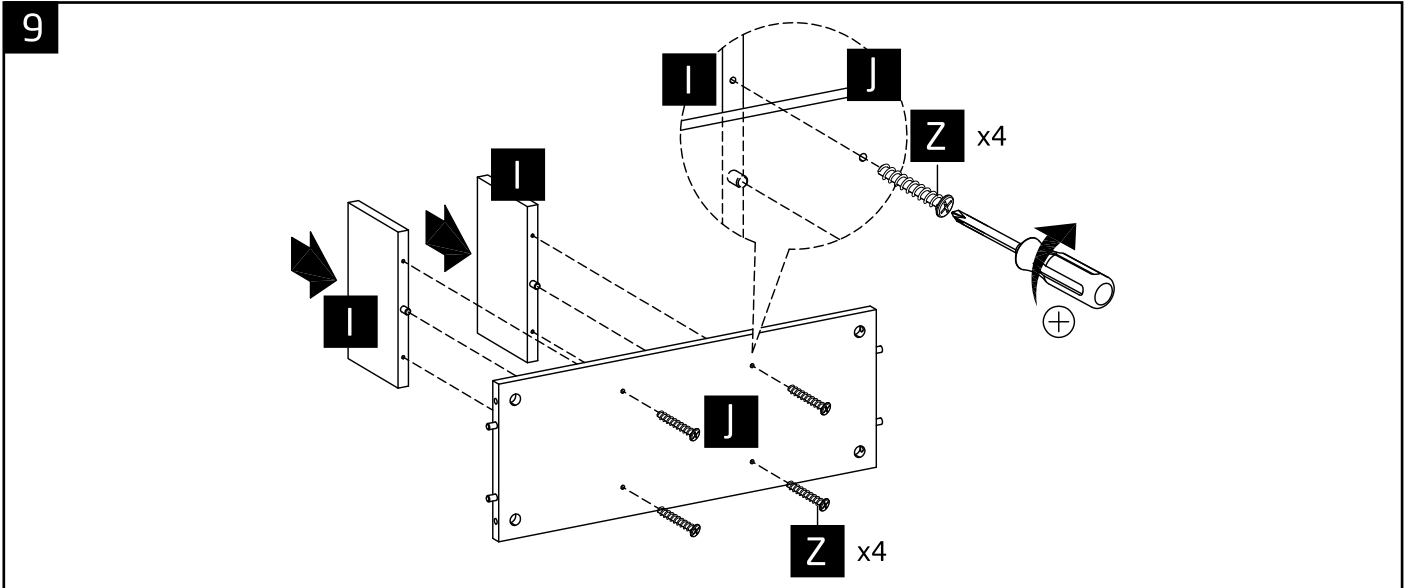
7



8

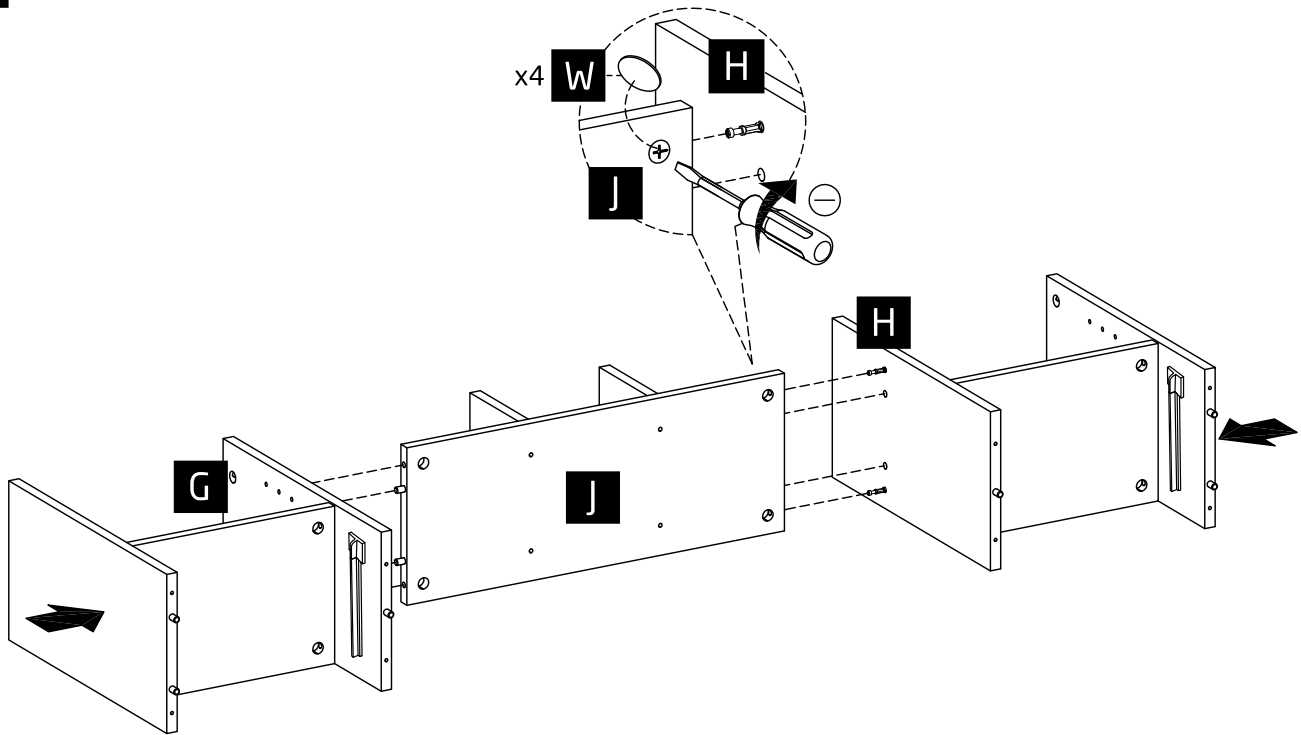


# 2120

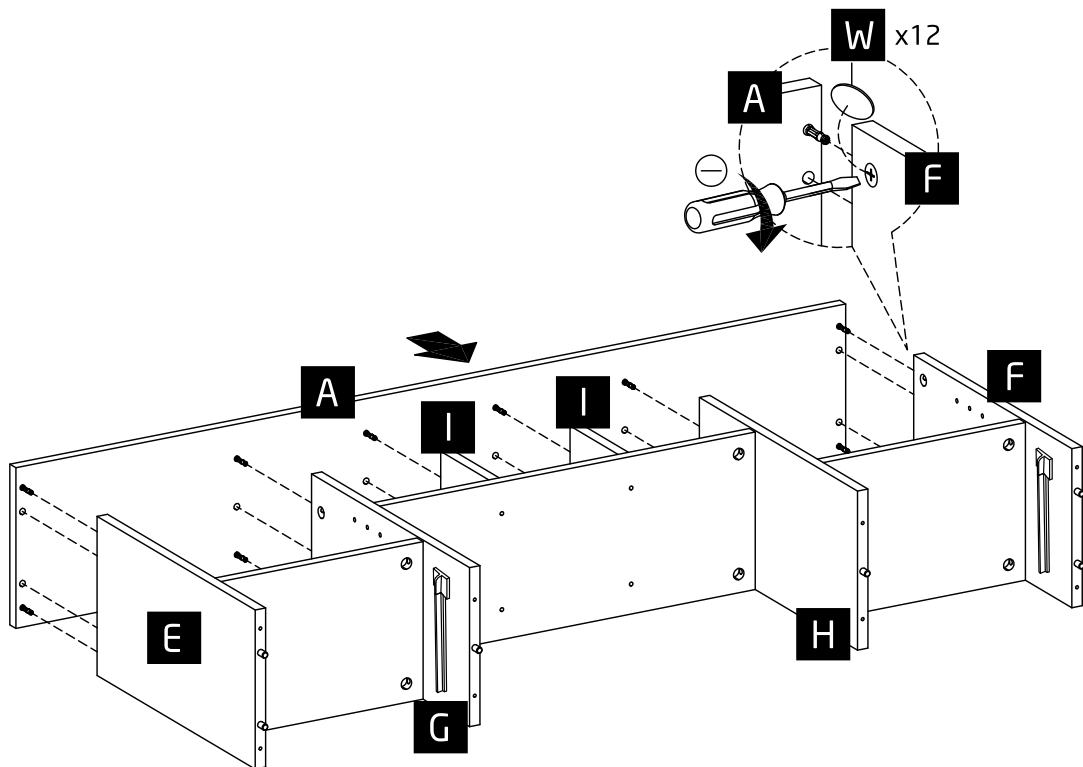


# 2120

12

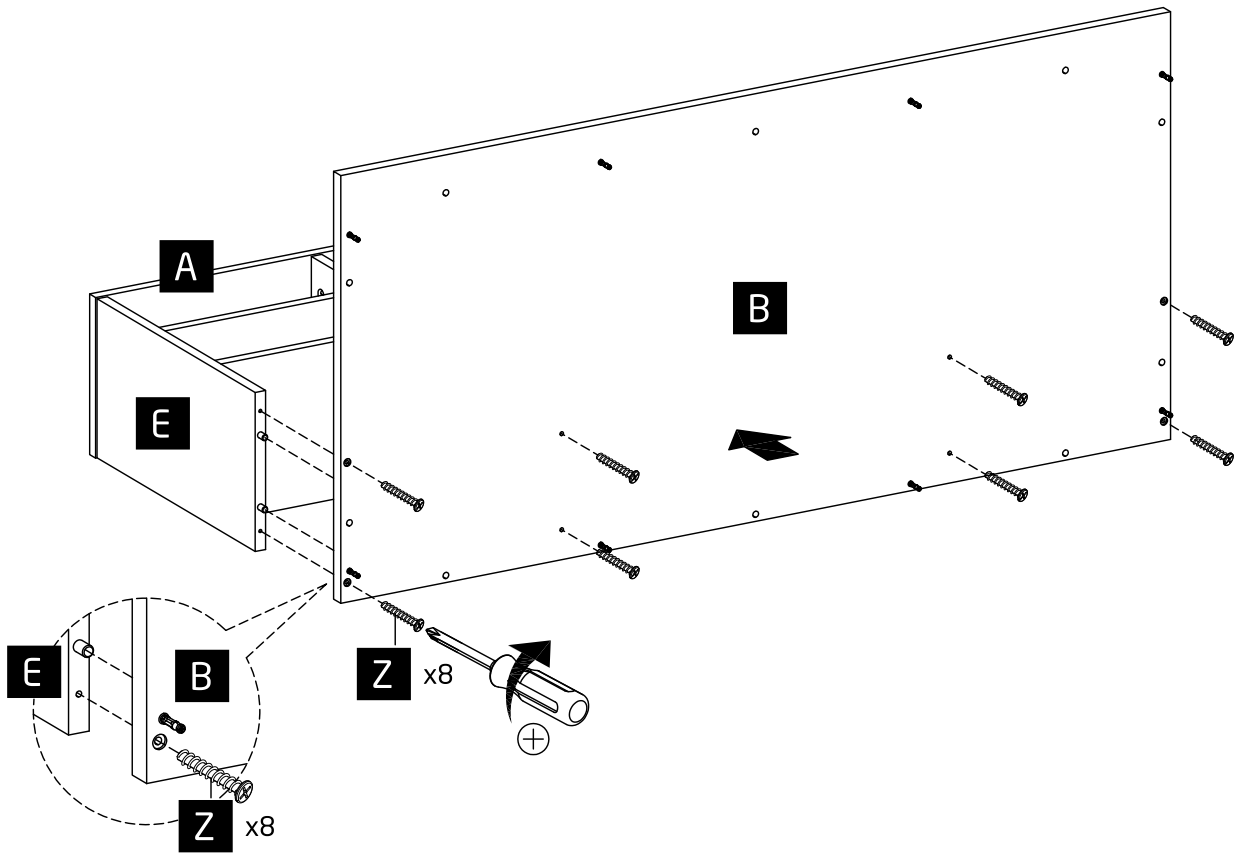


13

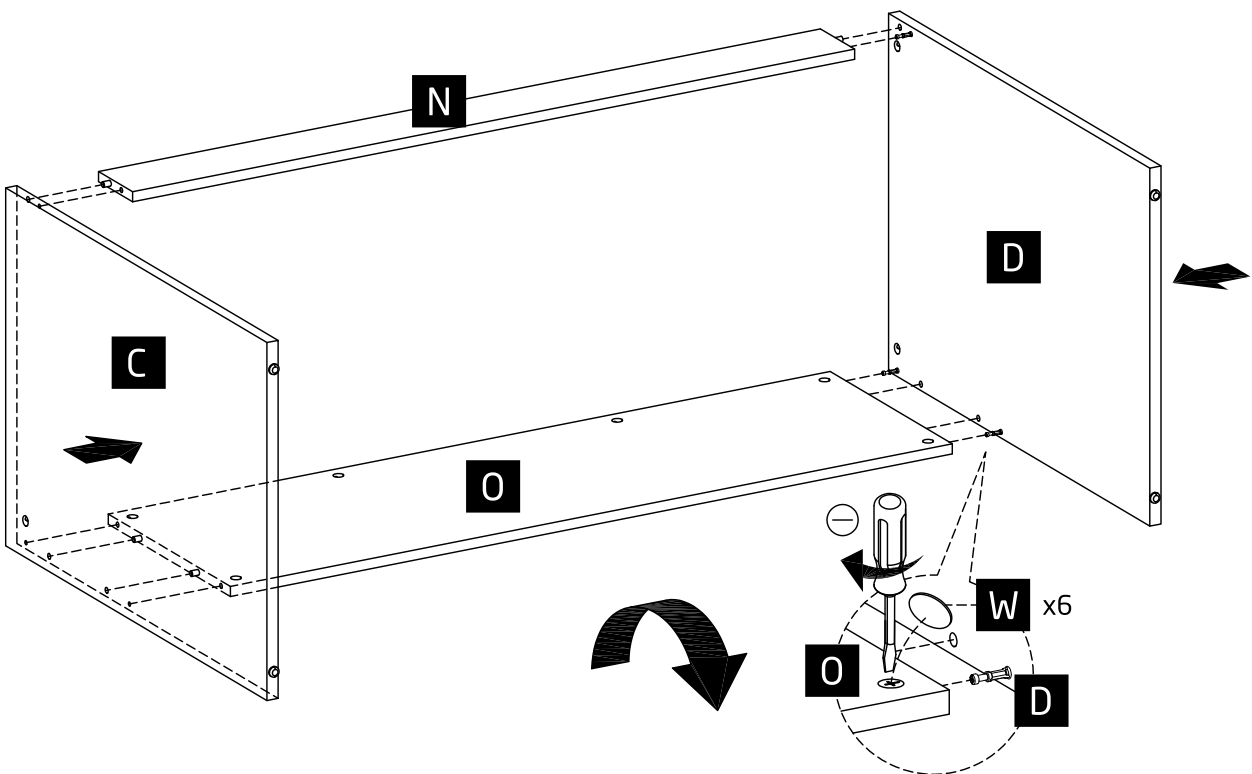


# 2120

14

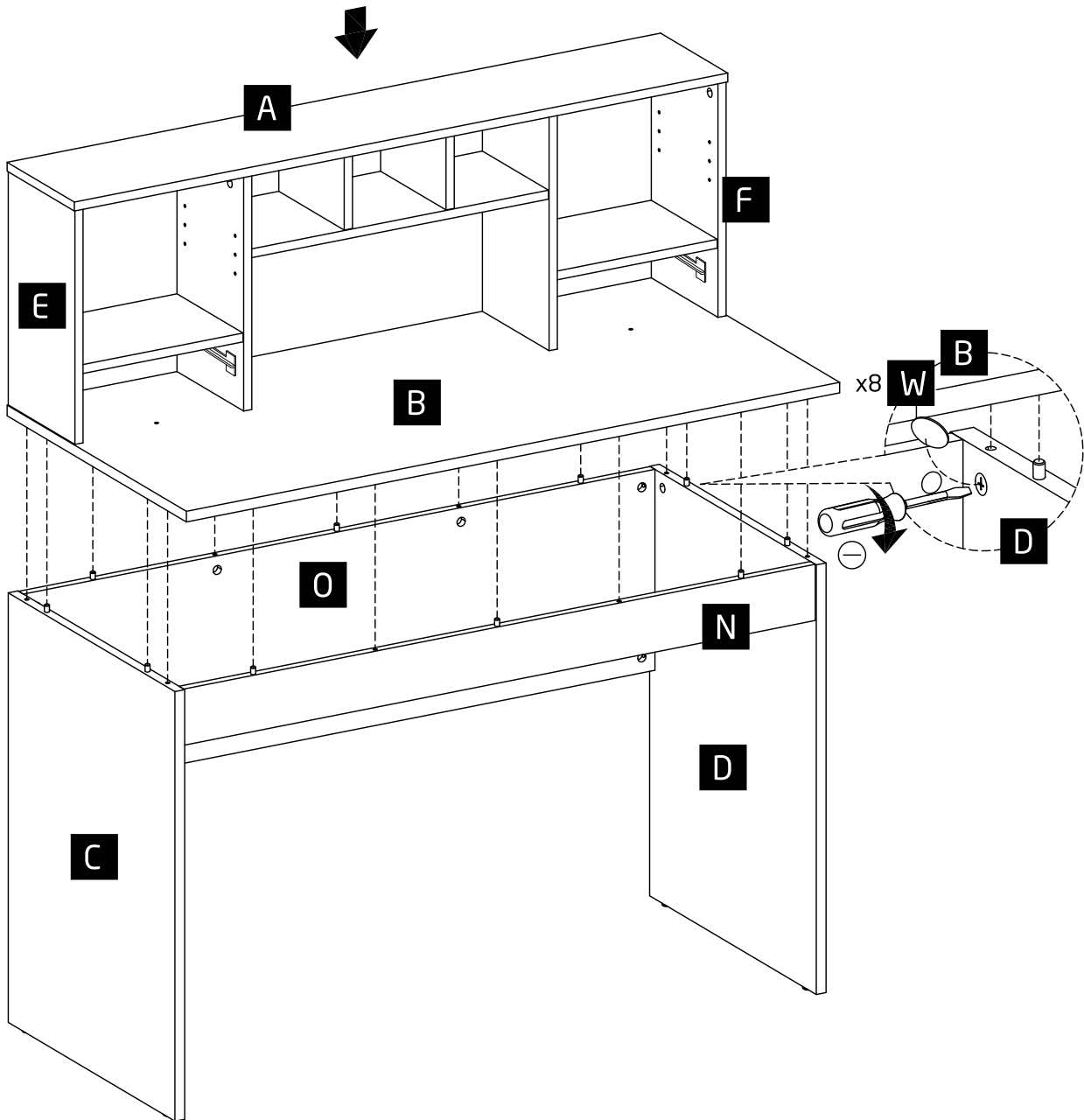


15



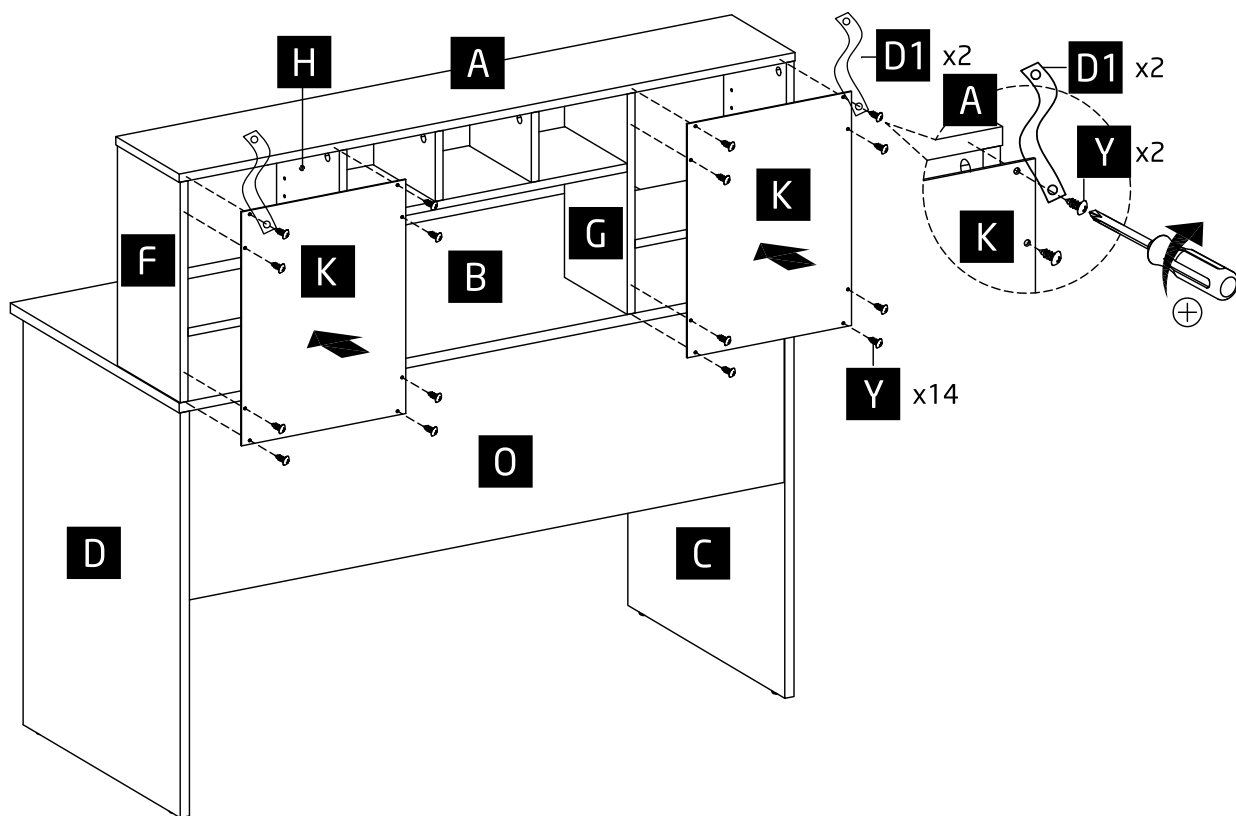
# 2120

16

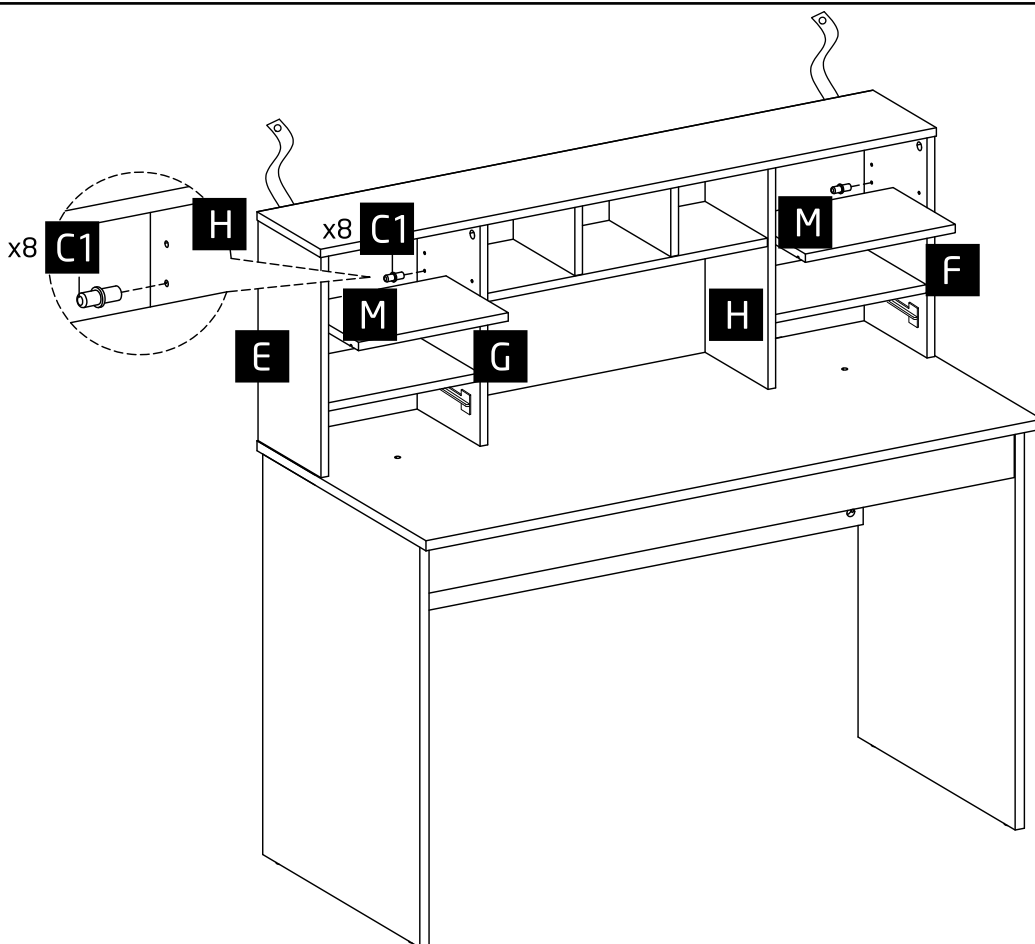


# 2120

17

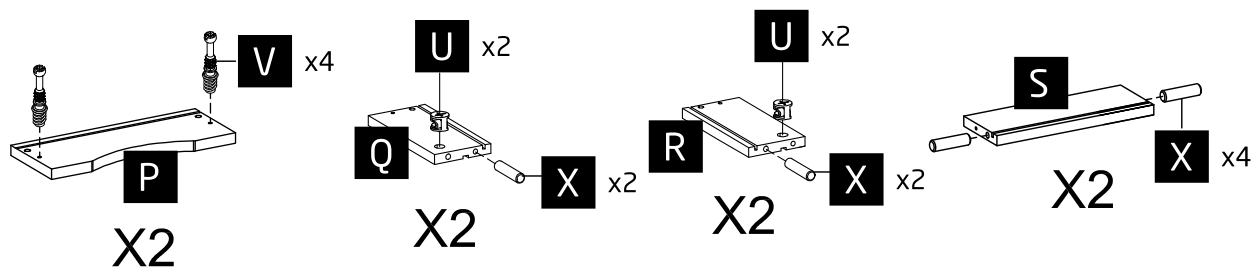


18

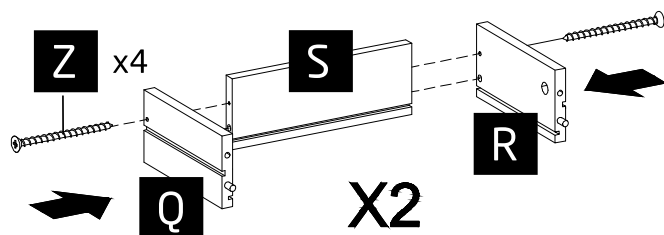


# 2120

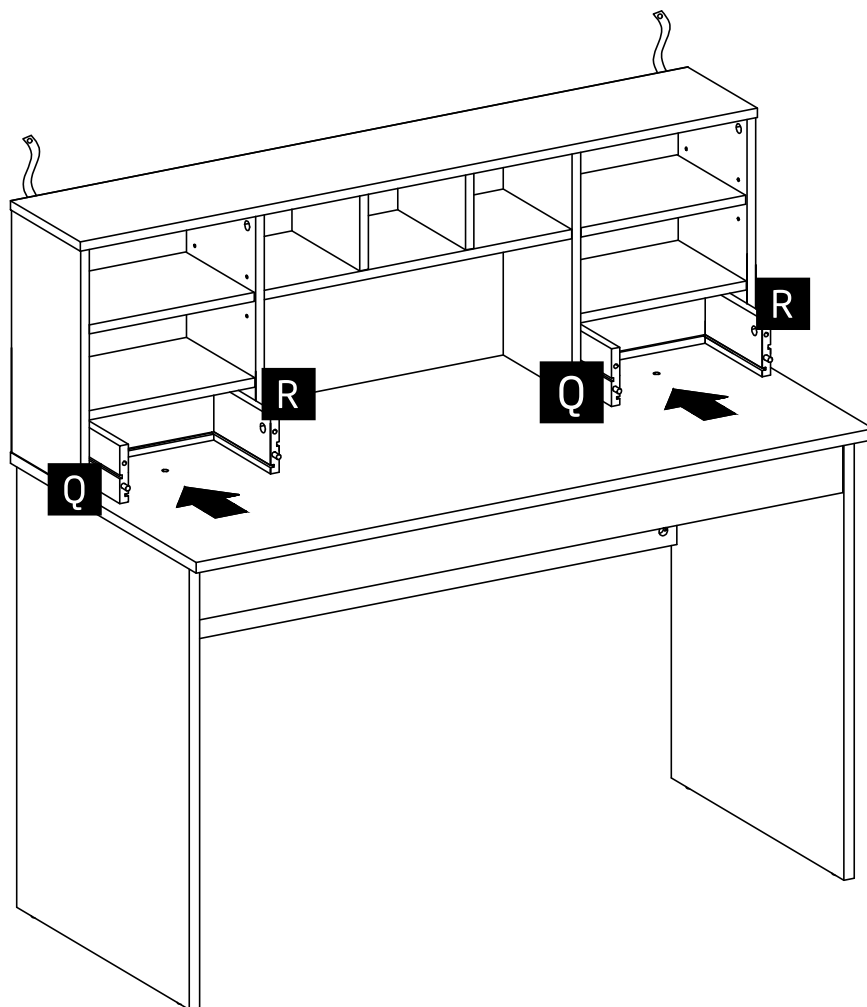
19



20

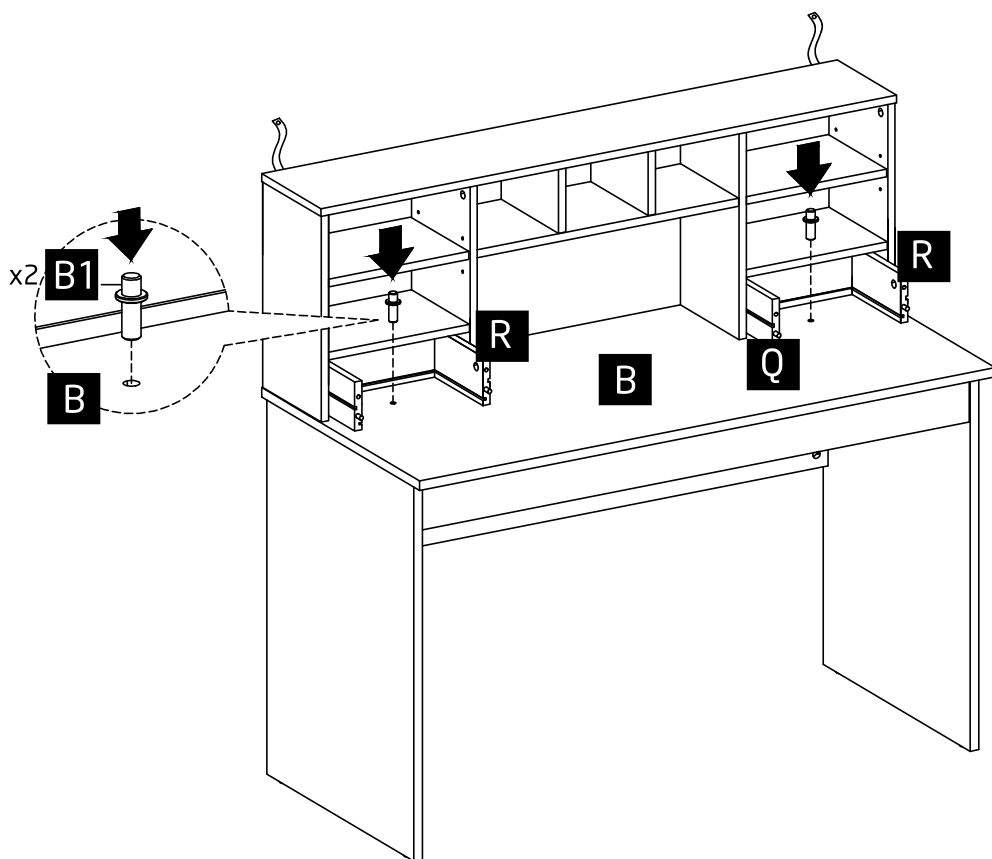


21

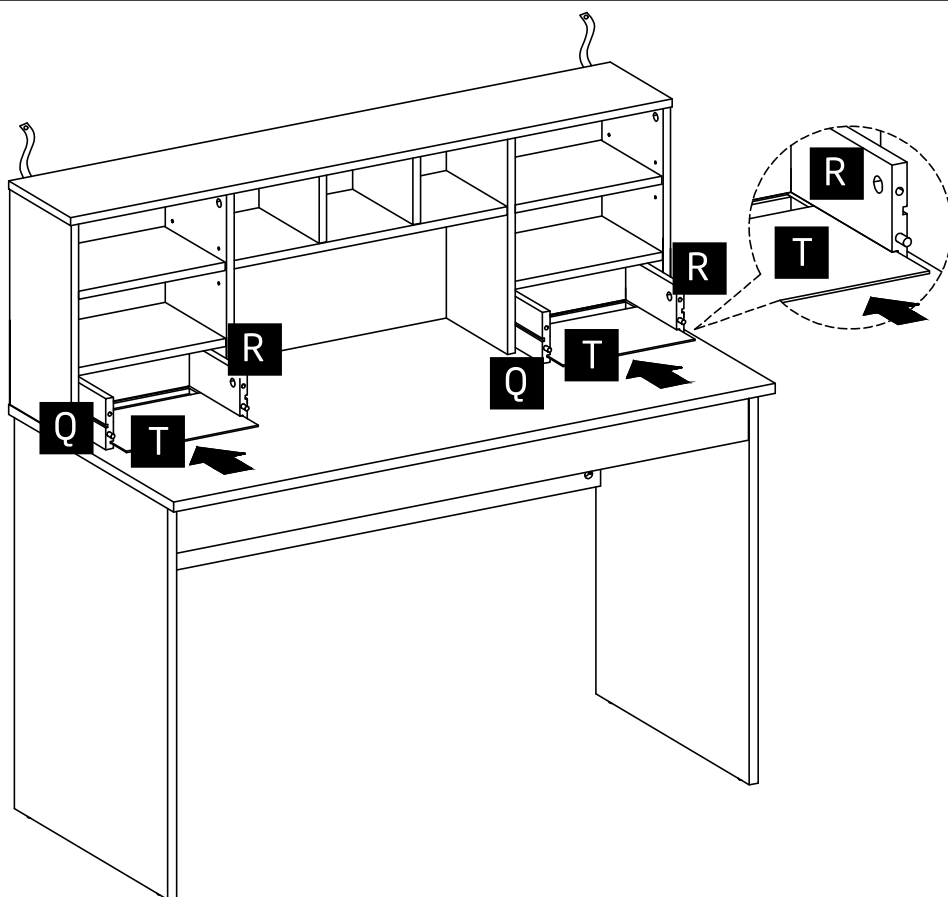


# 2120

22

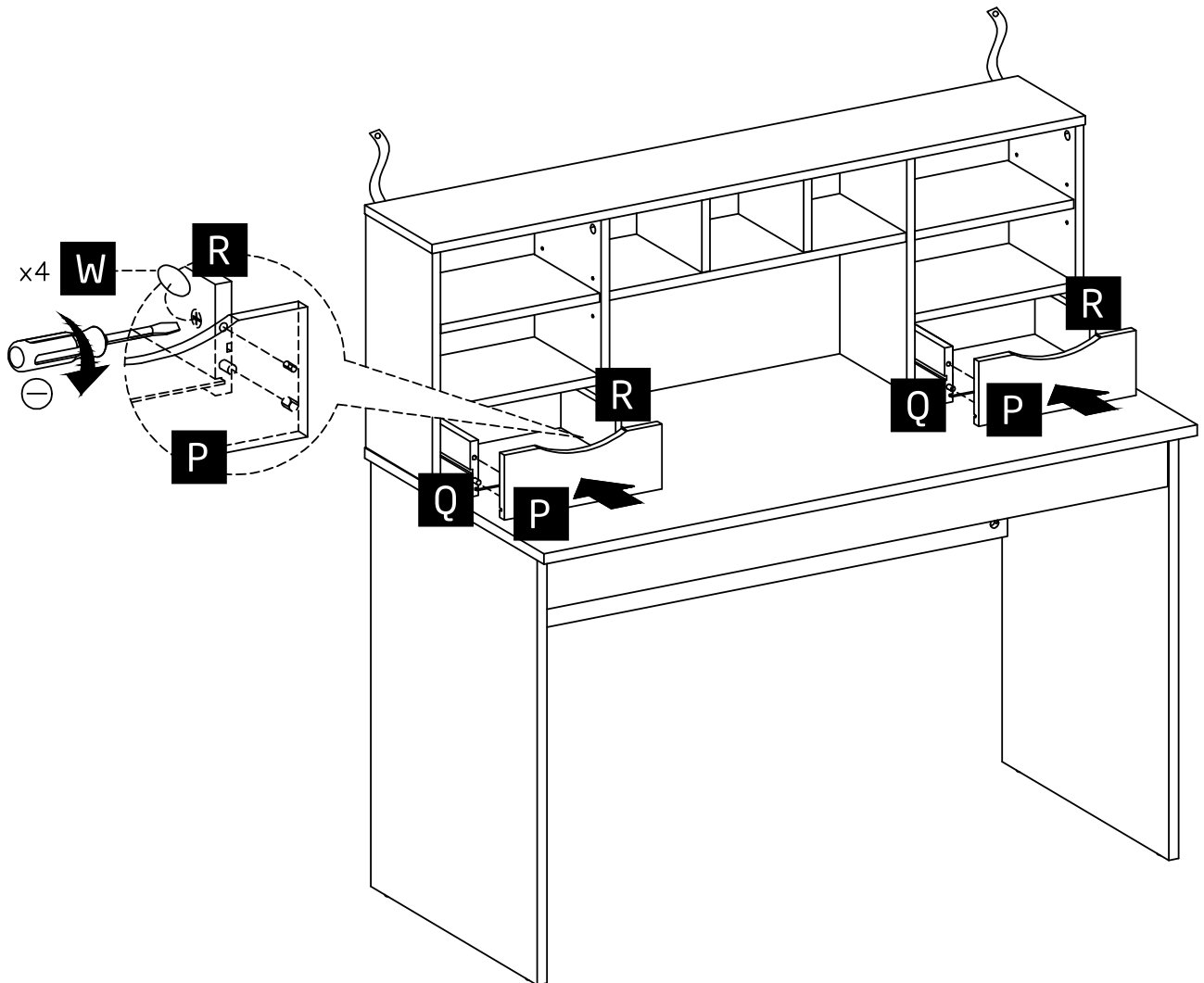


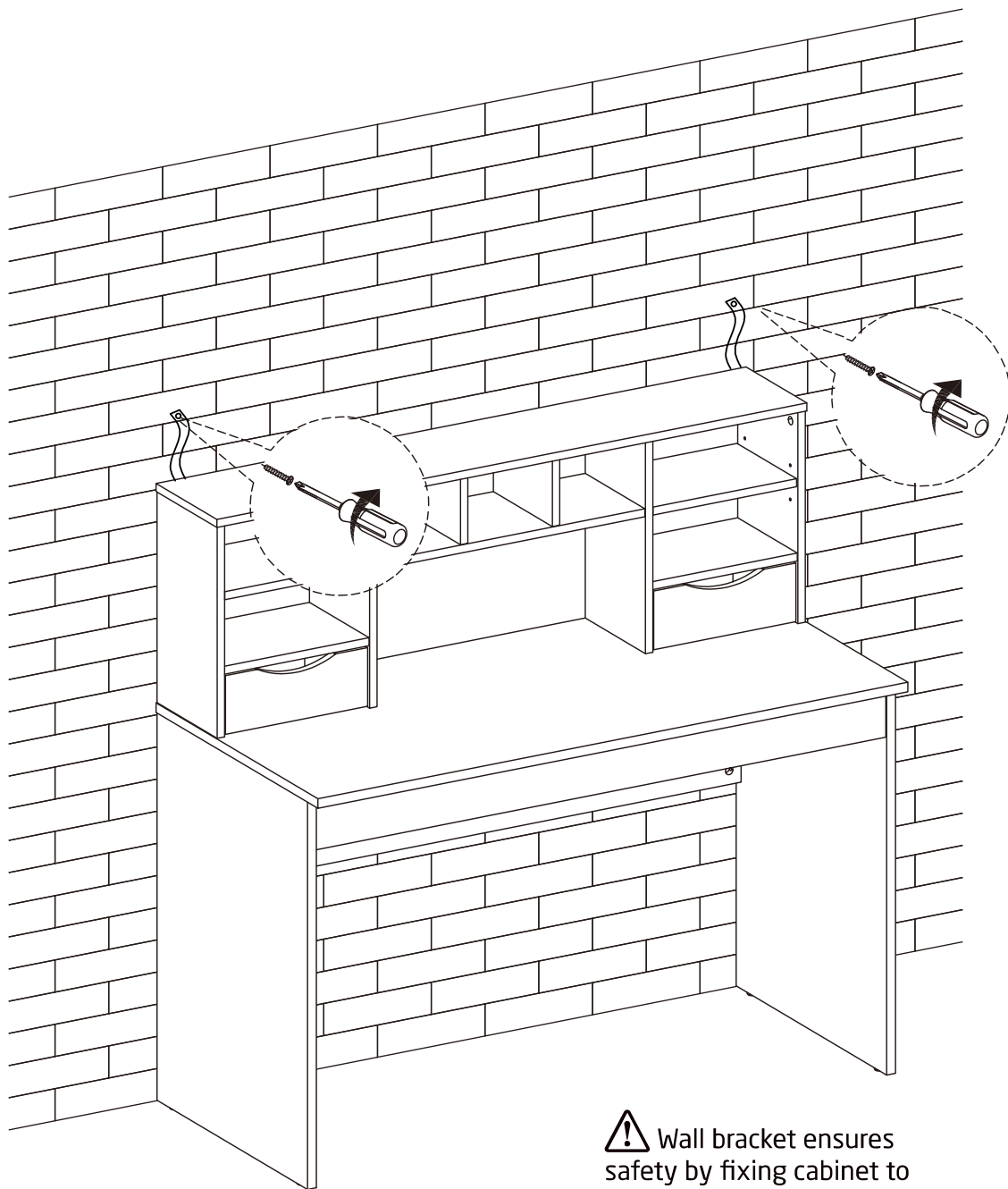
23




# 2120

24





 Wall bracket ensures safety by fixing cabinet to wall. This must be installed!

# 2120

## How to care for your wood furniture

Furniture with a hard lacquer, wax polish or painted surface should be dusted with a dry cloth.

Waxed furniture will need to be given a coat of beeswax a couple of times a year to help maintain its luster.

Spray polishers are best avoided as they contain silicones which may spoil the furniture's surface by building up over time.

Make sure all surfaces are protected from heat and liquids by mats and coasters. Wipe up spills immediately and ensure that a mat or a pad is placed under paper if you are writing.

Extendable dining tables should be left extended for the first few months to avoid an uneven appearance. Likewise, lamps and ornaments should also be moved regularly.

Our furniture will endure most temperatures in the home but it is best to avoid placing furniture next to heat sources such as radiators or fires. Be particularly careful with solid wood as the lack of humidity caused by heating can cause damage such as warping.

## Safety instructions

Never drag furniture when moving it, always lift it.

Periodically check all fittings to ensure none have come loose and re-tighten where necessary.

Please take care when handling or moving the furniture as careless handling may cause damage or injury.

Furniture can be dangerous if incorrectly installed. Assembly should be carried out by a competent person. No liability will be accepted for damage or injury caused by incorrectly installed or assembled furniture.

It is recommended that before moving heavy objects to a new location they are completely dis-assembled to avoid personal injury or damage to the furniture. Please be careful to retain all fittings when doing this.

PLEASE KEEP THESE INSTRUCTIONS FOR FUTURE REFERENCE