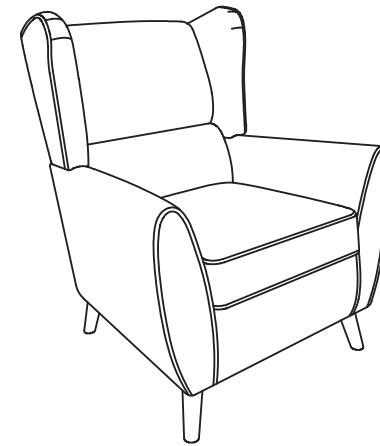
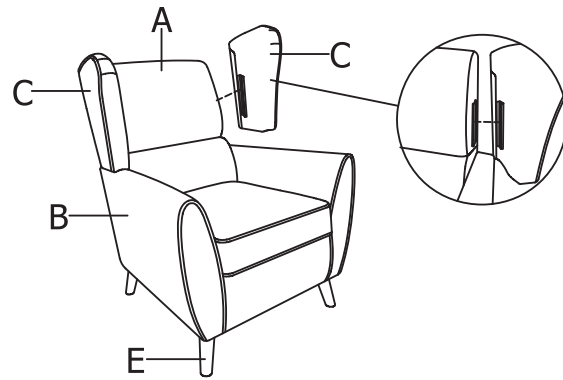
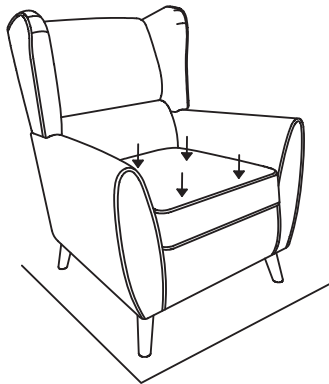


**STEP 4** Put the ears on the back.



**STEP 5** Adjust balance of this chair.



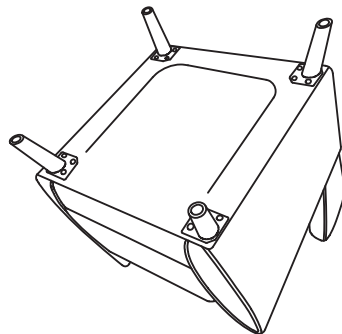
## KY552 CHAIR

Thank you for your purchase. The following care instructions will allow you to make the most of your chair; helping to prolong the look and life of it by preventing wear and damage.

### IMPORTANT INFORMATION

**PLEASE ENSURE YOU READ THIS LEAFLET BEFORE USING YOUR CHAIR. DO NOT DISCARD OF ANY PACKAGING UNTIL YOU HAVE CHECKED THE PRODUCT THOROUGHLY.**

**STEP 6** Zip back up the non-woven cloth and stand chair up.



FABRIC CONTENT  
MAIN FABRIC 100% POLYESTER  
OTHER FABRIC (VISIBLE)  
NON-WOVEN FABRIC 100% POLYESTER

### CARING FOR YOUR CHAIR

- Pre-brush fabric with a soft brush and then gently vacuum.
- Plump any accent/removable cushions regularly to prevent them becoming mis-shaped or flat.
- Use a microfibre cloth to remove dust from wooden surfaces.
- In the event of a spill or stain, use specialist upholstery cleaner or cleaning services.


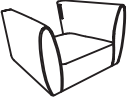
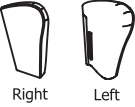





### SUNLIGHT AND HEAT DAMAGE

- Avoid contact with direct sunlight. If needed move items or change their position to avoid the same area being exposed to repeated sunlight/heat.
- Do not place your chair close to fire places and/or radiators.
- Hot objects such as mugs/plates can permanently mark the fabric and wood, avoid placing these on the chair.

## SAFETY WARNINGS

- Do not allow children or pets to climb or jump on the chair or through the arms.
- Avoid contact with sharp objects such as buckles, toys and jewellery as these can easily snag, tear and/or pull the fabric.
- Avoid the risk of entrapment by using the chair as intended; sitting facing forward on the seat.
- Keep small parts away and out of reach of children and pets.

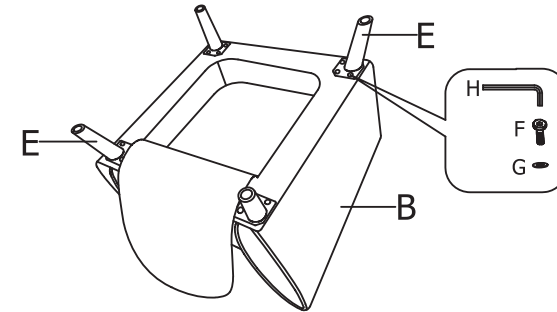
## PARTS LIST

IMAGE	DESCRIPTION	PART NO.	QTY
	Back	A	1
	Seat	B	1
	Ear	C	2
	Cushion	D	1
	Legs	E	4
 M8*25MM	Screw	F	12
	Flat Washer	G	12
	Allen key	H	1

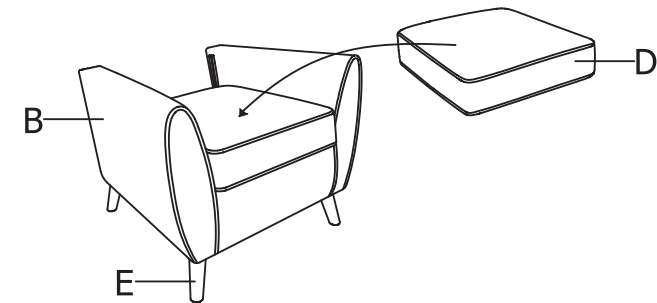
## ASSEMBLY INSTRUCTIONS

Unpack your chair and check that all the parts on the Parts List are present - these may be in a zip compartment within the Seat base. If any are missing, please contact the retailer from whom you purchased the product.

**STEP 1** Attach the four legs to the chair by putting screws in holes.



**STEP 2** Place the seat cushion on the chair.



**STEP 3** Put the back on the chair.

