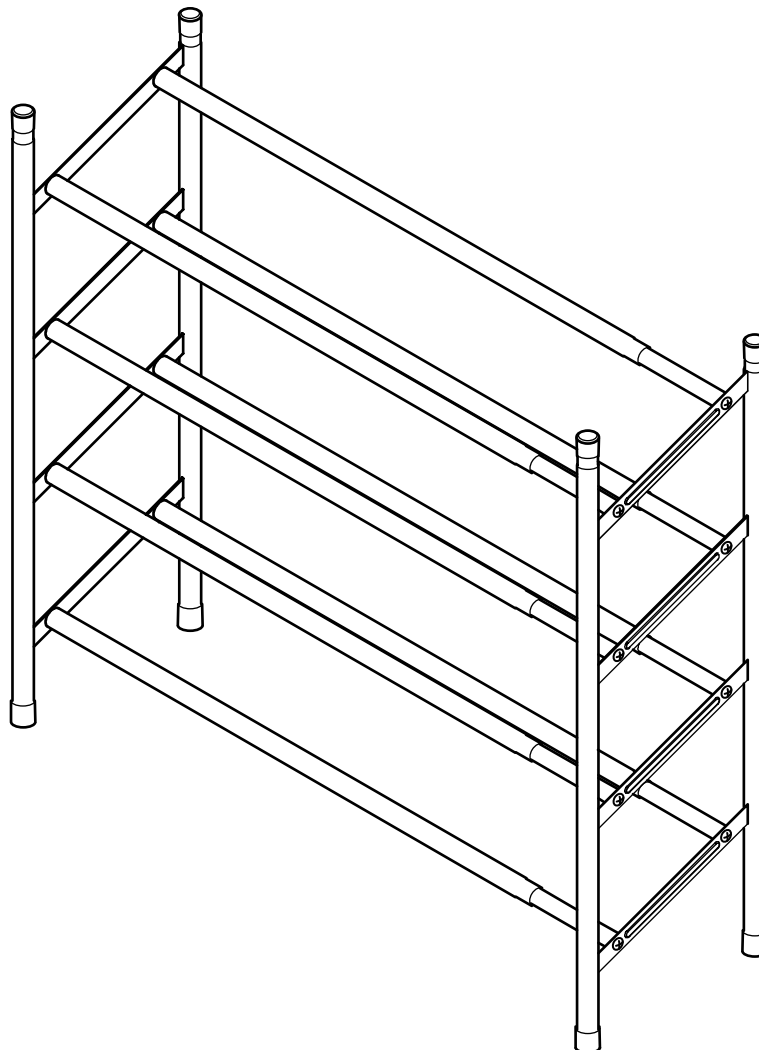


# 4 Tier Extendable Shoe Rack

Assembly Instructions - Please keep for future reference

875/9047



## Dimensions

Width - 63-118cm

Depth - 22.7cm

Height - 66.5cm

**Important – Please read these instructions fully before starting assembly**

If you need help or have damaged or missing parts, call the **Customer Helpline: 08456 400800**



# Safety and Care Advice

**Important - Please read these instructions fully before starting assembly**

- Check you have all the components and tools listed on page 2.

- Remove all fittings from the plastic bags and separate them into their groups.

- Keep children and animals away from the work area, small parts could choke if swallowed.

- Make sure you have enough space to layout the parts before starting.

- Do not stand or put weight on the product during assembly, this could cause damage.

- Assemble on a soft level surface to avoid damaging the Shoe rack or your floor.

- Parts of the assembly will be easier with 2 people.



- We do not recommend the use of power drill/drivers **for**

**inserting screws**, as this could damage the unit.

Only use hand screwdrivers.

- Dispose of all packaging carefully and responsibly.

## Care and maintenance

- Only clean using a damp cloth and mild detergent, do not use bleach or abrasive cleaners.

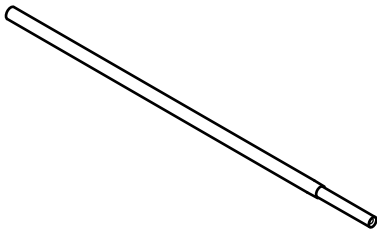
- From time to time check that there are no loose screws on this Shoe rack.

- This product should not be discarded with household waste. Take to your local authority waste disposal centre.

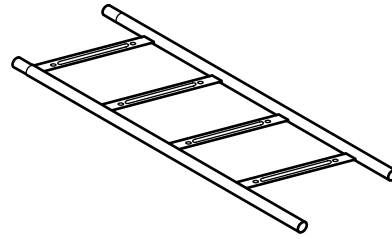
# Components - Parts

If you have damaged or missing components, call the **Customer Helpline: 08456 400800**

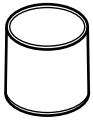
Please check you have all the fittings listed below



**1** Extendable tube x 8



**2** Side frame x 2



**3** Upper end plug x 4

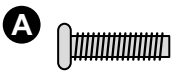


**4** Lower end plug x 4

# Components - Fittings

Please check you have all the fittings listed below

**Note:** The quantities below are the correct amount to complete the assembly. In some cases more fittings may be supplied than are required.



20mm Screw x 16

## Tools required



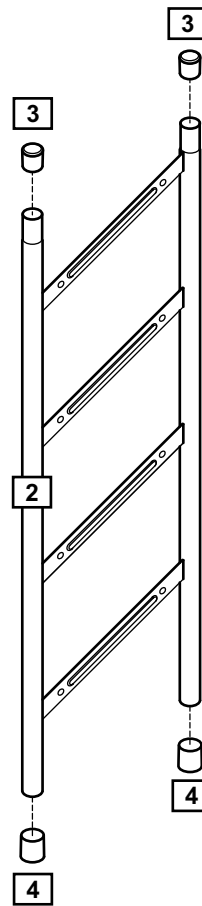
# Assembly Instructions

## Step 1

Insert the Upper end plugs **3** into the top of the Side frame **2**.

Insert the Lower end plugs **4** into the bottom of the Side frame **2**.

Repeat the above processes for the second Side frame **2**.

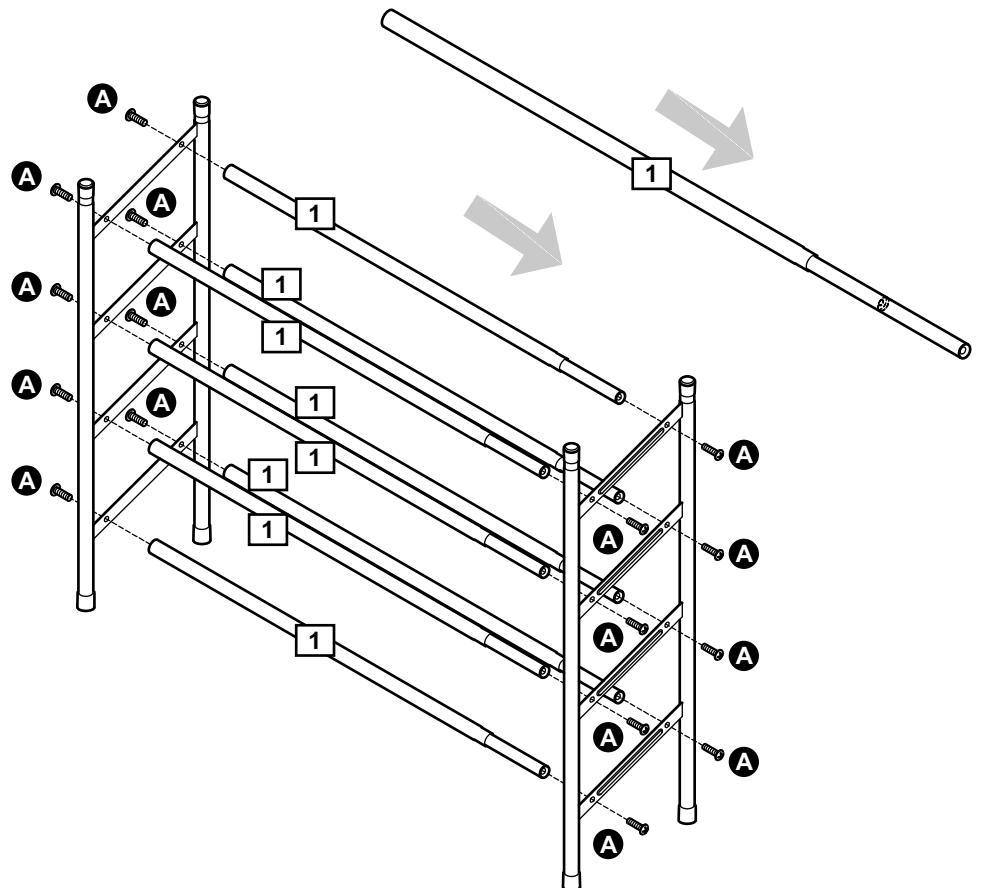


## Step 2

*Note:* It would be useful to ask someone to help you at this stage.

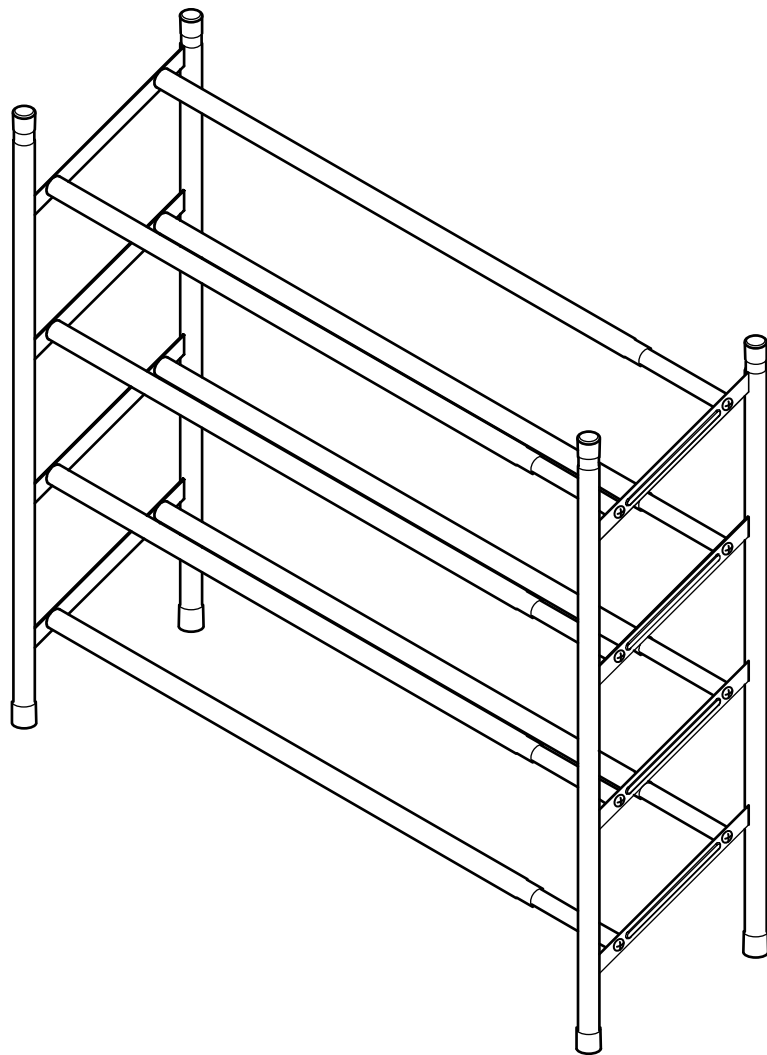
Fix the Extendable tubes **1** to the Side frame using Screws **A**.

Repeat the above process for the second Side frame **2**.



# Assembly Instructions

**Assembly is complete.**



If you need help or have damaged or missing parts, call the **Customer Helpline: 08456 400800**