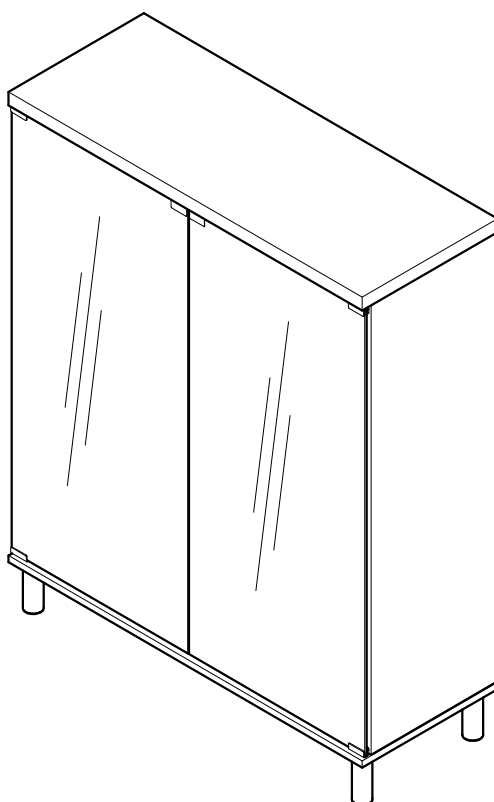


Hygena Milan shoe storage

Assembly Instructions – Please keep for future reference

875/8770



Dimensions

Width – 91.5 cm

Depth – 35 cm

Height – 114.5 cm



Note: Two people required for assembly.

Important – Please read these instructions fully before starting assembly

If you need help or have damaged or missing parts, call the Customer Helpline: 08456 400800

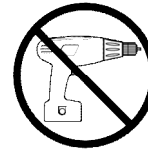


Safety and Care Advice

Important – Please read these instructions fully before starting assembly

- Check you have all the components and tools listed on pages 2 and 3.
- Remove all fittings from the plastic bags and separate them into their groups.
- Keep children and animals away from the work area, small parts could choke if swallowed.
- Make sure you have enough space to layout the parts before starting.

- Do not stand or put weight on the product, this could cause damage.
- Assemble the item as close to its final position (in the same room) as possible.
- Assemble on a soft level surface to avoid damaging the unit or your floor.
- Parts of the assembly will be easier with 2 people.



- We do not recommend the use of power drill/drivers *for inserting screws*, as this could damage the unit. Only use hand screwdrivers.
- Dispose of all packaging carefully and responsibly.

Glass safety – Take care when handling glass, please follow the advice below

- This product complies with BS EN 14749:2005.
- If a glass component is chipped or broken, stop using the product and consult the manufacturer or supplier.
- Do not sit or stand upon horizontal glass surface(s).
- Do not use the glass as a chopping surface.

- Do not place very hot or very cold items on the glass surface(s) unless adequately thick table mats are used to prevent such items from coming into contact with the glass.
- Do not strike the glass with hard or pointed items.

- When cleaning glass panels use a damp cloth or leather with washing up liquid or soft soap if necessary.
- Do not use washing powders or any other substances containing abrasives since these substances scratch glass.

Care and maintenance

- Only clean using a damp cloth and mild detergent, do not use bleach or abrasive cleaners.

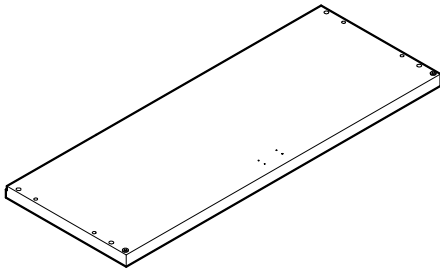
- From time to time check that there are no loose screws on this unit.

- This product should not be discarded with household waste. Take to your local authority waste disposal centre.

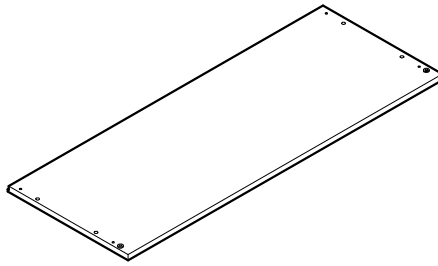
Note: if require the next page can be cut out and used as reference throughout the assembly. Keep this page with these instructions for future reference.

Components - Panels

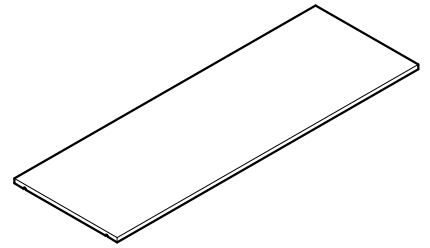
Please check you have all the panels listed below



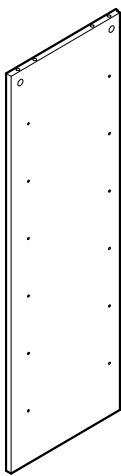
1 Top panel



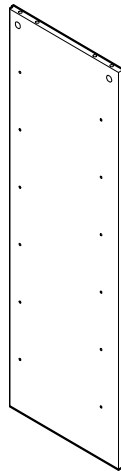
2 Base panel



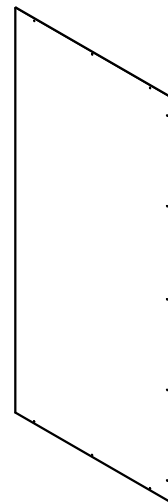
3 Adjustable shelf x 6



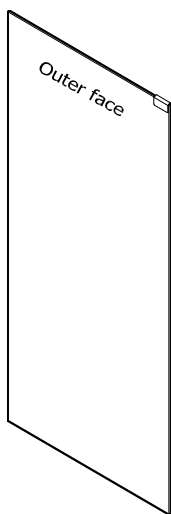
4 Left side panel



5 Right side panel



6 Back panel x 2



7 Left door



8 Right door

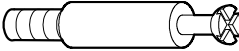
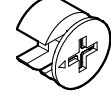


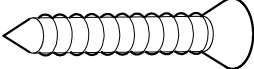
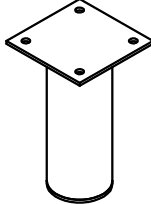
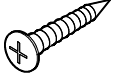
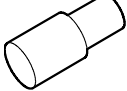

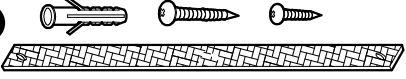
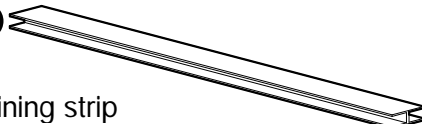
6

Components - Fittings

If you have damaged or missing components, call the Customer Helpline: 08456 400800

Please check you have all the fittings listed below

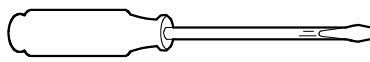
Note: The quantities below are the correct amount to complete the assembly. In some cases more fittings may be supplied than are required.

<p>A </p> <p>Metal dowel x 4</p>	<p>B </p> <p>Metal cam x 4</p>	<p>C </p> <p>Wood dowel x 8</p>
<p>D </p> <p>Φ 3 x 14mm Screw x 22</p>	<p>E </p> <p>40 mm Screw x 4</p>	<p>F </p> <p>Foot x 4</p>
<p>G </p> <p>Φ 3.5 x 14mm Screw x 16</p>	<p>H </p> <p>Shelf pin x 24</p>	
<p>I </p> <p>Magnet package x 1 set</p>	<p>J </p> <p>Webbing and screw x 2</p>	<p>K </p> <p>Joining strip</p>

Tools required

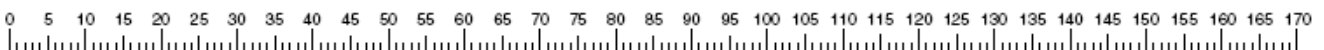


Philips screwdriver



Flatblade screwdriver

Ruler - Use this ruler to help correctly identify the screws



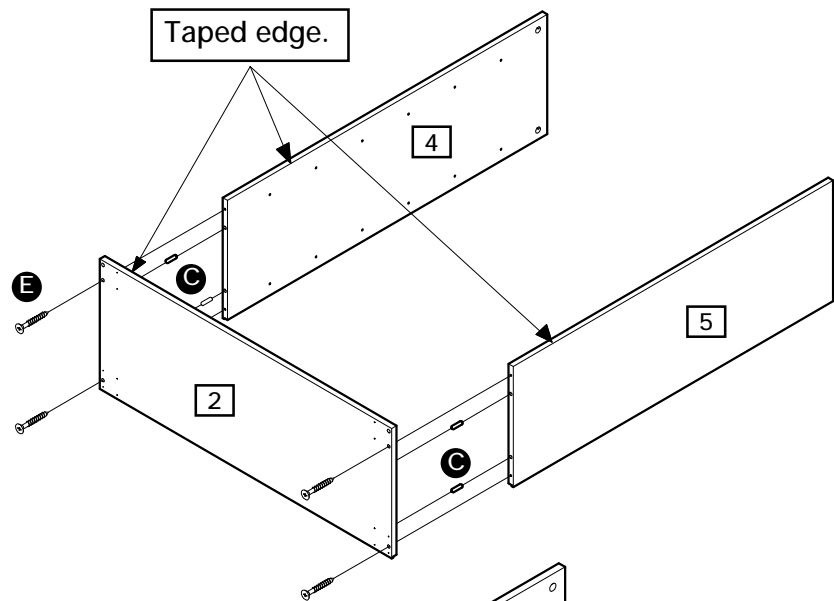
Assembly Instructions

Step 1

Place the Side Panels **4** & **5** on a flat surface, as shown.

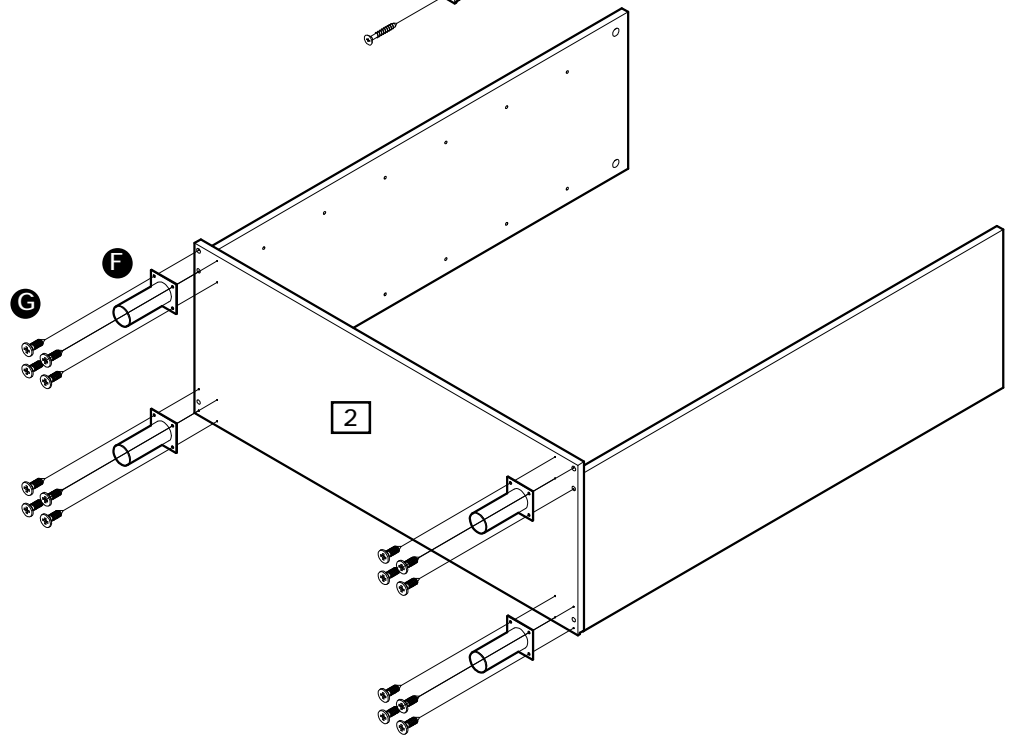
Insert two Wood dowels **C** into the middle end holes in each Side panel.

Locate Base Panel **2** onto the ends of Side Panels **4** & **5** and secure with 4 Screws **E**.



Step 2

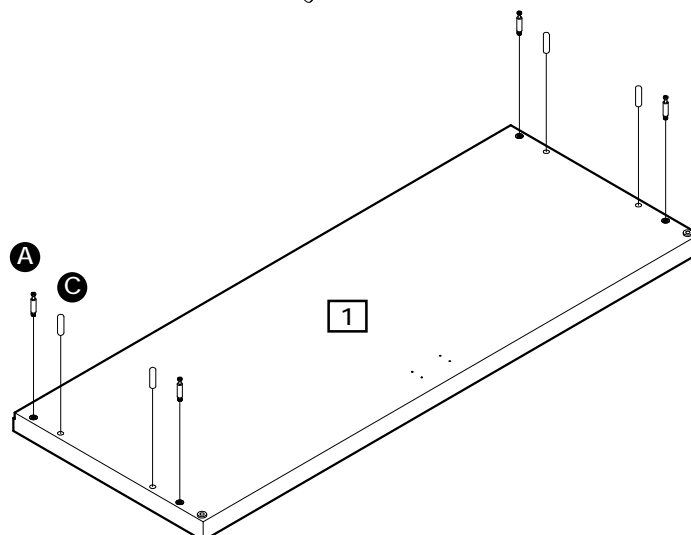
Screw 1 Foot **F** to the pre-drilled holes in each corner of Base panel **2**, using Screws **G**.



Step 3

Screw 4 Metal dowels **A** into the threaded holes in Top Panel **1**, as shown.

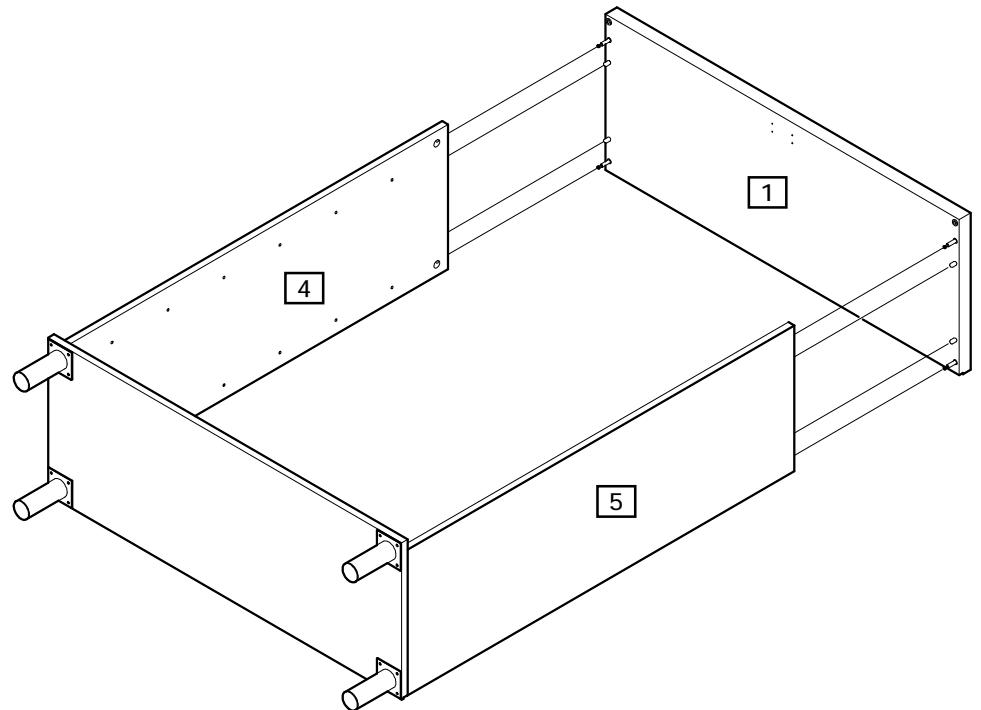
Insert Wood dowels **C** into the middle holes in Top panel.



Assembly Instructions

Step 4

Firmly push the Top Panel **1** onto the ends of Side panels **4** and **5**, ensuring the Metal dowels **A** and wood dowels **C** enter corresponding holes.



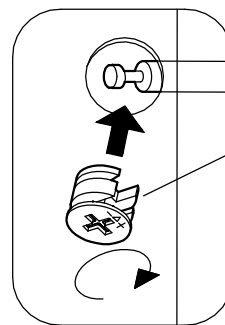
Step 5

Insert the 4 Metal Cams **B** into the 4 holes on Side Panels **4** & **5** so that they are flush.

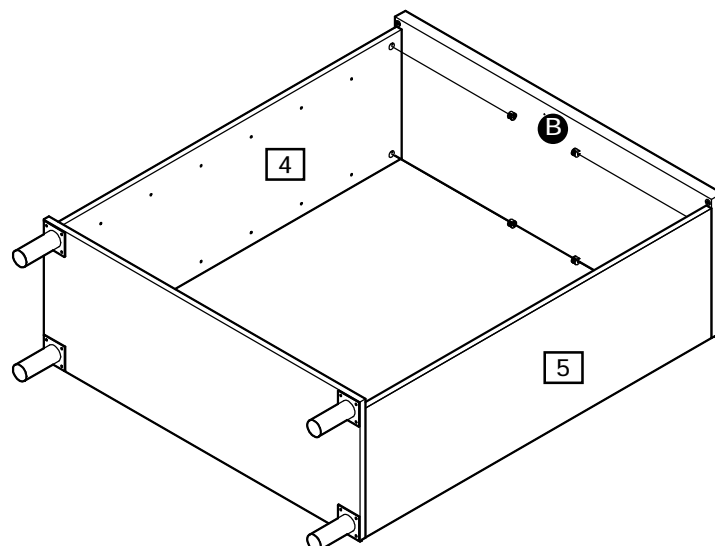


Note: Longer leg of the cross on the Metal Cams must face towards end of panel (as shown).

Then, using a Philips Screwdriver, screw all 4 Metal Cams **B** clockwise until they are 'hand tight'.



Note: Longer leg of the cross on the Metal Cams must face towards end of panel.



Assembly Instructions

Step 6

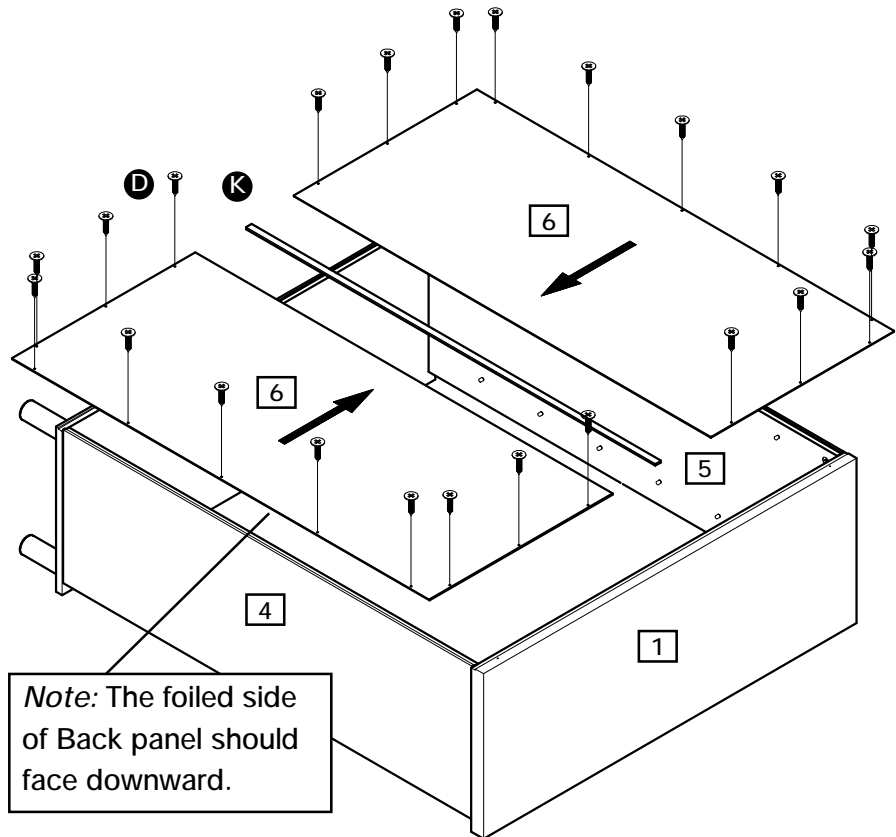
Lay the unit on its face.

Fit Back panels **6** into the Joining strip **K**.

Secure Back Panels **6** into the recess on the rear edges of Panels **1**, **2**, **4** & **5** using 22 Screws **D**.



Note: The foiled side of Back panel should face downward (as shown).



Step 7

Stand the unit upright.

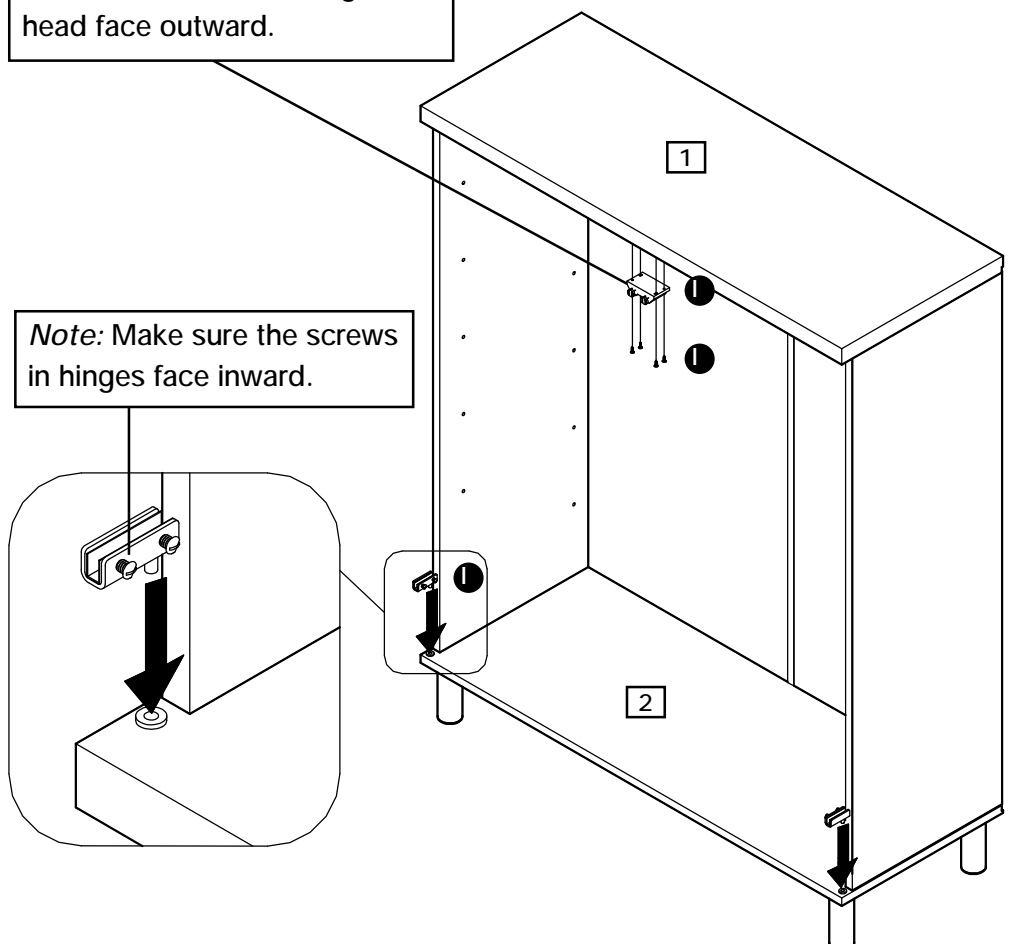
Screw Magnetic catch **L** to the pre-drilled holes in the underside of Top panel **1**, using Screws **L**.



Note: Make sure the magnetic head face outward.

Note: Make sure the magnetic head face outward.

Note: Make sure the screws in hinges face inward.



Step 8

Push the 2 Door hinges **L** into the fixed tube in Base panel **2** as shown.

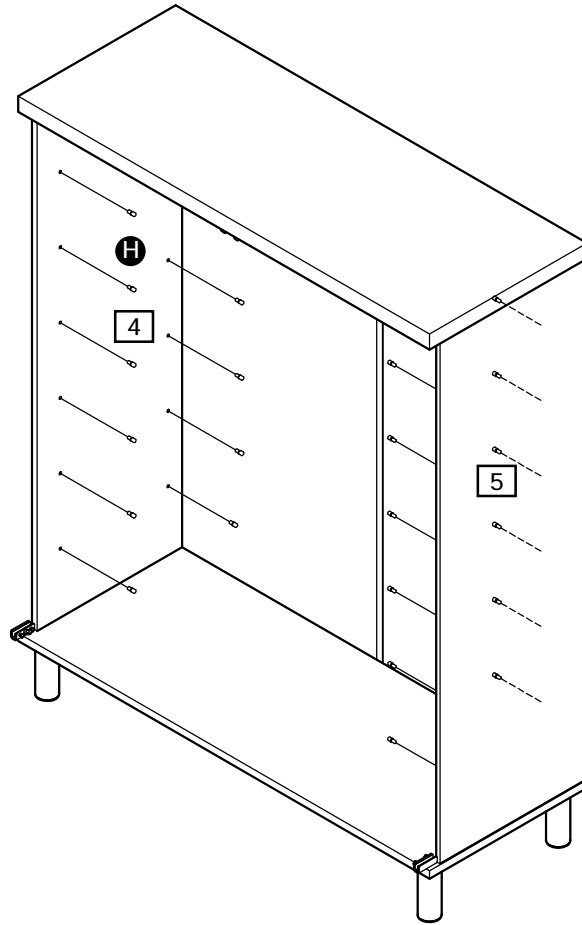


Note: Make sure the screws in hinges face inward.

Assembly Instructions

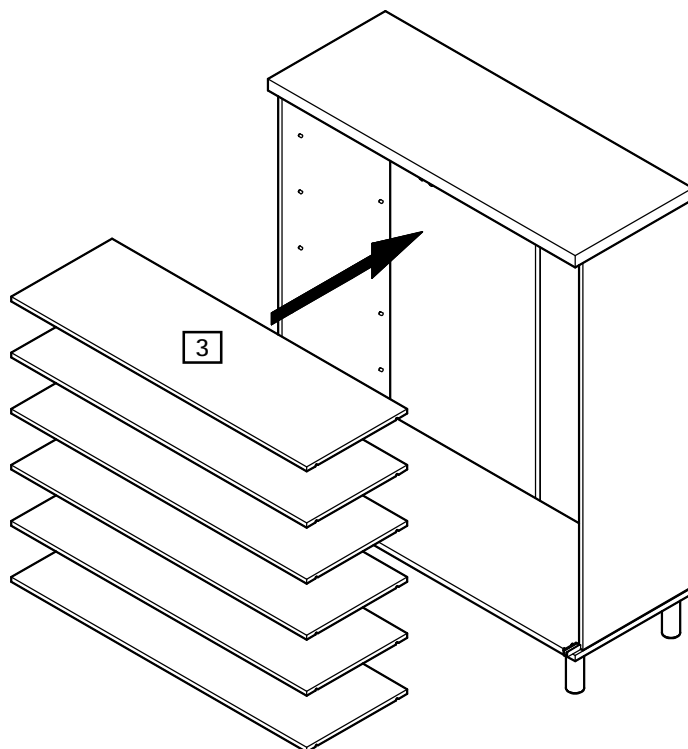
Step 9

Push 24 Shelf Pins **H** into Side Panels **4** & **5** at shown.



Step 10

Slide the 6 Adjustable shelves **3** onto the Shelf pins **H**.



Assembly Instructions

Step 11

Slide Hinges ① onto the top edge of Doors ⑦ & ⑧ and secure by screwing the screws.



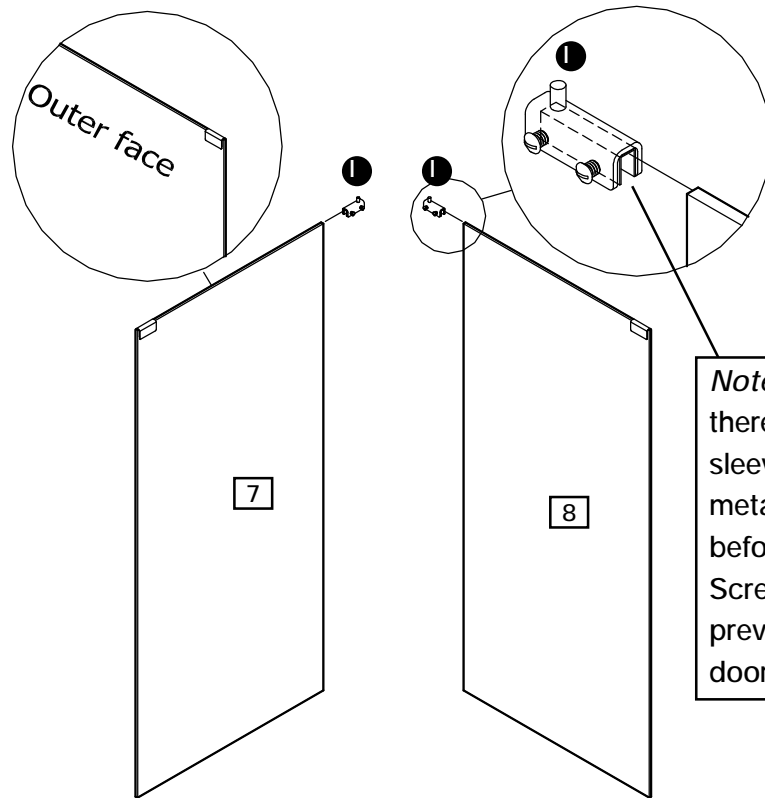
Note: 'Outer' label on door, must be on outside.

outside.



Note: Make sure the screws in

hinges face inward as shown. Make sure there is a plastic sleeve within the metal bracket before screwing as shown. Screw gently to prevent the glass door from break.



Note: Make sure there is a plastic sleeve within the metal bracket before screwing. Screw gently to prevent the glass door from break.

Step 12

Insert the pin of Hinges into the fixed tube in the underside of Top panel ① .

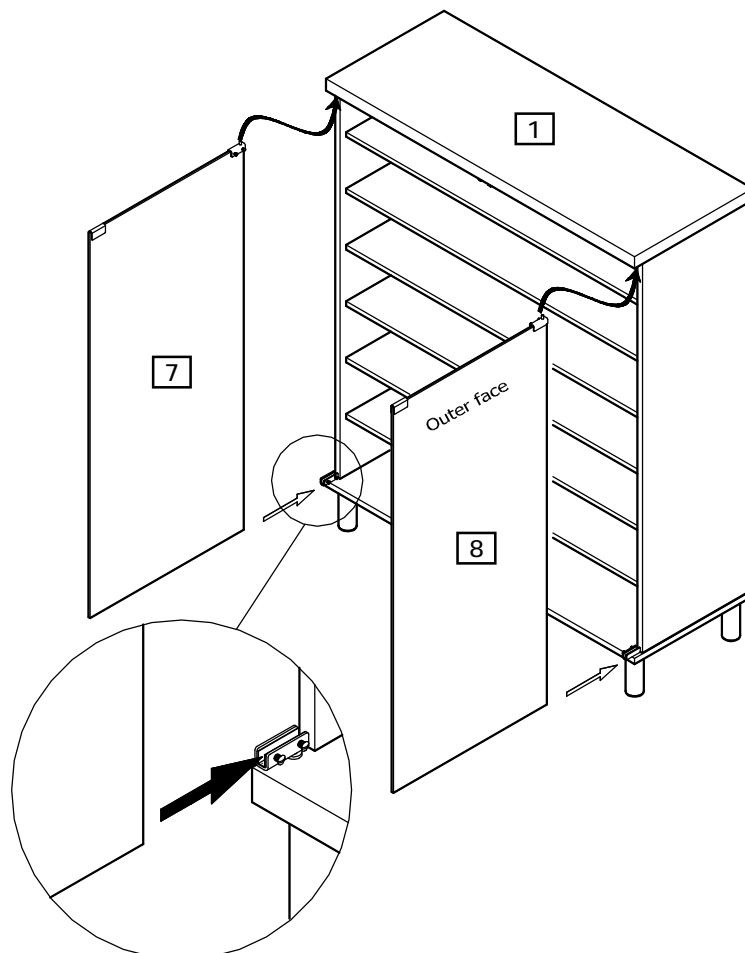
Slide the bottom corner of Left side Door ⑦ into the bottom hinges.

Secure the door by screwing the screws in hinges.



Note: Screw gently to prevent the glass door from break.

Repeat this step to assemble Right Side door ⑧ .



Assembly Instructions

Step 13

Adjusting the doors

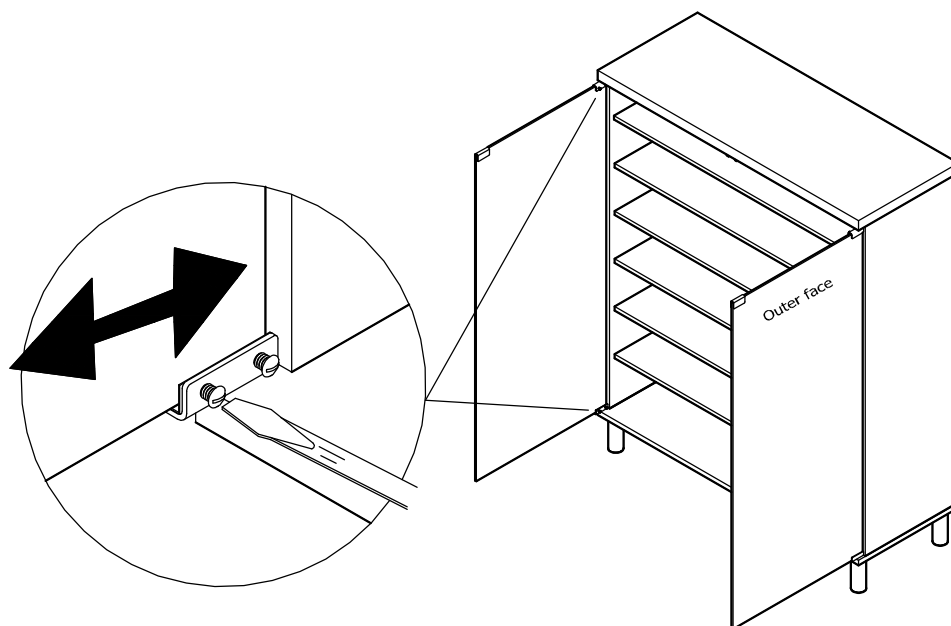
Note: This step will be easier with 2 people.

Note: Before adjusting the doors please make sure the cabinet is in its final position and make sure it is level.

Loosen the screws in the hinge. Push the door inward or outwards slightly, and retighten screws as illustrated.

Close the door to check the alignment, and adjust again if necessary.

Adjust the other hinges to make sure the space around the door is even and the two doors are line up with each other.



Assembly Instructions

Step 14



Note: This Step is for securing the Unit to a wall and should only be attempted by experienced persons.

You will Need the Following:

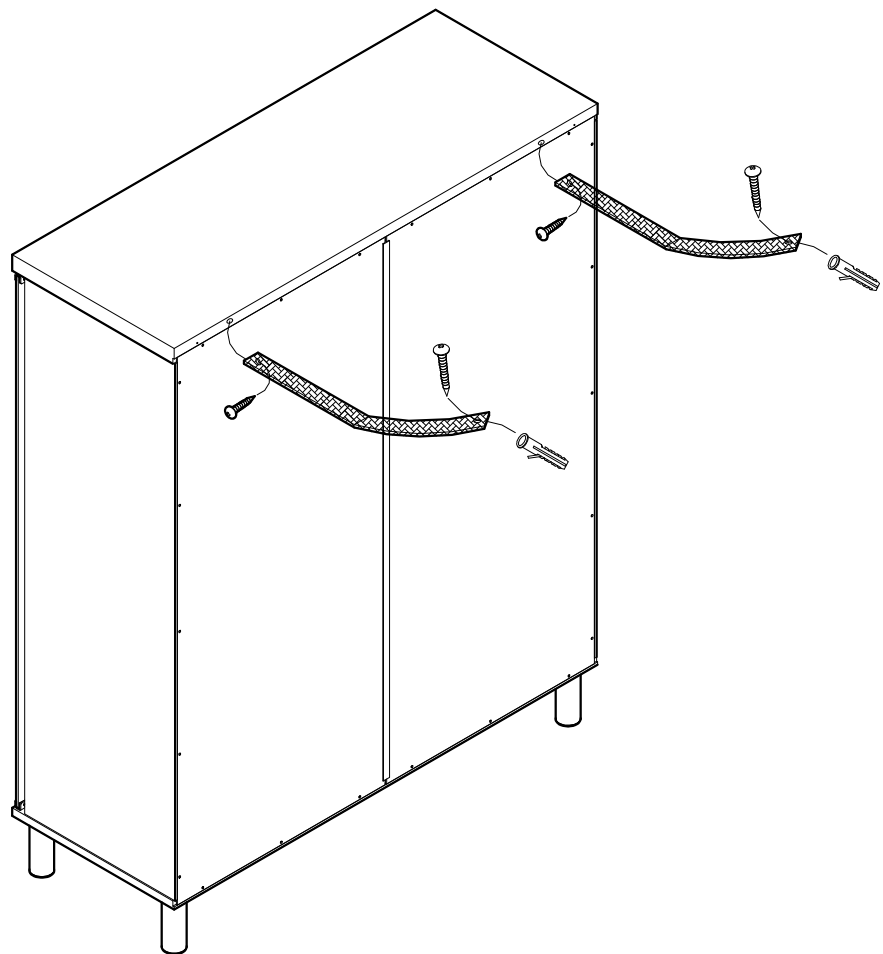
- Another person to assist you
- Electric Drill (& Drill Bits)
- Screwdriver

Fixings Supplied:

- 2 Webbings
- 2 Small Wood Screws
- 2 Large Wall Screws
- 2 Wall Plugs



Note: The fixings described are for use with solid masonry walls only. Alternative fixings should be purchased if you have a different wall construction.



Assembly is complete.

If you need help or have damaged or missing parts, call the Customer Help Line: 08456 400800
Shaw Spencer Hometrading Ltd. 34-38 Vale Road, Bushey. WD23 2HE.

A Guide to - Wall Mounting & Fixings

Important note:

If plastic wall plugs are supplied with your product:



- these are only suitable for use in masonry walls.

If you are in any doubt about the correct wall plugs for your wall, seek professional advice.


Failure of the product due to using incorrect fixings is the responsibility of the installer.



Important: When drilling into walls always check that there are no hidden wires or pipes etc.

Make sure that the screws and wall plugs being used are suitable for supporting your unit. Consult a qualified tradesperson if you are unsure.

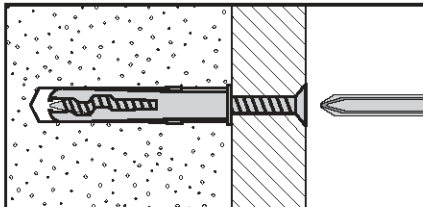
Hints:

- 1: General rule:**  Always use a larger screw and wall plug if you are not sure.
- 2:** Ensure you use the recommended drill bit to match the wall plug and hole size.
- 3:** Ensure you drill the hole horizontally, do not force the drill or enlarge the hole.
- 4:** Take extra care when drilling high walls, ceilings and ceramic tiles. Ensure wall plugs are inserted beyond the thickness of the ceramic tiles to avoid the tiles splitting or cracking.
- 5:** Ensure wall plugs are well fitted and are a tight fit in the drilled hole.

Types of walls

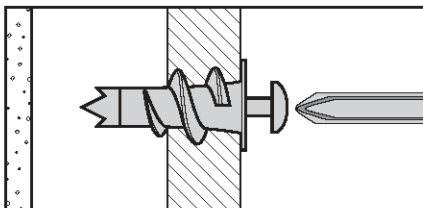
You can use one of the following types of wall plug if your walls are made of brick, breeze block, concrete, stone or wood.

No.1 "General Purpose" wall plug



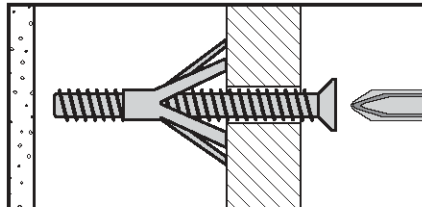
Generally aerated blocks should not be used to support heavy loads, use a specialist fitting in this case. For light loads, general purpose wall plugs can be used.

No.2 "Plasterboard" wall plug



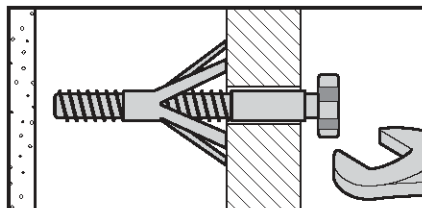
For use when attaching light loads on to plasterboard partitions.

No.3 "Cavity Fixing" wall plug



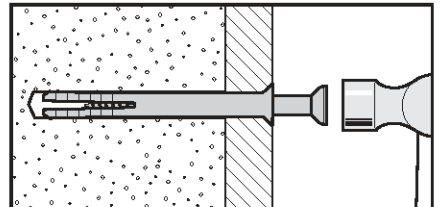
For use with plasterboard partitions or hollow wooden doors.

No.4 "Cavity Fixing-Heavy Duty" wall plug



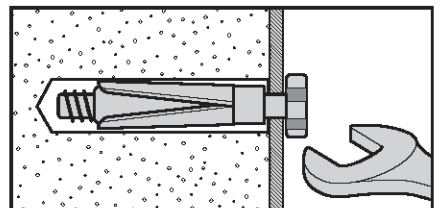
For use when fitting or supporting heavy loads such as shelving, wall cabinets and coat racks.

No.5 "Hammer Fixing" wall plug



For use with walls stuck with plasterboard. The hammer fixing allows it to be fixed to the wall rather than the plasterboard. Always check the fixing is secure to the retaining wall.

No.6 "Shield Anchor" wall plug Heavy loads



For use with heavier loads such as TV & HiFi speakers and satellite dishes etc.



Care & Maintenance

Safety: Always check the fitting and location to ensure your safety in and around the home.

Fitting: From time to time check the fitting to ensure the wall plugs or screws do not become loose.