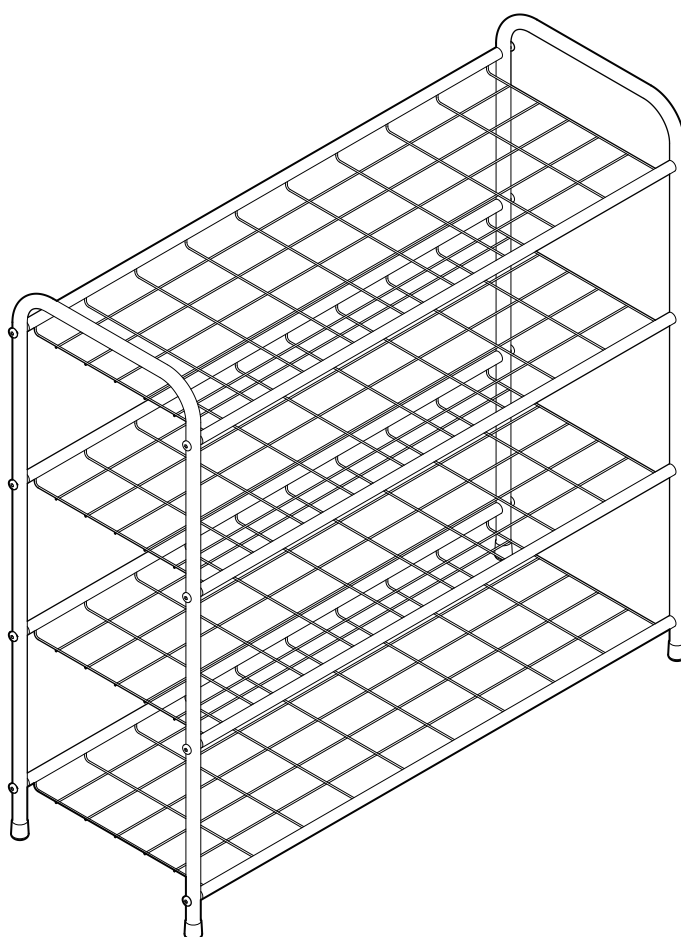


4 Tier White Shoe Rack

Assembly Instructions - Please keep for future reference

875/5429



Dimensions

Width - 75cm

Depth - 28cm

Height - 73cm

Important - Please read these instructions fully before starting assembly

If you need help or have damaged or missing parts, call the **Customer Helpline: 08456 400800**



Safety and care advice

Important - Please read these instructions fully before starting assembly

- Check you have all the components and tools listed on pages 2 and 3.
- Remove all fittings from the plastic bags and separate them into their groups.
- Keep children and animals away from the work area, small parts could choke if swallowed.
- Make sure you have enough space to layout the parts before starting.

- Assemble on a soft level surface to avoid damaging the unit or your floor.
- Parts of the assembly will be easier with 2 people.
- If using power tools, please follow the safety instructions supplied with the tools.
- Assemble the unit as close to its final position (in the same room) as possible.



- We do not recommend the use of power drill/ drivers **for inserting screws**, as this could damage

the unit.

Only use hand screwdrivers.

- Dispose of all packaging carefully and responsibly.

Care and maintenance

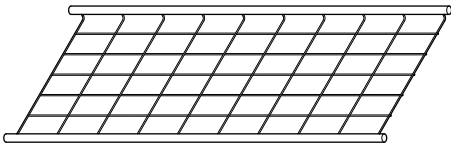
- Only clean using a damp cloth and mild detergent, do not use bleach or abrasive cleaners.
- From time to time check that there are no loose screws on this unit.
- This product should not be discarded with household waste. Take to your local authority waste disposal centre.

Components - Panels

If you have damaged or missing components, call the **Customer Helpline: 08456 400800**

Please check you have all the panels listed below

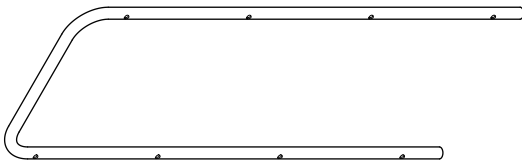
1 Net x 4



3 PP cap x 4



2 Side support x 2



Components - Fittings

Please check you have all the fittings listed below

NOTE: The quantities below are the correct amount to complete the assembly. In some cases more fittings may be supplied than are required.



32mm screw x 16



Allen key x 1

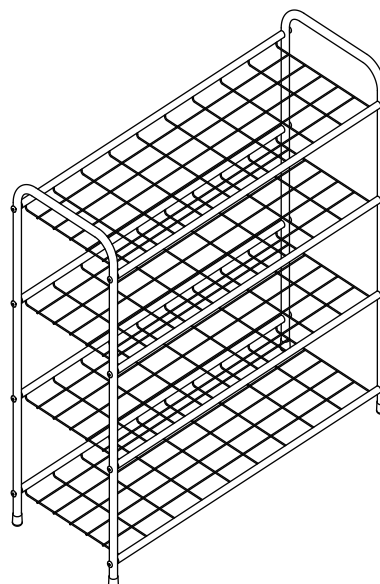
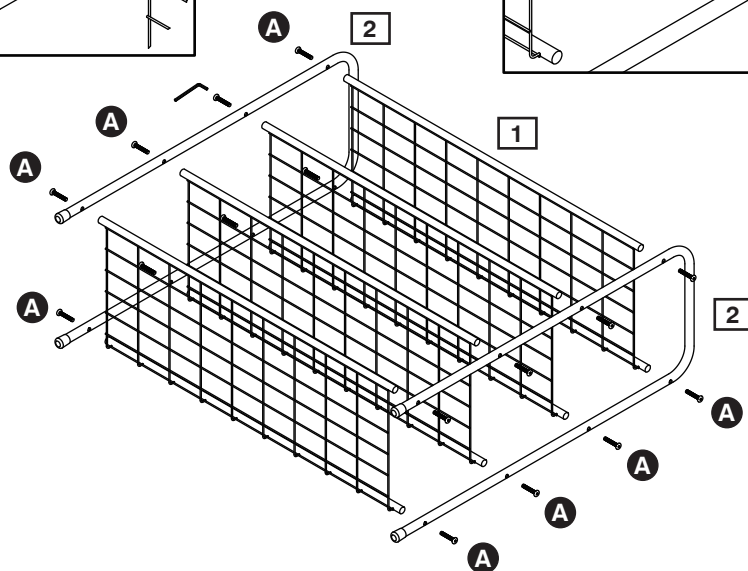
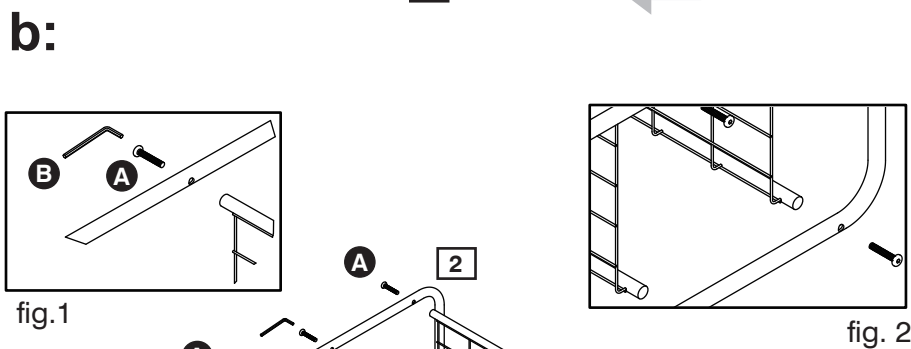
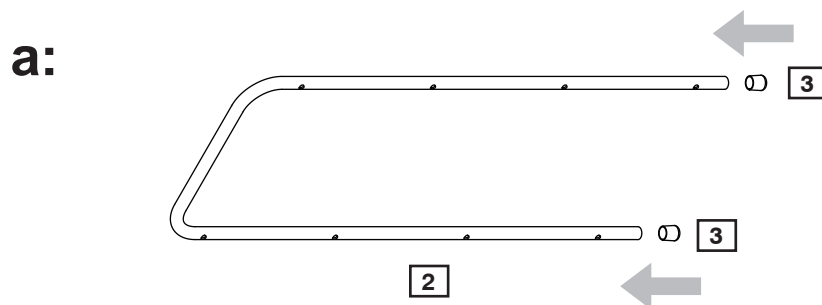
Assembly Instructions

Step 1

NOTE: It would be useful to ask someone to help you at this stage.

a: Inset the PP cap **3** into the end of Side support **2**.

b: Attach Screw **A** to Side support **2** and Net **1**, and tighten by using Allen key **B** as shown in fig.1 and fig.2.



The assembly is complete.

If you need help or have damaged or missing parts, call the **Customer Helpline: 08456 400800**