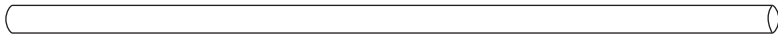


# Components

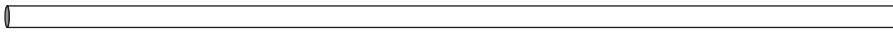
Ⓐ 1 x Hanger



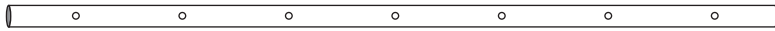
Ⓑ 2 x Lower Side Support



Ⓒ 1 x Top Crossbar



Ⓓ 2 x Upper Side Support (Inserted inside component B)



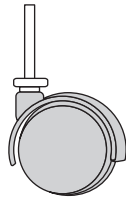
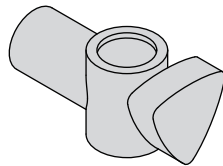
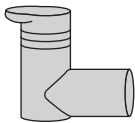
Ⓔ 2 x Bottom Crossbar



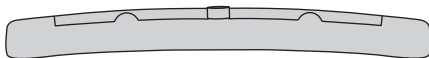
Ⓕ 2 x Connector

Ⓖ 2 x Lock

Ⓙ 4 x Castor

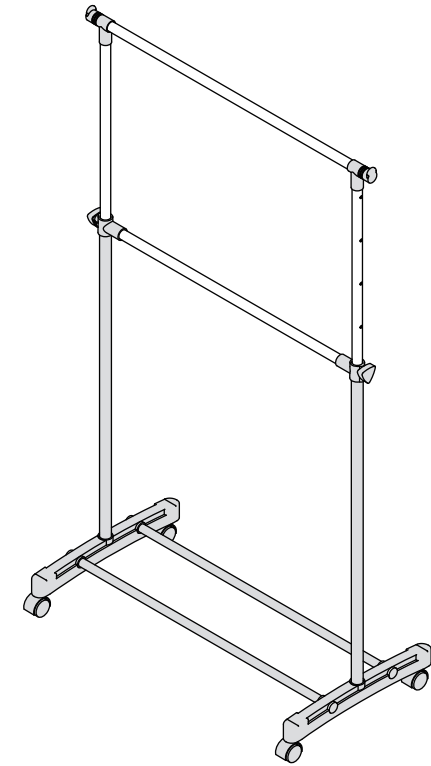


Ⓚ 2 x Leg Section



# Grey And Chrome Tidy Rail With Two Rails

Simple Assembly Instructions - Please keep for future reference 8755027



## IMPORTANT


1. Read these instructions carefully and familiarise yourself with the procedure before assembling the unit.
2. Check that you have all the component parts following the list on the back cover and familiarise yourself with each part before proceeding.
3. Take all the fittings out of the plastic bag and separate them into their groups.
4. Ensure you have enough space to lay out all the parts before assembly.
5. To avoid scratching it is recommended that you assemble the unit on a soft level surface.
6. Phone After Sales 08456 400 800

# Assembly Instructions

## Stage 1 – Fitting the Feet

### Check Before Assembly



 There are many different kinds of Screws and Panels. Ensure you check all before assembly.

**NOTE:** It would be useful to ask someone to help you at this stage.

1. Insert Bottom Crossbar (E) into the Leg Section. (G)  
See fig. 1.

2. Insert Bottom Tubes (B) into the Feet (G).  
See fig. 2.

3. Insert Castors (J) into the Feet (G).  
See fig. 3.

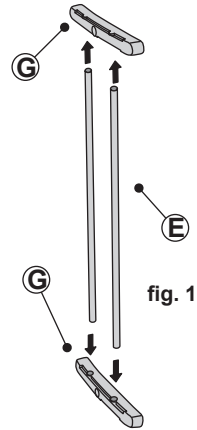


fig. 1

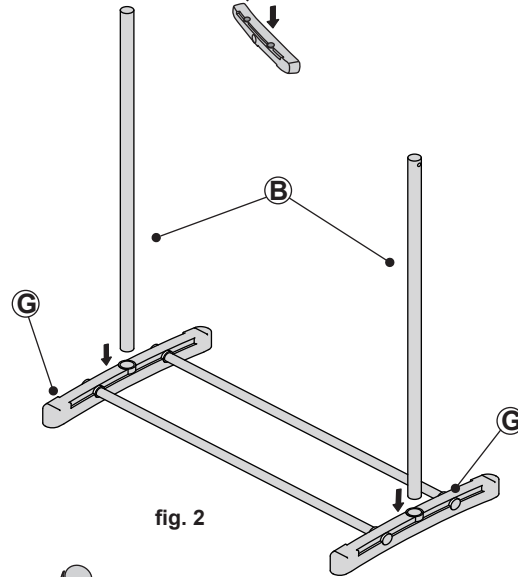


fig. 2

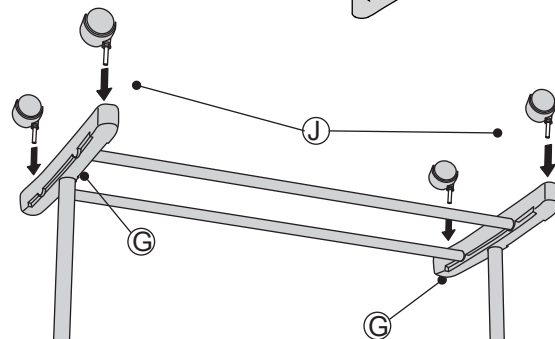


fig. 3

# Assembly Instructions

## Stage 2 – Fitting the Rail

**NOTE:** It would be useful to ask someone to help you at this stage.

1. Insert Top Crossbar (C) into the Connectors (F).  
See fig. 4.

2. Insert Upper Side Support (D) into the Connectors (F).  
See fig. 5.

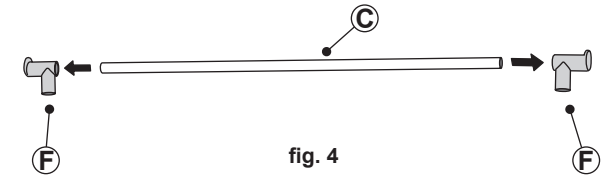


fig. 4

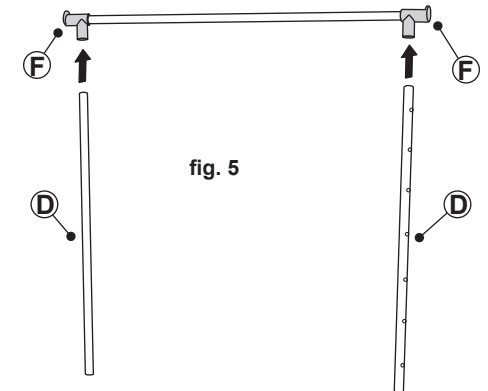


fig. 5

# Assembly Instructions

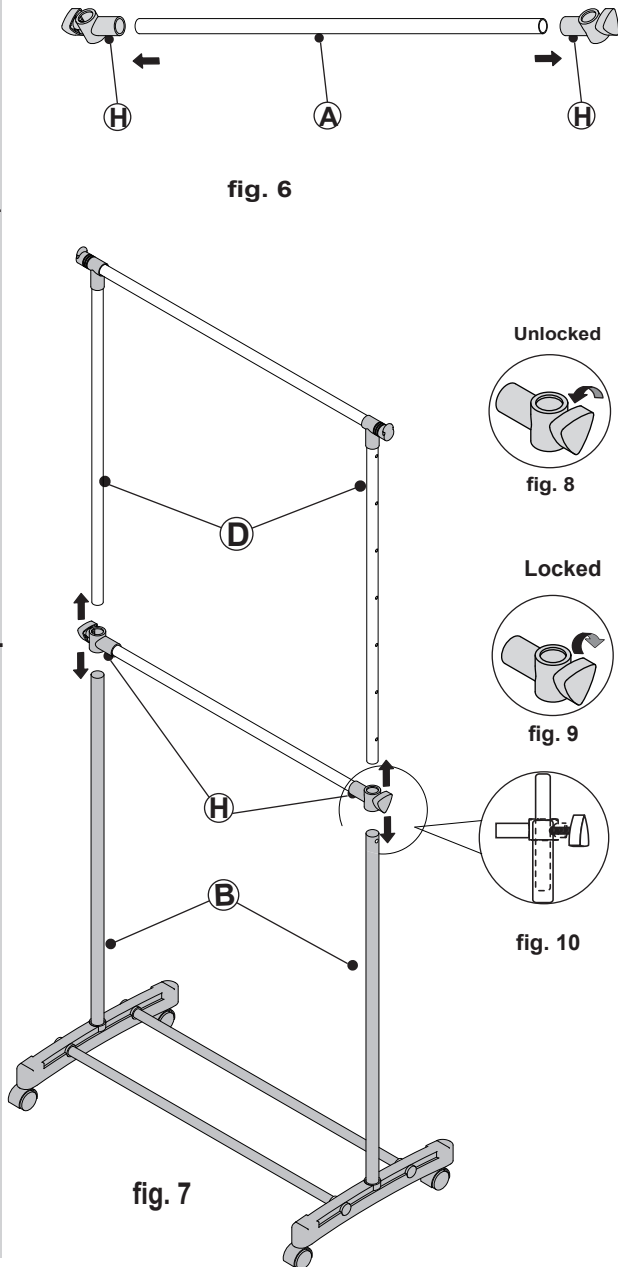
## Stage 3 – Fitting the Hanger

**NOTE:** It would be useful to ask someone to help you at this stage.

1. Insert Hanger (A) into the Lock (H).  
See fig. 6.
2. Insert Locks (H) into the Bottom Side Support (B).  
See fig. 7.
3. Insert Locks (H) into the bottom of Upper Side Support (D).

**NOTES :** Align all the holes of the componets (B, D & H) before locking.

4. Set the height of the unit:  
Using the holes on Upper Side Support (D). Ensuring the Locks (H) are loosened See fig.8., slide the Upper Side Support (D) to the desired height and tighten the Locks (H) to fix in position.  
See fig. 9. & fig. 10.  
Adjustment Range:99.5 ~ 167 cm.



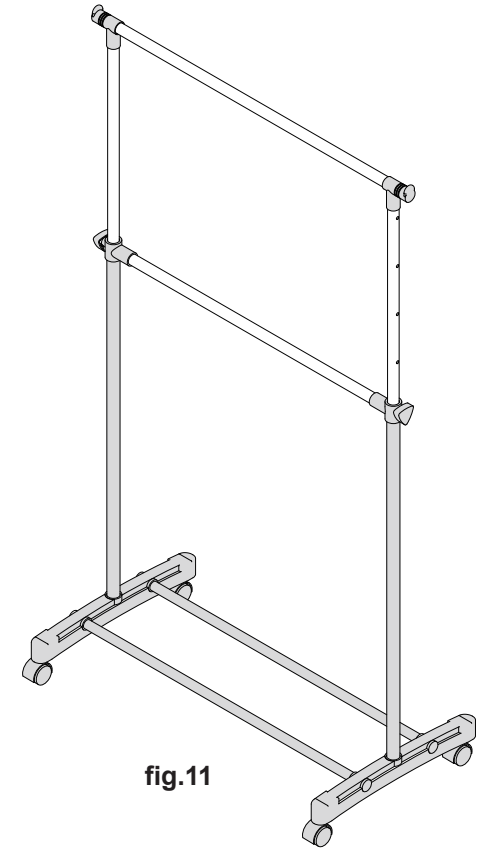
# Assembly Instructions

## Stage 4 – Finishing the Unit

**NOTE:** It would be useful to ask someone to help you at this stage.

1. Carefully place the unit in the desired location. See fig.11

**NOTE:** Before use always make sure the unit is secure.



## Care and Maintenance

### Safety

To avoid any risk of suffocation to animals or children dispose of the plastic bags immediately.

### Cleaning

As with all surfaces clean with a damp cloth and mild detergent, do not use bleach or abrasive products.

### Fitting

From time to time please ensure there are no loose screws on the product.