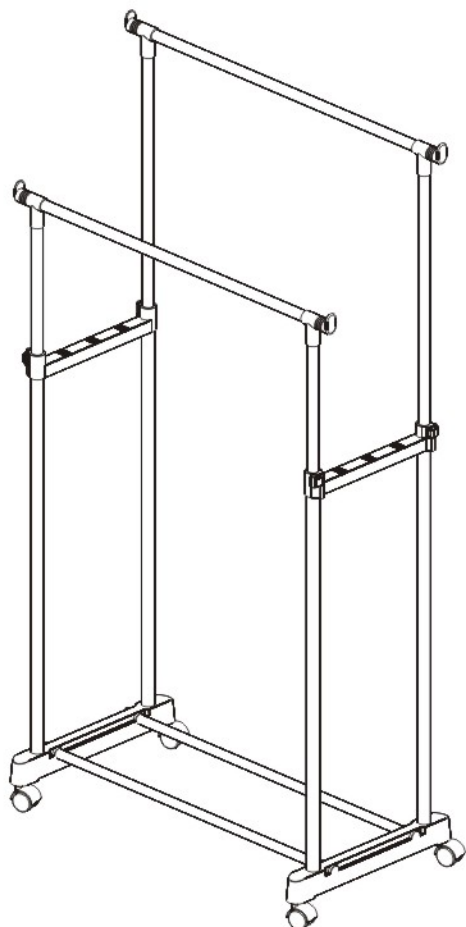


DOUBLE TIDY RAIL

Simple Assembly Instructions - Please keep for future reference

Component parts and fittings

TIDY RAIL = 5 parts



- A** Leg section x 2



- B** Bottom crossbar x 2



- C** Lower side support x 4



- D** Upper side support x 4



- E** Upper crossbar x 2

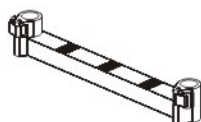


USEFUL TIPS

1. We suggest you spend a short time reading through this leaflet and then follow the simple step-by-step instructions.
2. Assemble this product on a carpet.
3. Keep fittings out of children's reach.
4. We suggest you retain these instructions for future reference.

FITTINGS = 3 parts

- F** Plastic crossbar x 2



- G** Corner Bracket x 4



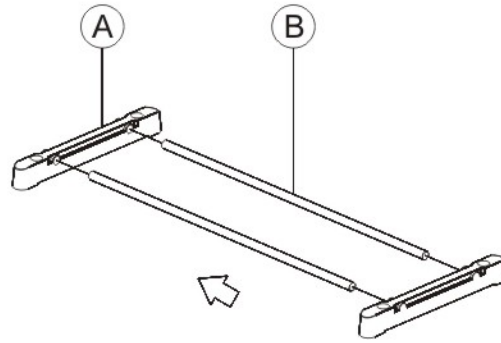
- H** Castor x 4



Assembly Instructions Double Tidy Rail

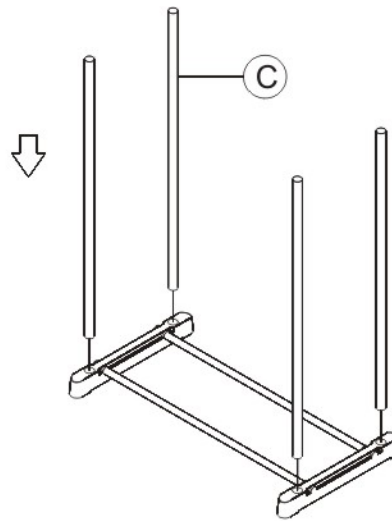
Stage One - Fit Bottom Crossbar to Leg Sections. (Dia.1)

1. Locate bottom crossbar **B** over leg sections **A** and firmly push into position. (see Dia. 1)



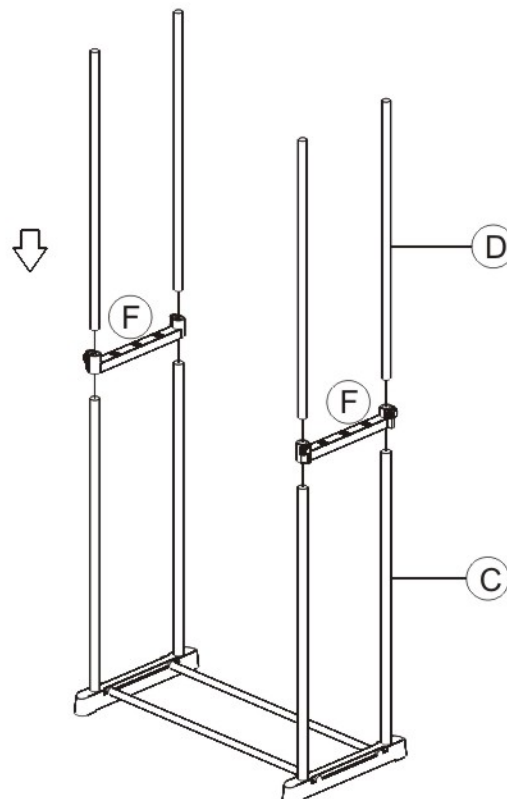
Stage Two - Fit Lower Side Supports. (Dia. 2)

1. Locate lower side supports **C** over leg sections **A** and firmly push into position. (see Dia.2)



Stage Three - Fit Upper Side Supports. (Dia. 3)

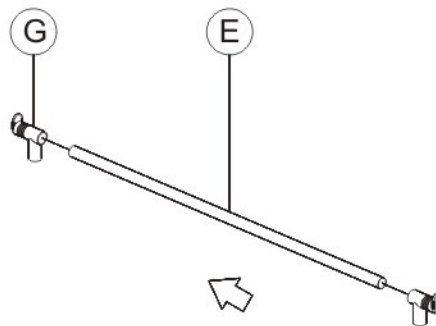
1. Locate Plastic Crossbars **F** onto lower side supports **C** and push into position.
2. Fit upper side supports **D** into lower side supports **C** and lock the clip on plastic crossbar. (see Dia.3)



Assembly Instructions Double Tidy Rail

Stage Four - Fit Corner Brackets to Upper Crossbar. (Dia.4)

1. Locate corner brackets **G** onto each end of upper crossbars **E** and firmly push into position. (see Dia.4)



Stage Five - Fitting Upper Crossbar and Castors. (Dia.5)

1. Position corner brackets **G** on upper crossbar **E** over upper side supports **D** and firmly push into position.
2. Locate castor **H** under leg sections **A** and firmly push into position.
3. Adjust height of upper crossbar **E** by unlock the clip on plastic crossbar **F**. Re-lock when desired height is reached. (see Dia.5)

