

LARGE WALK IN GREENHOUSE

Assembly Instructions








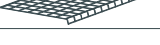









Please read before assembly and keep for future reference.

INSTRUCTIONS

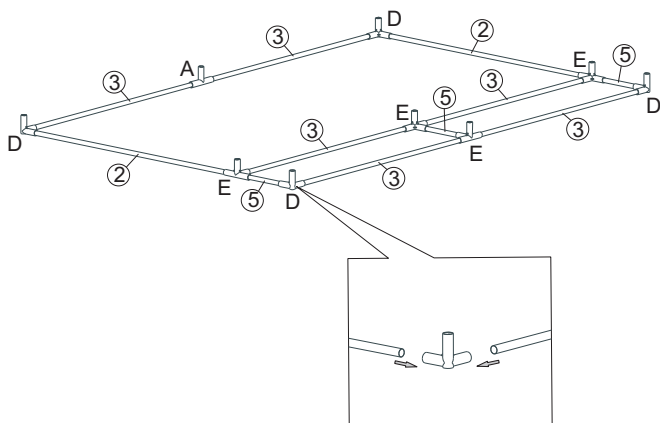
- Starting with the cover unzipped .
- Assemble as shown in figure .
- Secure to frame with ties attached to inside of cover .

IMPORTANT

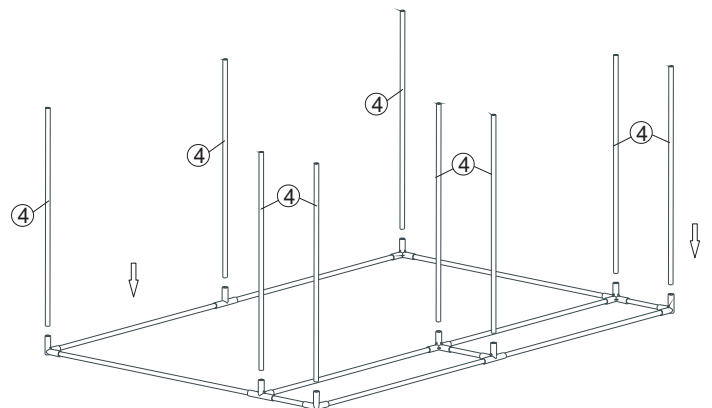
- Please check the pack contains before assembly. And remember the codes/letters of different tubes .
- A full list of parts is given below .
- The item should be sited in a sheltered spot away from prevailing winds .
- To avoid damage to the cover please unfold it carefully and allow it to rest until completely flexible .
- Use the rope (11) to secure the shelves to the frame , for extra stability .
- If cover fits tight , please make sure tubes are fully into connectors. If necessary ,
- support connectors by wall or ground , then apply some gentle pressure on tubes .

Number	Picture	QTY	Number	Picture	QTY
A		3	⑤	 23cm approx	6
B		1	⑥		3
C		3	⑦		3
D		6	⑧		2
E		11	⑨	 PEG	8
①	 120cm approx	2	⑩	 ROPE	4
②	 95cm approx	2	⑪	 ROPE	1
③	 91cm approx	16	⑫	 COVER	1
④	 77cm approx	15			

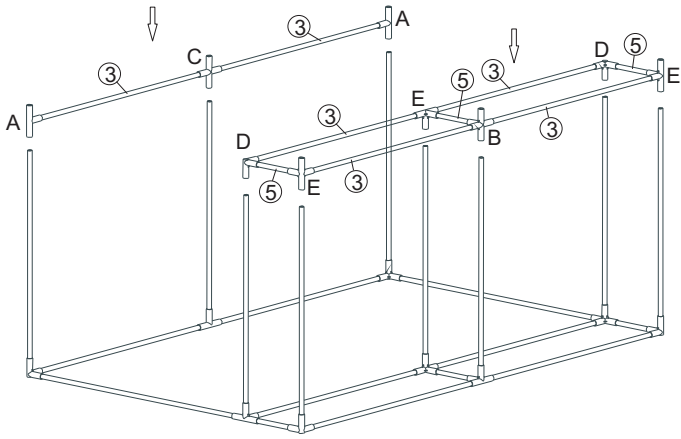
1



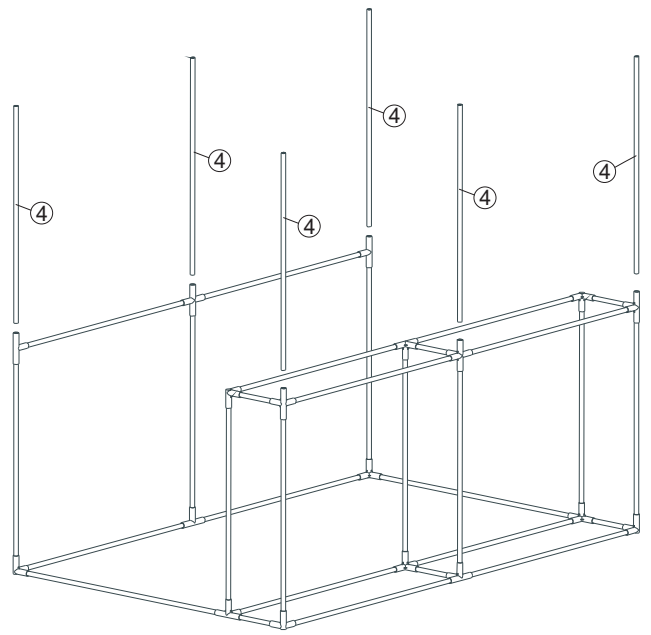
2



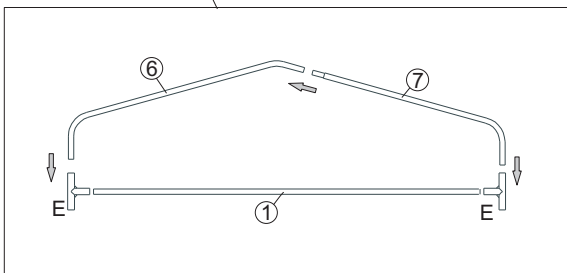
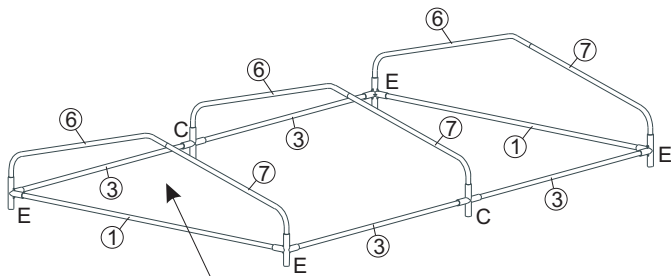
3



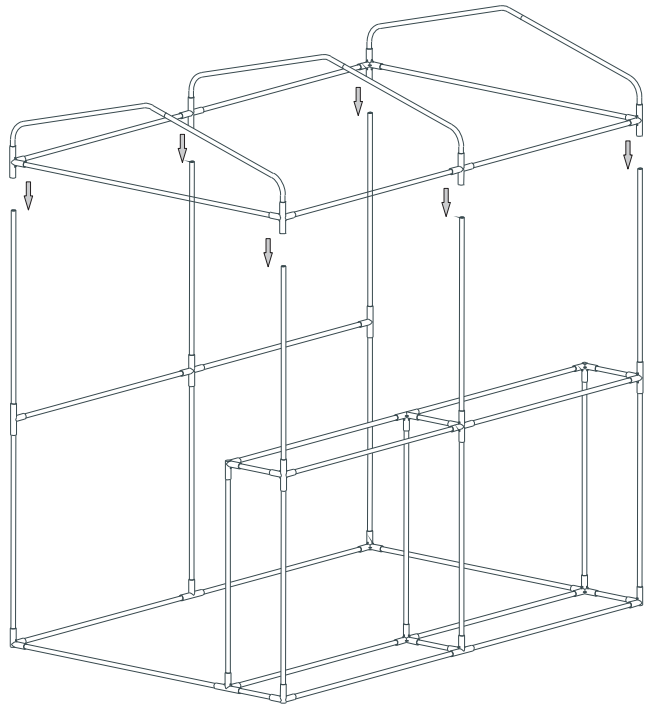
4



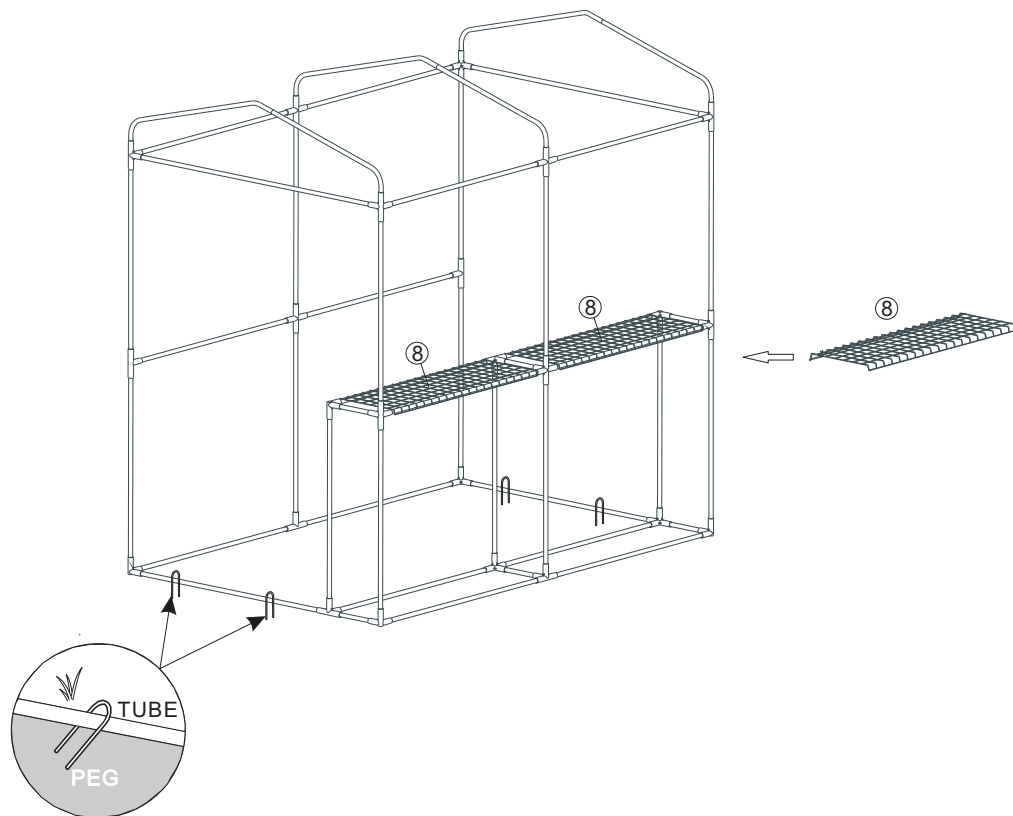
5



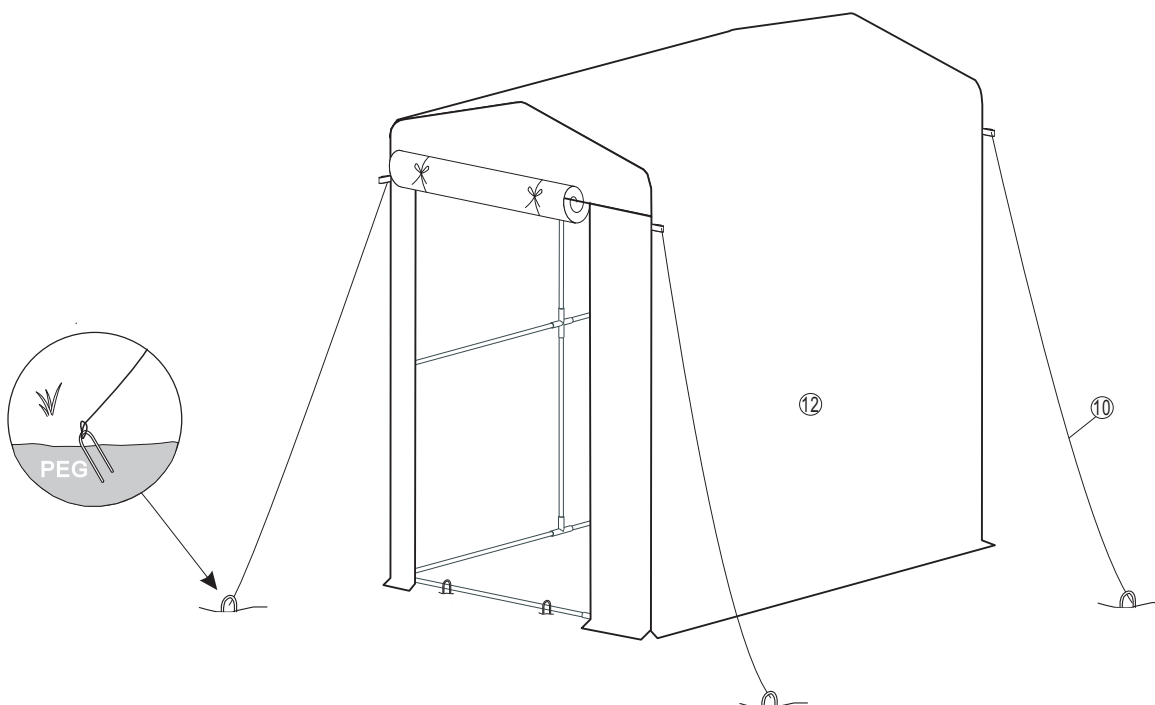
6



7



8



- To ensure more stability of tubes or ropes, push pegs into ground, at an angle (as shown in the pictures)

Argos Limited
489-499 Avebury Boulevard , Central Milton Keynes , MK9 2NW .
www.argos.co.uk
Customer helpline: 0345 640 0800
Made in China