

WAHL®

EZ-Nail

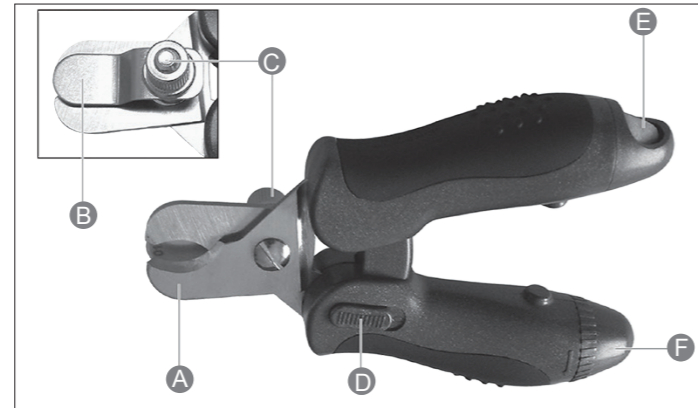
Instructions



EZ NAIL OPERATING INSTRUCTIONS

Description of Parts

- A Claw Pliers
- B Clipper Spacer Guard
- C Adjusting Screw for Guard
- D On/Off for Claw Filer
- E Claw Filer
- F Battery Compartment



IMPORTANT SAFETY INFORMATION

When using this nail trimmer basic precautions should always be followed, including the following:

- Read all the instructions before using this appliance.
- Use this appliance only for its intended use to cut and file animal claws.
- Do not use this appliance with a damaged or broken blade as injury may occur.
- This appliance can be used by children from aged 14 years and above and persons with reduced physical, sensory or mental

capabilities, or lack of experience and knowledge, if they have been given supervision or instruction concerning use of the appliance in a safe way and understand the hazards involved. Children shall not play with the appliance. Cleaning and user maintenance shall not be made by children without supervision.

- Use this appliance only for its intended purpose.
- Only use accessories recommended by the manufacturer.
- Always remove batteries from the appliance when not in use.
- Use only leak-proof batteries type AA 1.5v.
- To prevent the leakage of electrolyte the battery is not to be exposed to high temperatures or opened. If electrolyte does leak, wipe it with a damp cloth and dispose of the battery. If electrolyte comes into contact with the eyes, consult a doctor immediately.
- When discarding old batteries do not throw them into a fire where heat could cause them to rupture. Do not attempt to recharge alkaline, heavy-duty or regular batteries in a nickel cadmium battery recharger.
- This appliance meets the requirements of EU Directive 89/336/EC regarding electromagnetic compatibility (EMC).

PRECAUTIONS

- Do not immerse the appliance in water. Do not operate if the appliance is wet.
- Do not operate this appliance if it has been dropped or damaged.
- Do not use attachments not recommended by the manufacturer.
- Ensure grinding attachments are properly secured before switching the grinder to the 'ON' position.
- Safety glasses should be worn when using the nail grinder. Long hair should be tied back and jewellery removed to avoid contact with the moving parts of the grinder.
- While in use the grinder should only be in contact with the pet's nail, no other substance.
- When in use ensure your pet does not touch or lick the grinder.
- To avoid any injury to the pet's nails, do not over-grind the nail or apply excessive pressure.
- Do not attempt to repair the grinder if it is damaged.

GUARANTEE

This product is guaranteed against defects in material and workmanship for a period of 1 year from the date of original purchase or receipt as a gift.

Should this product become defective during the guarantee period, return it to the store of purchase together with your proof of purchase for repair or replacement.

Alternatively within the guarantee period you can return the product to Wahl (UK) Ltd who will repair any such defect or elect to replace the product or any part of it, without charge, provided that there is proof of purchase. Should a replacement be offered this will not extend the original guarantee period.

The guarantee becomes invalid in the case of misuse, alteration or repair by unauthorised persons.

This guarantee does not include blades, grinding stones and sanding bands, which are consumable parts.

This guarantee in no way affects your rights under statutory law in the United Kingdom.

For personal attention from one of our Customer Service representatives, please contact us at:

Wahl (UK) Ltd, Sterling House, Clipper Close, Ramsgate, Kent
CT12 5GG. www.wahl.co.uk 01227 740066

Form No: ZB545 Rev1 06-18

HOW TO CLIP DOGS NAILS

Caution: Blood vessels and nerve endings run inside the claws and care must be taken to avoid injury to these (Fig. 1). These blood vessels are easy to see in light-coloured nails. With dark nails, hold a small torch against each claw to enable you to see the blood vessels. To be safe and avoid causing injury only remove a small amount of claw with each cut and do not cut the claws too short.

1. Make sure the dog is relaxed and comfortable. Have the dog sitting on the floor or, for small dogs, on an assistant's lap.
2. Take a look at your dog's nails. With clear or light colour nails, you should be able to see the quick which looks like a tiny tube inside the nail centre. With black or dark nails it is very difficult to see the quick so extreme care should be exercised to avoid causing injury to the dog.
3. Set the correct cutting length using the adjusting screw on the spacer guard (Fig. 2).
4. Hold the paw of your animal firmly but do not apply too much pressure (Fig. 3).
5. Position the claw between the steel blades (Fig. 3). Trim off a little of each nail. Trim each claw close to the end of the blood vessel (quick), cutting obliquely downwards. This is how to adjust the line of cut to suit the claw profile (Fig. 1).
6. Be sure to avoid cutting into the quick.



Fig.1

If Bleeding Occurs

If you cut the blood vessel whilst trimming the nails this will cause inflammation and bleeding.

1. If bleeding occurs use styptic powder or corn starch to stop the flow of blood.
2. Put the powder onto the end of the nail and press the powder to it until the bleeding stops.
3. You may have to keep packing powder for two or three minutes, but the longer you are able to apply steady pressure, the more effectively you will stop the bleeding.
4. Bleeding should stop within 15 minutes. If the nail is still bleeding after 30 minutes of applying pressure and powder then you should seek advice from a qualified vet.

EZ Nail Filer Operating Instructions

After trimming the claws, you can round off the trimmed edges of each claw using the battery operated file. This will smooth the rough edges and prevent splitting and breaking to the nails.

1. Using your thumb apply light to moderate pressure to the animal's pads in order to separate their toes.
2. Long hairs must be kept clear of the grinding stone as they will tangle around the grinder. Either cut the hair back between the toes, push it to the side, or place a stocking over the foot and push the claws through. This will keep the hair clear as the nails are filed.

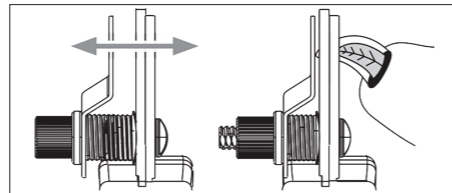


Fig.2

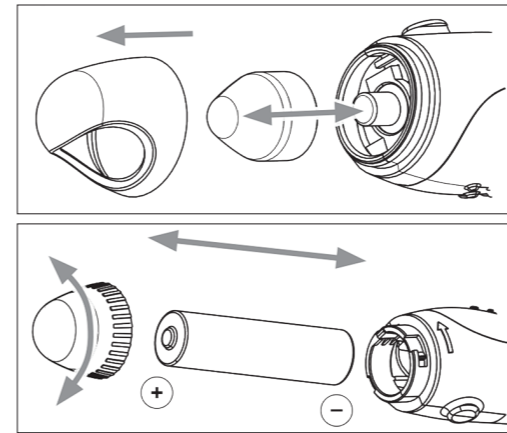


Fig.3

3. Turn the grinder 'ON'. The switch is located on the front of the clipper.
4. The filer tip compartment cover rotates to allow the most convenient position for the user.
5. For best results start grinding from the bottom of the nail, slowly moving toward the tip. Apply consistent pressure, moving the grinder from side-to-side across the nail.
6. Caution: Do not over-grind or apply excessive pressure.

Changing the Filing Attachment

1. Ensure the grinder is in the 'OFF' position before changing the filing stone.
2. Remove the filer tip compartment cover from the end of the handle by snapping it off.
3. Pull the filer tip straight off and replace with the new tip.
4. Replace the filer tip compartment cover back into the original position.



Maintenance, Cleaning and Care

- After each use, remove any debris and dust from the grinder by using a soft brush.
- To clean the housing use a soft, dry cloth. Do not use solvents or abrasives.
- Do not immerse the appliance in water.
- For maximum efficiency, ensure grinding attachments are properly replaced when worn. Replacements are available from www.wahlstore.co.uk, or call our Customer Service Team on 01227 740066.
- Periodically examine the tool for any wear or damage.

BATTERY INSTALLATION / REPLACEMENT

1. Remove battery compartment cover from the bottom of the clipper by twisting it off.
2. Remove the battery.
3. Insert one new AA alkaline battery into the trimmer.
4. Replace the battery compartment cover and twist to close into the original locked position.

BATTERY REMOVAL AND DISPOSAL

Do not dispose of this product or the battery in the normal household waste. At the end of your products life the battery must be removed and recycled/disposed of correctly and not disposed of with the product. Batteries should be disposed of at an official collection point in an environmentally safe way or taken to a local collection facility where they will be dealt with safely and sent for the appropriate recycling.

DISPOSAL in EU Countries

Do not dispose of the appliance with domestic refuse. As part of the EU Directive governing the disposal of electrical and electronic equipment, the appliance is accepted free of charge by local waste collection points or recycling centres. Correct disposal will ensure environmental protection and prevent any potentially harmful impacts on people and the environment.