

# Medium Pet Cage

← Assembly Instructions Please keep for future reference

## Stage 1 – Assembling the Pet Cage



Cat No. 8705273  
Size:76(W)x54(D)x61(H)CM  
Argos Ltd. MK9 2NW

### IMPORTANT

1. Read these instructions carefully and familiarise yourself with the procedure before assembling the unit.
2. Ensure you have enough space to lay out all the parts before assembly.
3. To avoid scratching it is recommended that you assemble the unit on a soft level surface.

### Care and Maintenance

#### Cleaning

As with all surfaces clean with a damp cloth and mild detergent, do not use bleach or abrasive products.

#### Fitting

From time to time please ensure there are no loose parts on the product.



### IMPORTANT:

- Do not leave your pet unattended at any time whilst it is inside the cage.
- Do not keep your pet inside the cage for long periods of time, it should only be used temporarily for transporting etc.

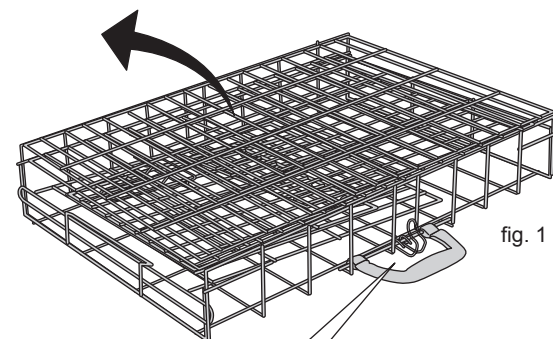


fig. 1

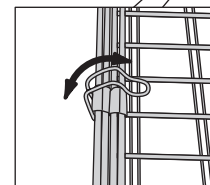


fig. 2

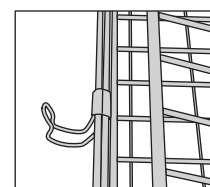


fig. 3

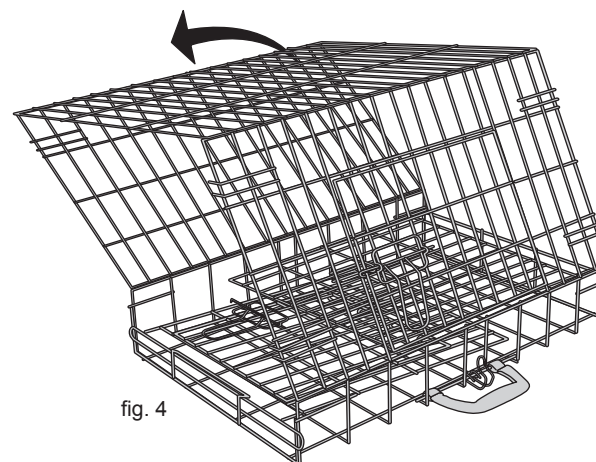


fig. 4



### NOTE:

Assemble the frame carefully and loosen the sides and hinges as they can sometimes stick together during assembly. Do not use force as this can bend and damage the wire frame.

1. Open the clasp lock of the Pet Cage.  
See fig. 1, 2 and 3.

2. Fold out the sides of the Pet Cage.  
See fig. 4.

# Assembly Instructions

## Stage 1 – Assembling the Pet Cage

3. Lift the front part of the Pet Cage into an upright position and hold it there.

See fig. 5.



fig. 5

4. Lift the Right and Left Sides of the Pet Cage until it locks into position.

See fig. 6.

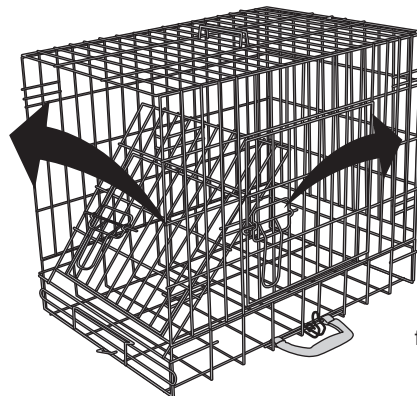


fig. 6

Here is the details photo regarding the final lock status.

5. Make sure the cage is locked reliable before use

See fig. 7.

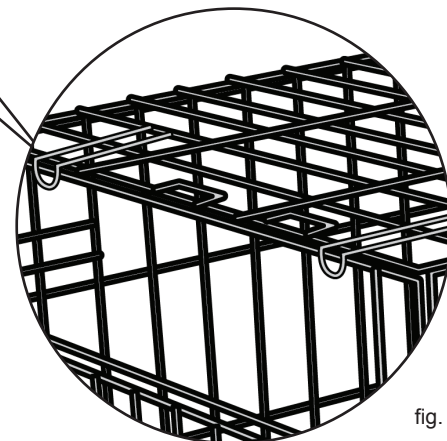


fig. 7

# Assembly Instructions

## Stage 2 – Operating the Door

**NOTE:** There are two doors and one tray opening on the pet cage. Ensure you lock after use.

### Left Side Door

1. Slide open the Left Door Lock. Then open the Left Door See fig. 8 and 9.

### Front Door

2. Slide open the Front Door Lock. Then open the Front Door See fig. 8 and 9.

### Tray opening

3. Loose the tray opening. Then pull and push the tray. See fig.10 and 11.

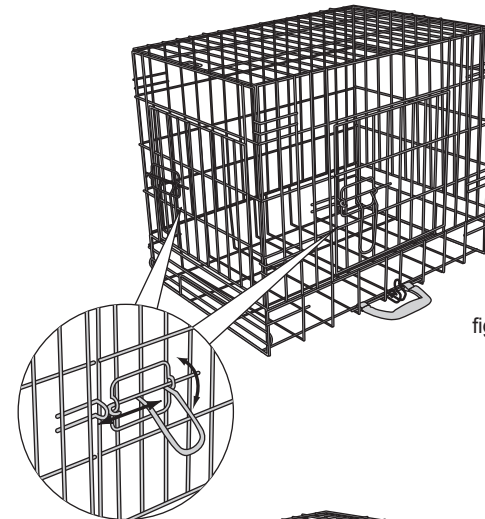


fig. 8

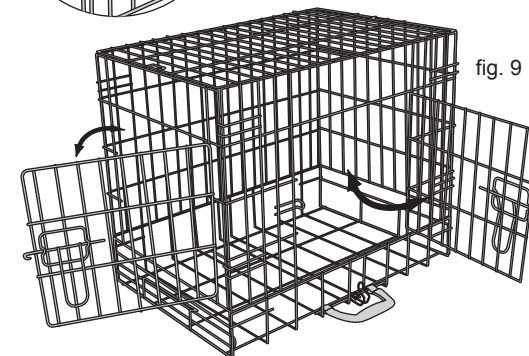


fig. 9

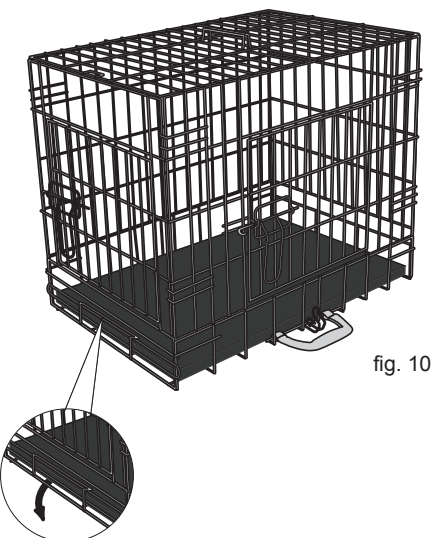


fig. 10

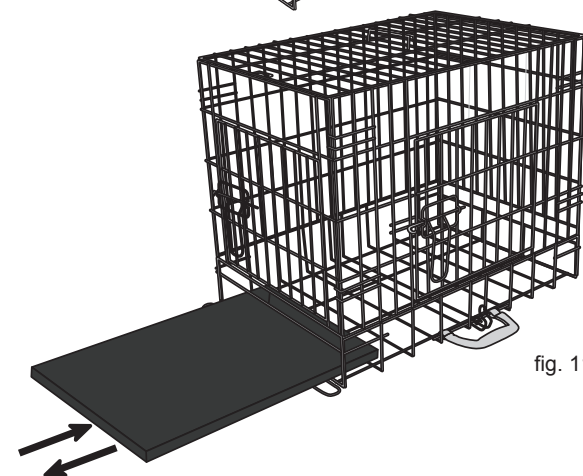


fig. 11