

BUSH

Instruction manual

Ceramic Hob
LSBCHP



You'll soon be enjoying your new Ceramic Hob

It all begins here, with your instructions. Don't worry, there's nothing too technical coming up. Just simple, step-by-step guidance to get you up and running quickly. Sound good? Then let's get started.

Help and Guidance

We're here to help you get the most from your Ceramic Hob. Should you require any guidance, a simple solution can often be found online at:

www.bush-support.com

If you still require further assistance, call one of our experts on **01759 487838**.

Contents

1 Safety information

Safety information 6

2 Getting to know your Hob

Overview 11

Accessories 12

3 Installing your Hob

Installation requirements 14

Installation guide 15

Electrical connections 16

4 Using your Hob

Description of control 18

Use of the cooking hob 19

Timer 20

Cooking tips 21

5 Care and Maintenance

Cleaning 24

Technical specifications 25

6 Product support

Troubleshooting 28

Help and assistance 29

Declaration of conformance to product standards 30

Disposal 30

Guarantee 31

Safety information

1





Safety information

Important - Please read these instructions fully before installing or operating

INSTALLATION WARNINGS

IMPORTANT: Prior to Installation ensure that the local supply conditions (electricity voltage and frequency) are compatible with the requirements of your Ceramic hob.

IMPORTANT: Carefully unpack and examine the appliance for any damage. If you think there is a defect, do not use the appliance and contact BUSH Product Support on 01759 487838. Packaging materials should be collected together and disposed of immediately as they may be harmful to children.

IMPORTANT: Keep the electrical cable of your ceramic hob away from the hot areas of your appliance, do not let the cable touch the appliance. Keep the cable away from sharp edges and heated surfaces.

IMPORTANT: Ensure that the electric supply cable is not trapped or damaged during installation.

IMPORTANT: In the event that the cable connecting your ceramic hob becomes damaged, it must be replaced by a suitably qualified person. This cable must not be replaced by an unauthorised person.

IMPORTANT: Protect your ceramic hob against atmospheric effects. Do not expose your cooker to effects such as sun, rain, snow etc.

IMPORTANT: The materials surrounding the appliance (cabinets) must be able to withstand a minimum temperature of 100°C.

IMPORTANT: When using your appliance for the first time your ceramic hob may give off an unusual odour from the heating elements. This is normal for cooking appliances.

WARNING: Before obtaining access to terminals, all supply circuits must be disconnected.

DURING USAGE

IMPORTANT: This appliance can be used by children aged from 8 years and above and persons with reduced physical, sensory or mental capabilities or lack of experience and knowledge if they have been given supervision or instruction concerning use of the appliance in a safe way and understand the hazards involved. Children shall not play with the appliance. Cleaning and user maintenance shall not be made by children without supervision.

WARNING: The appliance and its accessible parts become hot during use. Care should be taken to avoid touching heating elements. Children less than 8 years of age shall be kept away unless continuously supervised.

WARNING: NEVER try to extinguish a cooking fire with water. Instead switch off the appliance and cover flame e.g. with a lid or a fire blanket.

CAUTION: Do not allow children in the kitchen when cooking or after, as the parts may still be hot. Many parts of the cooker will become hot and present a considerable hazard to children.

CAUTION: When the hob is hot never touch the surface by hand or with tools.

CAUTION: Before starting to use your appliance, ensure curtains, paper or flammable items are kept away from your appliance. Do not keep flammable materials on or around your ceramic hob.



Safety information

Important - Please read these instructions fully before installing or operating

IMPORTANT: If you do not intend to use your hob for a long period of time turn off the electric supply to the cooker.

GENERAL SAFETY WARNINGS

IMPORTANT: This appliance has been designed for non-professional, domestic use only. Do not use this cooker for commercial use or any other application e.g. room heating.

WARNING: Danger of fire: do not store flammable items on or near the cooking surfaces of the appliance.

IMPORTANT: Your appliance is produced in accordance with all applicable local and international standards and regulations.

IMPORTANT: Maintenance and repair work must only be performed by authorised service technicians. Installation and repair work that is carried out by unauthorised technicians is dangerous and could invalidate your guarantee.

IMPORTANT: Do not hang towels, dishcloths or clothes from the Ceramic hob.

CLEANING AND MAINTENANCE

IMPORTANT: Always turn the appliance off before operations such as cleaning or maintenance. You can do this by switching the ceramic hob off using cooker isolation switch.

WARNING: Do not use harsh abrasive cleaners or sharp metal scrapers to clean the hob top since they can scratch the surface.

TO MAINTAIN THE EFFICIENCY AND SAFETY OF YOUR APPLIANCE, WE RECOMMEND YOU ALWAYS USE OUR AUTHORISED SERVICE AGENTS AND ORIGINAL SPARE PARTS.

FOR ASSISTANCE CALL BUSH PRODUCT SUPPORT 01759 487838.

Getting to know your Ceramic Hob

2



Getting to know your Ceramic Hob

You'll be up and running in no time

Ready? Let's begin...

Please read these instructions carefully. They contain important information which will help you get the best from your ceramic Hob and ensure safe and correct installation and operation.

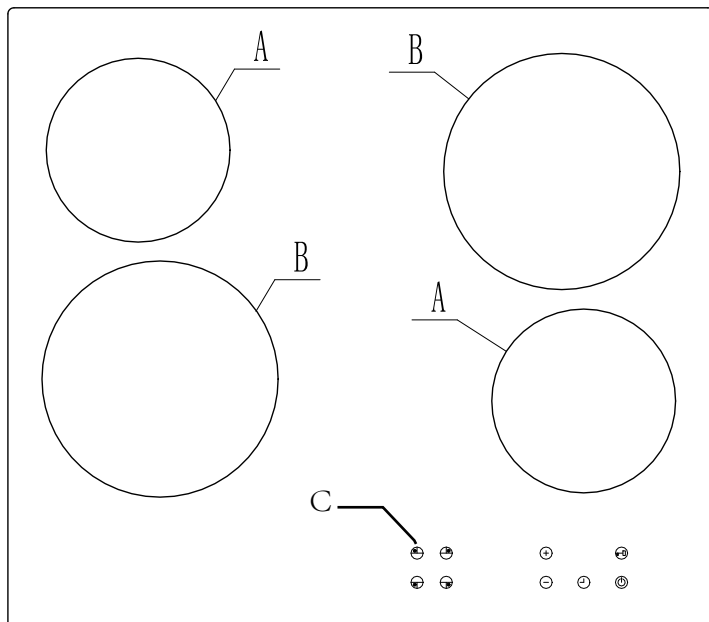
If you require any further assistance, our technical experts are happy to help. For full details, refer to the product support section at the end of these instructions.

If you require any technical guidance or find that your product is not operating as intended, a simple solution can often be found in the **Troubleshooting** section of these instructions,

Getting to know your Ceramic Hob

You'll be up and running in no time

Overview



- A. Single cooking zone 1200W
- B. Single cooking zone 1800W
- C. Sensor touch control

Getting to know your Ceramic Hob

You'll be up and running in no time

Accessories

1



2



3



1. Bracket*4
2. Screw*4
3. Seal*1

If you require any technical guidance or find that your product is not operating as intended, a simple solution can often be found in the **Troubleshooting** section of these instructions.

Installing your Ceramic Hob

3



Installing your Ceramic Hob

Bringing it all together

INSTALLATION

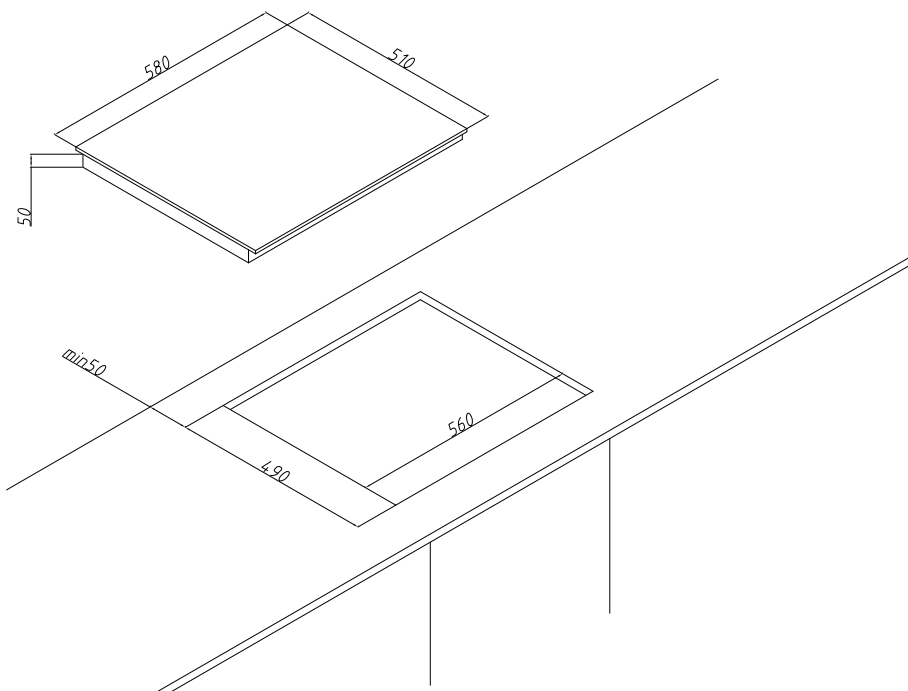
Before installation

Installation and test must be carried out by professional technician. And the hob must be 150mm far away from the wall or anything else. To avoid interference of taking the households when cooking, in the place 300mm from the both sides of the hob must not be put any furniture or separate board. And the both sides of the hob should 300mm at least far away from the wall. The thickness of the table used to mounting the hob should be 30cm at least, and it should be heat resisting or be covered by a the heat resisting material.

The rating plate

Make sure that the voltage and capacity of the power line conform to the data shown on the rating plate. Do not remove this plate for any reason.

POSITIONING OF THE HOB



If you require any technical guidance or find that your product is not operating as intended, a simple solution can often be found in the **Troubleshooting** section of these instructions,

Installing your Ceramic Hob

Bringing it all together

The following operation requires building and/or carpentry work so must be carried out by a competent tradesman.

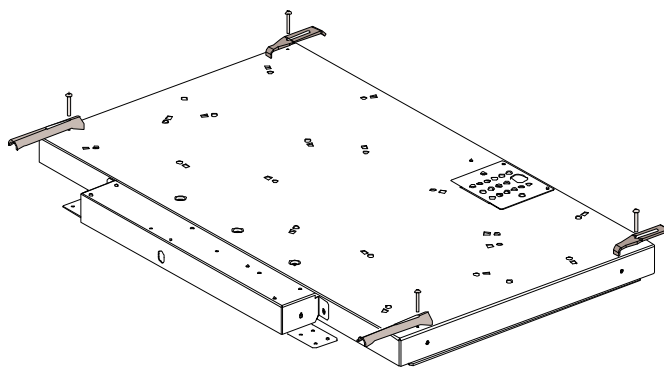
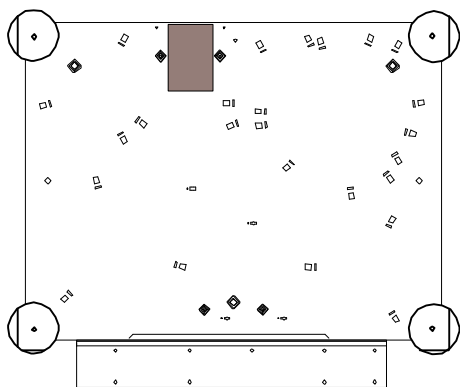
Installation can be carried out on various materials such as masonry, metal, solid wood or plastic laminated wood as long as they are heat resistant (T 90°C).

Create an opening with the dimensions shown in the paragraph 10.1 in the top surface of the counter, keeping a minimum distance of 50 mm from the rear edge.

This appliance can be mounted against walls higher than the work surface on condition that a certain distance be kept between the appliance and the wall as shown in the figure so as to avoid damage from overheating.

Make sure there is a minimum of 750 mm between the hob and any shelf that may be installed directly above them.

Mounting



This appliance must not be built-in above a dishwasher. Installation of an oven without cooling fan underneath the hob is forbidden.



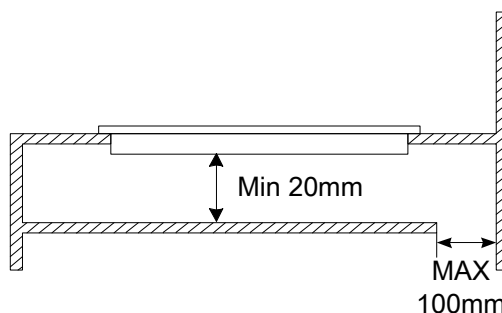
Pass the power supply cable through the back of the unit, taking care that it does not touch the bottom casing of the hob or the oven (if any) installed underneath it.



IMPORTANT: when installing the appliance above a cupboard, a dividing shelf, as shown above, must be installed.

If installed above an under-bench oven, this is not required.

Installation of an oven without cooking fan underneath the hob is forbidden.



The diagrams illustrate the cutting sizes and additional shaping required for the installation hole if you decide to install the hob flush with the work-top surface. The work-top hole and shaping dimensions are purely guideline; it is essential to refer to your actual ceramic hob before making any cuts.

Installing your Ceramic

Hob Bringing it all together

Electrical connection



It is obligatory for the electrical system to be grounded according to the methods required by safety rules.



Before the appliance being connected with the mains, please do assemble one full polar breaker with over 3mm opened on the mains, and the rated current of the breaker is strongly recommend over 40A.



Never unplug by pulling on the cable.

Immediately after installation carry out a brief inspection test of the hob, following the instructions. If the hob fails to operate, after checking that you have carried out the instructions correctly, disconnect the appliance from the electrical mains and contact your nearest service center. Never attempt to repair the appliance.



If a plug and socket connection is being used make sure that the plug and socket are compatible. Avoid use of adapters and shunts as these could cause overheating and risk of burns.



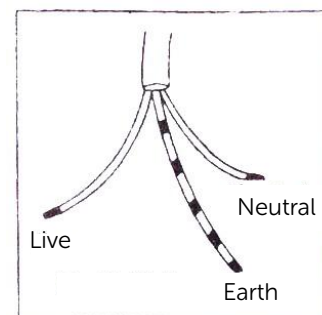
If a fixed connection is being used fit power line with an omnipolar circuit breaker with a contact opening gap equal to or greater than 3mm in an easily accessible position in proximity to the hob.



If the appliance you have purchased is not fitted with a mains power lead a power lead resistant to a temperature of at least 90°C must be used. Otherwise, the electrical safety of the appliance may be put at risk. The manufacturer declines all responsibility for damage to persons or things caused by non-observance of the above prescriptions or by interference with any part of the appliance.

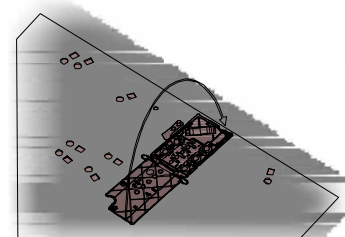
The wires in the mains lead are coloured in accordance with the following code:

- Green and yellow: Earth
- Blue: Neutral
- Brown: Live



Warning: close the cable clamp after making the electrical connection. Close the terminal board cover by twisting it down.

TERMINAL BOARD



Using your Ceramic Hob

4

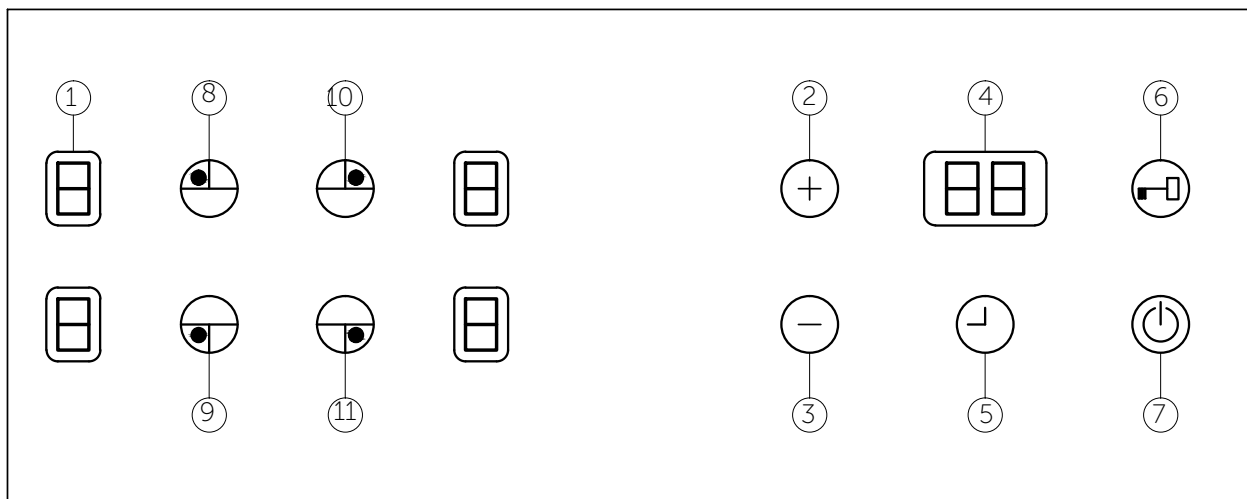


Using your Ceramic Hob

Getting the most from your appliance

Description of control

All the hob controls are grouped together on the front panel. The table below provides a description of the symbols used.



1. Cooking level display zone
2. Upper/increase button
3. Lower/decrease button
4. Timer setting LED display
5. Timer setting button
6. Hob button control lock On/Off
7. Hob On/Off button
8. Rear left-hand cooking zone button
9. Front left-hand cooking zone button
10. Rear right-hand cooking zone button
11. Front right-hand cooking zone button

Using your Ceramic Hob

Getting the most from your appliance

Timer



To use the timed cooking, first set the power level by following the instructions given in paragraphs "Hobs with touch-control buttons".

Now, with the hob NOT locked out (if it is locked out, press the  button to enable the functions), press the timer setting button.

Between the symbols "+" and "-" of the first active cooking zone, a LED light will turn on to indicate that the minutes is ready to be setted.

The automatic operation minutes of the cooking zone can be increased or decreased by using the "+" and "-" buttons beside.

After 5 seconds have gone by since the last time it is pressed, the timer will start and the cooking zone will operate until the display above the timer setting button reaches 0. At this point the cooking zone will automatically turn off.

It is also possible to use the timed cooking function on more than one cooking zone at the same time. Once the timer is setted on the first zone, press timer setting button to shift the timer controls over to the next active zone (the LED light between the buttons "+" and "-" of the second active cooking zone will be activated) and then set the cooking duration as previously described.

When the timed cooking is active on several cooking zones at the same time, the display between the buttons "+" and "-" of the cooking zone will alternatively turn on and at the same time the minutes display found on the timer setting button will show the time remaining for the zone with the LED light on.

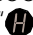

Modifying the data set

During timed cooking, to change the power of the cooking zone, you have to press the relevant cooking zone button, then press "+" and "-" buttons to increase or reduces the power.







To change the remaining time of a zone, you have to press timer setting button until the LED light in the cooking zone turns on. Now it will be possible to change the operating time by working with the buttons "+" and "-" of the timer.

Residual heat



Each cooking zone is equipped with a residual heat warning device. After any zone is switched off, a flashing  may appear on the display. This warns that the cooking zone concerned is still very hot. Cooking can be restarted while the  is flashing;

Control circuit board thermal protection

If the cooking zones cause overheating of the internal electronic circuit board, the heat will be switched off automatically. This switches off power to the front zones, and the letters  and  flash alternately on the power LED. If the circuit board does not cool down, power to all the cooking zones is switched off, and the power LED display the text    . Cooking can be resumed once the temperature has dropped below the safety threshold.


Operator Error



If the user makes a mistake when using the touch buttons, an  appears on the power display; it will remain there as long as the user continues to press the button being used incorrectly.

Switching off the cooking zones

The cooking zones are switched off when the operational power display indicates 0. The zone will automatically deactivate 5 seconds after the display shows 0.


If the cooking zones are hot, the blinking residual heat " " will appear after they are switched off.

Using your Ceramic Hob

Getting the most from your appliance

Switching off

To switch the hob off, hold down  button for 1 second; This deactivates all cooking zones even if they are in use or the lock-out function is active, and the hob will turn off completely.

If the cooking zones have just been used,  will start flashing a few seconds after the hob is turned off to warn that they are still hot.

Cooking tips

For best results and energy saving, only use pans suitable for electric cooking:

- The bottom of the pan must be very thick and perfectly flat; before placing on the cooking hob, make sure that the pan, as well as the cooking hob itself, is perfectly clean and dry.
- To avoid scratching of the cooking hob, never use cast-iron pans or pans with a rough bottom.
- To avoid waste of energy, make sure that the diameter of the pan bottom is 20mm bigger than the circle marked on the hob.



Care and maintenance

5



Care and maintenance

Looking after your appliance

Cleaning and maintenance



Before any intervention, disconnect the power supply of the device.

Cleaning the ceramic hob

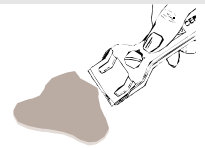


The hob should be regularly cleaned; preferably after every use, once the residual heat warning lights have gone off.

Smudges from aluminum-bottom pans can be easily cleaned off with a cloth dampened in vinegar.

Remove any burnt residues after cooking with the scraper; rinse with water and wipe dry with a clean cloth. Regular use of the scraper considerably reduces the need for chemical detergents for the daily cleaning of the hob.

Never use abrasive or corrosive detergents (e.g. cleaning powders, oven sprays, spot-removers, wire sponges).



NEVER USE A STEAM JET TO CLEAN THE APPLIANCE.

Care and maintenance

Looking after your appliance

Technical specification

Model	LSBCHP
Voltage and frequency	220-240V AC/50Hz
Product dimension	580*510*50mm
Big cooking zone power	1800W
Small cooking zone power	1200W
Total power	6000W

We apologise for any inconvenience caused by minor inconsistencies within these instructions that may occur due to product improvements and development

All images and drawings are for illustration purposes only.

Product support 6



Product support

Help is always at hand

Troubleshooting

DO NOT ATTEMPT TO REPAIR THIS APPLIANCE YOURSELF.

CALL BUSH PRODUCT SUPPORT ON 01759 487838 OR CONSULT A QUALIFIED ELECTRICIAN

PROBLEM	POSSIBLE CAUSES	WHAT TO DO?
The hob doesn't work	<ul style="list-style-type: none">- The hob is not wired in or switched on at the wall.- There is a power failure	<ul style="list-style-type: none">- Switch on at the wall- Check power supply
The results of cooking are unsatisfactory	<ul style="list-style-type: none">- Temperature is too high or too low- Wrong shelf position- Wrong type of dish- Cooking time is incorrect	<ul style="list-style-type: none">- Consult cooking tips
The hob smokes	<ul style="list-style-type: none">- The hob is dirty- Food has spilled over	<ul style="list-style-type: none">- Clean the hob once cooking is finished. Let it cool first.- Use a larger pan
The cooking zones do not come on during timed cooking	<ul style="list-style-type: none">- Timed cooking programming error	<ul style="list-style-type: none">- Check the instructions for timer

If you require any technical guidance or find that your product is not operating as intended, a simple solution can often be found in the **Troubleshooting** section of these instructions,

Product support

Help is always at hand

Help and assistance

If you require any technical guidance or find that your Ceramic Hob is not operating as intended, a simple solution can often be found in the **Troubleshooting** section of these instructions or online at **www.bush-support.com**

If you still require further assistance, call one of our experts on **01759 487838***. To help give us give you a fast and efficient service please have the following information ready:

Model Ref.	<input type="text"/>	You can find these on the rating plate - a small information panel (usually a sticker or metal plate) on the rear of your appliance
Serial number	<input type="text"/>	
Date of purchase	<input type="text"/>	This will be shown on your receipt

Local call rates applies*

Lines open 8am-7pm Monday to Saturday and 10am-4pm Sunday.

*Calls to BUSH enquiry lines may attract a charge and set up fee from residential lines depending on your call plan/tariff. Mobile and other providers costs may vary, see www.bt.com/pricing for details.

For Security and training purposes, telephone calls to and from customer service centres maybe recorded and monitored. Calls from Republic of Ireland will attract international call charges.

or online at **www.bush-support.com** If you still require further assistance, call one of our experts on **01759 487838**

Product support

Help is always at hand

Declaration of conformance to product standards

This appliance conforms to all relevant standards applicable to domestic appliances sold in the UK

Disposal



This appliance/fitting is marked according to the European directive 2012/19/EU on Waste Electrical and Electronic Equipment (WEEE).

By ensuring this product is disposed of correctly, you will help prevent potential negative consequences for the environment and human health, which could otherwise be caused by inappropriate waste handling of this product.

The symbol on the product, or on the documents accompanying the product, the **crossed out wheellie bin** symbol, indicates that this appliance/fitting may not be treated as household waste. Instead it shall be handed over to the applicable collection point for the recycling of electrical and electronic equipment.

Disposal must be carried out in accordance with local environmental regulations for waste disposal.

For more detailed information about treatment, recovery and recycling of this product, please contact your local authority, your household waste disposal service or the retailer where you purchased the product.



Call us now and activate your 12 month guarantee

Thank you for choosing Bush. Your new product is guaranteed against faults and breakdowns for 12 months. Don't forget to register it with us today so we can provide you with our best possible after-sales service and useful updates.

www.bushregistration.co.uk

FREEPHONE*

0800 597 8548

Lines are open 8am - 8pm, 365 days a year. *Calls may be recorded and monitored.

Your Bush Guarantee

This product is guaranteed for twelve months from the date of original purchase. Any defect that arises due to faulty materials or workmanship will be repaired free of charge (or if applicable the product will be replaced or the purchase price refunded) where possible during this period by the dealer from who your purchased the unit.

The guarantee is subject to the following provisions:

- The guarantee does not cover accidental damage, misuse, cabinet parts, knobs or consumable items.
- The product must be correctly installed and operated in accordance with the instructions contained in the manual.
- It must be used solely for domestic purposes. The guarantee will be rendered invalid if the product is re-sold or has been damaged by inexpert repair.
- Specifications are subject to change without notice.
- Bush disclaim any liability for loss or damage arising from the breakdown of the product.
- This guarantee is in addition to and does not diminish your statutory or legal rights.

Important Data Protection Information

To find out how we and Domestic & General Insurance Plc use your data please refer to the guarantee registration material or visit www.bushregistrations.co.uk

Guarantor: Argos Limited - 489 - 499 Avebury Blvd. - Milton Keynes - MK9 2NW

or online at www.bush-support.com If you still require further assistance, call one of our experts on **01759 487838**

BUSH



Contact:

www.bush-support.com

Helpline: 01759 487838