

MCGREGOR

ORIGINAL INSTRUCTION MANUAL



McGreggor Lawn Aerator

(Model: GD-8203-02
Cat No.: 8628996)

Please read these instructions fully before starting assembly

These instructions contain important information that will help you get the best from your lawn aerator, ensuring it is assembled correctly. If you need help or have damaged or missing parts, call the Customer Helpline on **0345 640 0800**

**AFTER SALES SUPPORT
0345 640 0800**

Contents

Safety Information.....	3
Technical data.....	3
Assembly.....	3
Use.....	4
Warning	4
Care.....	4



Safety Information

Important - Please read these instructions fully before operating or maintaining

The lawn spreader is not a toy and should be stored out of the reach of children.

Technical data

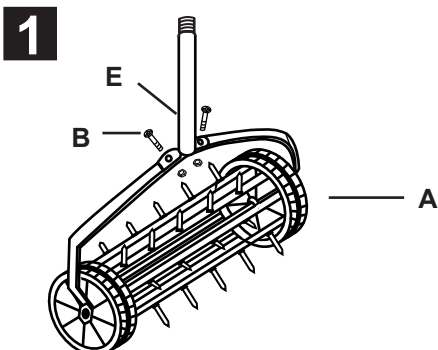
Parts

Model: GD-8203-02
 Aerating width: 44cm
 Dimensions: 44x21x154cm
 Weight: 3.5kgs
 List of components
 A. Head
 B. Screw fittings
 C. Tube-A
 D. Tube-B
 E. Tube-C

PART No.	DESCRIPTION	DIAGRAM	QTY.	PART No.	DESCRIPTION	DIAGRAM	QTY.
A	Head		1	C	Tube-A		1
B	Screw fittings		2	D	Tube-B		1
				E	Tube-C		1

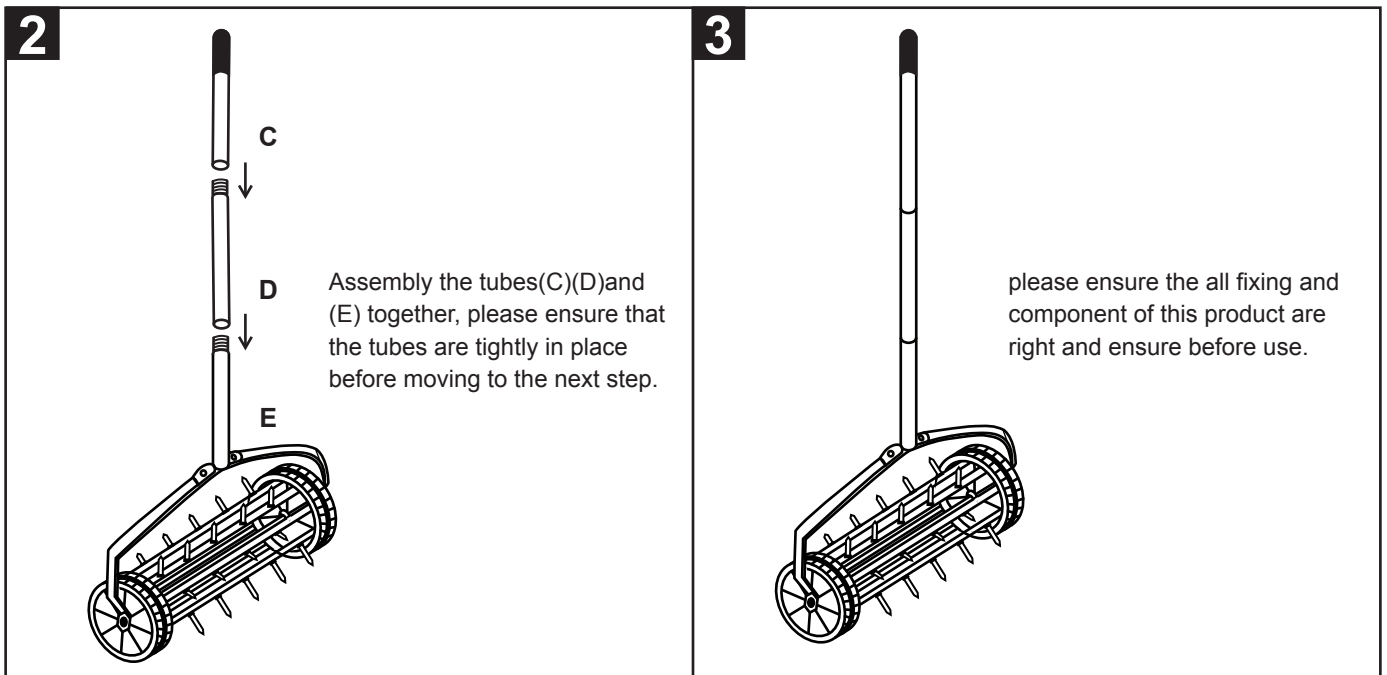
Assembly

Before you begin you should read through this instructions and familiarize yourself with each step of assembly. Do not discard any of the packaging until you have checked that you have all the parts. To avoid damaging any of the components, lay out and assemble the unit on a floor. Keep fittings and plastic packaging out of children's reach. If any of the components are dusty, clean with a duster or damp cloth, do not use abrasive cleaners.



1. Using (B) part screw fittings screw the head (A) to the tube (E), please sure to righted all fixings security.

Assembly



Use

Operation

The aerator should not be pulled, best results are obtained when the lawn is wet, And in dryer conditions, effective aeration can be achieved by applying more pressure on the handle.

Warning

Avoid the spokes coming in contact with your body,they are sharp and could result in injury if not used correctly.

Care

Thoroughly clean the spokes and wheels after use and before storing,keep in a dry area.To maintain the functionality of this item regularly lubricate all moving parts.