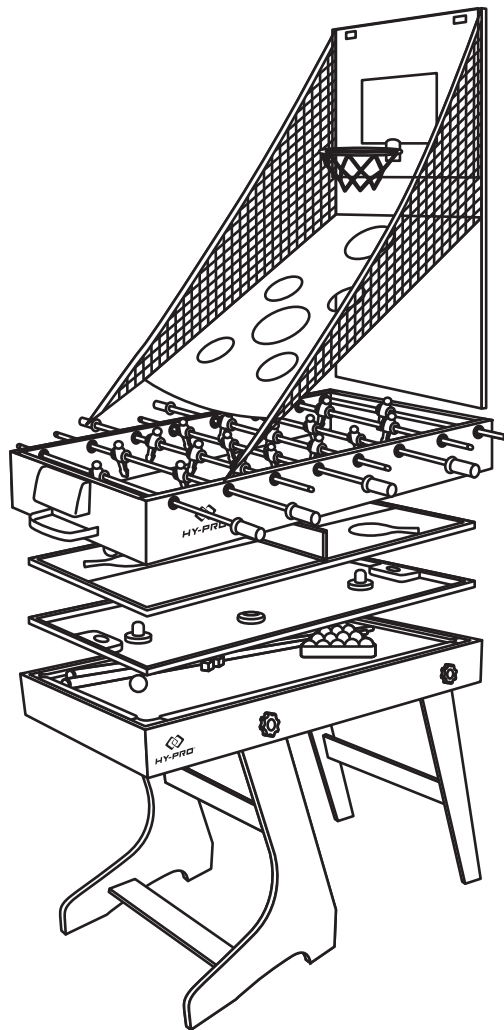




**HY-PRO®**

## Hypro 8 In 1 Folding Multi Games Table



**Warning:** Not suitable for children under 3 years due to small parts-  
CHOKING HAZARD

-Caution! Adult assembly required.

-Sharp point on screws; unpack and assemble with care. Keep small parts and polybag away from children during & after assembly. You need a wrench and screwdriver (not included) to assemble.

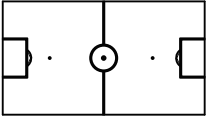
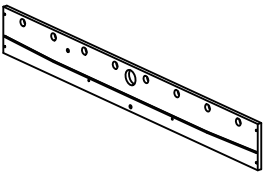
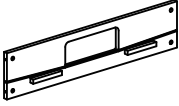
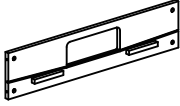

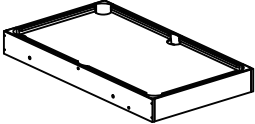
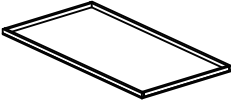
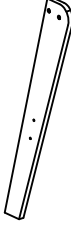
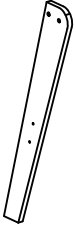


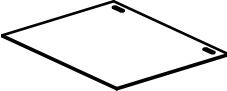
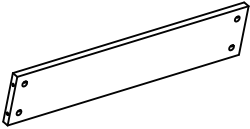
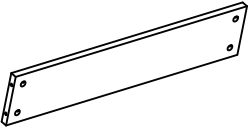
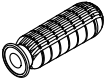
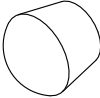





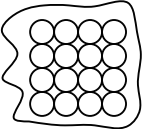


### IMPORTANT!

**Please Keep Your Instructions.** Before attempting assembly, please read through this instruction book to familiarize yourself with all the parts and assembly steps. Please refer to the Parts List below and be sure that all parts have been included.


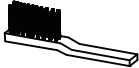
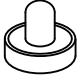

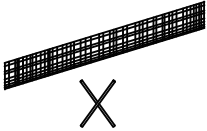
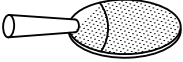

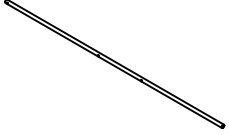
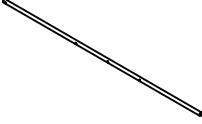
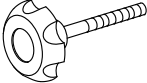




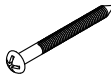



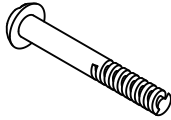
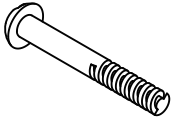

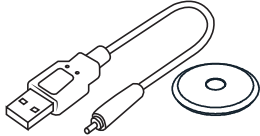
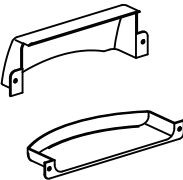
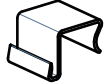
If you have a problem with this product, we want to help. For immediate assistance, please phone: 0800 731 0006

Item: HP05850

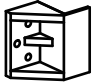

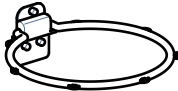
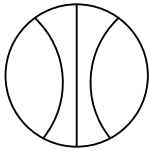
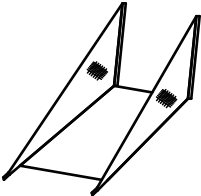

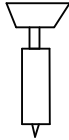

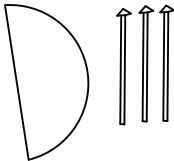
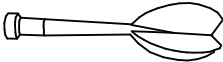
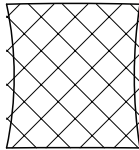

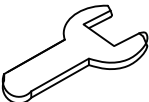
# PARTS LIST

<p><b>#1</b></p>  <p>Playfield 1 Piece</p>	<p><b>#2</b></p>  <p>Side Panel 2 Pieces</p>	<p><b>#3</b></p>  <p>Goal End Panel 1 Piece</p>	<p><b>#4</b></p>  <p>Goal End Panel 1 Piece</p>
<p><b>#5</b></p>  <p>Field support brace 2 Pieces</p>	<p><b>#6</b></p>  <p>Pool table 1 Piece</p>	<p><b>#7</b></p>  <p>Table tennis/ Hockey board 1 Piece</p>	<p><b>#8</b></p>  <p>Leg 1 1 Piece</p>
<p><b>#9</b></p>  <p>Leg 2 1 Piece</p>	<p><b>#10</b></p>  <p>Leg 3 1 Piece</p>	<p><b>#11</b></p>  <p>Leg 4 1 Piece</p>	<p><b>#12</b></p>  <p>Basketball Board 1 Piece</p>
<p><b>#13</b></p>  <p>Leg End Panels 2 Pieces</p>	<p><b>#14</b></p>  <p>Leg End Panels 1 Piece</p>	<p><b>#15</b></p>  <p>Rod handle 8 Pieces</p>	<p><b>#16</b></p>  <p>Rubber end cap 8 Pieces</p>
<p><b>#17</b></p>  <p>Blue player 9 Pieces</p>	<p><b>#18</b></p>  <p>White player 9 Pieces</p>	<p><b>#19</b></p>  <p>Bumper 16 Pieces</p>	<p><b>#20</b></p>  <p>Plastic Washer 16 Pieces</p>
<p><b>#21</b></p>  <p>Rod Stopper 4 Pieces</p>	<p><b>#22</b></p>  <p>Billiard ball 1 Set</p>	<p><b>#23</b></p>  <p>Cue 2 Pieces</p>	<p><b>#24</b></p>  <p>Plastic Triangle 1 Piece</p>

# PARTS LIST

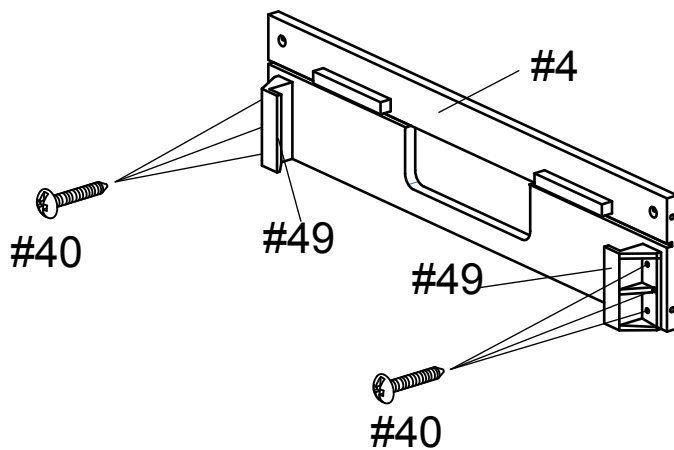
<p><b>#25</b></p>  <p>Chalk 2 Pieces</p>	<p><b>#26</b></p>  <p>Brush 1 Piece</p>	<p><b>#27</b></p>  <p>Pusher 2 Pieces</p>	<p><b>#28</b></p>  <p>Puck 2 Pieces</p>
<p><b>#29</b></p>  <p>Table Tennis Net With Post 1 Set</p>	<p><b>#30</b></p>  <p>Table Tennis Bat 2 Pieces</p>	<p><b>#31</b></p>  <p>Table tennis ball 2 Pieces</p>	<p><b>#32</b></p>  <p>2-man playing rod 2 Pieces</p>
<p><b>#33</b></p>  <p>3-man playing rod 6 Pieces</p>	<p><b>#34</b></p>  <p>40mm bolt 4 Pieces</p>	<p><b>#35</b></p>  <p>41mm bolt 4 Pieces</p>	<p><b>#36</b></p>  <p>Nut 4 Pieces</p>
<p><b>#37</b></p>  <p>6mm washer 12 Pieces</p>	<p><b>#38</b></p>  <p>45mm screw 12 Pieces</p>	<p><b>#39</b></p>  <p>41mm screw 12 Pieces</p>	<p><b>#40</b></p>  <p>14mm screw 6 Pieces</p>
<p><b>#41</b></p>  <p>12mm screw 8 Pieces</p>	<p><b>#42</b></p>  <p>9mm screw 3 Pieces</p>	<p><b>#43</b></p>  <p>18.5mm Bolt 18 Pieces</p>	<p><b>#44</b></p>  <p>17mm Bolt 4 Pieces</p>
<p><b>#45</b></p>  <p>Nut 22 Pieces</p>	<p><b>#46</b></p>  <p>Power puck with USB cable 1 Set</p>	<p><b>#47</b></p>  <p>Goal box 2 Set</p>	<p><b>#48</b></p>  <p>Board bracket 2 Pieces</p>

# PARTS LIST

<p><b>#49</b></p>  <p>table bracket 2 Pieces</p>	<p><b>#50</b></p>  <p>Net Anchor 2 Pieces</p>	<p><b>#51</b></p>  <p>Basket ball Rim 1 Piece</p>	<p><b>#52</b></p>  <p>Basket ball 1 Piece</p>
<p><b>#53</b></p>  <p>Ball Return 1 Piece</p>	<p><b>#54</b></p>  <p>Basket ball net 1 Piece</p>	<p><b>#55</b></p>  <p>Air pump 1 Piece</p>	<p><b>#56</b></p>  <p>Soccer ball 2 Pieces</p>
<p><b>#57</b></p>  <p>bow and arrow 1 Set</p>	<p><b>#58</b></p>  <p>Gel Dart 4 Pieces</p>	<p><b>#59</b></p>  <p>Sand bags 4 Pieces</p>	<p><b>#60</b></p>  <p>Allen Key 1 Piece</p>
<p><b>#61</b></p>  <p>Wrench 1 Piece</p>			

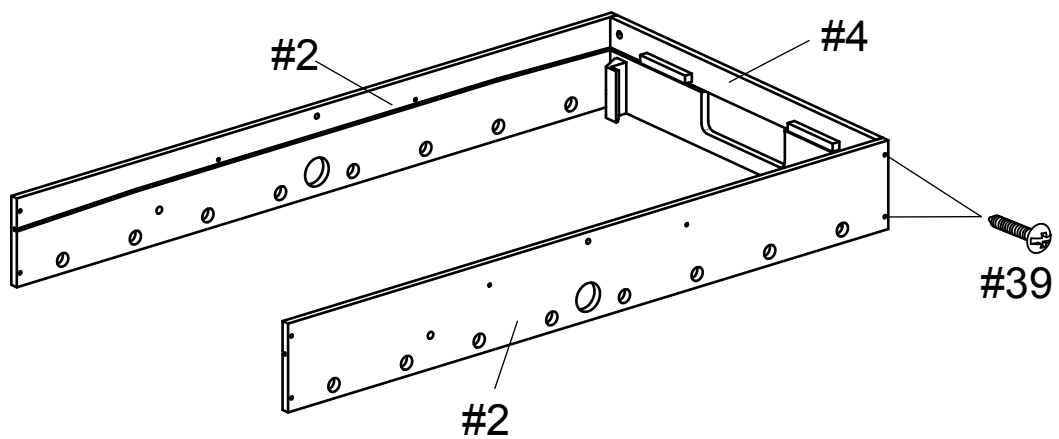
## STEP 1:

Attach the table bracket (part 49) to the goal end panel (part 4) using screw (part 40).



## STEP 2:

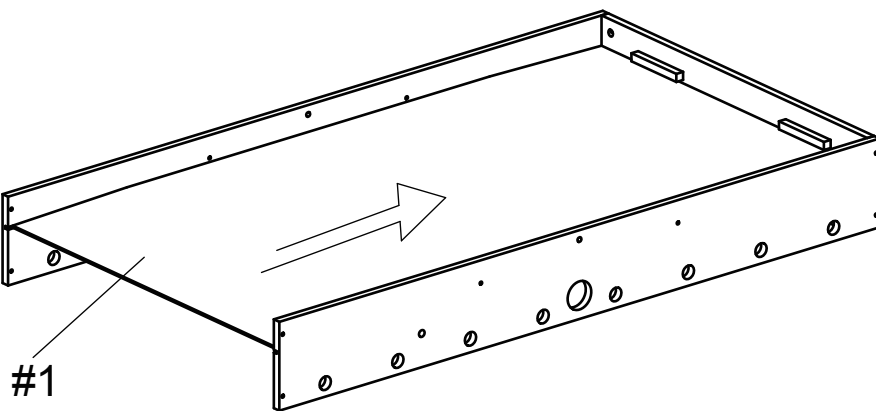
Attach the side panel (part 2) to the goal end panel (part 4) using screw (part 39).



Be sure that the holes in the side panels are closest to the floor.

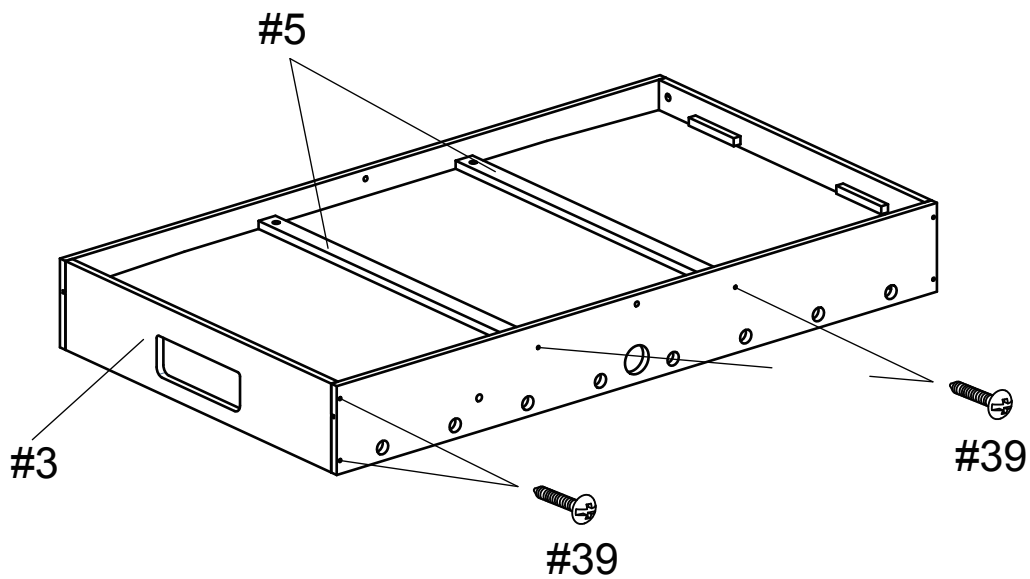
## STEP 3:

Slide the playfield (part 1) into the completed unit. Be sure that the playfield is facing down.



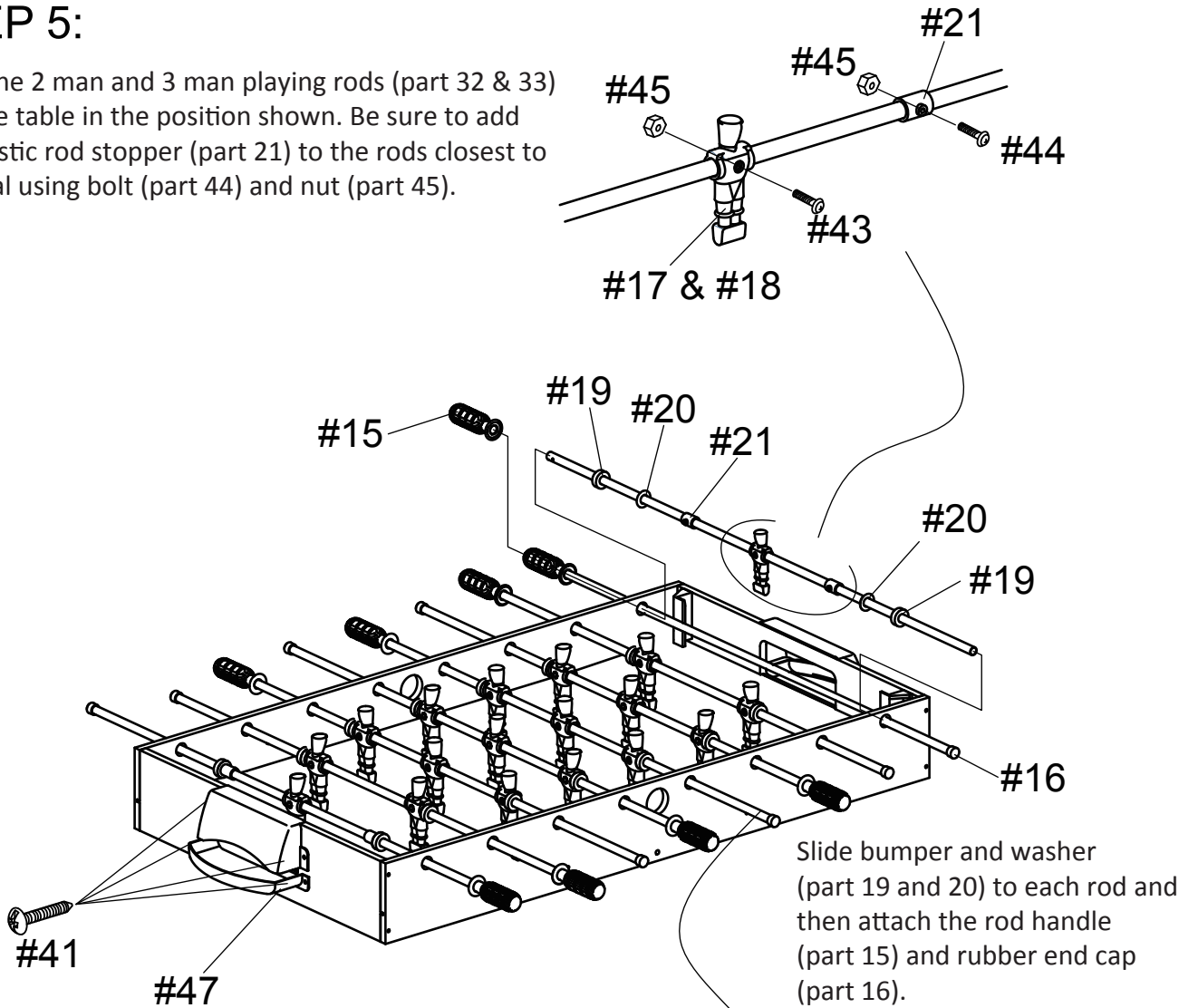
## STEP 4:

Using the predrilled holes attach the field support braces (part 5) to the assembled unit with screw (part 39)

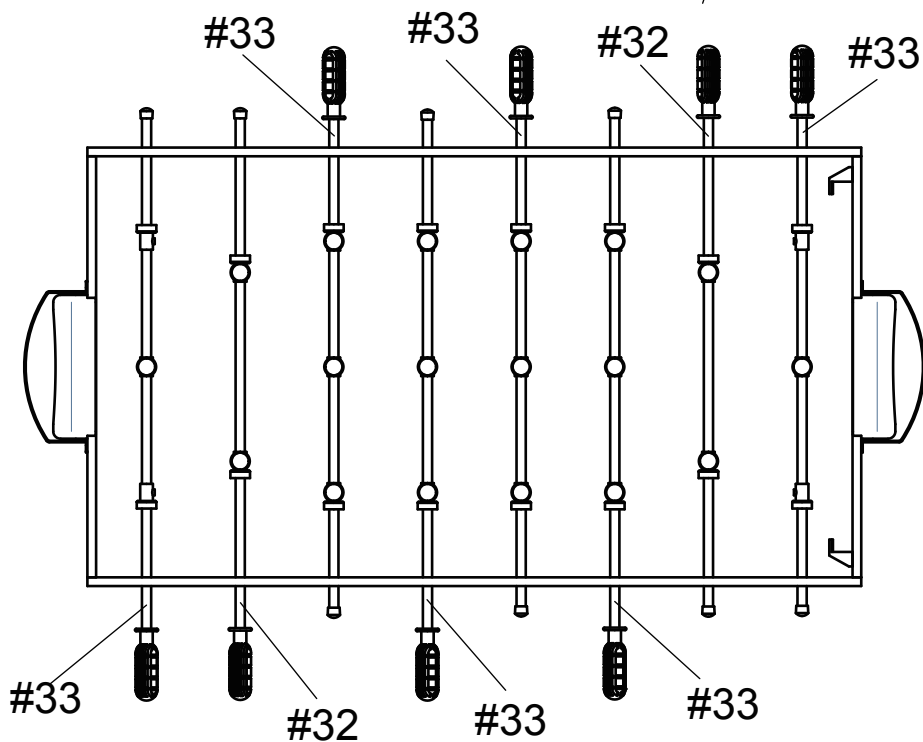


# STEP 5:

Place the 2 man and 3 man playing rods (part 32 & 33) into the table in the position shown. Be sure to add the plastic rod stopper (part 21) to the rods closest to the goal using bolt (part 44) and nut (part 45).

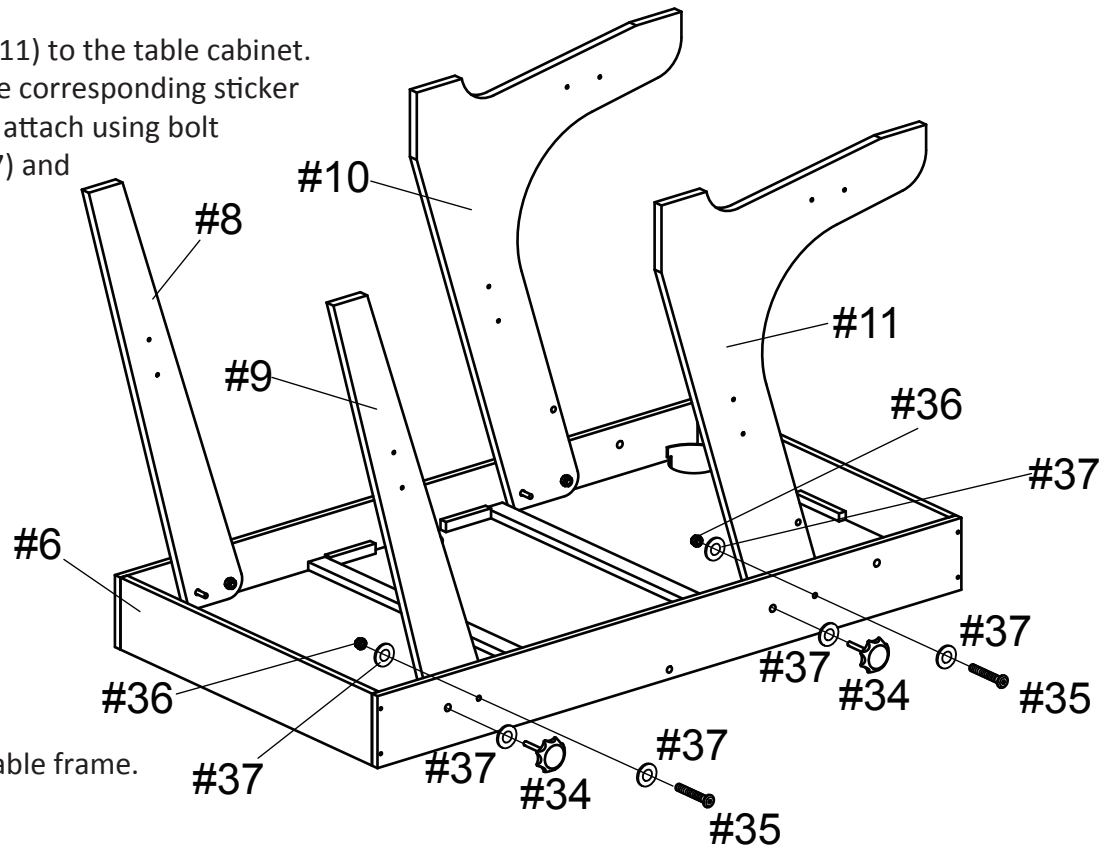


Attach goal box (part 47) using screw (part 41)



## STEP 6:

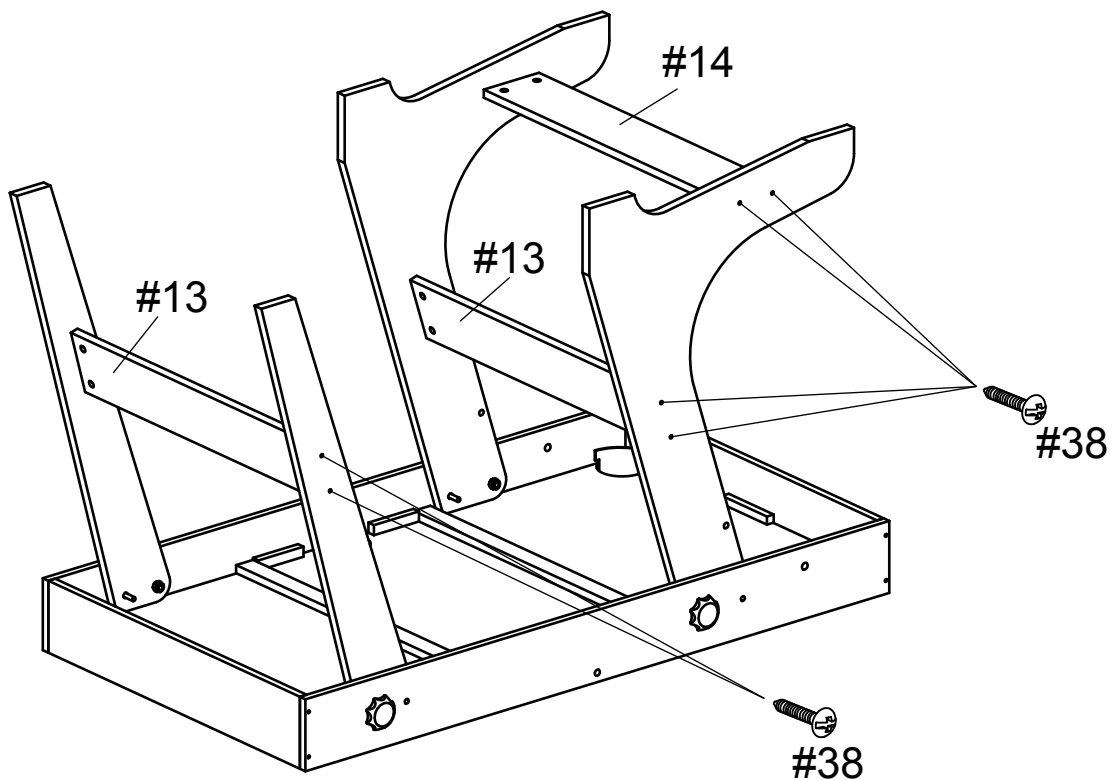
Attach table legs (part 8-11) to the table cabinet. Place each leg next to the corresponding sticker on the table cabinet and attach using bolt (part 35), washer (part 37) and nut (part 36).



Attach bolt and washer (part 34 and 37) to the table frame.

## STEP 7:

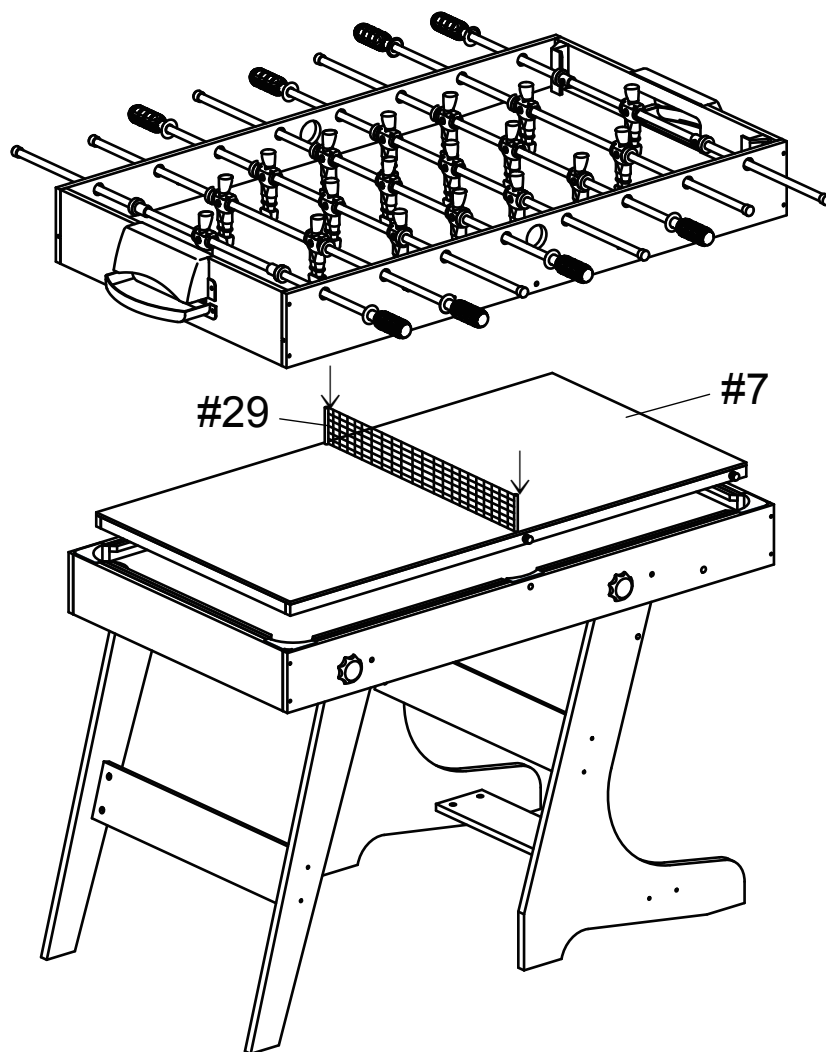
Secure leg end panels (part 13 and 14) to the completed legs using screw (part 38)





## STEP 8:

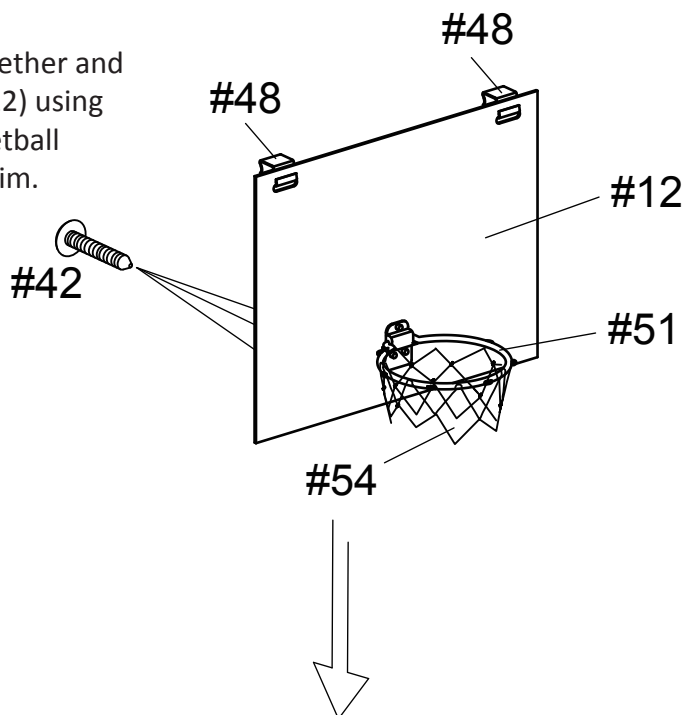
Make sure that all screws and bolts are tight and secure. Using two adults carefully turn the table upright onto its legs.



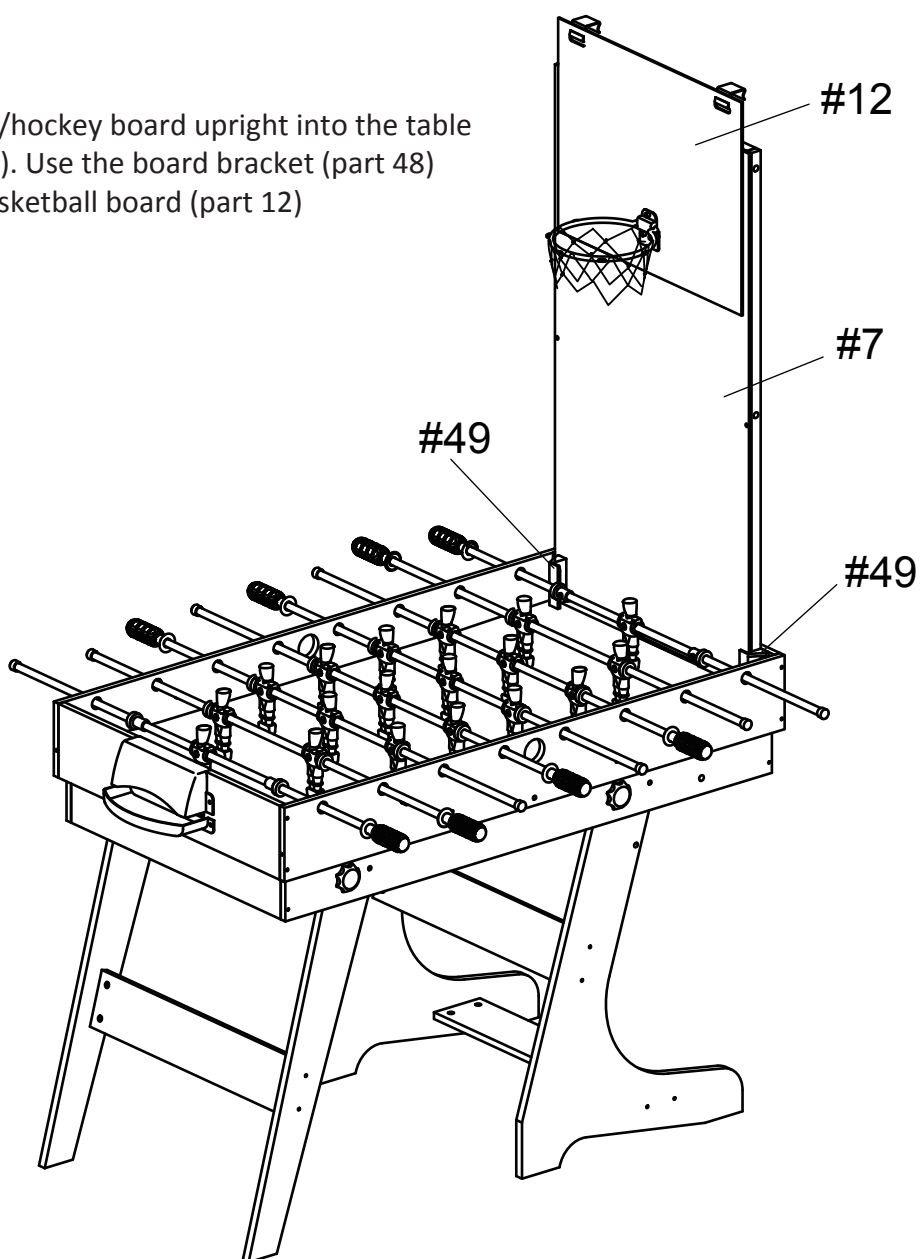
The table tennis net set (part 29) will fit securely into the table tennis/hockey board (part 7).

## STEP 9:

Place the basketball rim (part 51) together and attach to the basketball board (part 12) using screw (part 42). Once done the basketball net (part 54) can be attached to the rim.

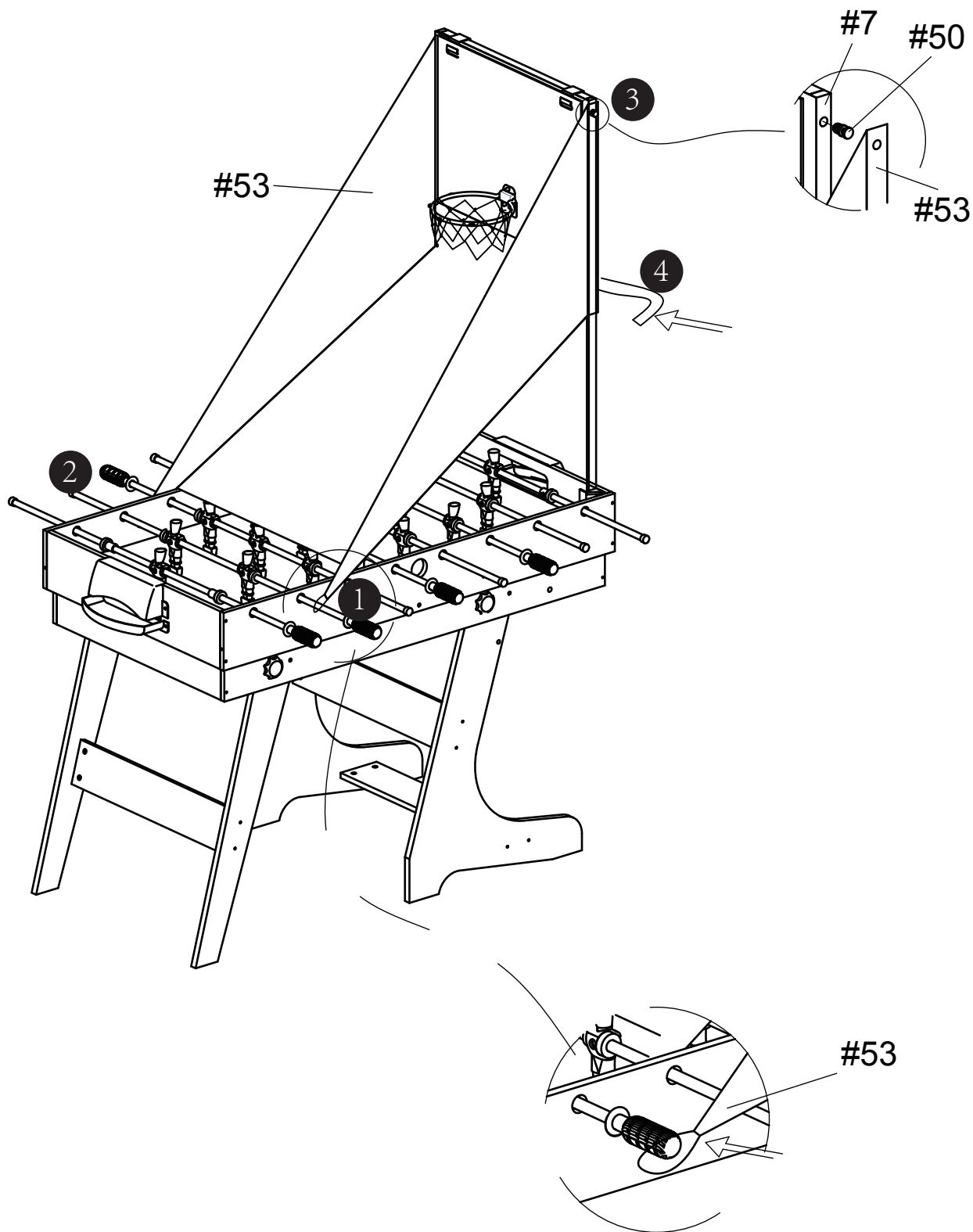


Place the tennis/hockey board upright into the table bracket (part 49). Use the board bracket (part 48) to attach the basketball board (part 12)



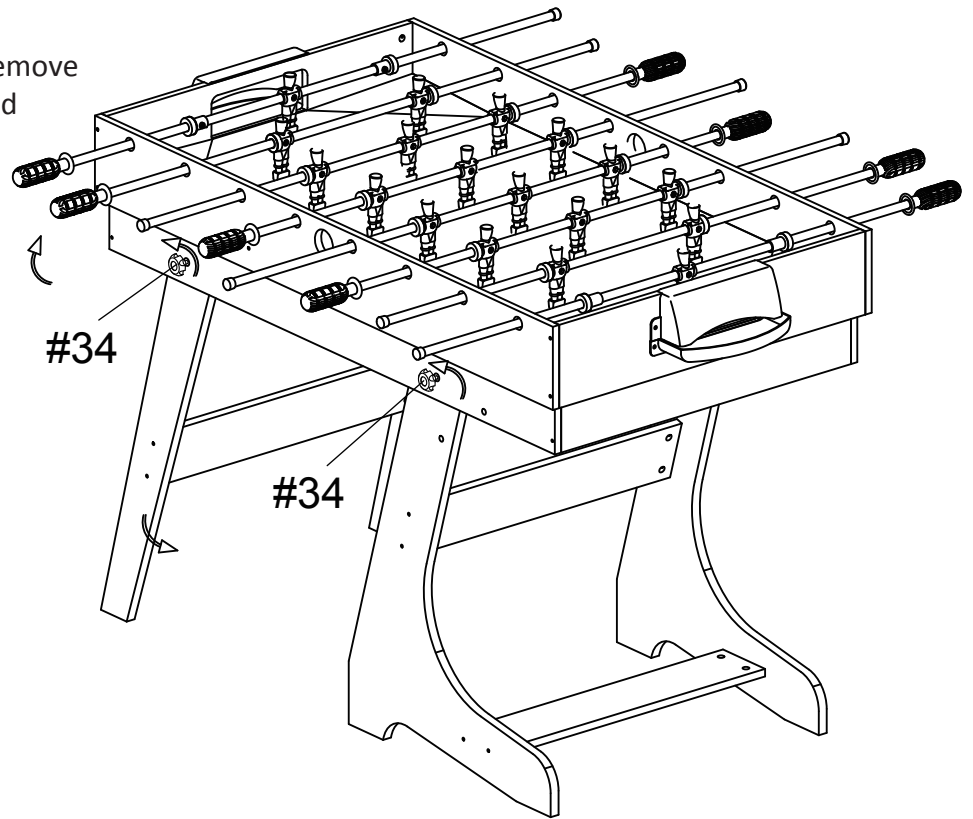
## STEP 10:

Attach the net anchor (part 50) to the top of the table tennis/hockey board. Secure the top of the ball return (part 53) to this anchor and the bottom part to the football playing rod.

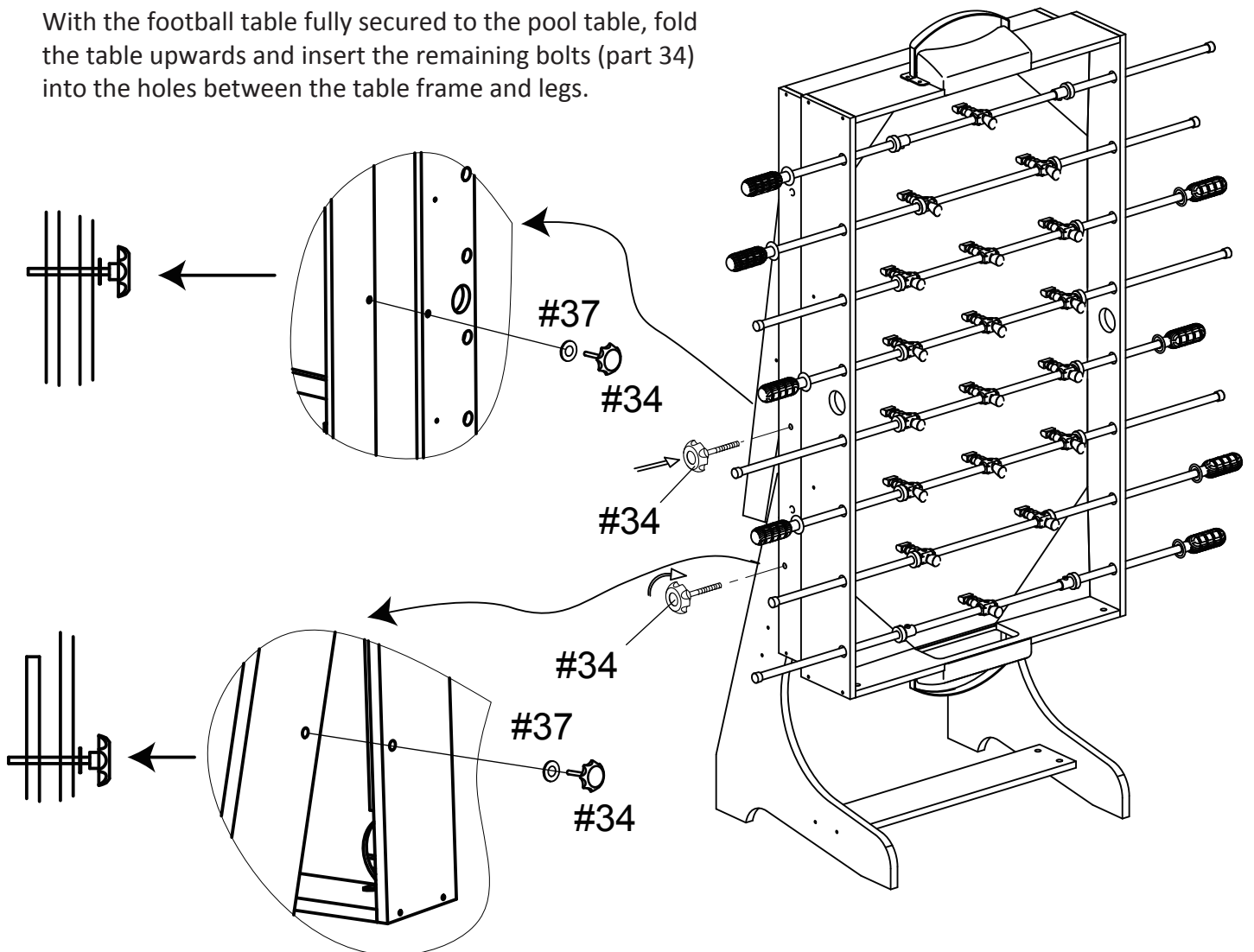


## STEP 11:

To fold the table upwards. Firstly remove the bolt (part 34) from the table and insert 2 x bolt (part 34) into the predrilled hole in the centre of the football table.



With the football table fully secured to the pool table, fold the table upwards and insert the remaining bolts (part 34) into the holes between the table frame and legs.

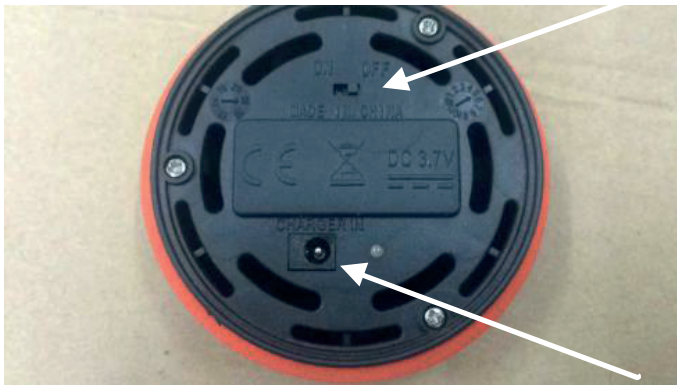




## Instructions for use of the Power Puck:

- Please turn off the Power Puck before charge.
- Please use 1 - 1.5A output charger (not included) or computer to charge the Power Puck.
- Normal charging time is around 50 minutes.
- Please ensure you charge the Power Puck for a minimum of 1 hour for the first initial charge.
- To play with the Power Puck, please turn on the button under the puck.

ON / OFF SWITCH.  
Turn ON, to play.  
Turn OFF to store, or charge.



CHARGE PORT.  
Install USB cable here and connect  
to computer / output charger to charge.

USB PLUG - Connect to computer / output charger.  
(50mins charge time)

