


# Mason metal bunk



IMPORTANT - Retain these instructions for future reference


## Spare Parts

 [www.argos-support.co.uk](http://www.argos-support.co.uk)

 [Help@ClickSpares.co.uk](mailto:Help@ClickSpares.co.uk)

 0370 112 1928

## Customer Support

 0345 640 2020

# A Guide to - Wall Mounting & Fixings

## Important note:

If plastic wall plugs are supplied with your product:



- these are only suitable for use in masonry walls.

If you are in any doubt about the correct wall plugs for your wall, seek professional advice.


Failure of the product due to using incorrect fixings is the responsibility of the installer.



**Important:** When drilling into walls always check that there are no hidden wires or pipes etc.

Make sure that the screws and wall plugs being used are suitable for supporting your unit. Consult a qualified tradesperson if you are unsure.

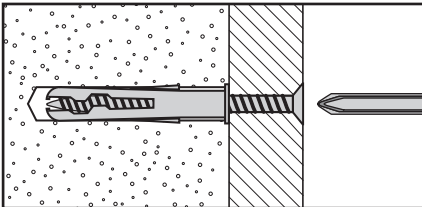
## Hints:

- 1: General rule:**  Always use a larger screw and wall plug if you are not sure.
- 2:** Ensure you use the recommended drill bit to match the wall plug and hole size.
- 3:** Ensure you drill the hole horizontally, do not force the drill or enlarge the hole.
- 4:** Take extra care when drilling high walls, ceilings and ceramic tiles. Ensure wall plugs are inserted beyond the thickness of the ceramic tiles to avoid the tiles splitting or cracking.
- 5:** Ensure wall plugs are well fitted and are a tight fit in the drilled hole.

## Types of walls

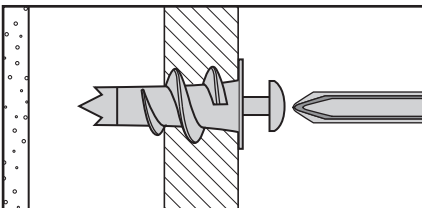
You can use one of the following types of wall plug if your walls are made of brick, breeze block, concrete, stone or wood.

### No.1 "General Purpose" wall plug



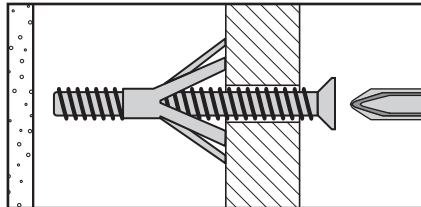
Generally aerated blocks should not be used to support heavy loads, use a specialist fitting in this case. For light loads, general purpose wall plugs can be used.

### No.2 "Plasterboard" wall plug



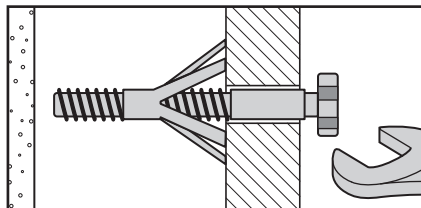
For use when attaching light loads on to plasterboard partitions.

### No.3 "Cavity Fixing" wall plug



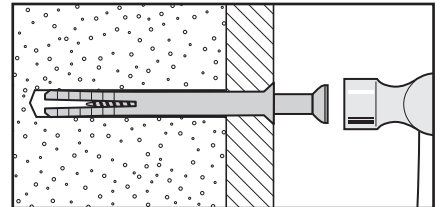
For use with plasterboard partitions or hollow wooden doors.

### No.4 "Cavity Fixing-Heavy Duty" wall plug



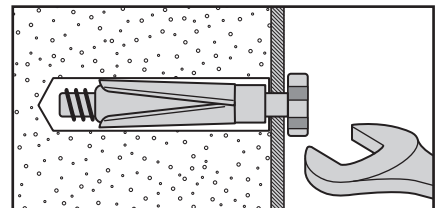
For use when fitting or supporting heavy loads such as shelving, wall cabinets and coat racks.

### No.5 "Hammer Fixing" wall plug



For use with walls stuck with plasterboard. The hammer fixing allows it to be fixed to the wall rather than the plasterboard. Always check the fixing is secure to the retaining wall.

### No.6 "Shield Anchor" wall plug Heavy loads



For use with heavier loads such as TV & HiFi speakers and satellite dishes etc.



## Care & Maintenance

**Safety:** Always check the fitting and location to ensure your safety in and around the home.

**Fitting:** From time to time check the fitting to ensure the wall plugs or screws do not become loose.



# Safety and Care Advice

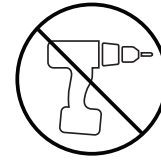
---

## Product Details

Silver 872/4072   White 853/5584   Black 859/3722

## IMPORTANT – READ CAREFULLY – RETAIN FOR FUTURE REFERENCE

- Keep children and animals away from the work area, small parts could choke if swallowed.
- Make sure you have enough space to layout the parts before starting.
- This product has been constructed to be used in the domestic environment only and not for commercial purposes.
- Assemble the item as close to its final position (in the same room) as possible.
- Assemble on a soft level surface to avoid damaging the unit or your floor.



- We do not recommend the use of power drill/drivers for inserting screws as this could damage the unit. Only use hand screwdrivers.
- Parts of the assembly will be easier with 2 people.
- Dispose of all packaging carefully and responsibly.

## Care and maintenance

---

- Only clean using a damp cloth and mild detergent. Do not use abrasive cleaners.
- Use a dry cloth to clean the product, furniture polish is not recommended.
- From time to time check that there are no loose screws, nuts or bolts. If there are please re-tighten.
- This product should not be discarded with household waste. Take to your local authority waste disposal centre.

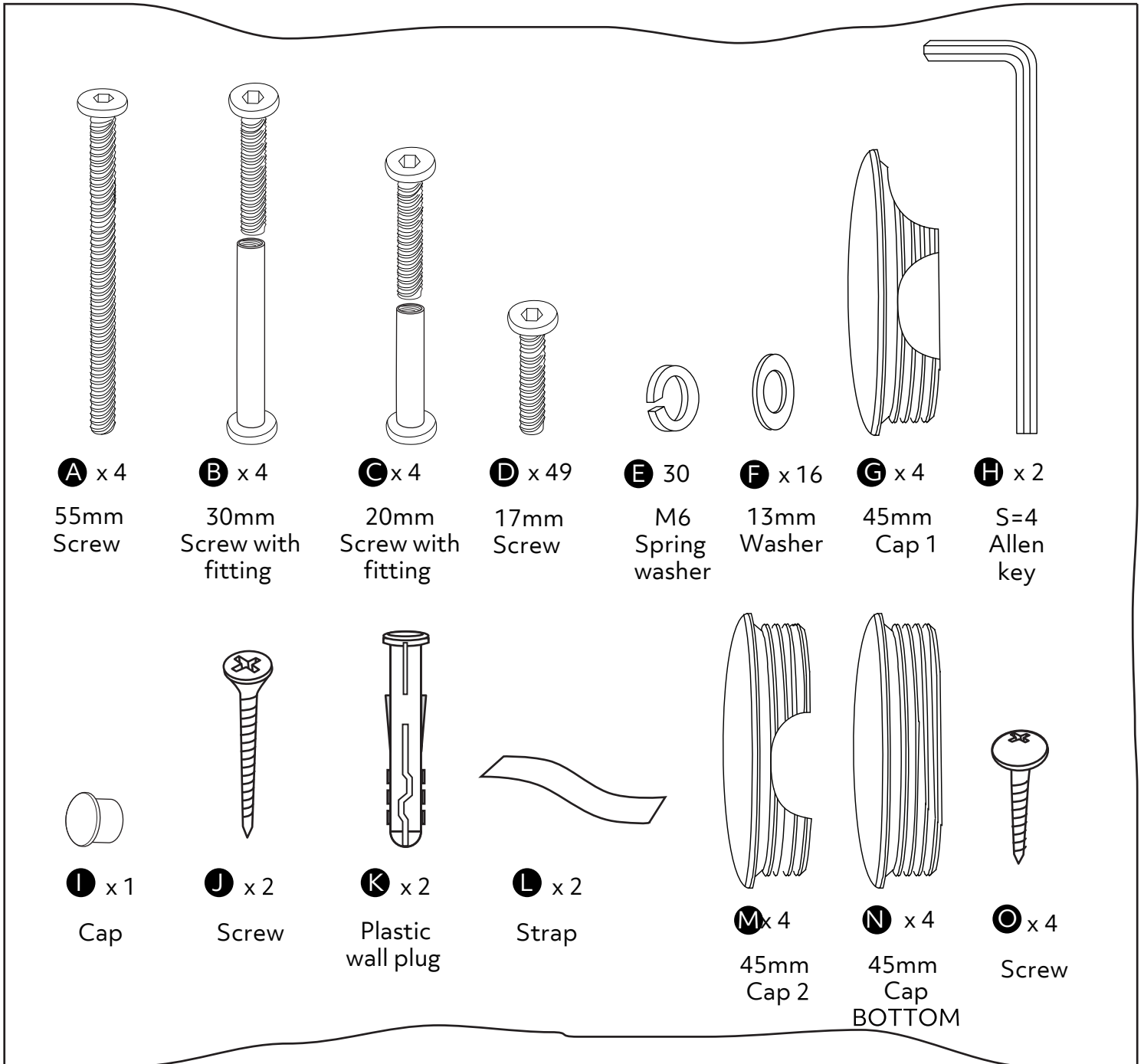
## Additional Guidance

---

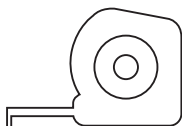
- Assemble all parts and bolts loosely during assembly, only once the product is complete should you fully tighten the bolts. Always follow the manufacturer's instruction.
- Regularly check and ensure that all bolts and fittings are tightened properly.
- This product is tested to meet EN747-1:2012+A1:2015 standards.
- Please ensure that the mattress depth does not go past the permanent RED mark on the post/upper Safety Barrier.
- Maximum thickness of the mattress as determined under 18 CM as well as information regarding the mattress maximum thickness marking. Recommended size of mattress(es): 191cm(L)x91cm(W).
- **WARNING:** High beds and the upper bed of bunk beds are not suitable for children under six years due to the risk of injury from falls.
- **WARNING:** Bunk beds and high beds can present a serious risk of injury from strangulation if not used correctly. Never attach or hang items to any part of the bunk bed that are not designed to be used with the bed, for example, but not limited to ropes, strings, cords, hooks, belts and bags.
- **WARNING:** Children can become trapped between the bed and the wall, a roof pitch, the ceiling, adjoining pieces of furniture (e.g. cupboards) and the like. To avoid risk of serious injury the distance between the top safety barrier and the adjoining structure shall not exceed 75mm or shall be more than 230mm.
- **WARNING:** Do not place this child's bed near heat sources, windows and other furniture.
- **WARNING:** Do not use this child's bed if any part is broken, torn or missing.
- The ventilation of the room is necessary in order to keep the humidity low and to prevent mould in and around the bed.

# Fittings (Shown to scale)

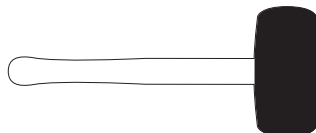
## Bag 1



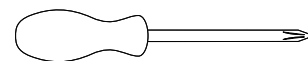
## Tools required



Ruler/tape measure

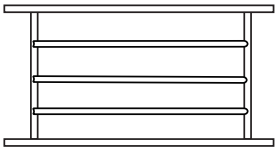


Mallet

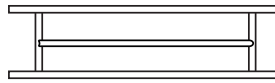


Phillips screwdriver (small & medium)

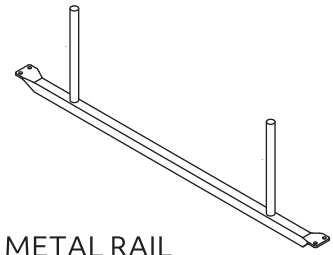
# Components



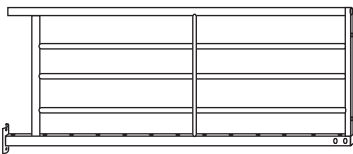
**1** HEADBOARD x 2  
(975 x 352mm)



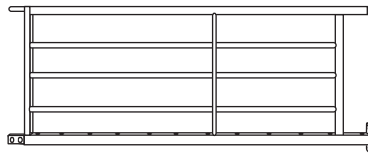
**2** FOOTBOARD x 2  
(975 x 190mm)



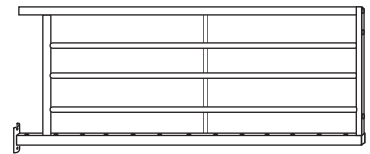
**3** METAL RAIL  
(305x958mm)



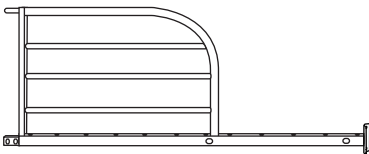
**4** SAFETY BARRIER (BACK)  
(980 x 377mm)



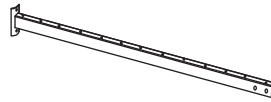
**5** SAFETY BARRIER (BACK)  
(970 x 377mm)



**6** SAFETY BARRIER (FRONT)  
(980 x 377mm)



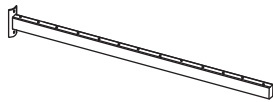
**7** SAFETY BARRIER (FRONT)  
(970 x 377mm)



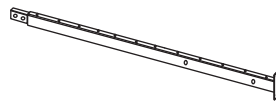
**8** SIDE RAIL (BACK)  
(20 x 40 x 980mm)



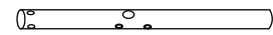
**9** SIDE RAIL BACK (BACK)  
(20 x 40 x 970mm)



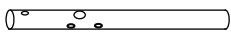
**10** SIDE RAIL (FRONT)  
(20 x 40 x 980mm)



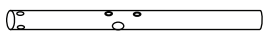
**11** SIDE RAIL (FRONT)  
(20 x 40 x 970mm)



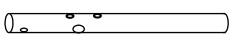
**12** TOP HB/FB POST (LEFT) x2  
( $\varnothing$ 45x 660mm)



**13** BOTTPM HB/FB POST (LEFT) x2  
( $\varnothing$ 45x 500mm)



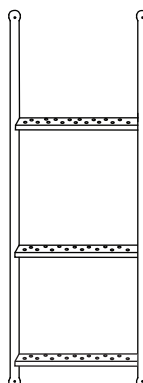
**14** TOP HB/FB POST (RIGHT) x2  
( $\varnothing$ 45x 660mm)



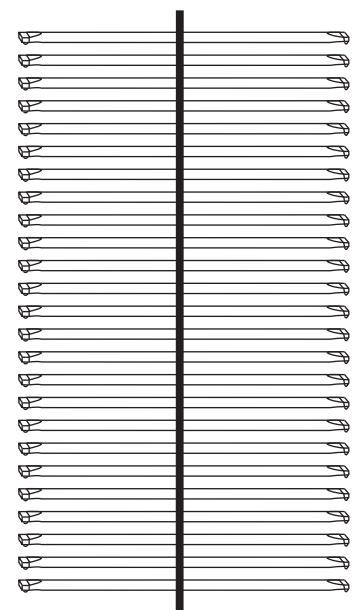
**15** BOTTOM HB/FB POST (RIGHT) x2  
( $\varnothing$ 45x 500mm)



**16** CONNECTION TUBE x4  
( $\varnothing$ 45x 475mm)

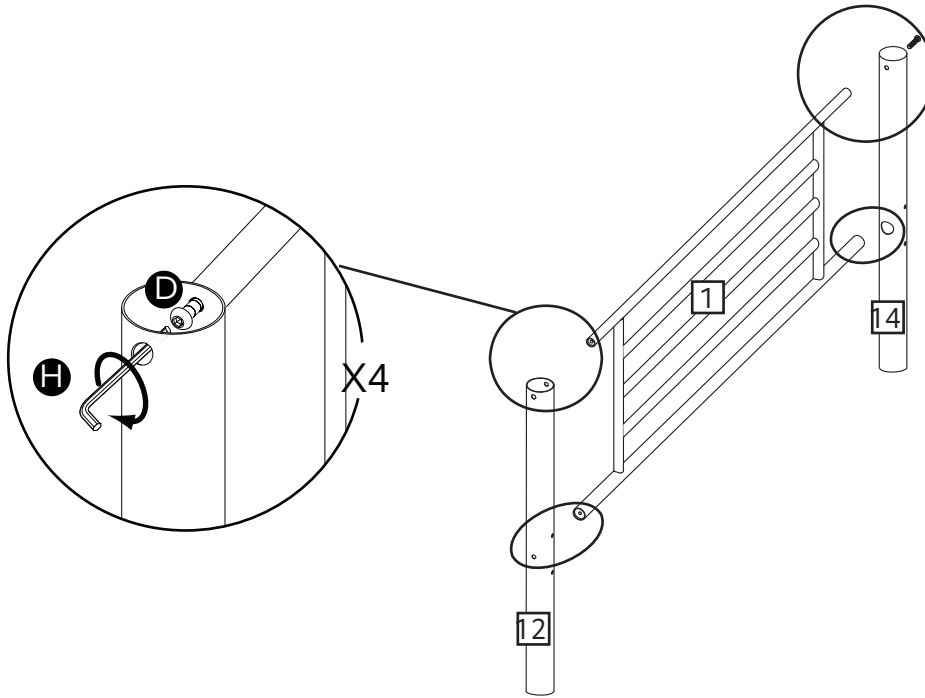
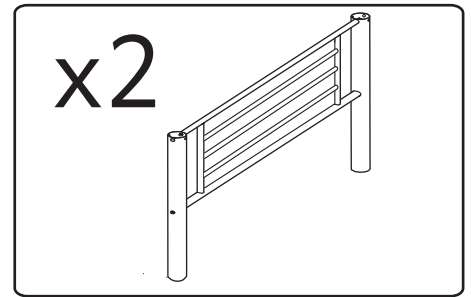
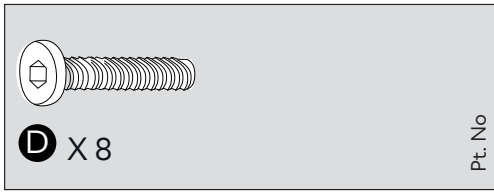


**17** LADDER  
(908 x 350mm)

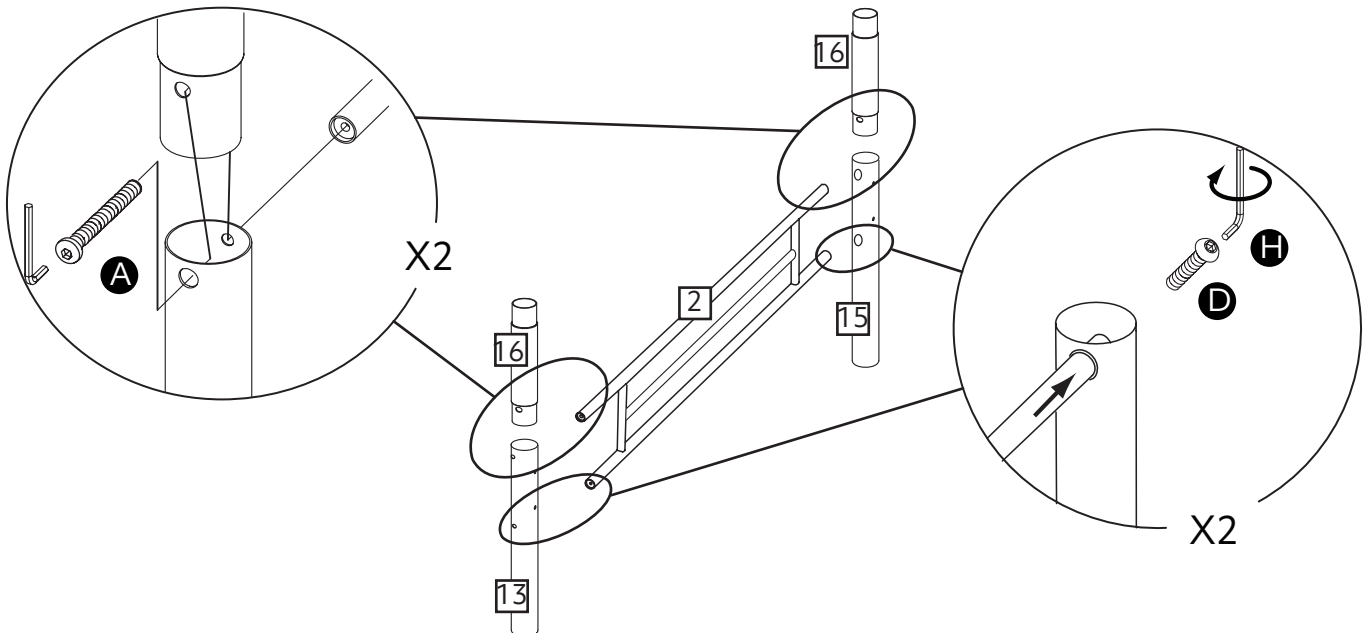
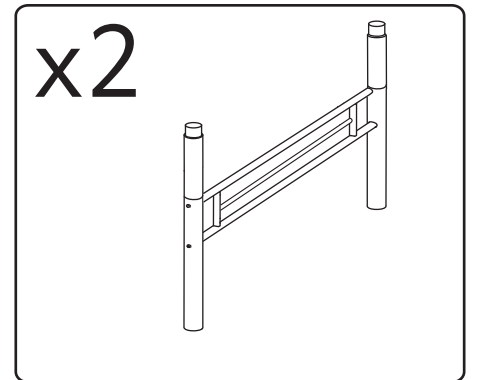
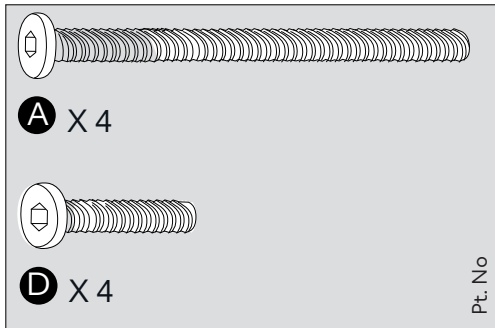


**18** METAL SLATS  
(25PCS TUBES WITH STRAP)x2 3  
(1850 x 960mm)

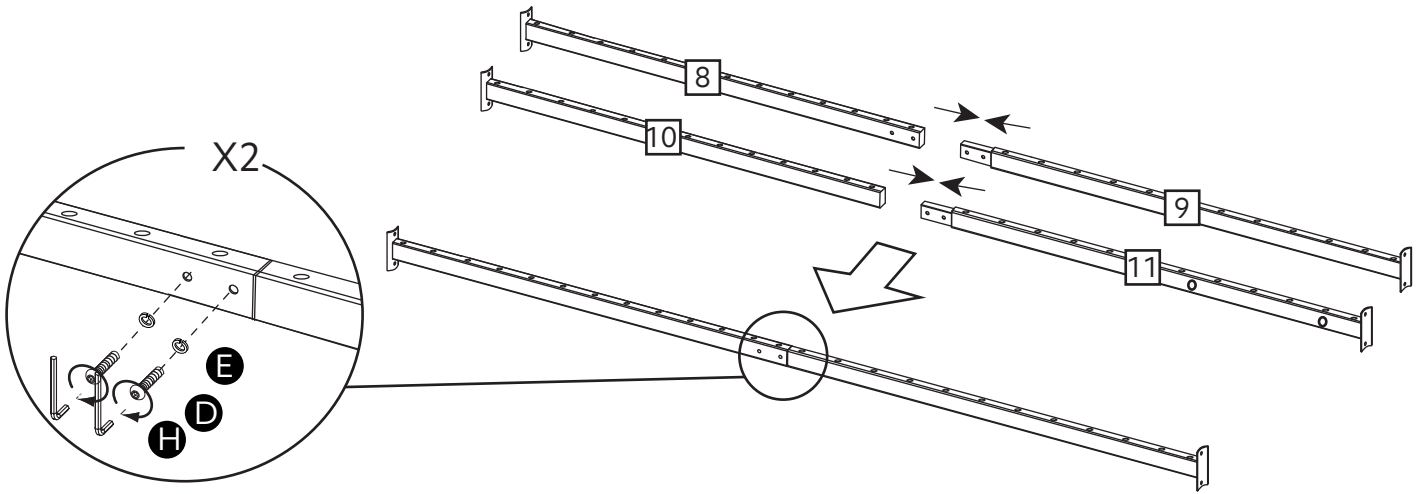
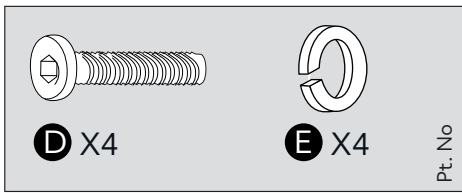
# 1



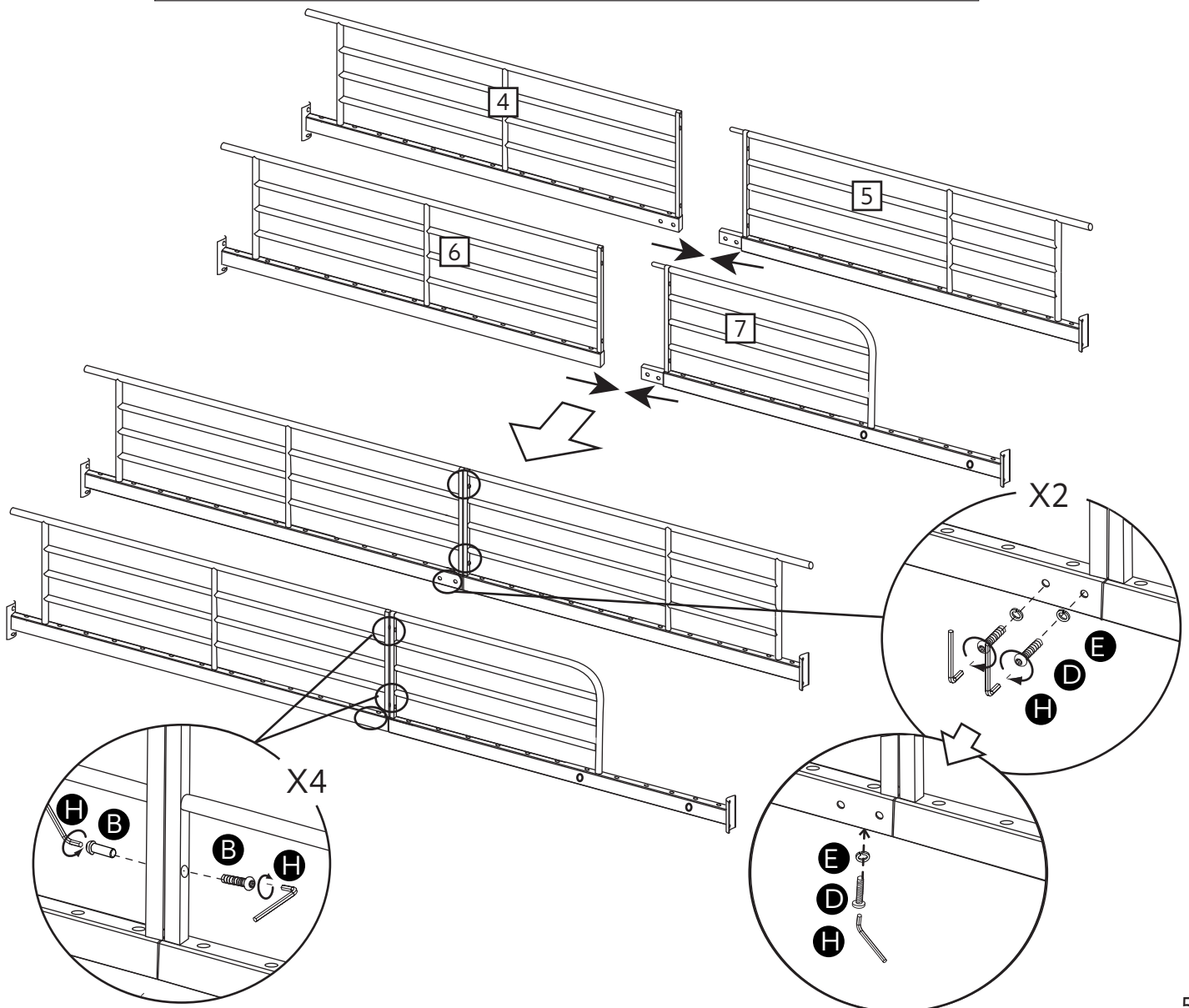
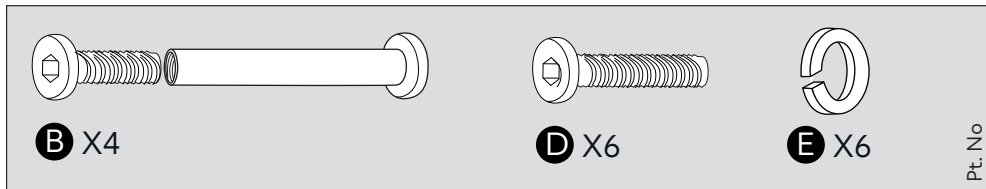
# 2



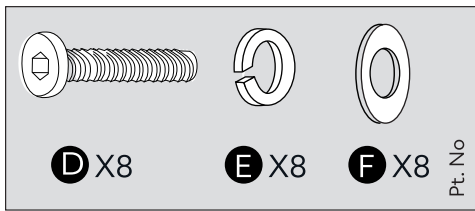
# 3



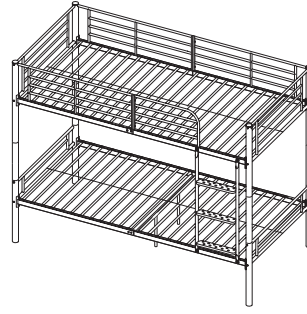
# 4



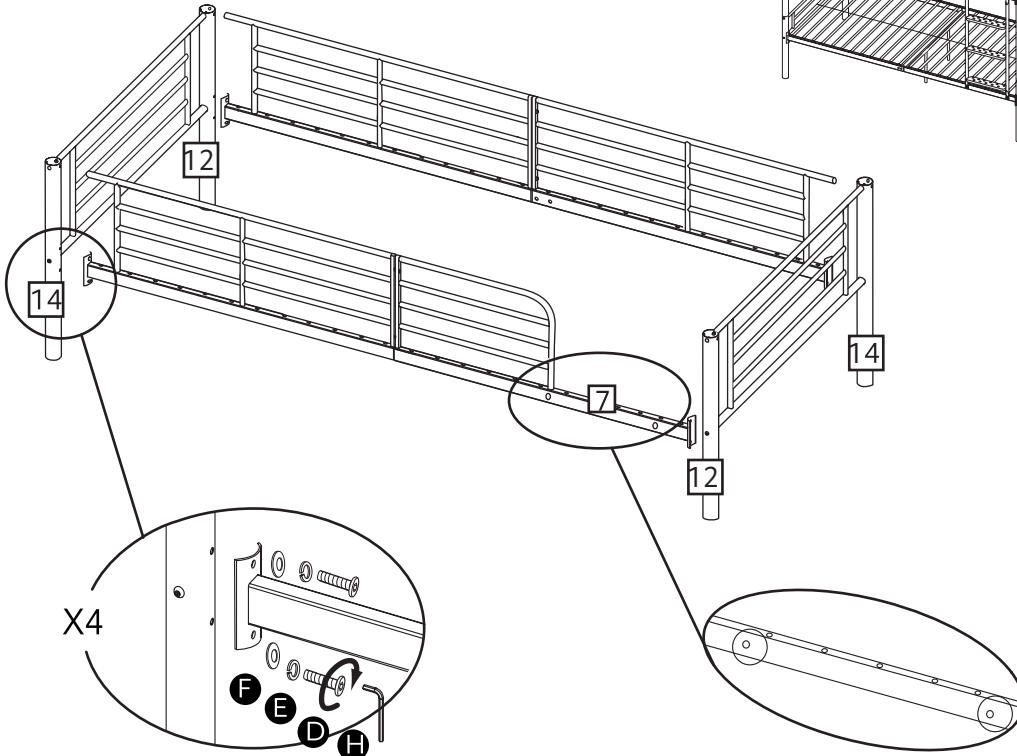
# 5



Option for right upper bunk entry



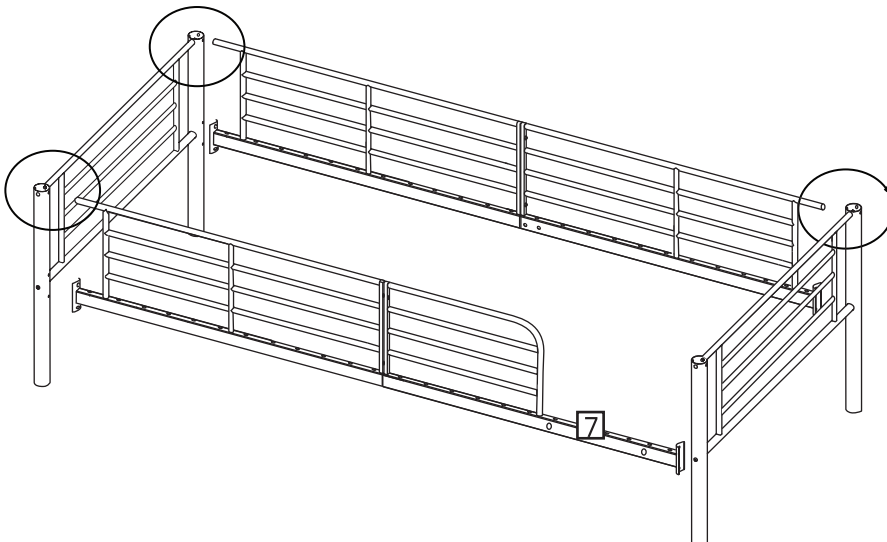
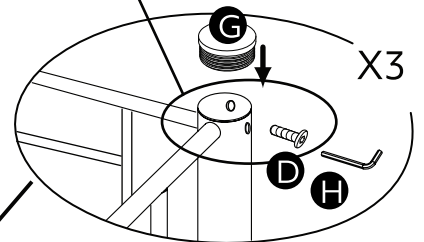
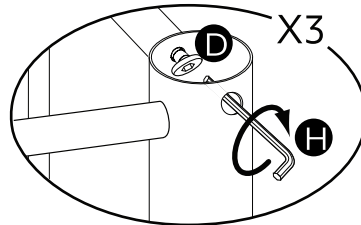
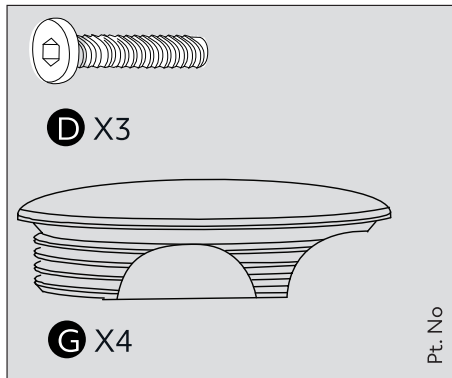
Option for left upper bunk entry



X4

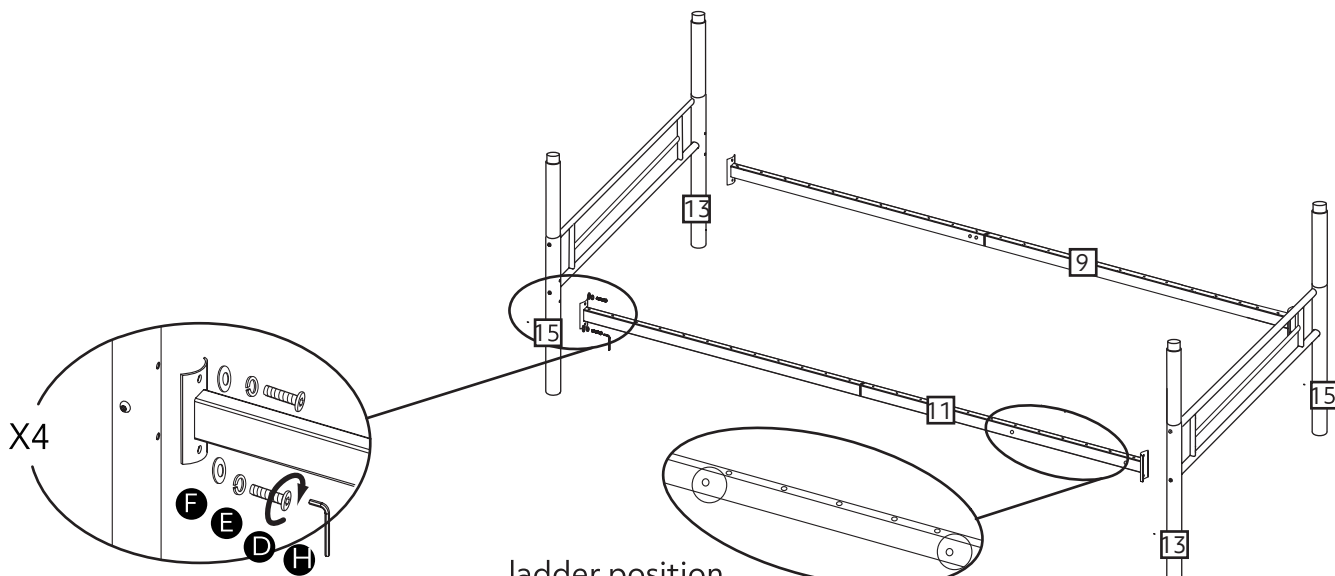
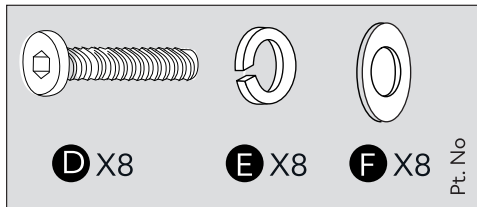
ladder position  
Keep ladder position on part 7  
at the same side

# 6



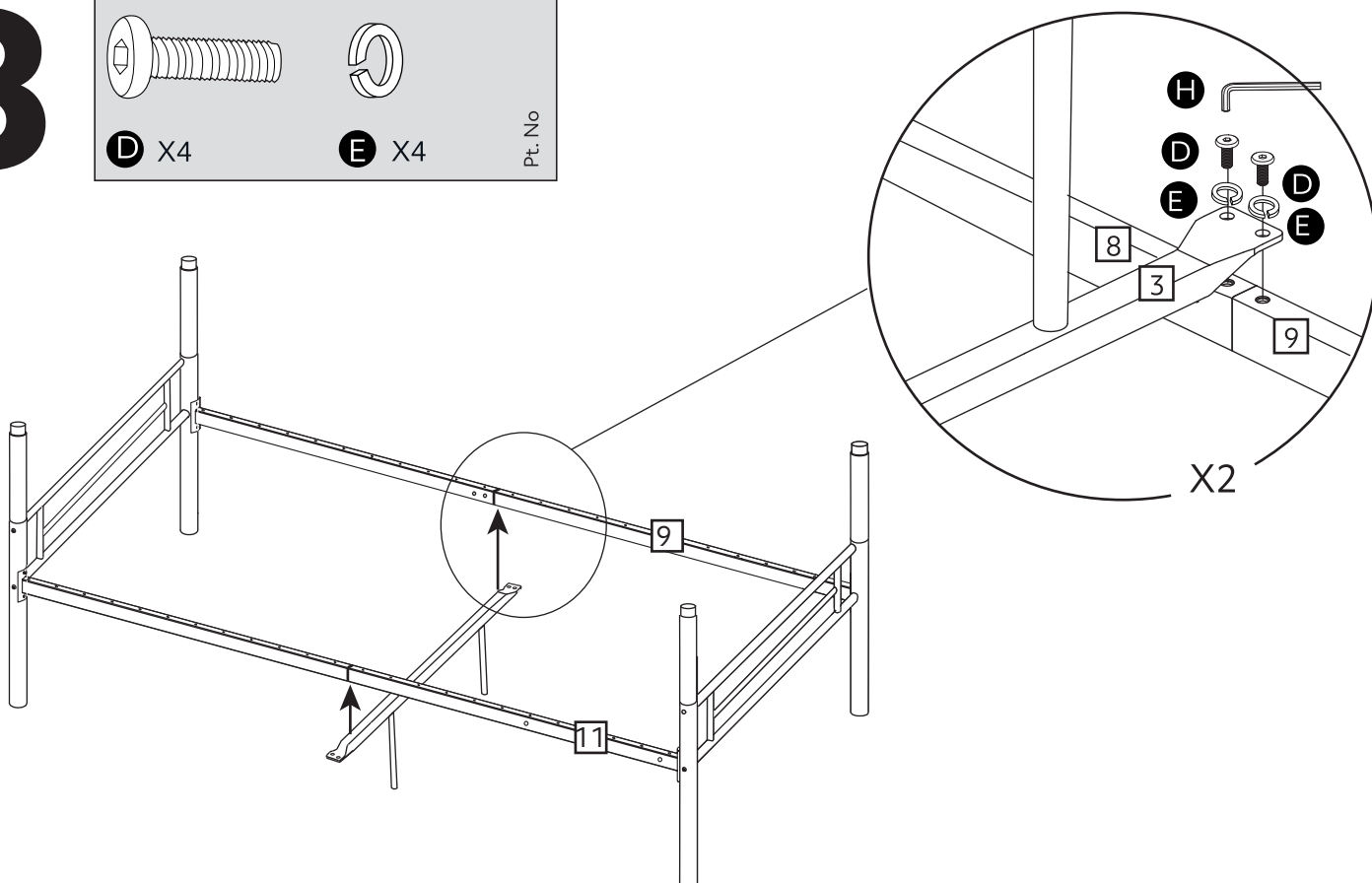
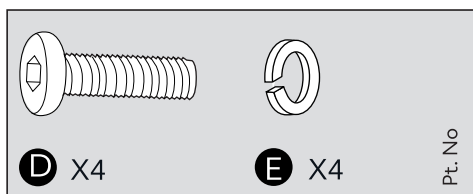


# 7

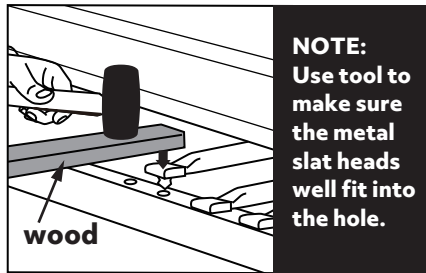
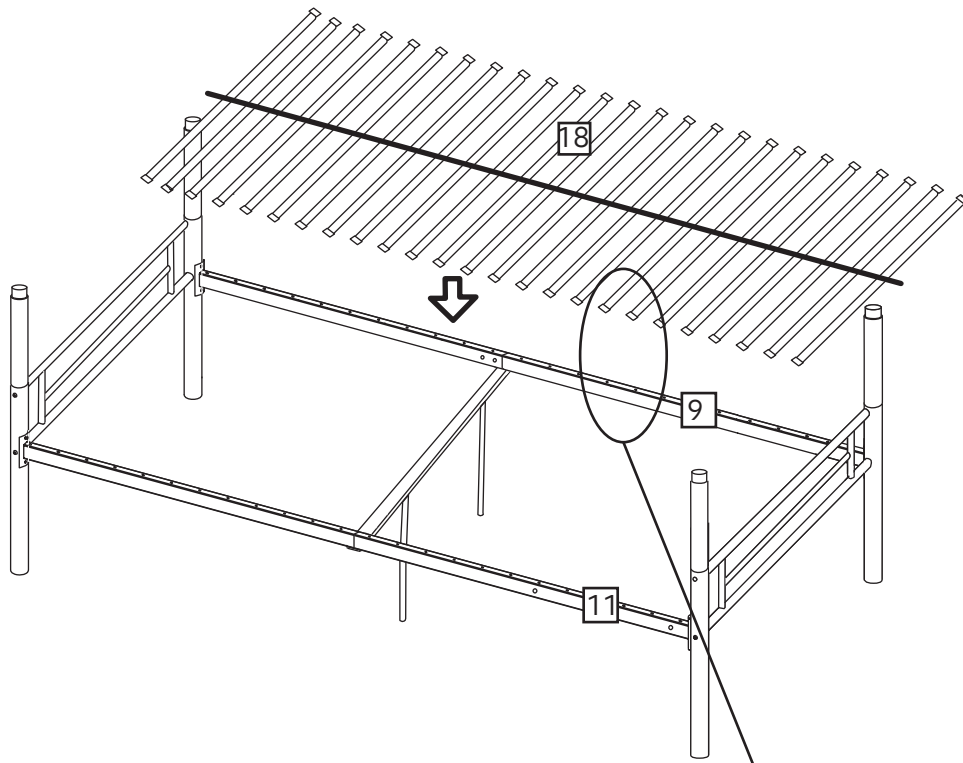


ladder position  
Keep ladder position on part 11  
at the same side

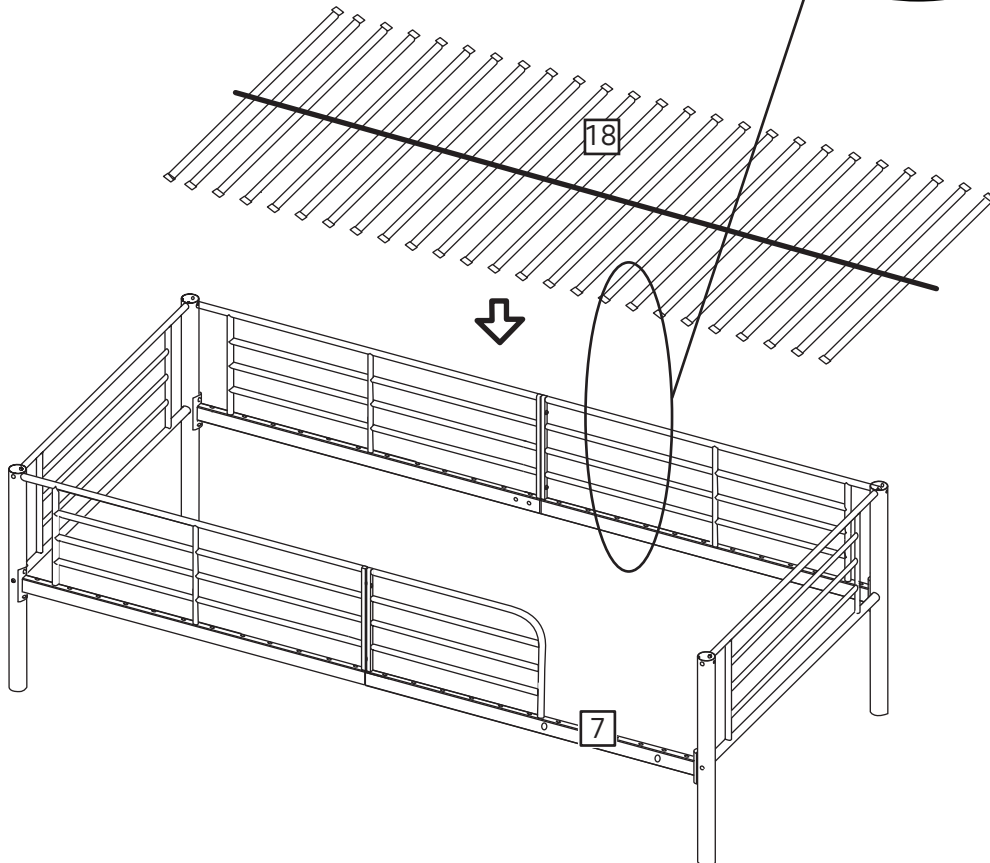
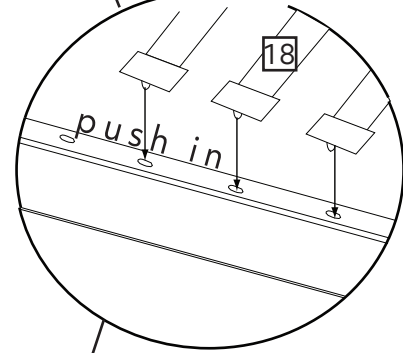
# 8



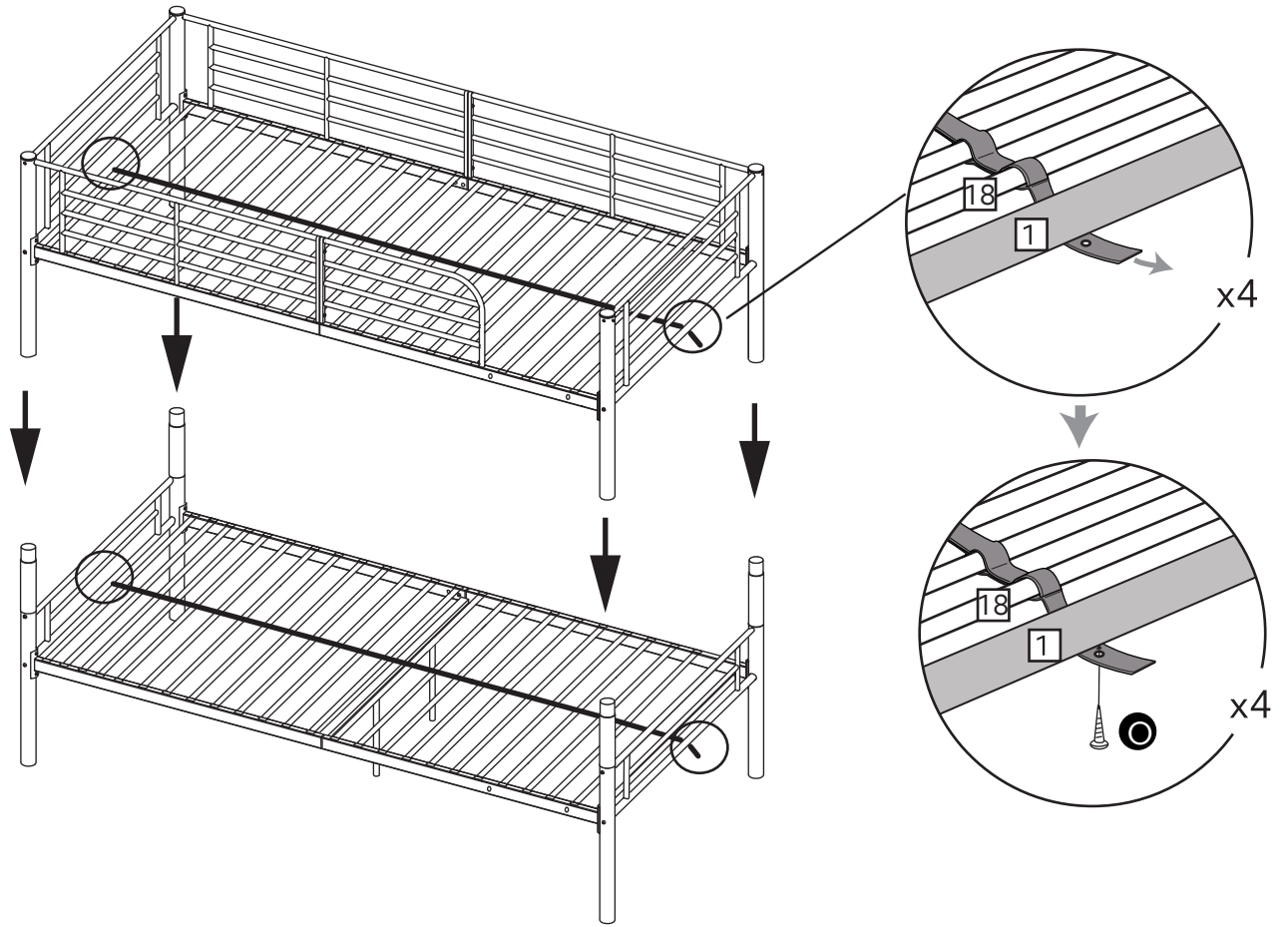
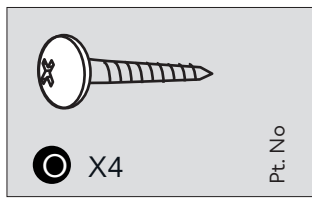
# 9



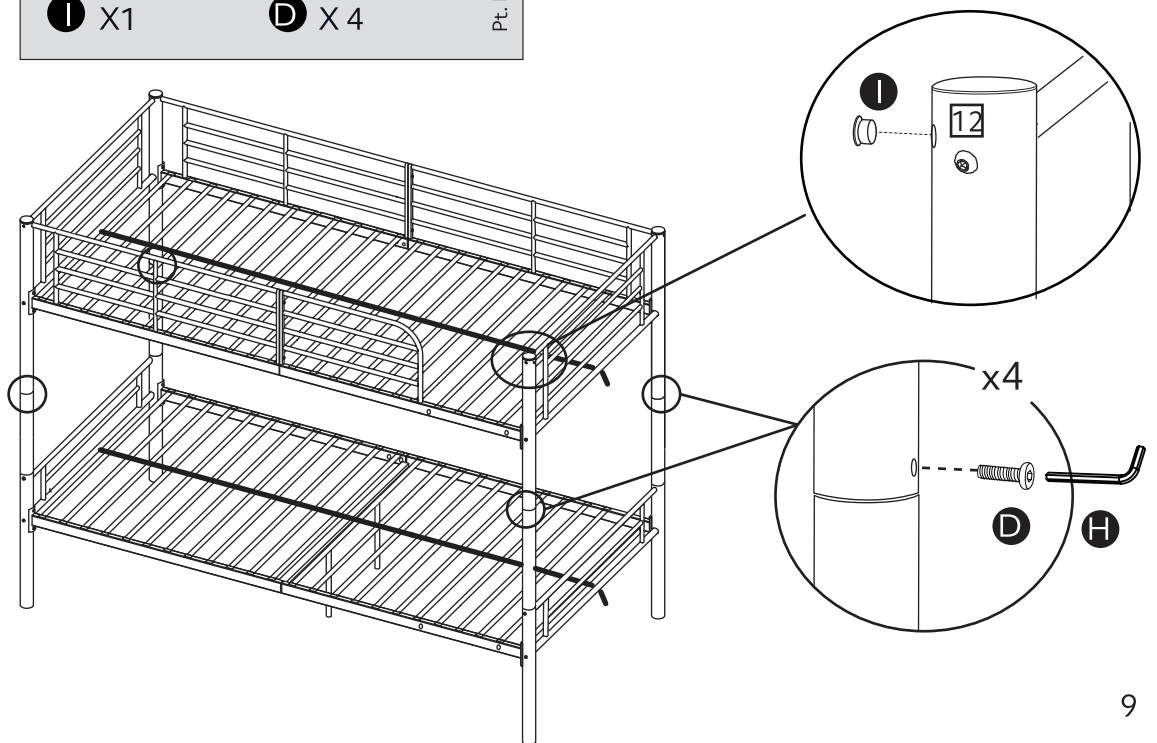
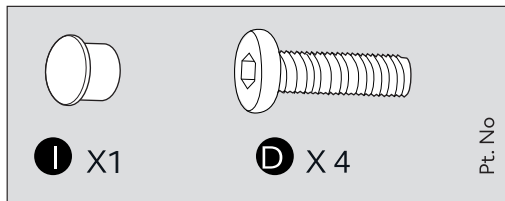
x100 heads



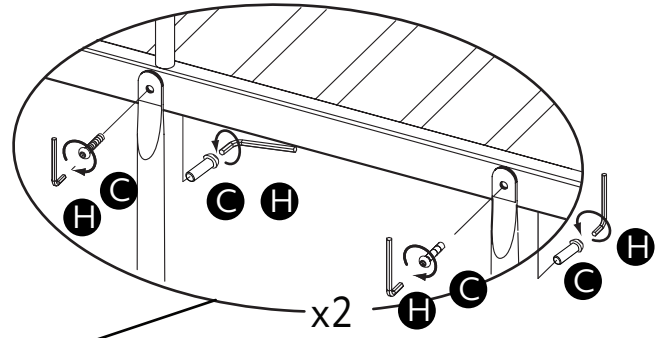
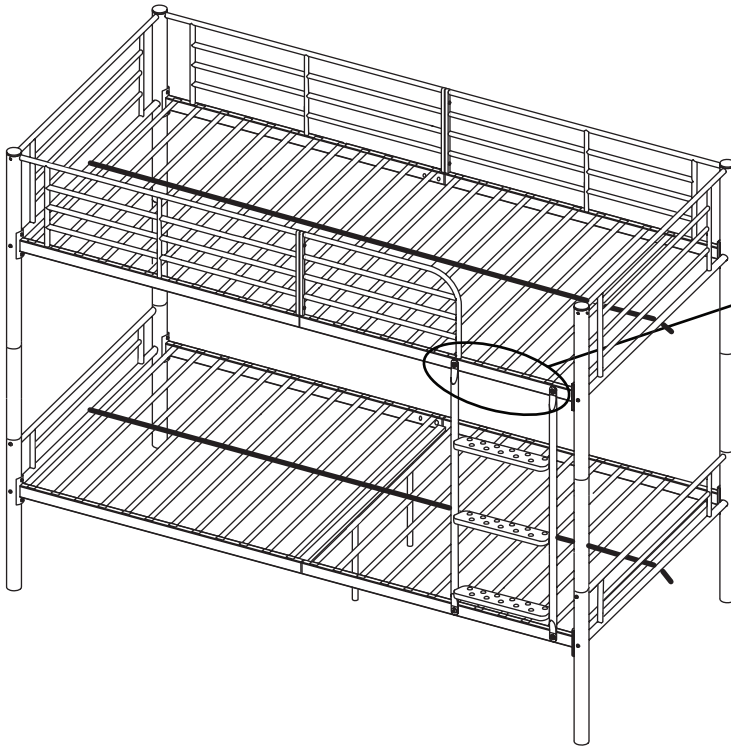
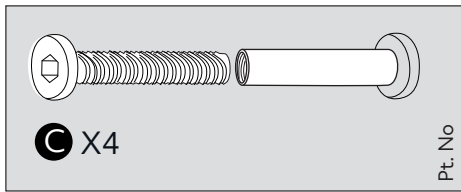
# 10



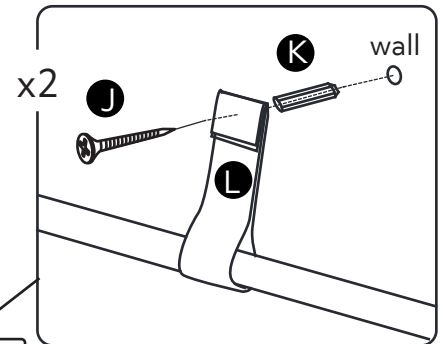
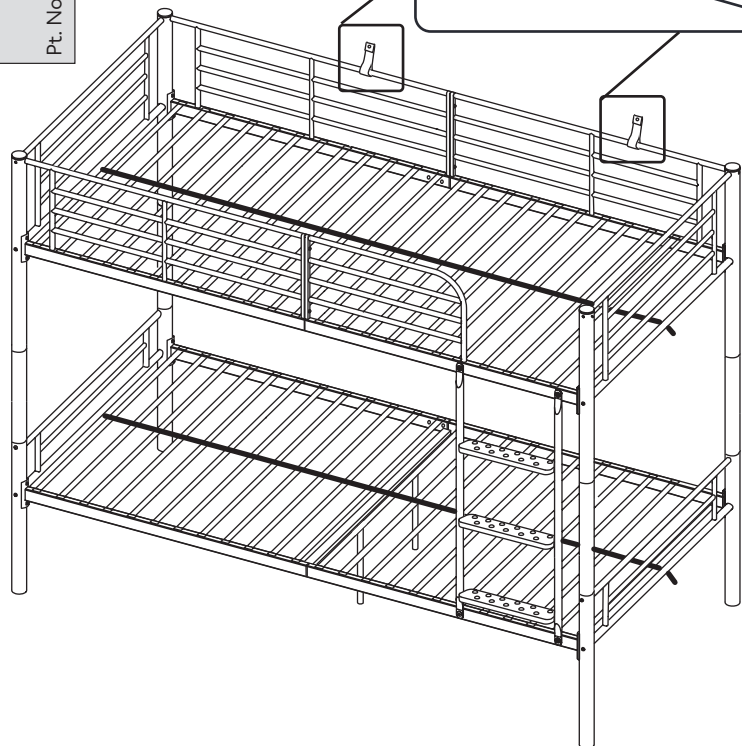
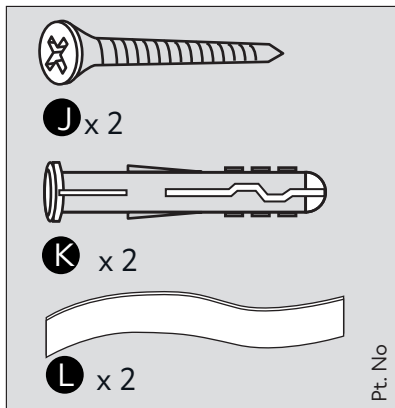
# 11



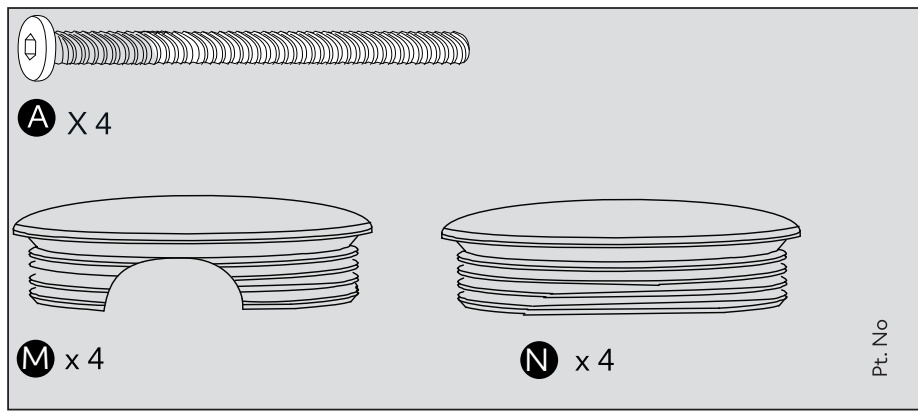
# 12



# 13

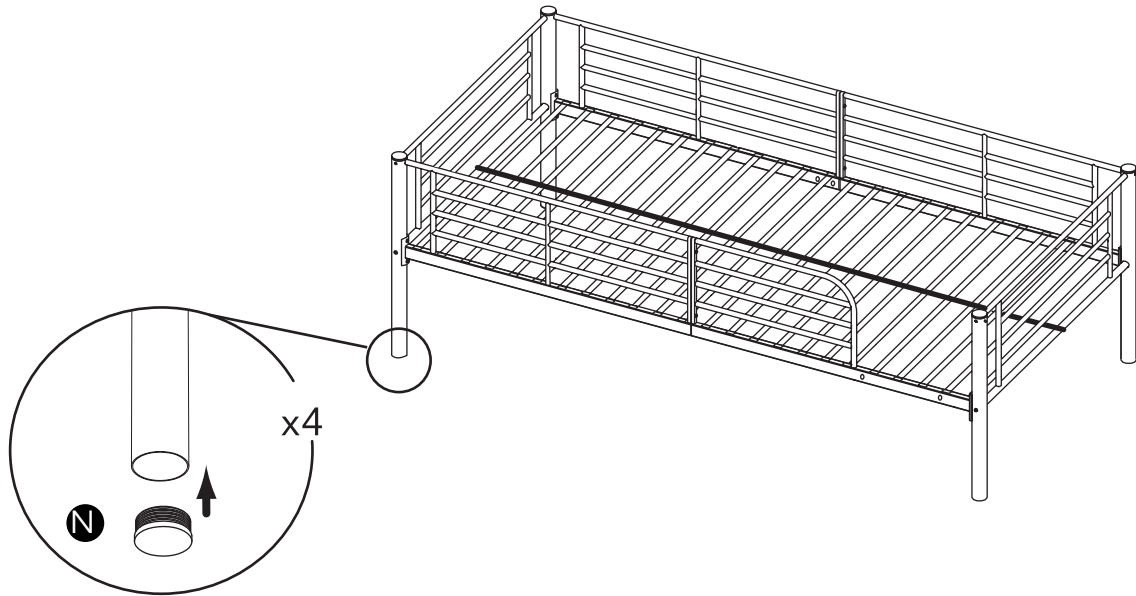


# 14



**This bunk bed could be convertible to two single beds**

**A. PUT THE FOOT CAP TO THE LEG**



**B. YOU NEED DETACH THE CONNECTION TUBE FOR SINGLE BED.**

