

DERWENT WARDROBE

Assembly Instructions - Please keep for future reference

DERW-WR-SS20-A

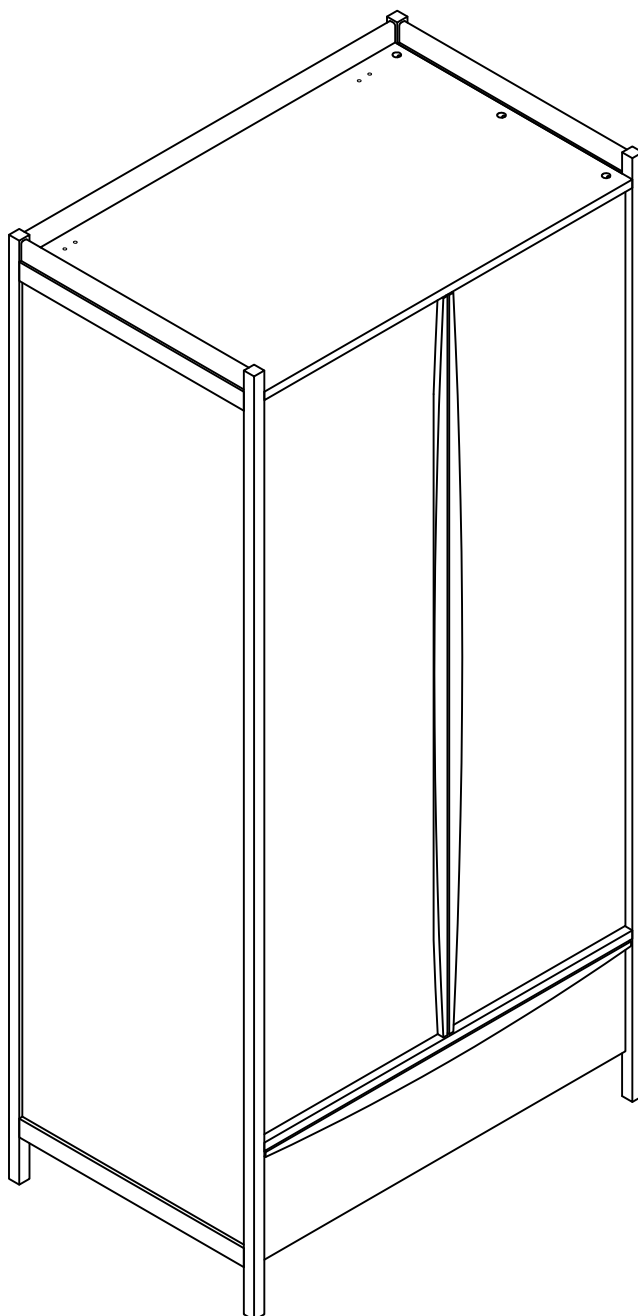
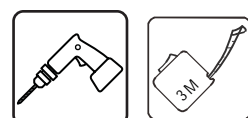
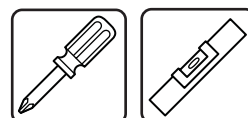
Dimensions

Width - 95cm

Depth - 60cm

Height - 200cm

Tools required



Important – Please read these instructions before assembly

If you need help or have damaged or missing parts, email:
customerservices@habitat.co.uk or call: 0344 499 4686

habitat 



Safety and Care Advice

Important – Please read these instructions fully before starting assembly

Check you have all the components and tools listed on the front cover and page 3-4.

Remove all fittings from the plastic bags and separate them into their groups.

Keep children and animals away from the work area, small parts could choke if swallowed.

Make sure you have enough space to layout the parts before starting.

Do not stand or put weight on the product, this could cause damage.

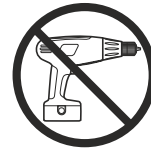
Assemble the item as close to its final position (in the same room) as possible.

Do not place furniture directly in front of radiators, fires or any other source of heat.

Assemble on a soft level surface to avoid damaging the unit or your floor.



Assembly requires at least 2 people



We do not recommend the use of power drill/drivers for inserting screws, as this could damage the unit. Only use hand screwdrivers.

Dispose of all packaging carefully and responsibly.

General care and maintenance

Take care when moving furniture - dragging pieces across the floor will damage the joints. Always lift and move.

From time to time check that there are no loose fittings. Tighten as necessary.

Avoid exposing your furniture to direct and prolonged periods of sunlight and heat sources as fading and cracking may occur.

Take care to prevent sharp objects e.g. toys, buckles and heels from coming into contact with your furniture, and avoid contact with chemicals e.g. cosmetics or hairs products which may permanently mark the surface.

Cleaning and care

Dust regularly with a clean dry cloth.

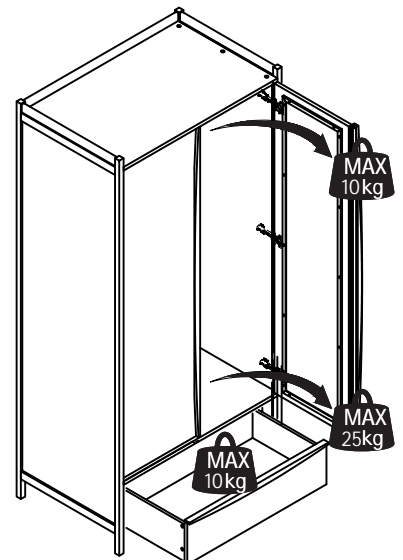
Wipe up any spills immediately with a damp cloth and then dry the surface with a clean dry duster.

Repeat this procedure for periodic cleaning.

Remove stubborn stains with a weak washing up liquid solution and a damp cloth and dry after with a clean cloth.

The use of furniture polish or spray is not necessary or recommended.

Never use abrasive or corrosive cleaning agents.



General information

If for any reason you should have problems with your Habitat product, please contact the store from which you purchased it.

Please retain your receipt as proof of purchase.

If you have any comments or suggestions regarding this product, assembly instructions or service

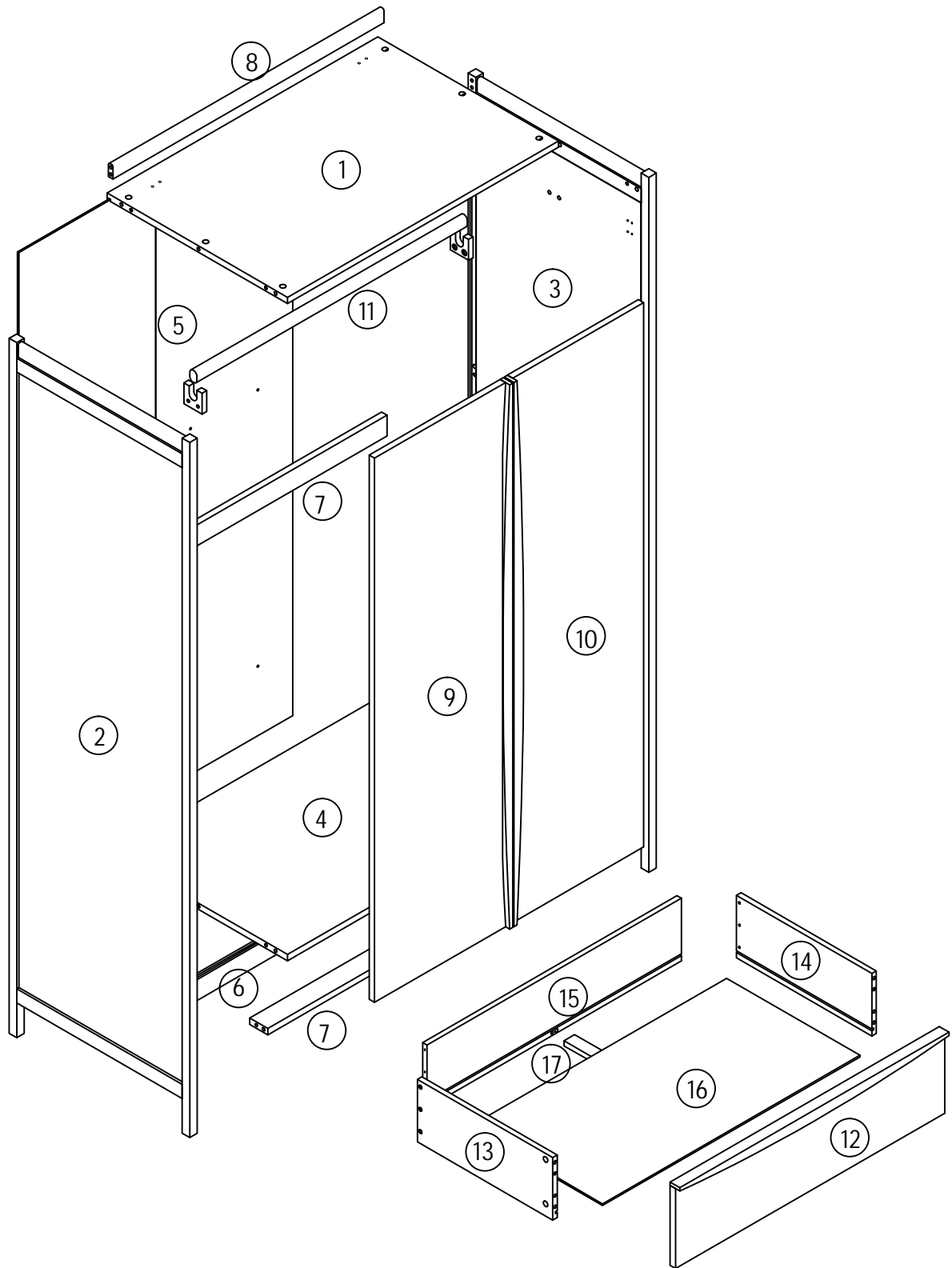
received, please contact the store or Habitat Head Office via its web site: www.habitat.co.uk

or write directly to: Habitat Retail Ltd, 489-499 Avebury Boulevard, Milton Keynes MK9 2NW

Components

If you need help or have damaged or missing parts, email: customerservices@habitat.co.uk or call: 0344 499 4686

Please check you have all the panels listed below



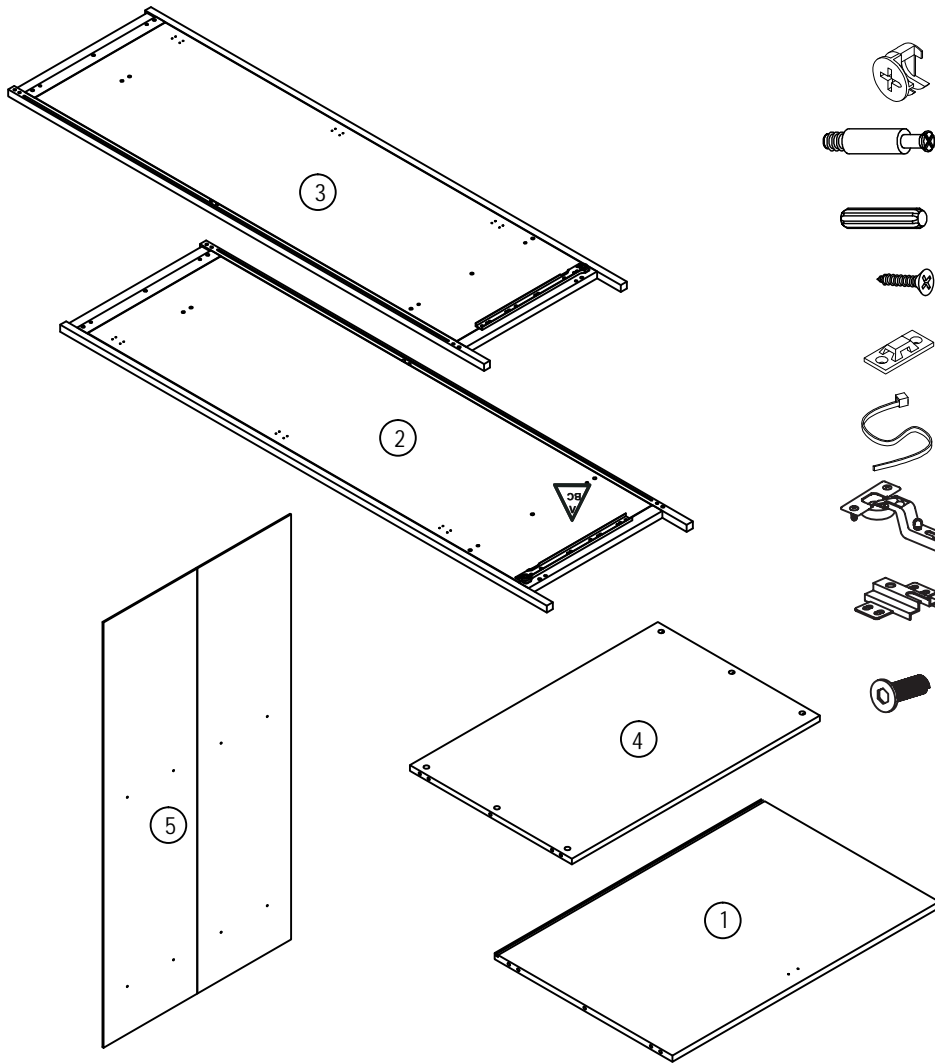
Components and Fittings

If you need help or have damaged or missing parts, email: customerservices@habitat.co.uk or call: 0344 499 4686

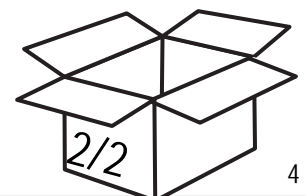
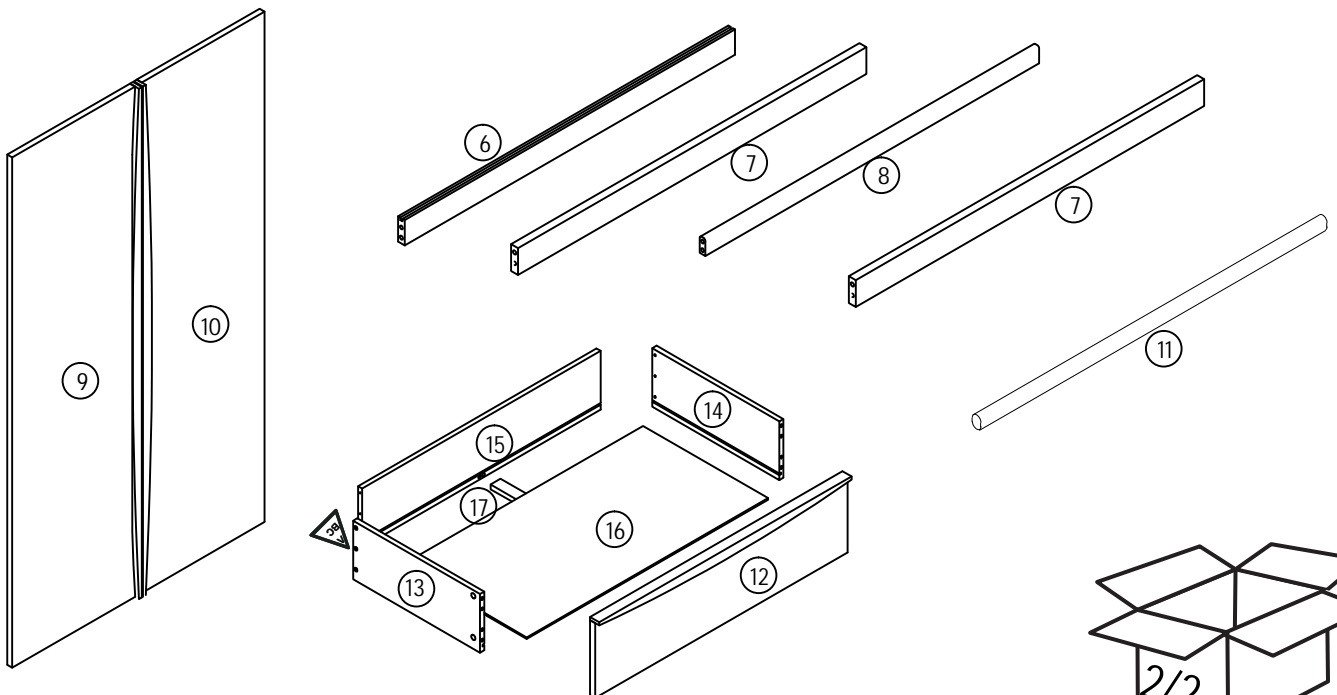
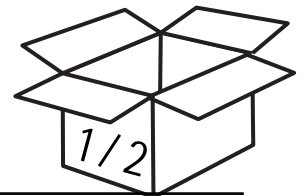
Please check you have all the panels listed below



NOTE: There are 'Batch code' labels where shown on the indicated items, these should be retained.



- | | | | |
|--|---------|--|--------|
| | (A) X24 | | (J) X2 |
| | (B) X24 | | (K) X2 |
| | (C) X24 | | (L) X4 |
| | (D) X56 | | (M) X2 |
| | (E) X4 | | (N) X4 |
| | (F) X2 | | (O) X8 |
| | (G) X6 | | (P) X1 |
| | (H) X6 | | (Q) X6 |
| | (I) X4 | | |



Assembly Instructions

Assembly Instructions

Please keep safe for future reference

Before assembling the furniture please identify all component parts.

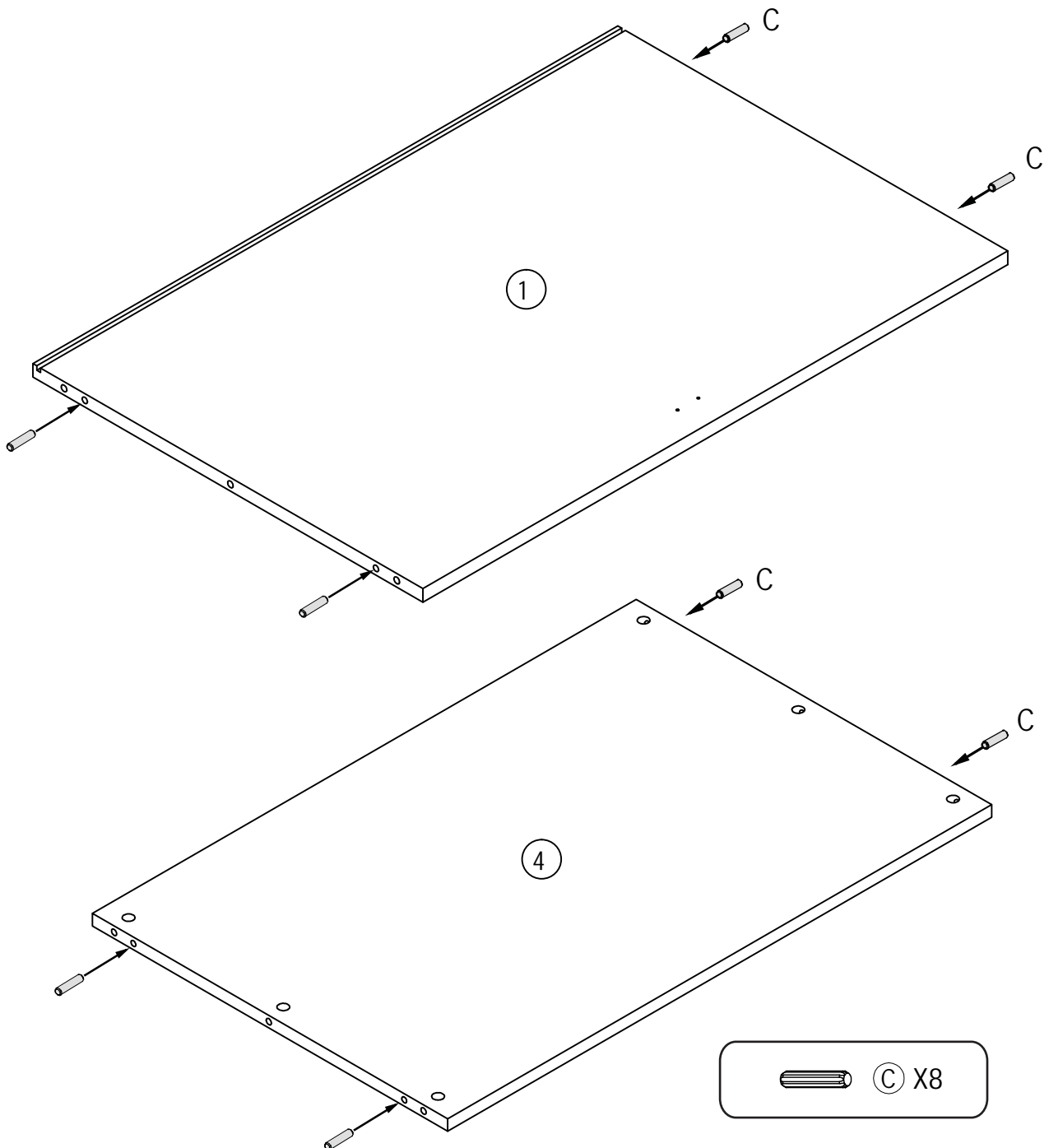
It would be sensible to assemble the furniture as close to its final position as possible.

Do not place furniture directly in front of radiators, fires or any source of heat.

Ensure the surface on which you are assembling the furniture is flat and clear of anything that might scratch it.

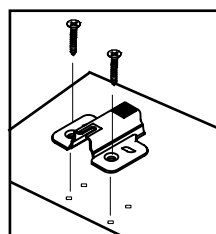
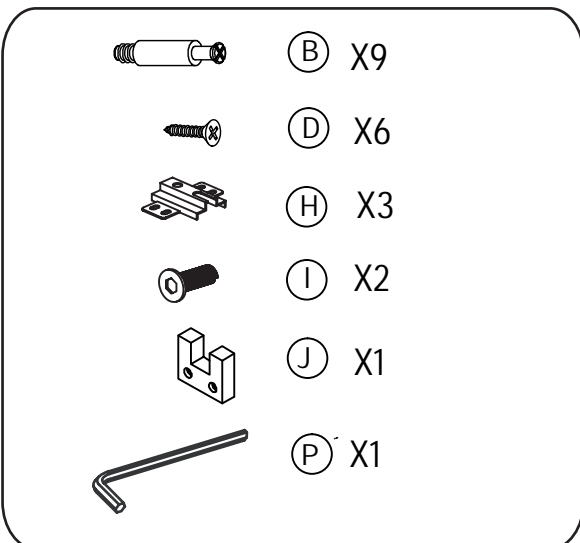
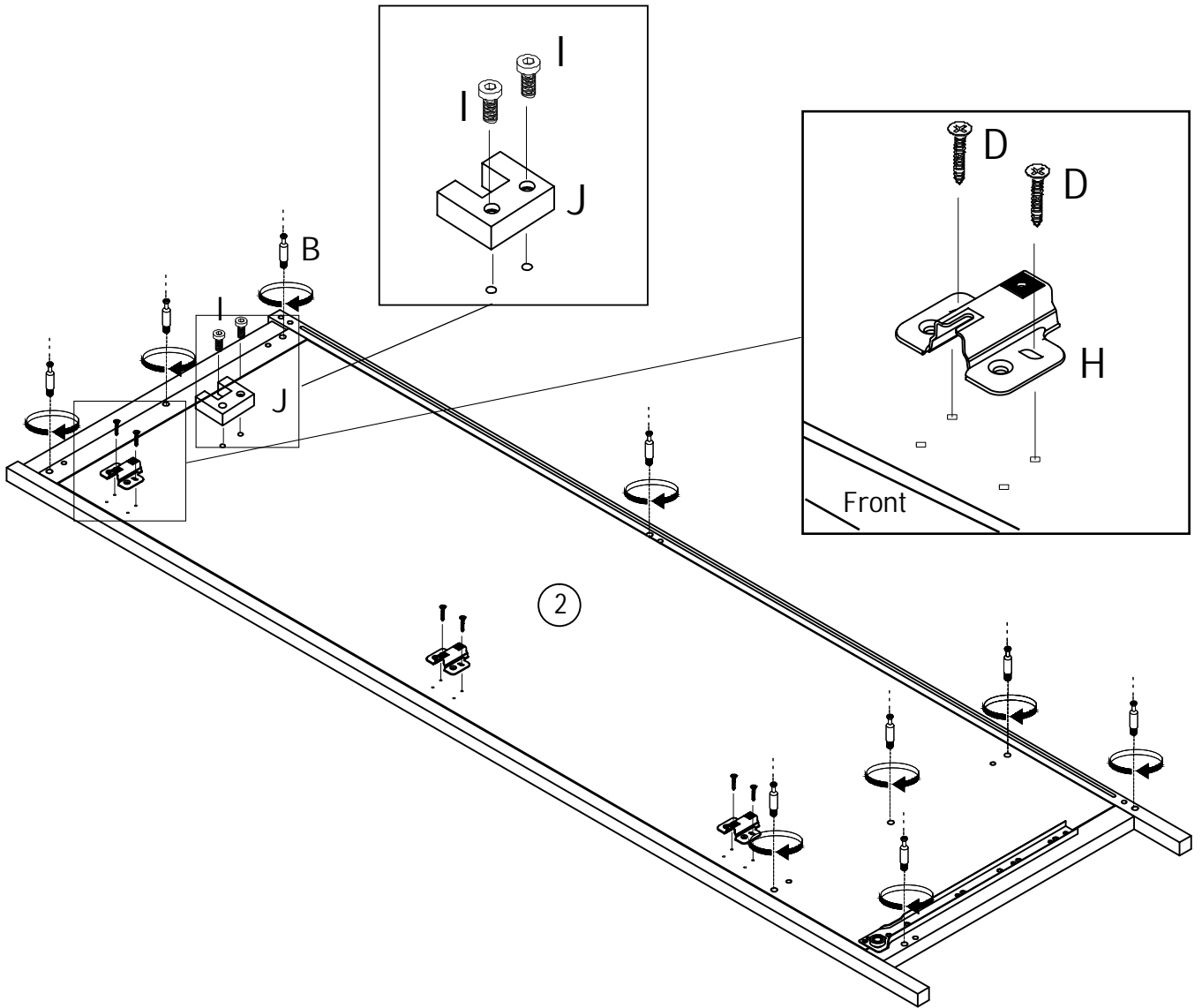
Check all packaging carefully for components and fittings before discarding it.

Step1:



Assembly Instructions

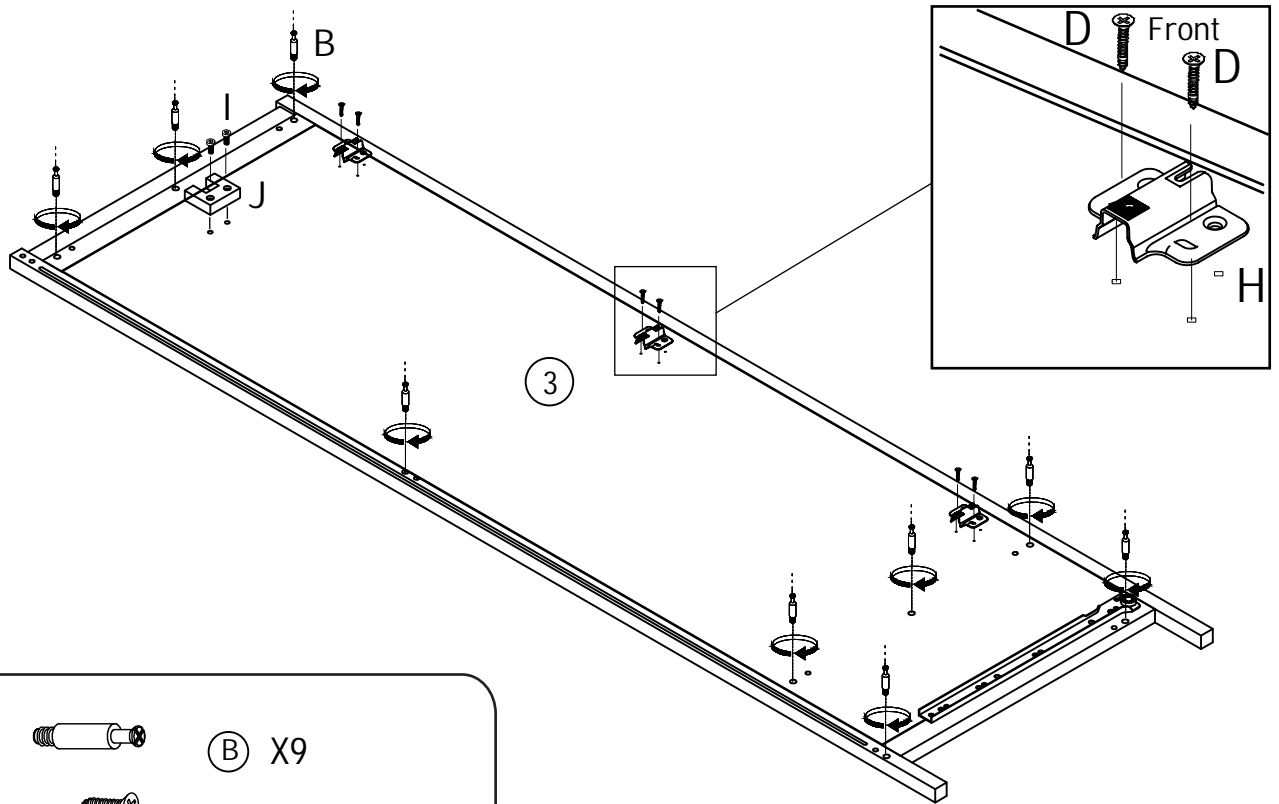
Step2:



Please Note:
Don't forget to add the final reinforcing screws into the hinges near the end of the build at step13.

Assembly Instructions

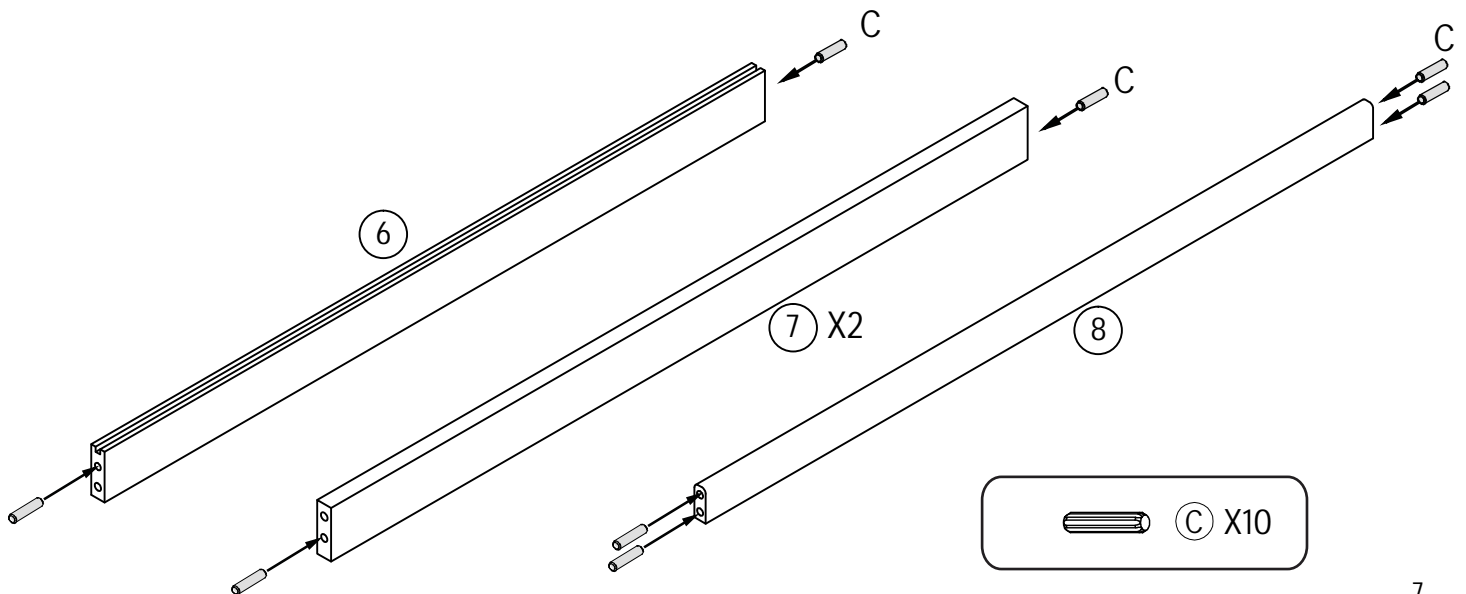
Step3:



	(B) X9
	(D) X6
	(H) X3
	(I) X2
	(J) X1

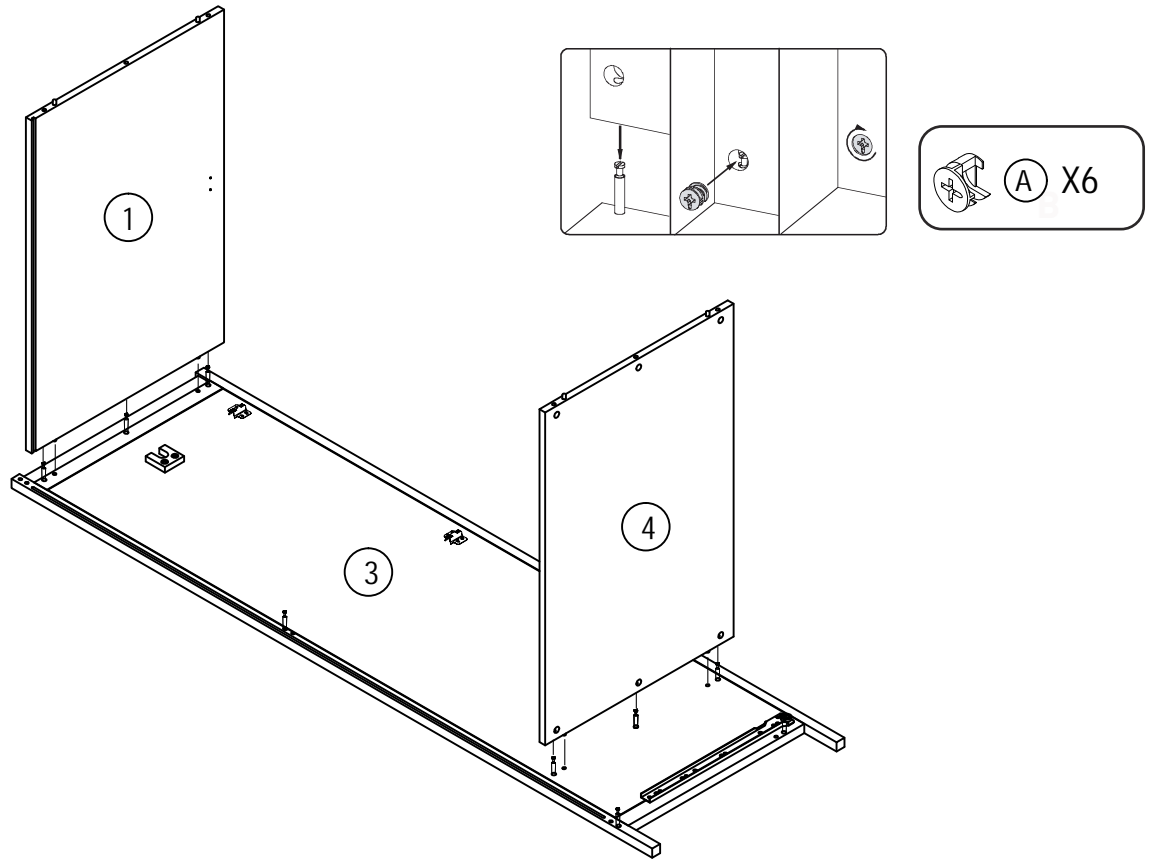
Please Note:
Don't forget to add the final reinforcing screws into the hinges near the end of the build at step 13.

Step4:

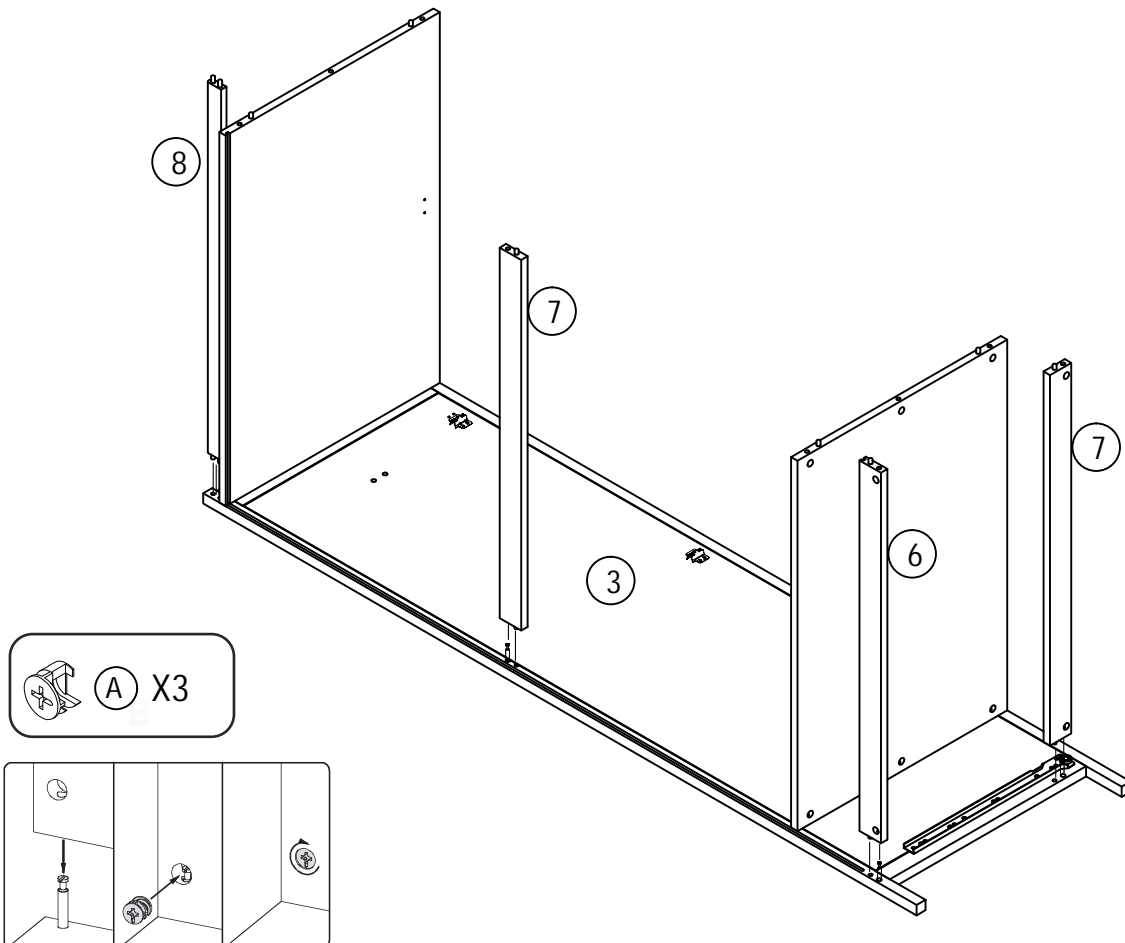


Assembly Instructions

Step5:

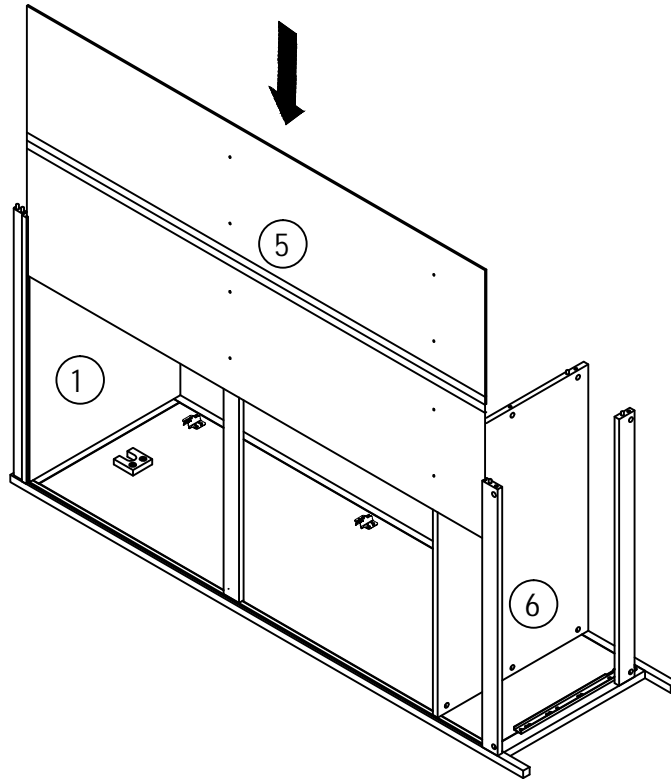
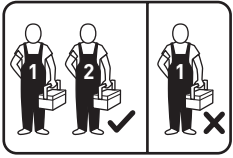


Step6:

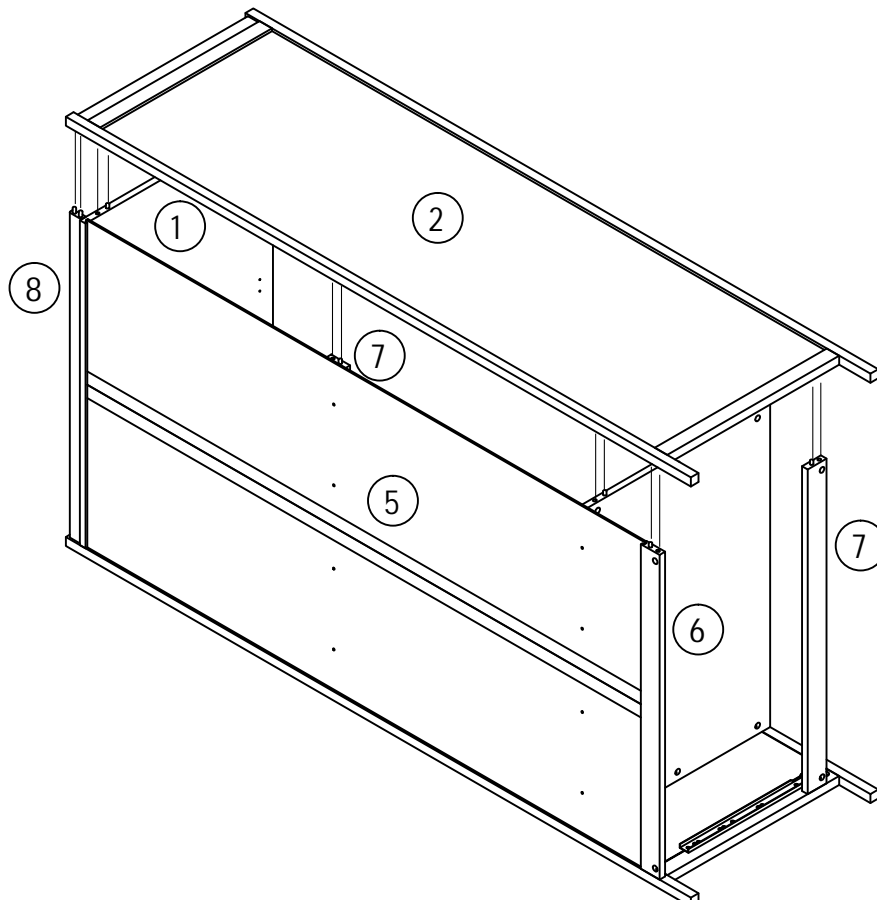
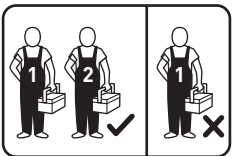


Assembly Instructions

Step7:

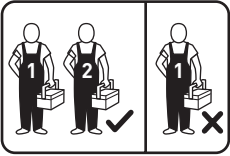


Step8:

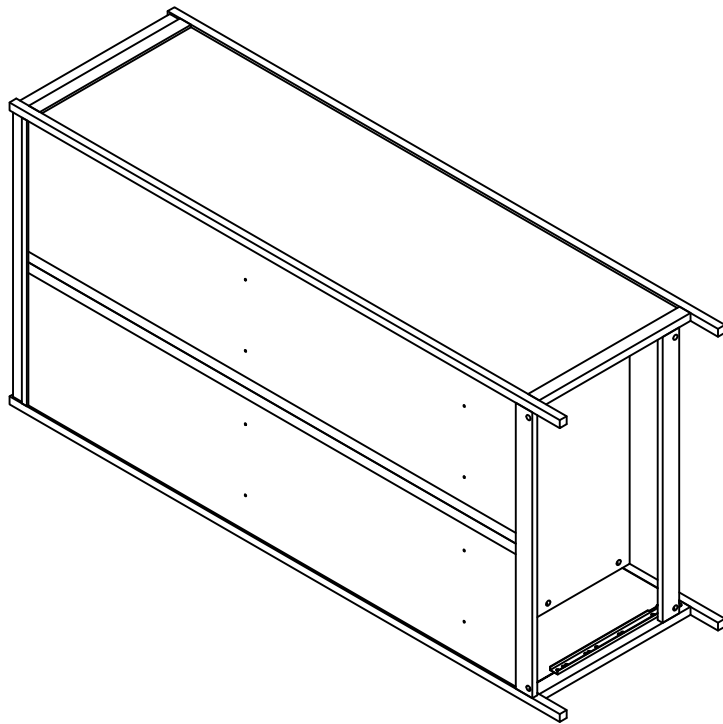
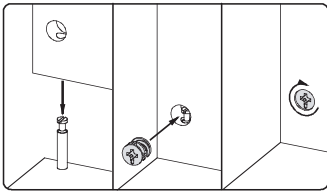
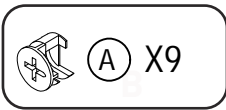


Assembly Instructions

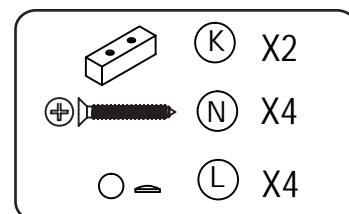
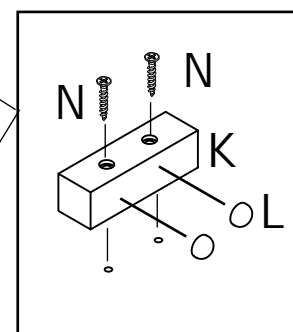
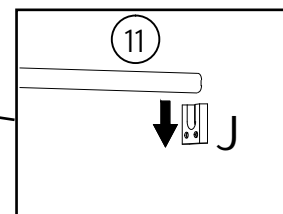
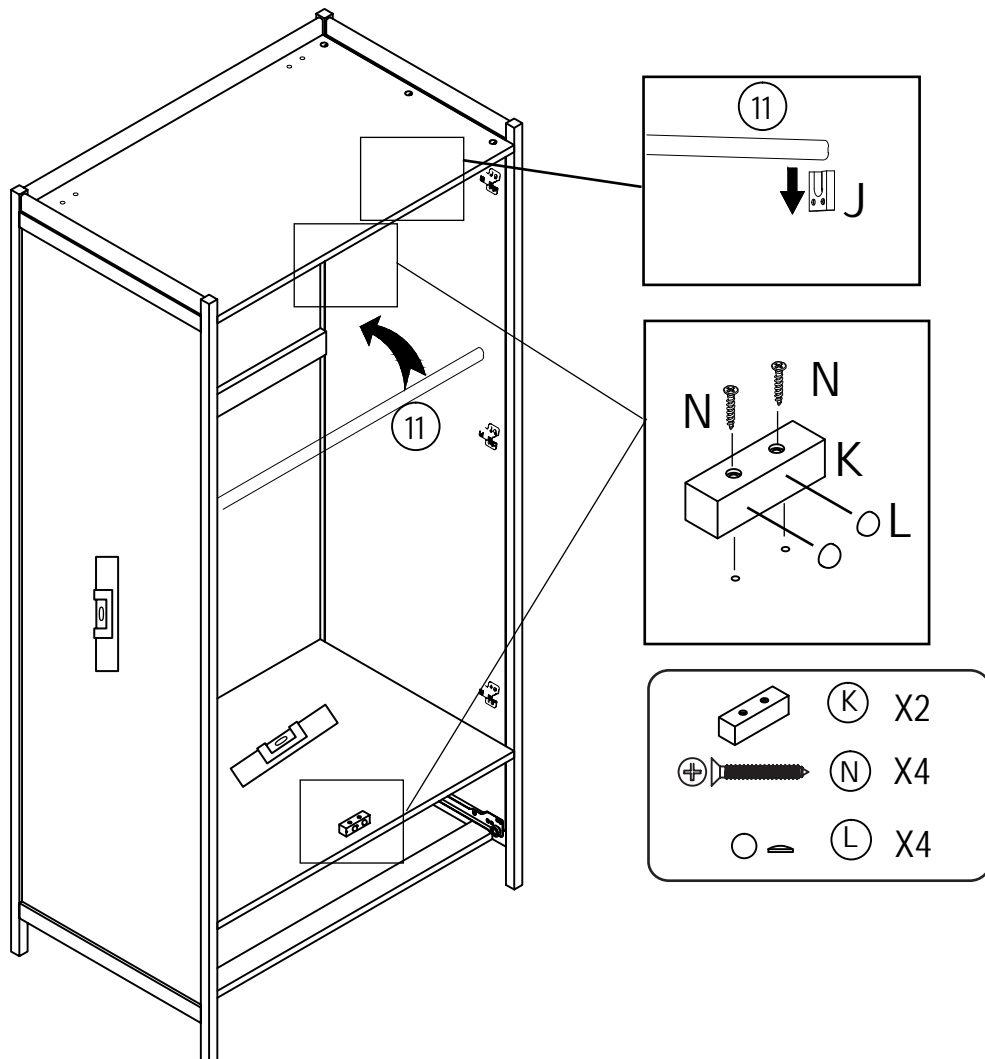
Step9:



Take care when standing product upright

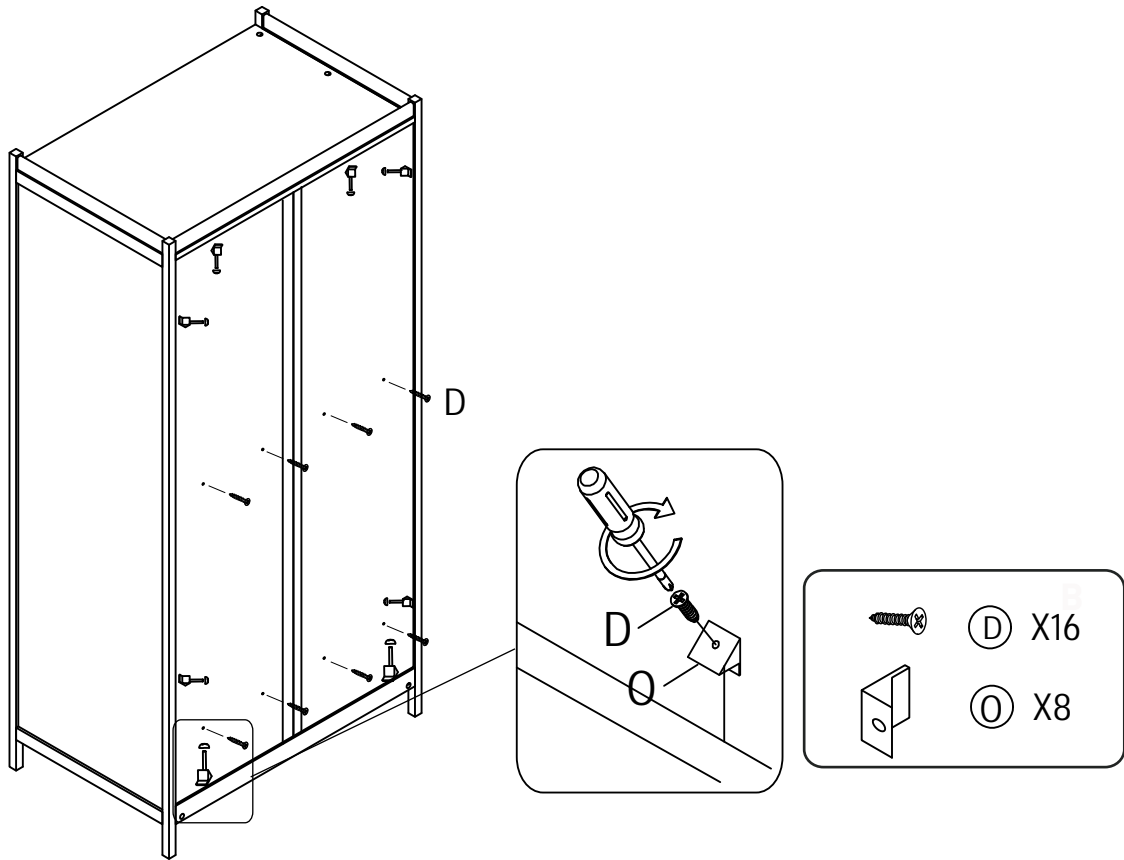


Step10:

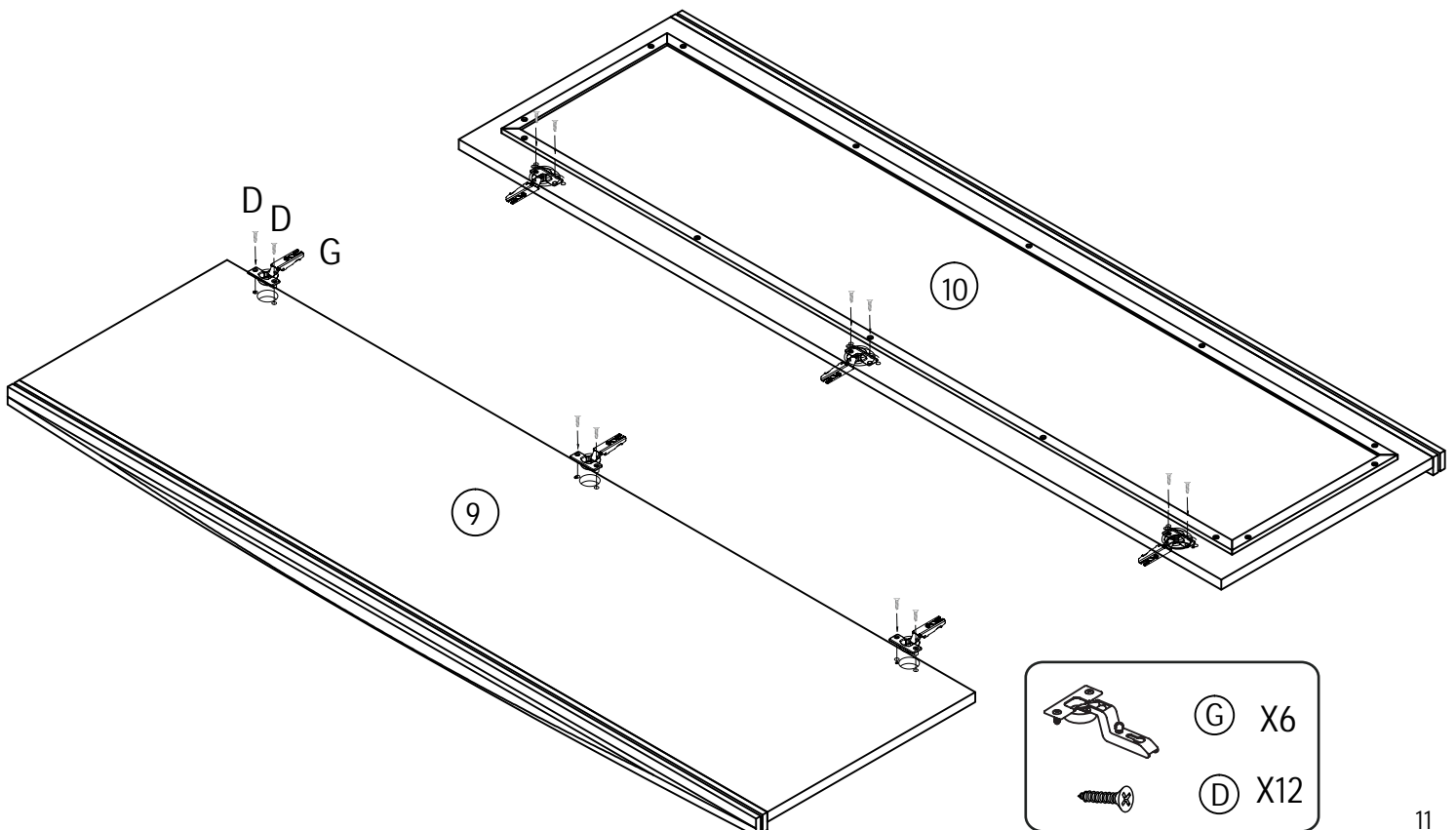


Assembly Instructions

Step11:

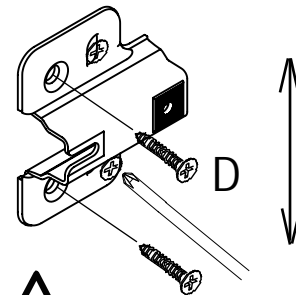
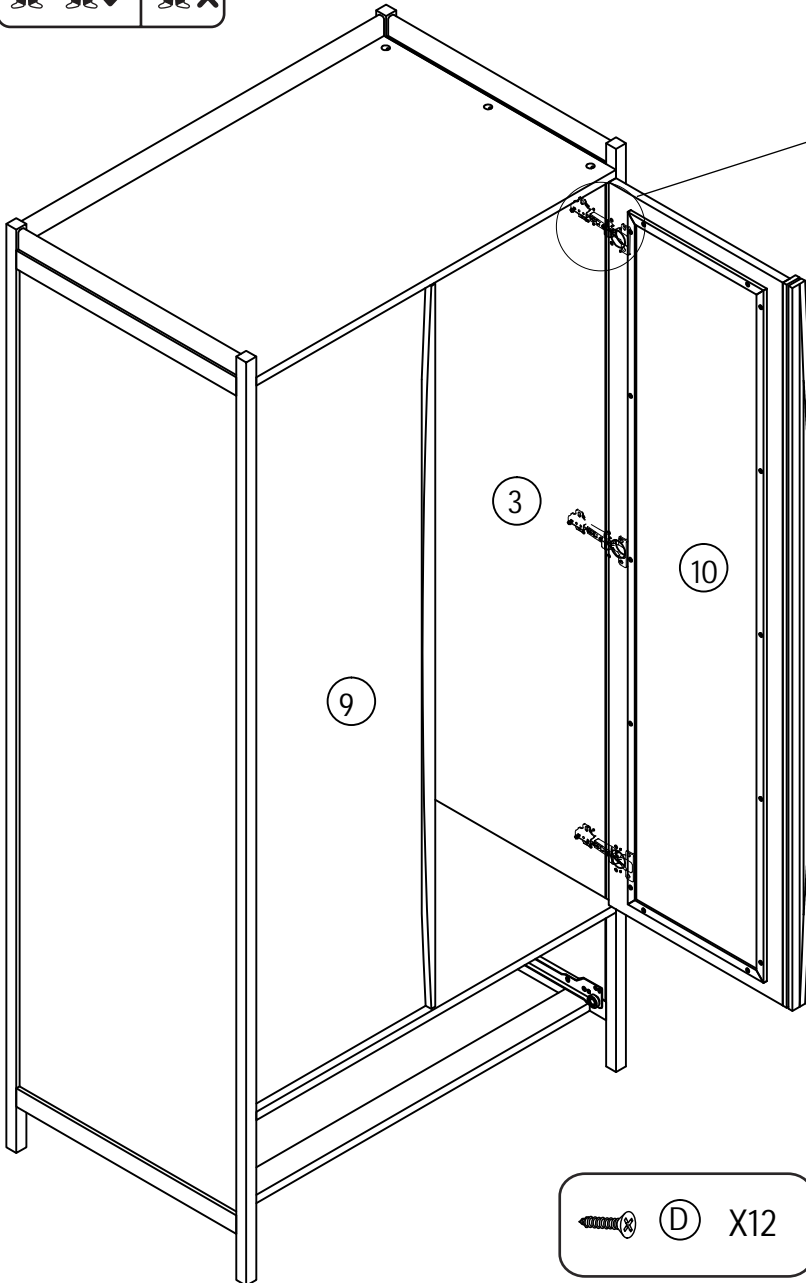
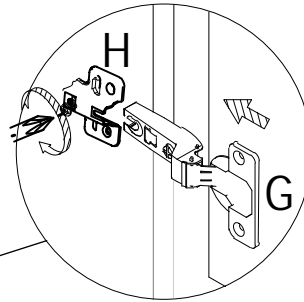


Step12:



Assembly Instructions

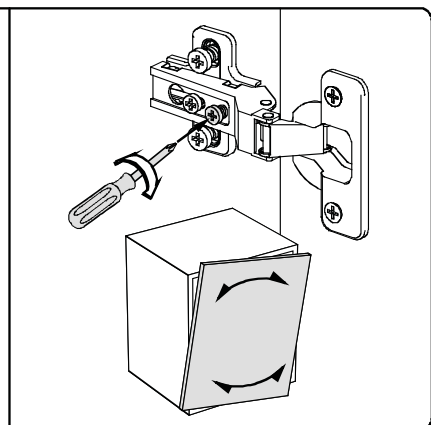
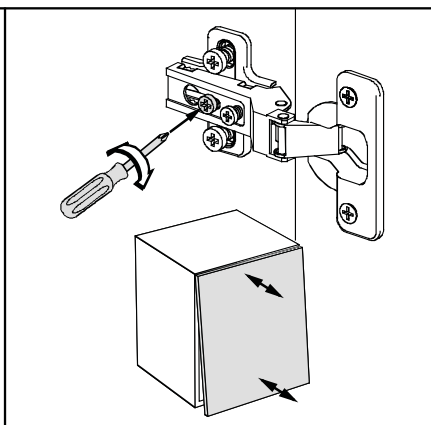
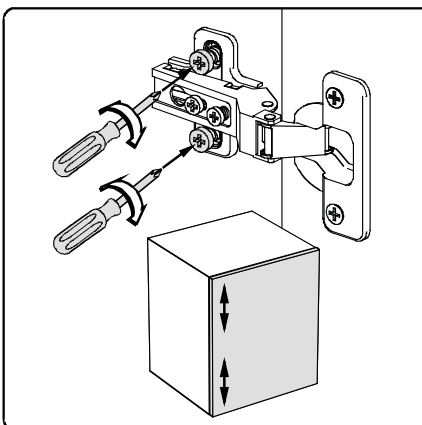
Step 13:



Please Note!
If necessary the position of the hinge base plate can be adjusted to line up with the hinges on the door by loosening the screws in the oval holes.

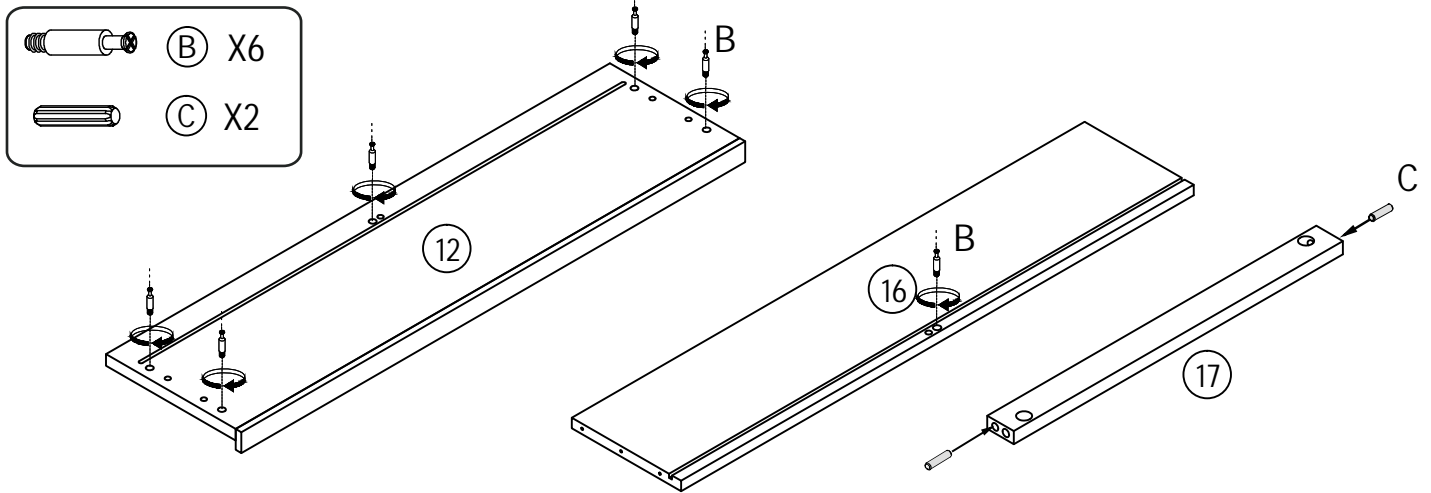


Please Note:
Don't forget to add the final reinforcing screws into the hinges.

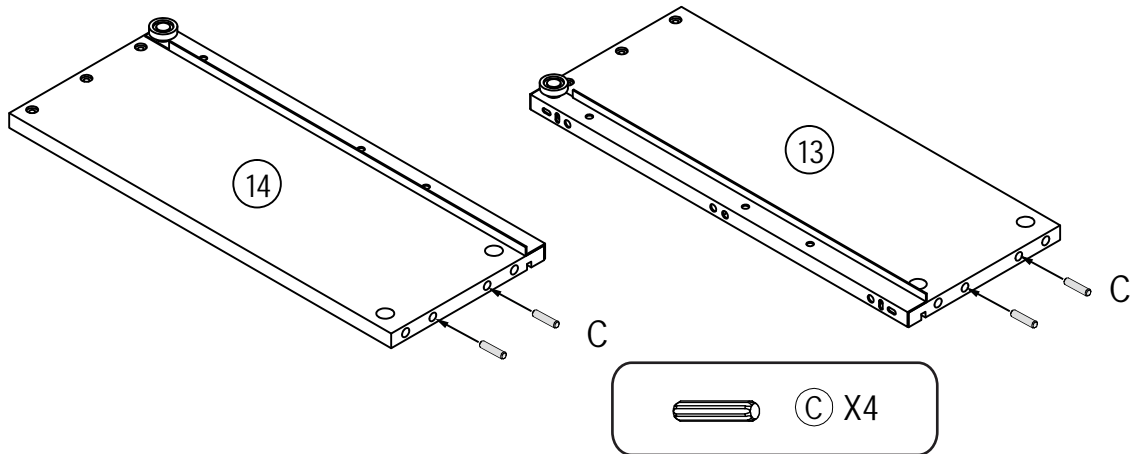


Assembly Instructions

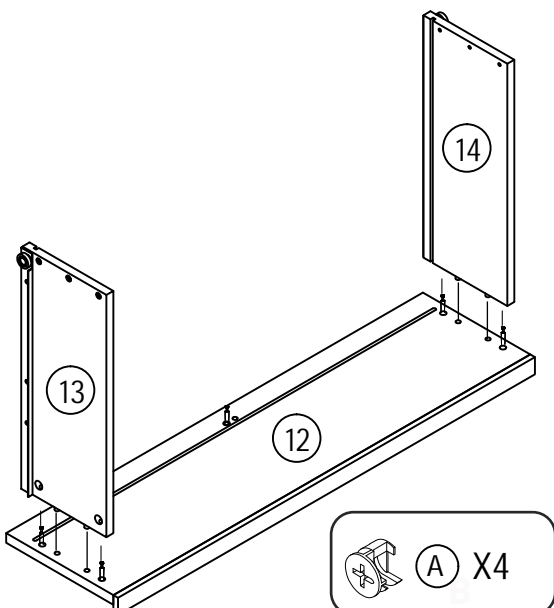
Step14:



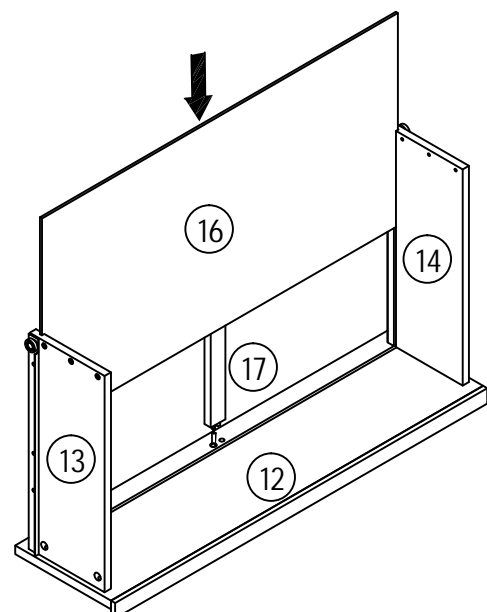
Step15:



Step16:

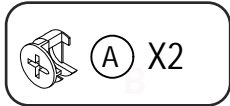
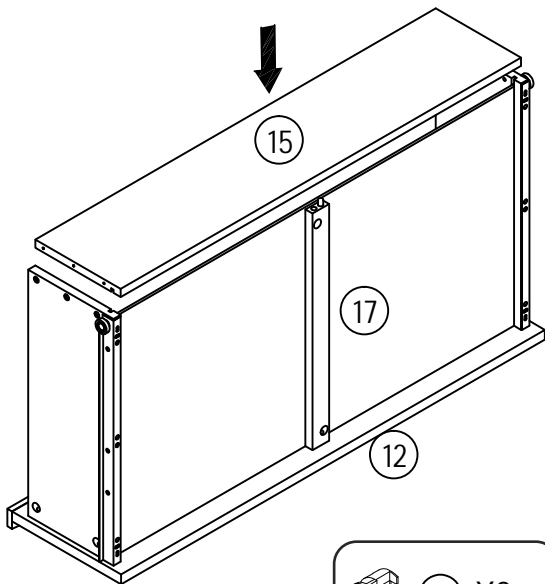


Step17:

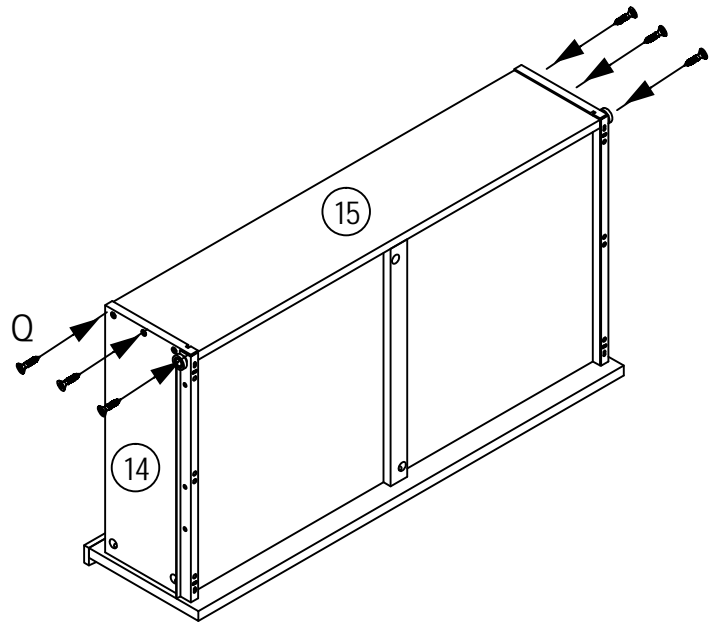


Assembly Instructions

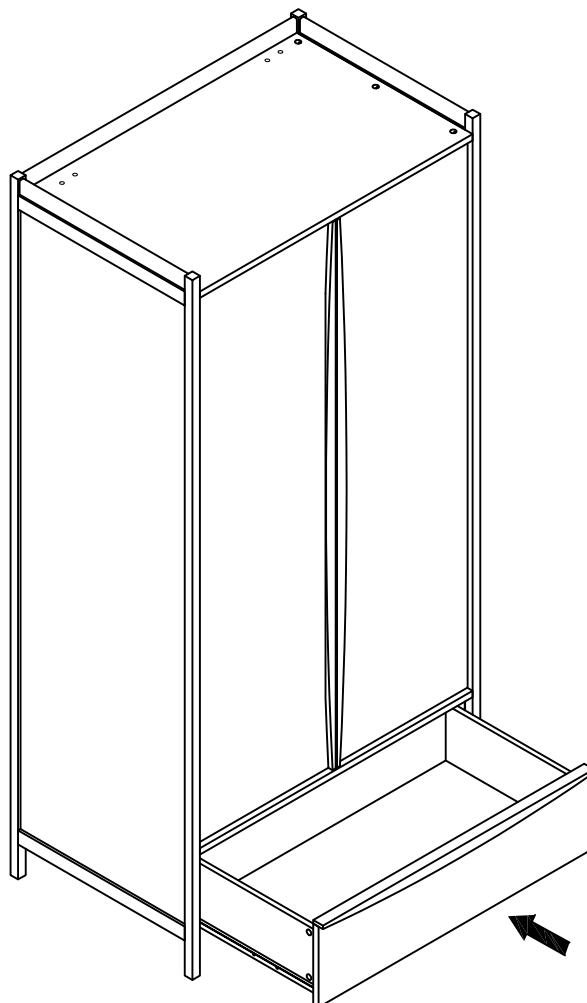
Step18:



Step19:



Step20:



Assembly Instructions

Step21:



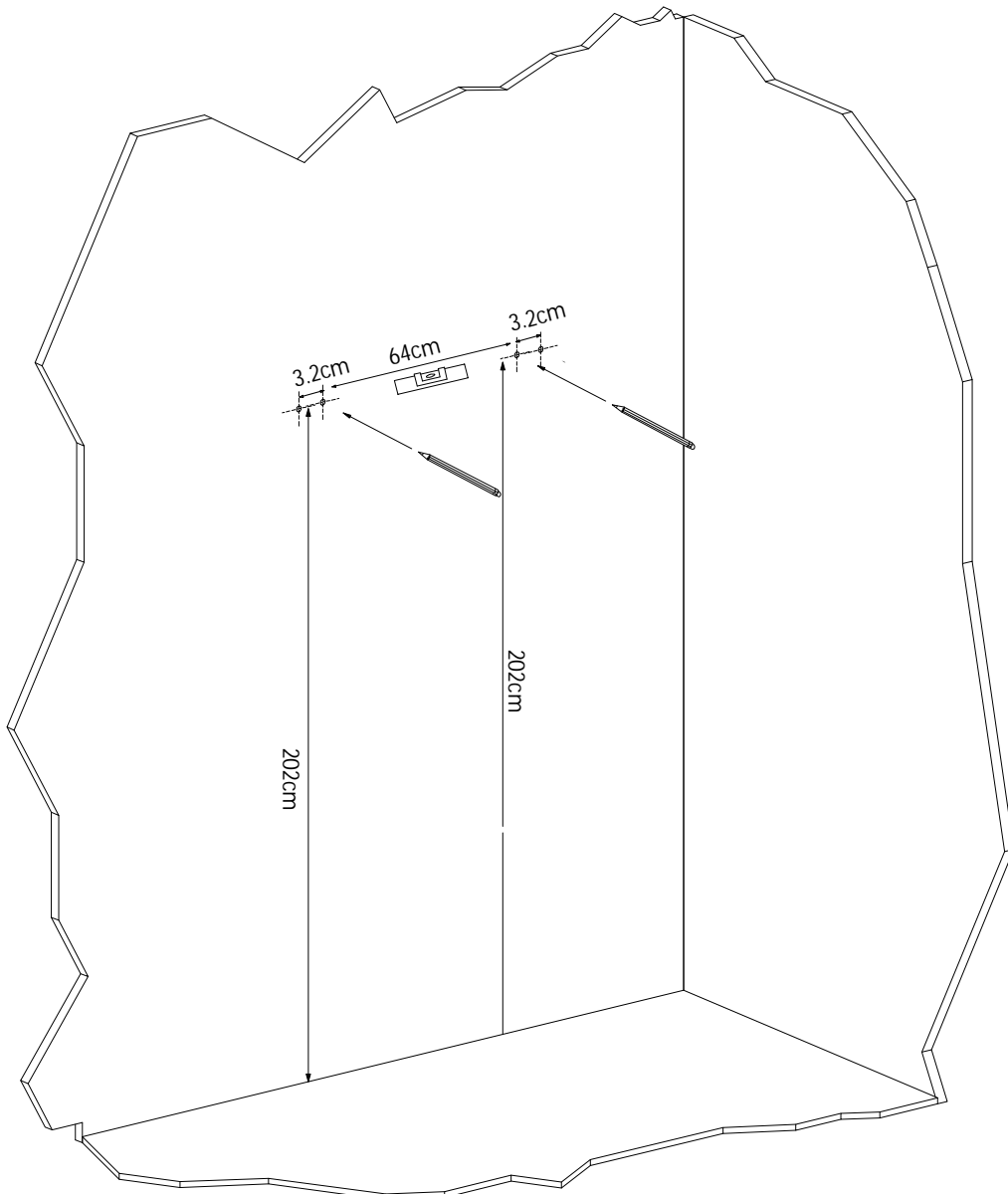
WARNING!

In order to prevent overturning this product must be used with the wall attachment device provided. Serious or fatal crushing injuries can occur from furniture tipping over. To help prevent topple over :-

- Use the wall attachment devices provided
- Never allow children to climb or hang on drawers
- Do not overload the drawer beyond maximum recommended loading.
- Place heaviest items in the lower drawers or shelves.
- Unless specifically designed to accommodate, do not set TV's or other heavy objects on top of this product
- Never open more than one drawer at a time

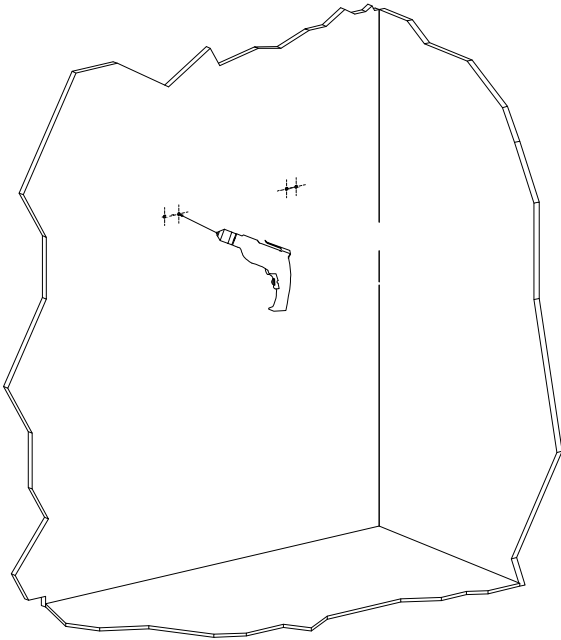
An attachment device is provided with your product, however you will need to source suitable fixings for your wall type. If in doubt consult a qualified trades person.

Always ensure that the wall to be drilled into is free from hidden electrical wires, water and gas pipes.



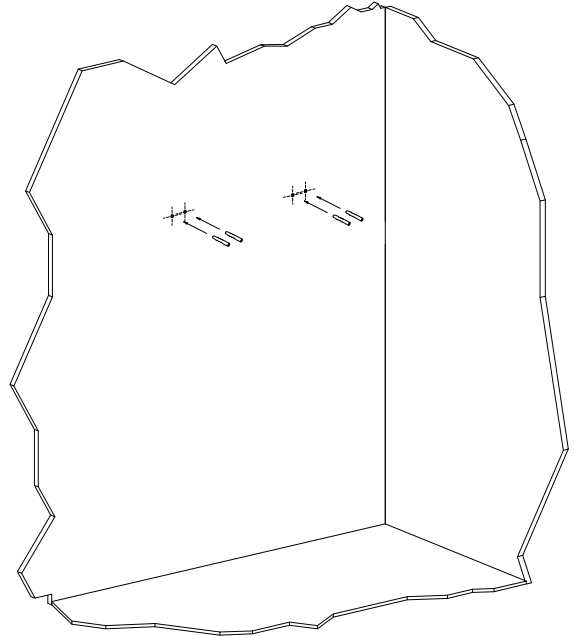
Assembly Instructions

Step22:

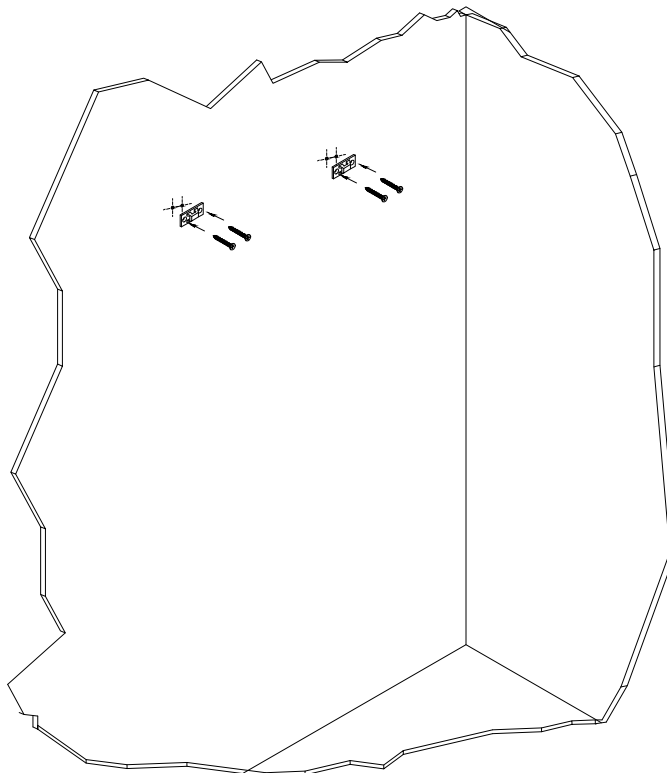


Please Note!
Always ensure that the wall
you want to drill into is free
from hidden electrical wires,
water and gas pipes.

Step23:



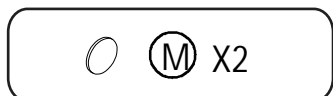
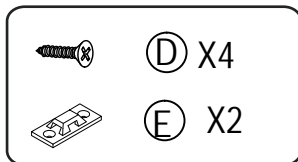
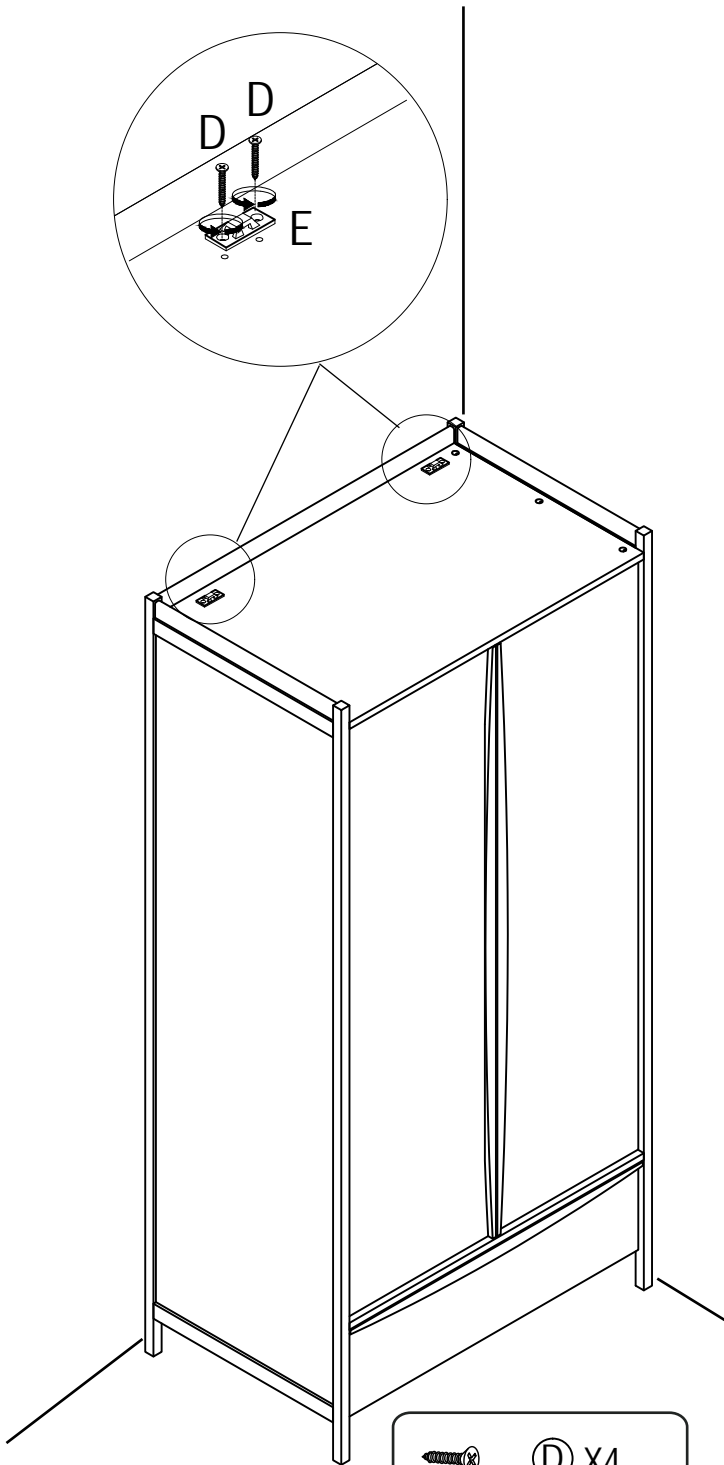
Step24:



ⓔ X2

Assembly Instructions

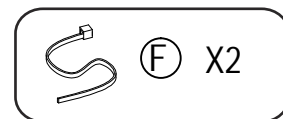
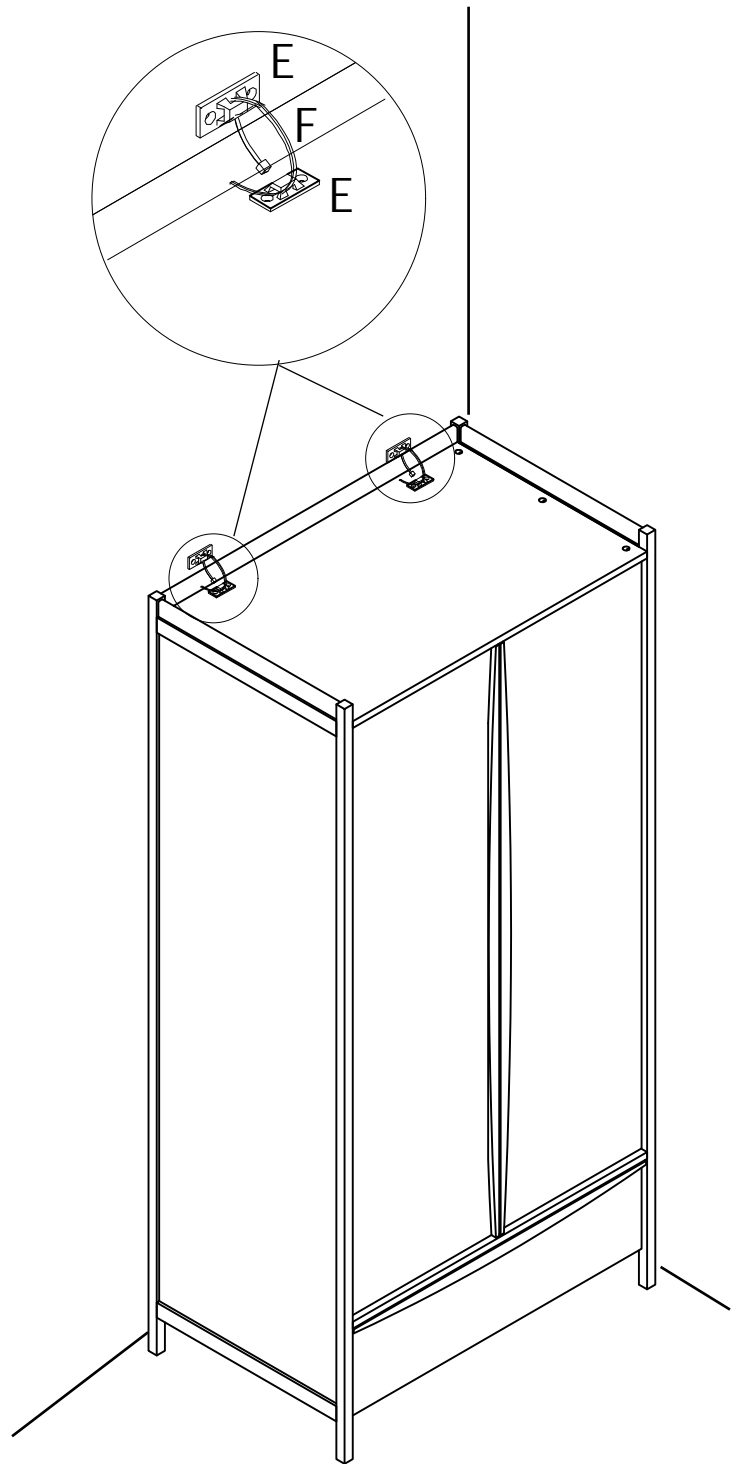
Step25:



Please Note!

If necessary the wardrobe can be levelled up on uneven floors using the 2 extra feet pads supplied.

Step26:



A Guide to - Wall Mounting & Fixings

Important note:

Wall Fixings:



- because of the variety of different wall types, Habitat cannot provide you with the exact fixings you will need to fix this product to the wall.


You must first identify the type of wall you intend to fix product onto and then contact your local hardware store to get the appropriate fixings.



Important: When drilling into walls always check that there are no hidden wires or pipes etc.

Make sure that the screws and wall plugs being used are suitable for supporting your unit. Consult a qualified tradesperson if you are unsure.

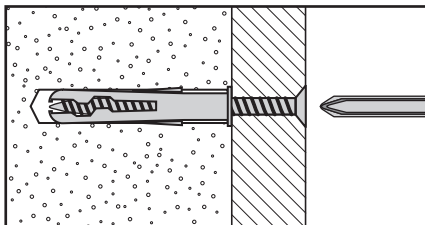
Hints:

- 1: General rule:**  Always use a larger screw and wall plug if you are not sure.
- 2:** Ensure you use the recommended drill bit to match the wall plug and hole size.
- 3:** Ensure you drill the hole horizontally, do not force the drill or enlarge the hole.
- 4:** Take extra care when drilling high walls, ceilings and ceramic tiles. Ensure wall plugs are inserted beyond the thickness of the ceramic tiles to avoid the tiles splitting or cracking.
- 5:** Ensure wall plugs are well fitted and are a tight fit in the drilled hole.

Types of walls

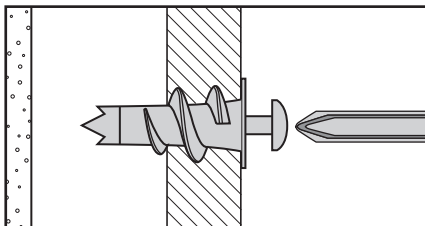
You can use one of the following types of wall plug if your walls are made of brick, breeze block, concrete, stone or wood.

No.1 "General Purpose" wall plug



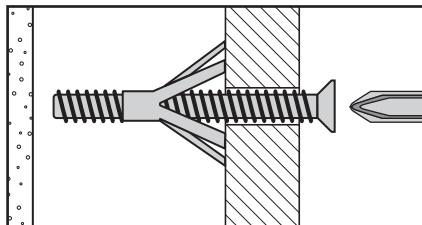
Generally aerated blocks should not be used to support heavy loads, use a specialist fitting in this case. For light loads, general purpose wall plugs can be used.

No.2 "Plasterboard" wall plug



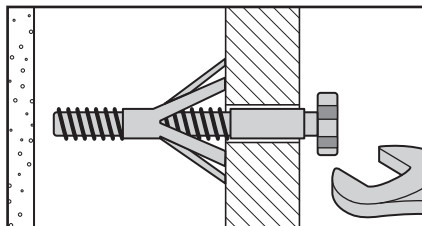
For use when attaching light loads on to plasterboard partitions.

No.3 "Cavity Fixing" wall plug



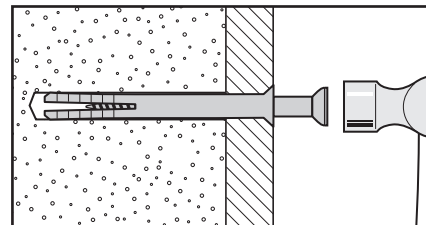
For use with plasterboard partitions or hollow wooden doors.

No.4 "Cavity Fixing-Heavy Duty" wall plug



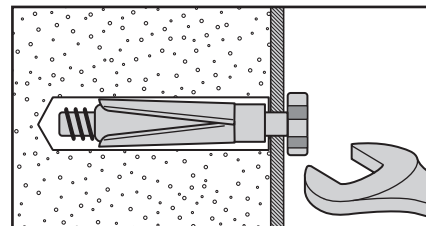
For use when fitting or supporting heavy loads such as shelving, wall cabinets and coat racks.

No.5 "Hammer Fixing" wall plug



For use with walls stuck with plasterboard. The hammer fixing allows it to be fixed to the wall rather than the plasterboard. Always check the fixing is secure to the retaining wall.

No.6 "Shield Anchor" wall plug Heavy loads



For use with heavier loads such as TV & HiFi speakers and satellite dishes etc.



Care & Maintenance

Safety: Always check the fitting and location to ensure your safety in and around the home.

Fitting: From time to time check the fitting to ensure the wall plugs or screws do not become loose.