

**Series 2, Wall-mounted cooker hood,
60 cm, Black
DWB66BC60B**



Optional accessories

- DWZ0XX0J0 Long Life recirculation kit
- DZZ1XX1B6 Clean Air Plus odor filter (replacement)

Wall mounted chimney hoods add style and sophistication to the kitchen and give you complete freedom in your kitchen planning.

- **Enjoy the benefits of a cleaner kitchen, free from excessive grease and unwanted odors.**
- **LED Illumination:** The energy-saving lighting provides bright and clear lighting for the hob area.
- **High extraction rate - for continuously clean air in the kitchen.**
- **3 Power Levels:** Adjust the extraction intensity according to your cooking needs.
- **Ducted or un-ducted options:** Flexibility to install our hoods in both ducted and un-ducted options.

Technical Data

Color chimney:	Black
Typology:	Wall-mounted
Length electrical supply cord:	130 cm
Height of the chimney:	583-912/583-1022 mm
Height of the appliance:	53 mm
Minimum distance above an electric hob:	550 mm
Minimum distance above a gas hob:	650 mm
Net weight:	12.0 kg
Type of control:	mechanical
Number of speed settings:	3
Max. air extraction:	621 m ³ /h
Max. air recirculation:	422 m ³ /h
Maximum Air flow:	621 m ³ /h
Number of lights:	2
Noise level:	69 dB(A) re 1pW
Diameter of air outlet:	120 / 150 mm
Grease filter material:	Washable aluminium
EAN code:	4242005451135
Connection rating:	220 W
Fuse protection:	10 A
Voltage:	220-240 V
Frequency:	50; 60 Hz
Plug type:	GB plug
Installation typology:	Wall-mounted



Series 2, Wall-mounted cooker hood, 60 cm, Black DWB66BC60B

Wall mounted chimney hoods add style and sophistication to the kitchen and give you complete freedom in your kitchen planning.

- DWB66BC60B

Design

- Chimney extractor hood
- Box design
- 60 cm wide
- Installation Installation: wall
- Black
- Suitable for ducted or recirculating operation
- For recirculated extraction recirculating kit or CleanAir recirculating kit (accessory) needed
- Dimensions exhaust air (HxWxD): 635-965 x 600 x 500 mm
- Dimensions recirculating (HxWxD): 635-1075 x 600 x 500 mm

Performance/technical information

- 3 power levels via Push button control
- Maximum extraction rate exhaust air 621 m³/h according to EN 61591
- Noise level according to EN 60704-3 and EN 60704-2-13 at max. normal use exhaust air: 69 dB(A) re 1 pW
- With the Clean Air Plus recirculation kit (available as optional accessory) your appliances reaches:
- Extraction rate in recirculation mode:
- Max. normal use: 422m³/h
- Noise level in recirculation mode:
- Max. normal use: 74 dB(A) re 1 pW
- Blower Efficiency Class: A*
- Lighting Efficiency Class: A*
- Grease Filtering Efficiency Class: B*

Energy efficiency class

- Energy Efficiency Class: B (at a range of energy efficiency classes from A+++ to D)
- Average Energy Consumption: 46.5 kWh/year*

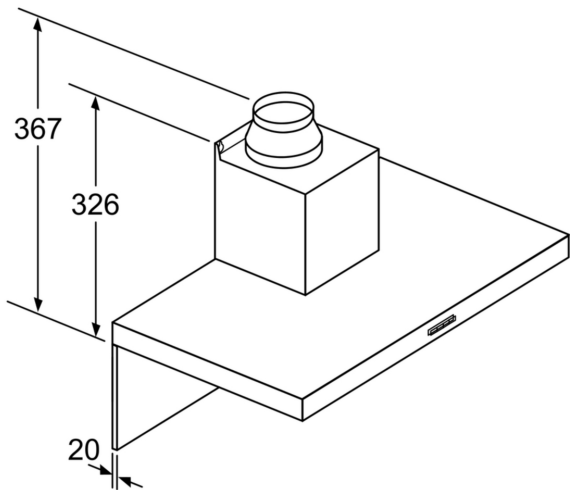
Technical Information

- Electrical cable length 1.3 m
- 2 x 1.5W LED light
- Colour Temperature: 3500 K
- Power rating: 220 W
- Diameter pipe Ø 150 mm (Ø 120 mm enclosed)

Special features

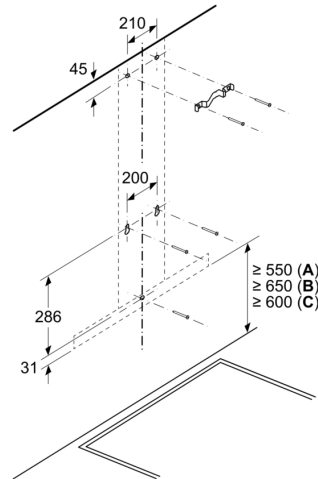
- Twin channel high performance fan motor
- 2 metal grease filter cassettes

**Series 2, Wall-mounted cooker hood,
60 cm, Black
DWB66BC60B**



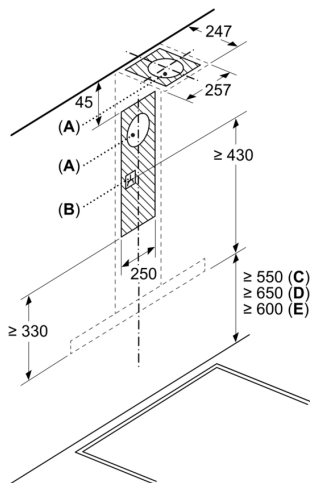
If a back panel is used, the design of the appliance must be considered. measurements in mm

Measurements in mm

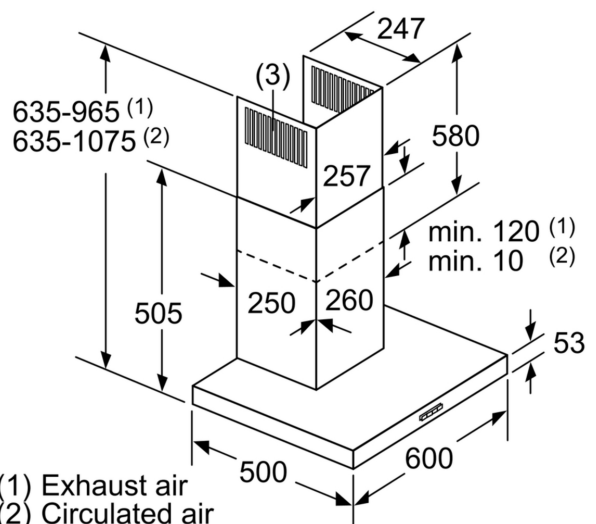


- A: Electric
- B: Gas - from upper edge of pan support
- C: Electric - for Australia and New Zealand

Measurements in mm



- A: Exhaust air outlet
- B: Socket
- C: Electric
- D: Gas - from upper edge of pan support
- E: Electric - for Australia and New Zealand



- (1) Exhaust air
 - (2) Circulated air
 - (3) Air outlet – slots for exhaust air to be mounted facing down
- measurements in mm