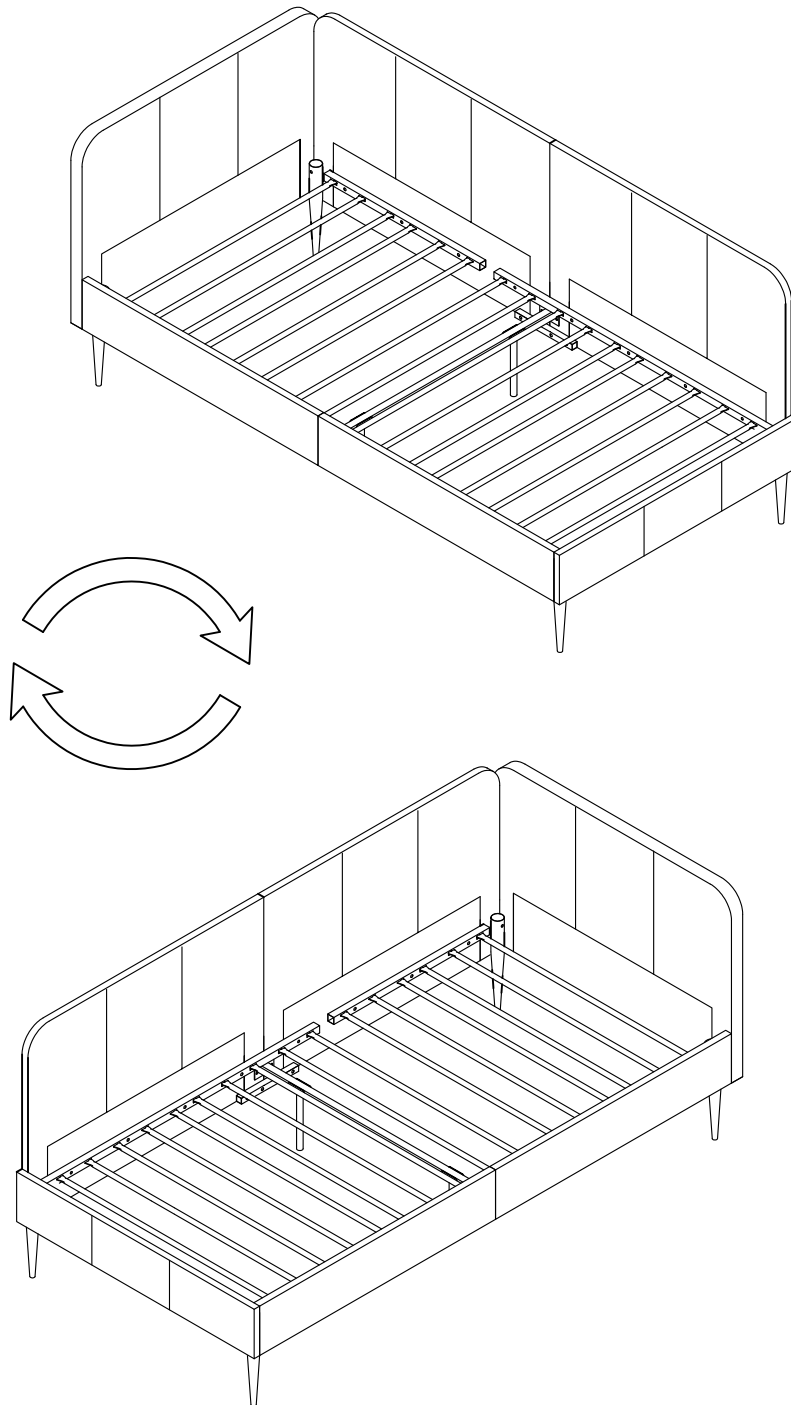


Kristopher




Spare Parts

 www.argos-support.co.uk

 Help@ClickSpares.co.uk

 0370 112 1928

Customer Support

 0345 640 2020

 argos.co.uk/help/contact-us



Safety and Care Advice

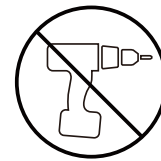
Product Details

AH KRISTOPHER CORNER DAY BED GREY 7449011

IMPORTANT, RETAIN FOR FUTURE REFERENCE : READ CAREFULLY.

- Keep children and animals away from the work area, small parts could choke if swallowed.
- Make sure you have enough space to layout the parts before starting.
- This product has been constructed to be used in the domestic environment only and not for commercial purposes.

- Assemble the item as close to its final position (in the same room) as possible.
- Assemble on a soft level surface to avoid damaging the unit or your floor.



- We do not recommend the use of power drill/drivers for inserting screws as this could damage the unit. Only use hand screwdrivers.
- Parts of the assembly will be easier with 2 people.
- Dispose of all packaging carefully and responsibly.

Care and maintenance

- Only clean using a damp cloth and mild detergent. Do not use abrasive cleaners.
- From time to time check that there are no loose screws, nuts or bolts. If there are please re-tighten.
- This product should not be discarded with household waste. Take to your local authority waste disposal centre.

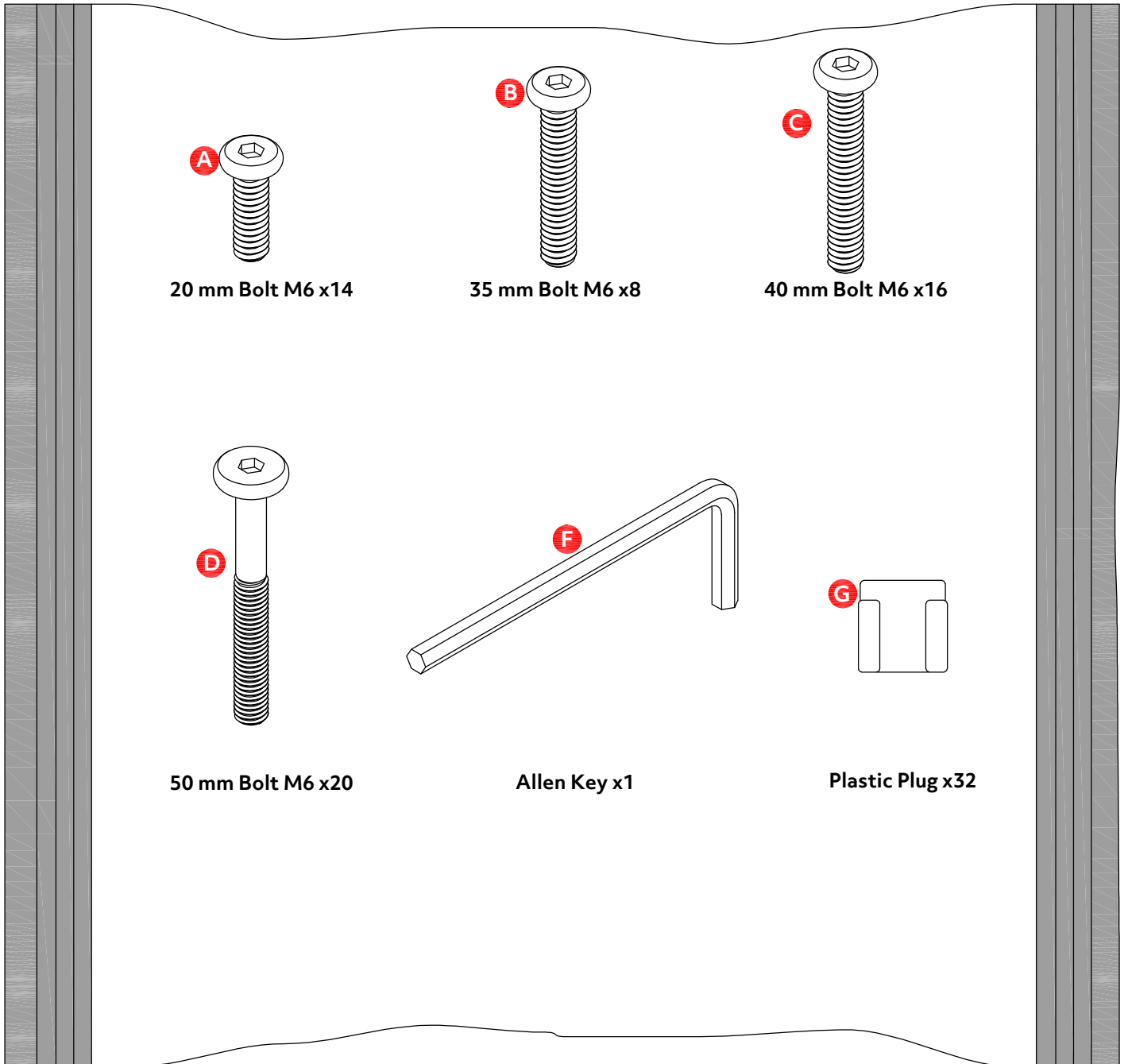
Additional Guidance

- Assemble all parts and bolts loosely during assembly, only once the product is complete should you fully tighten the bolts.
- Regularly check and ensure that all bolts and fittings are tightened properly.
- Any additional or replacement parts are obtained from the manufacturer.
- Age recommendation: Adult bed, 13 years and over.
- Maximum user weight 100kg.
- This product is compliant BSEN1725:2023 & EN1022 & EN12520.
- The mattress size follow below:

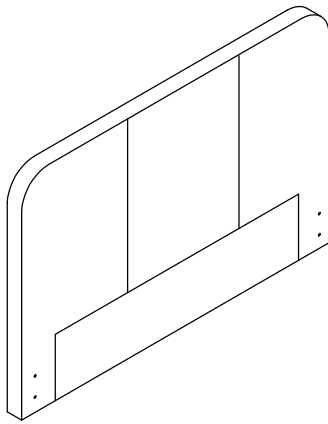
	Mattress Size
Single	Width 90 x Length 190 cm
Small Double	Width 120 x Length 190 cm
Double	Width 135 x Length 190 cm
King	Width 150 x Length 200 cm
Super King	Width 180 x Length 200 cm

Fittings (Shown to scale)

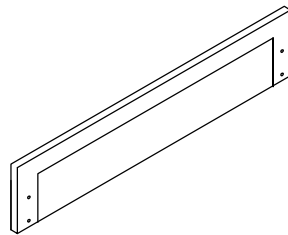
Bag



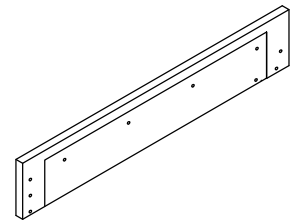
Panels



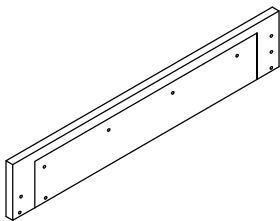
1 Headboard
(960 X 650 mm)



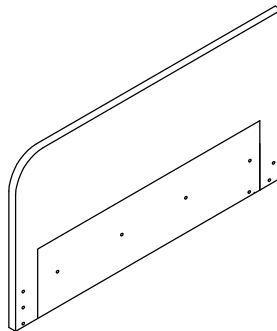
2 Footboard
(960 X 210 mm)



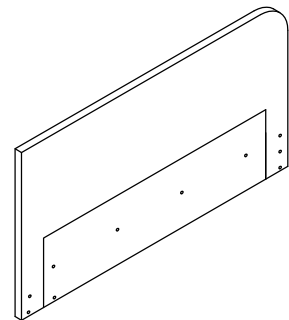
3 Side Rail 01 x1
(955 X 150 mm)



4 Side Rail 02 x1
(955 X 150 mm)



16 Backrest 01 x1
(955 X 650 mm)

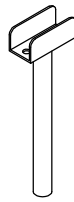


17 Backrest 02 x1
(955 X 650 mm)

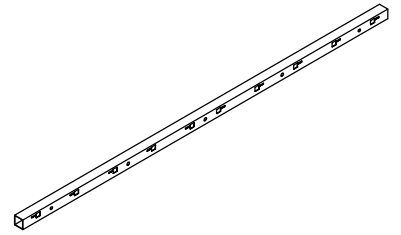
Hardware



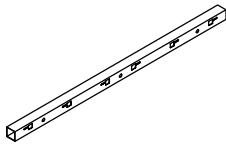
5 Leg x4
(300mm)



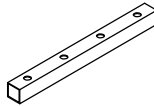
8 Support Leg x2
(225 mm)



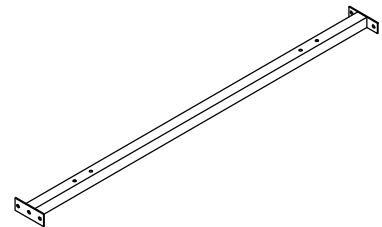
9 Side Rail 01 x2
(1100 mm)



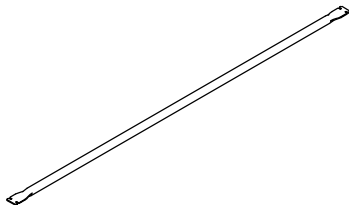
10 Side Rail 02 x2
(636 mm)



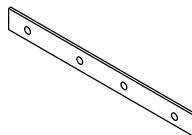
11 Side Rail 03 x2
(250 mm)



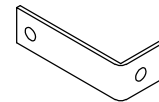
14 Cross Brace
(915 mm)



15 Slats x16
(882 mm)

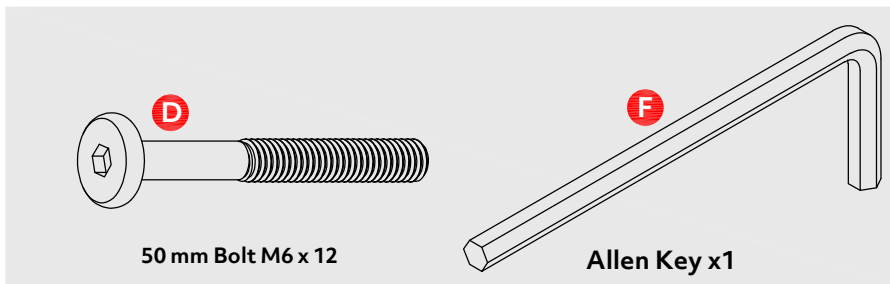
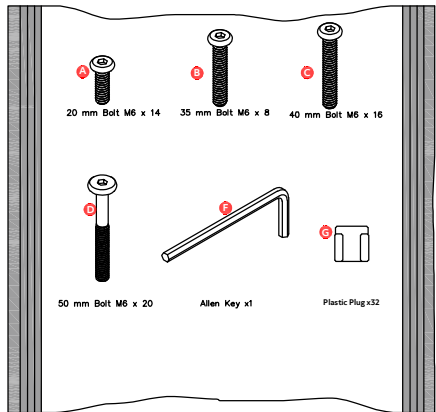


18 Bracket x1
(210 X 30 mm)

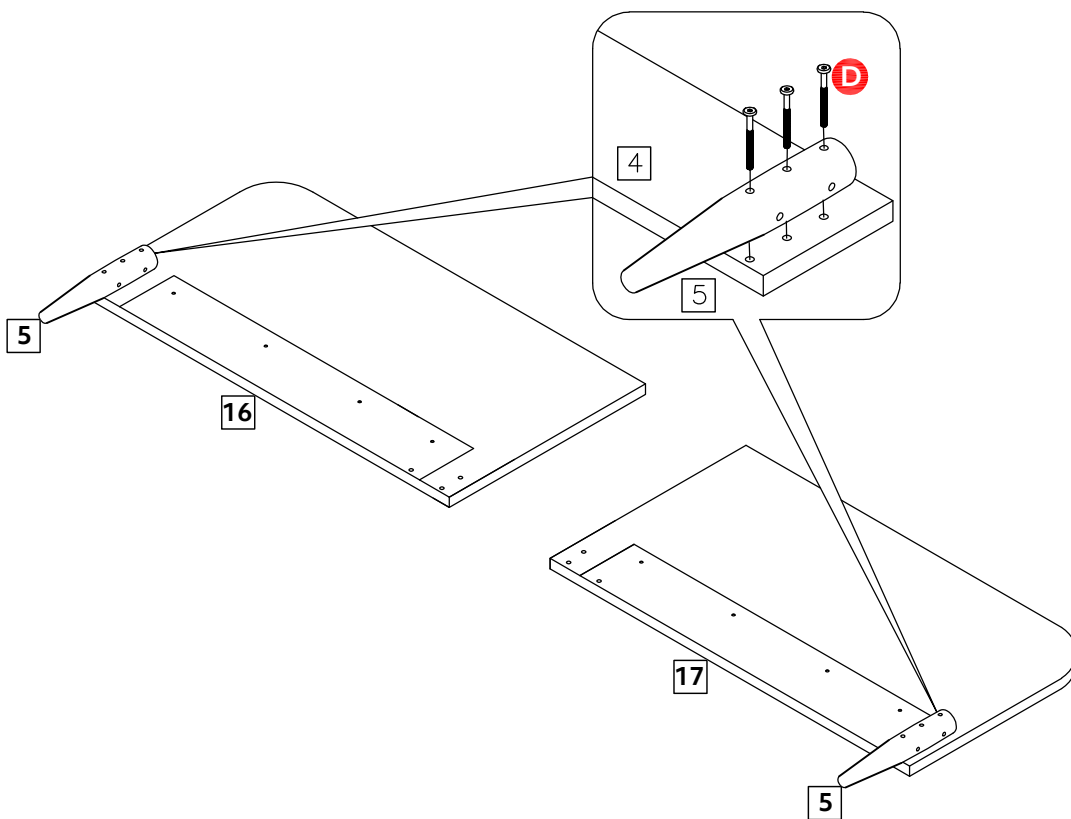
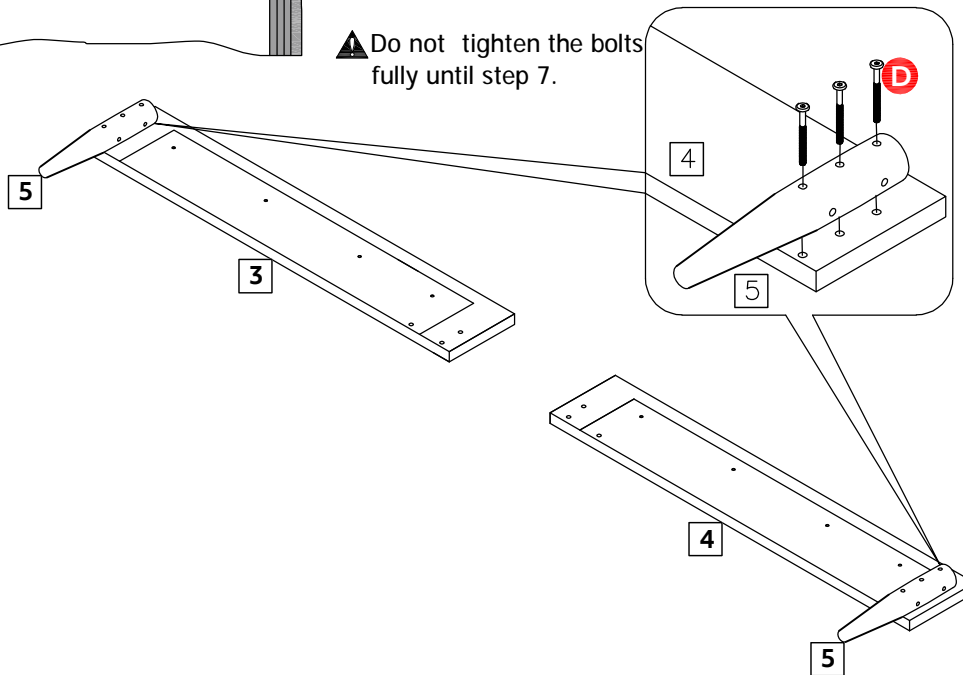


19 Bracket x1
(53 X 28mm)

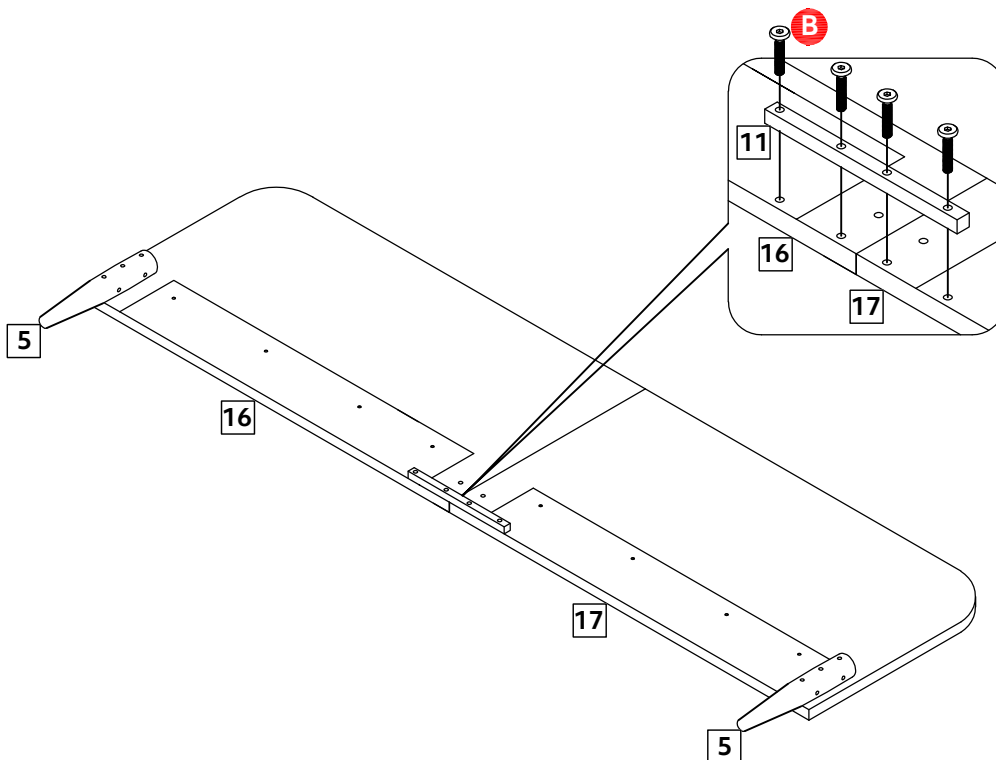
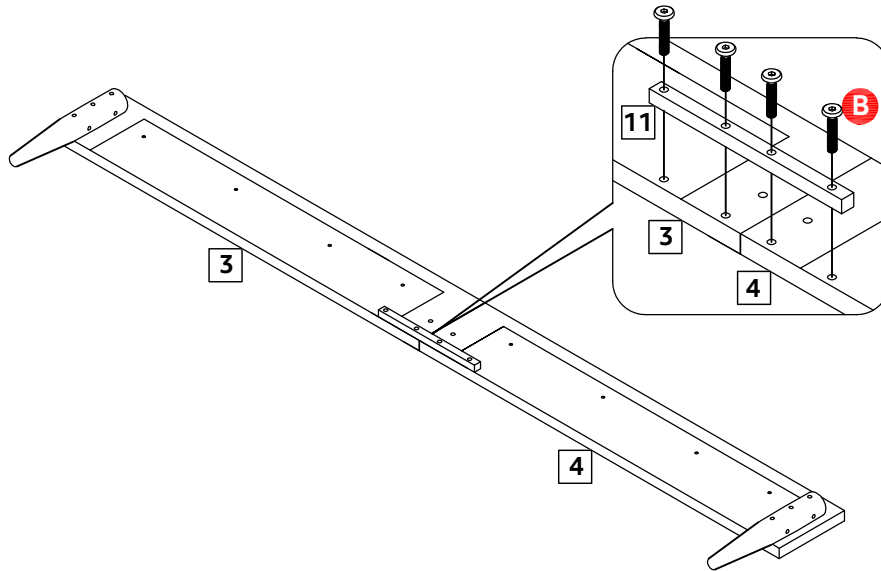
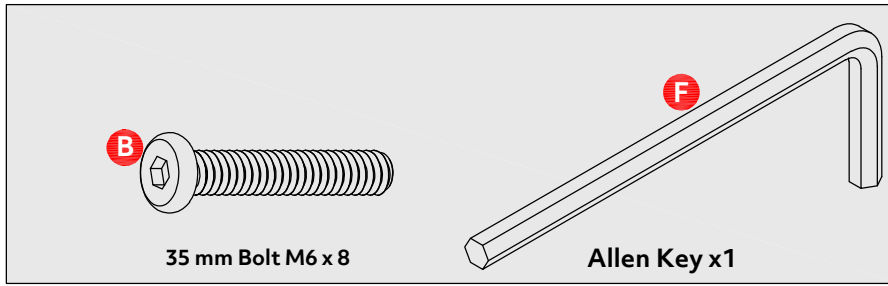
1



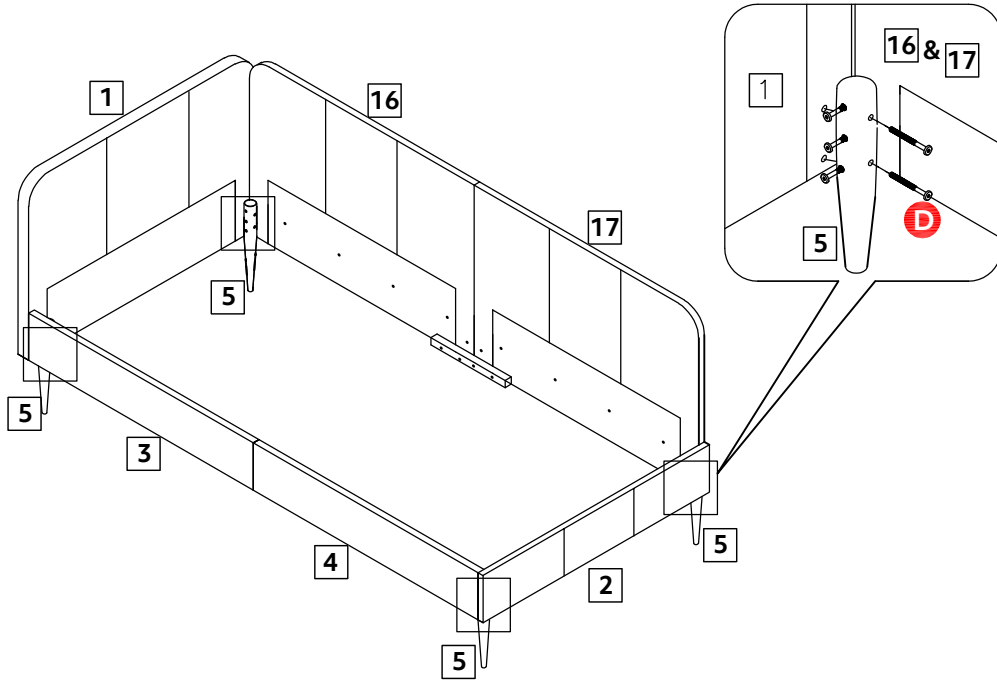
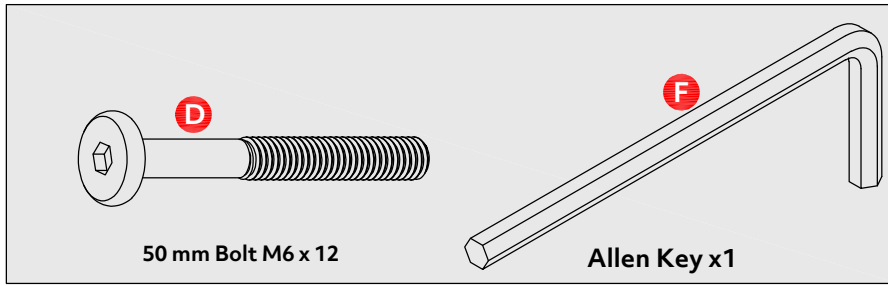
⚠ Do not tighten the bolts fully until step 7.



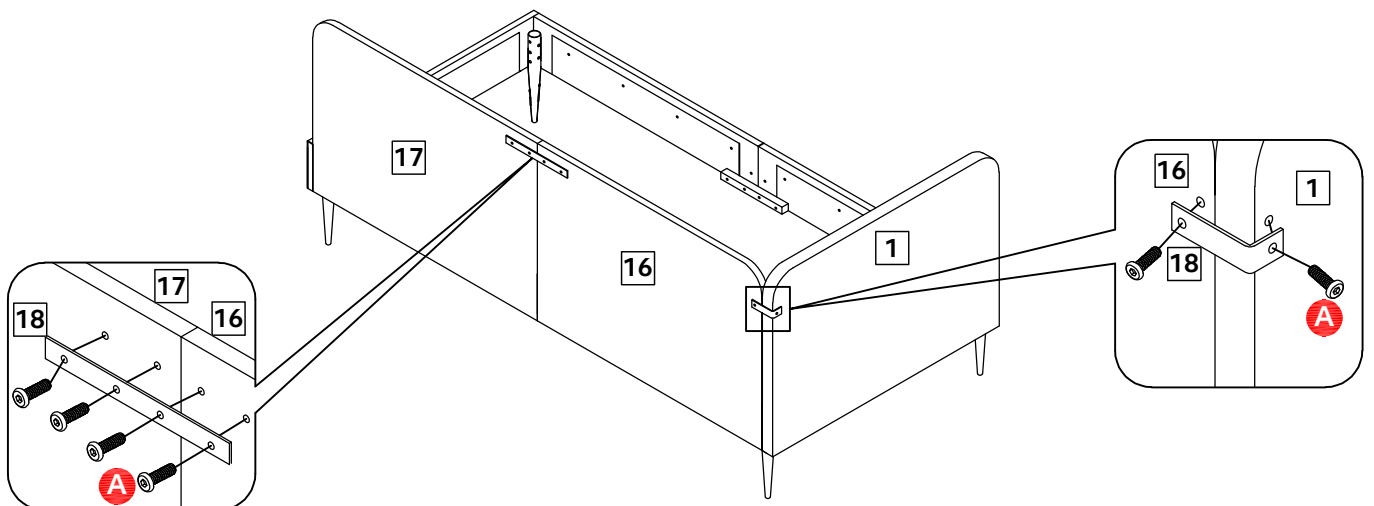
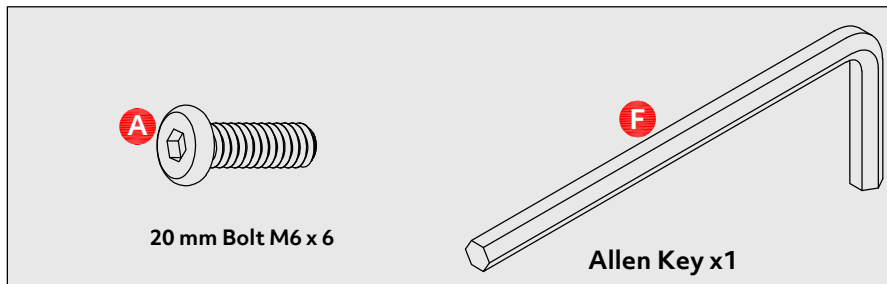
2



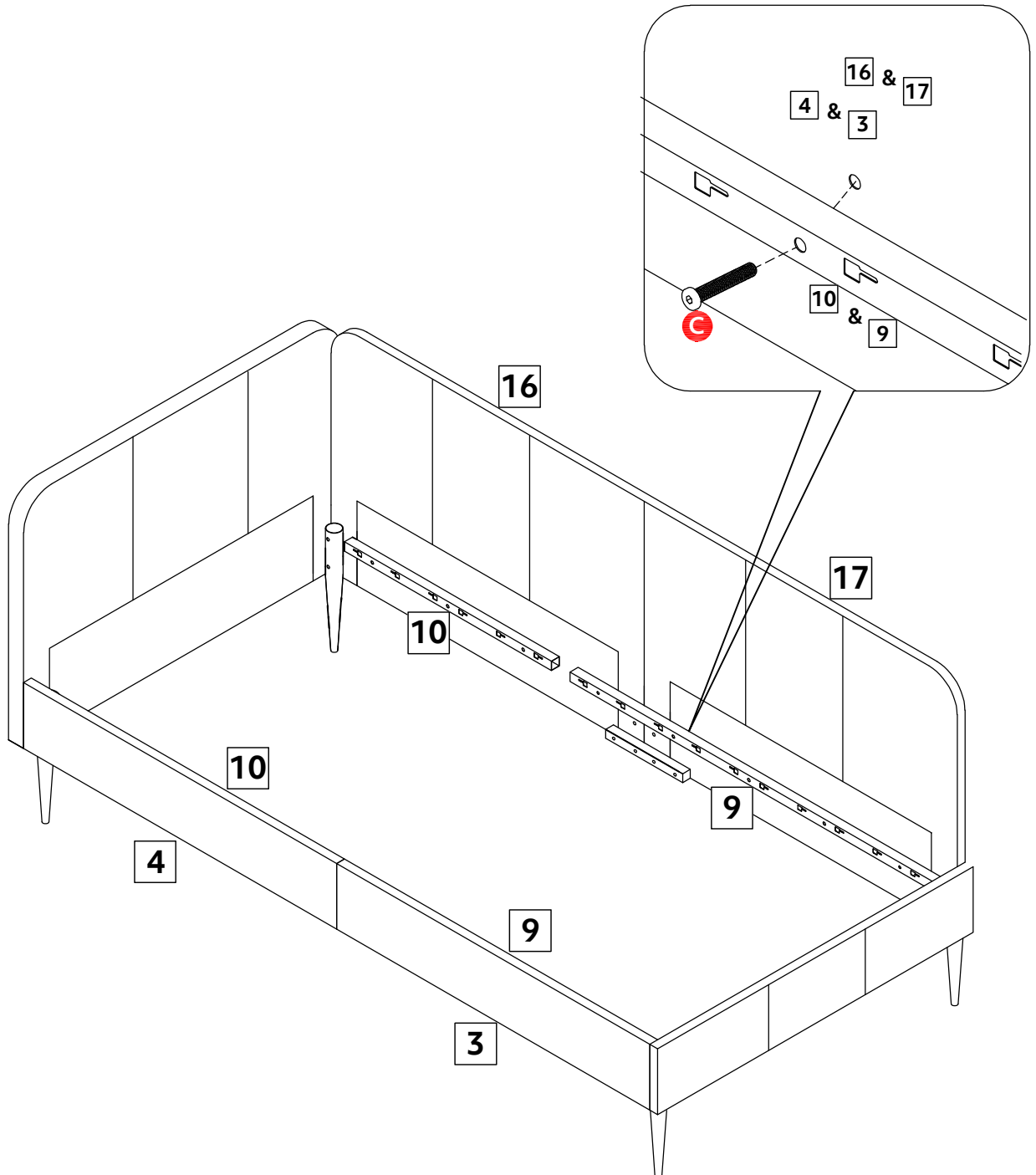
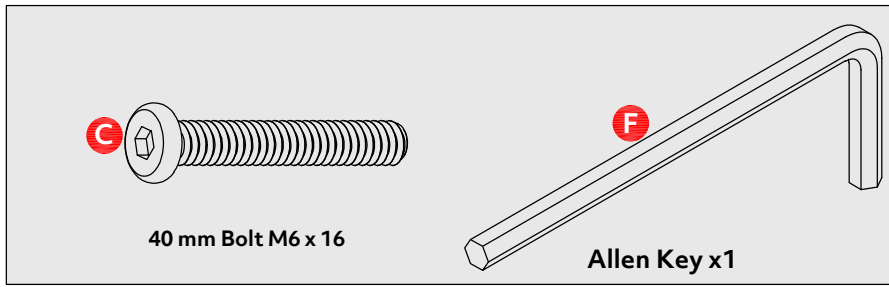
3



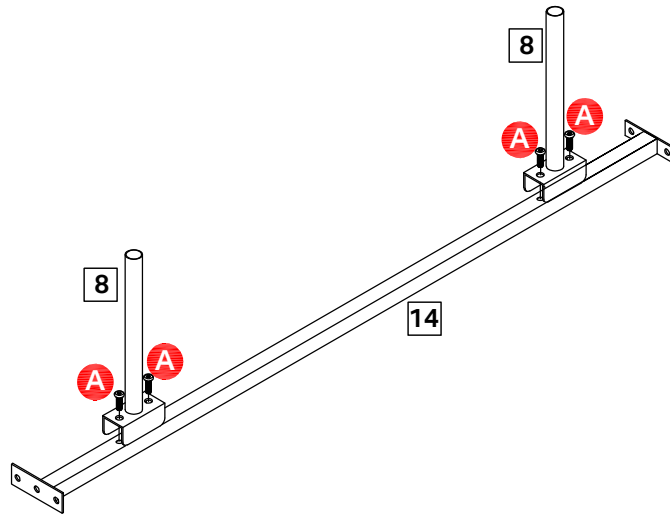
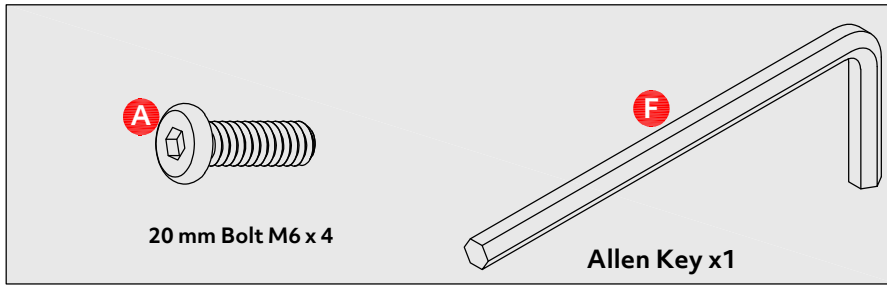
4



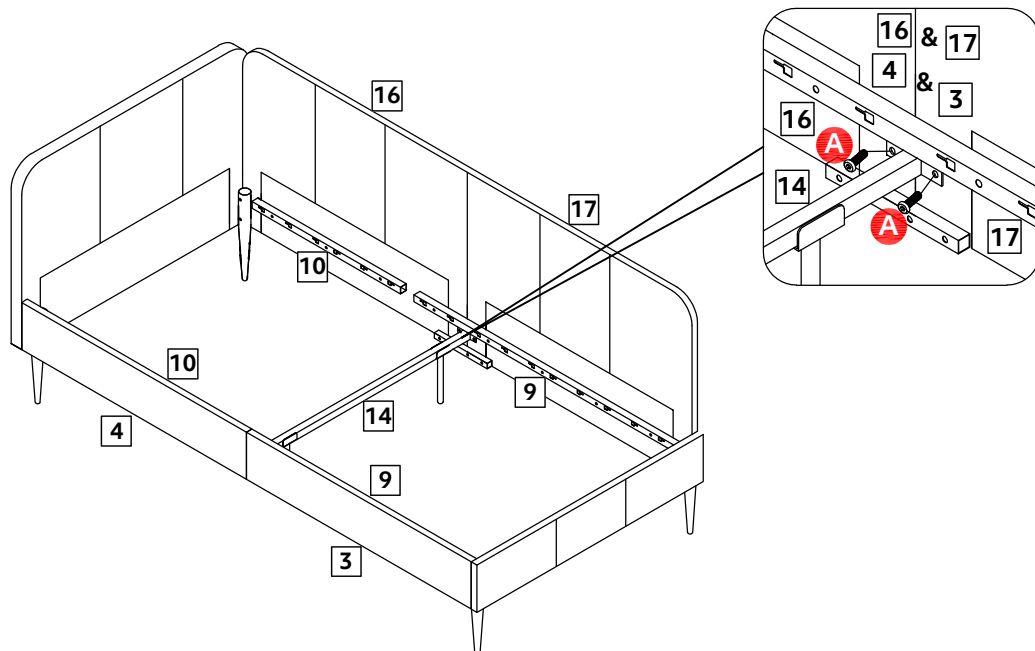
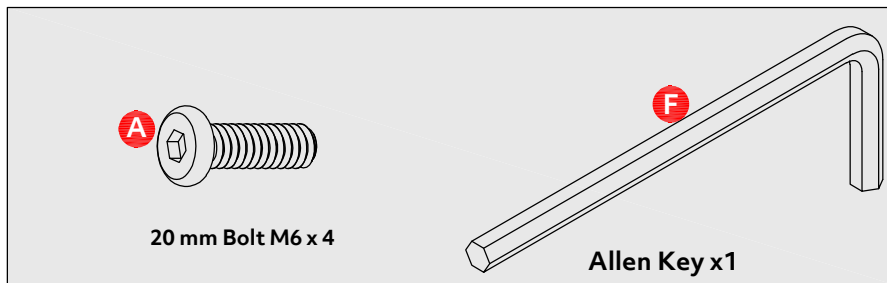
5



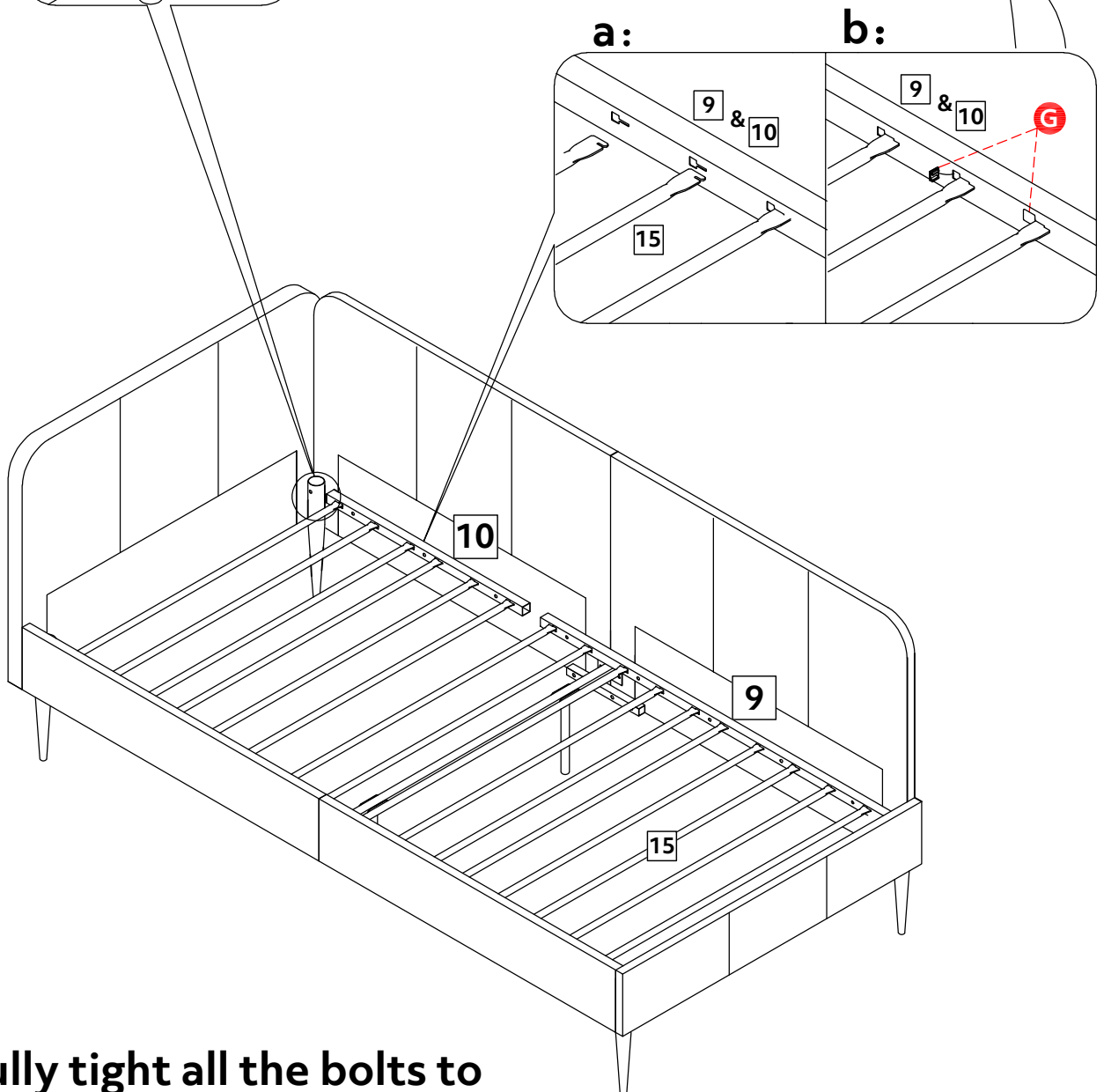
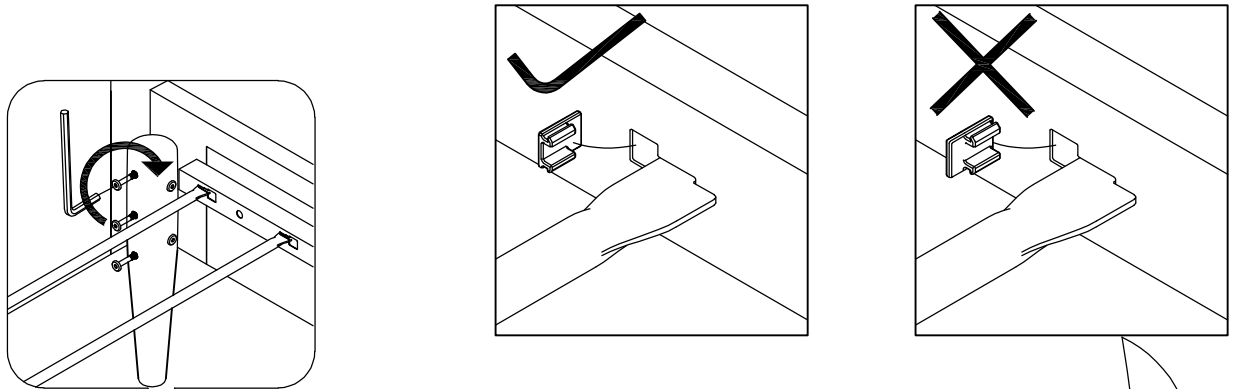
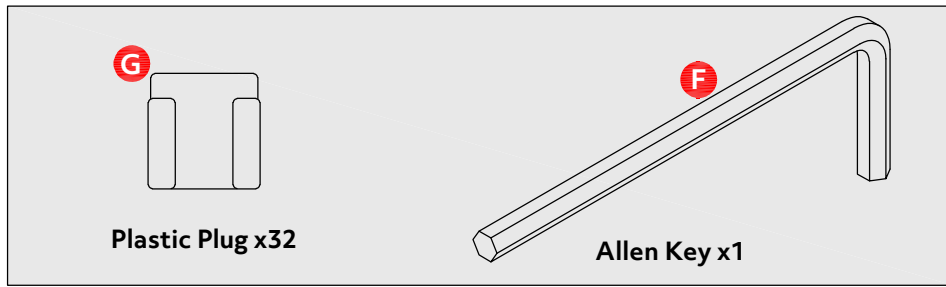
6



7



8



Fully tight all the bolts to complete the assembly!

Technical Specifications

Overall Dimensions (LWH mm)

Single: 1965 x 970 x 800

Internal Dimensions (LW mm)

Single: 1920 x 910

Distance between slats

Single: 100mm

Slat Dimensions (LWH mm)

Single: 882 x \varnothing 16

