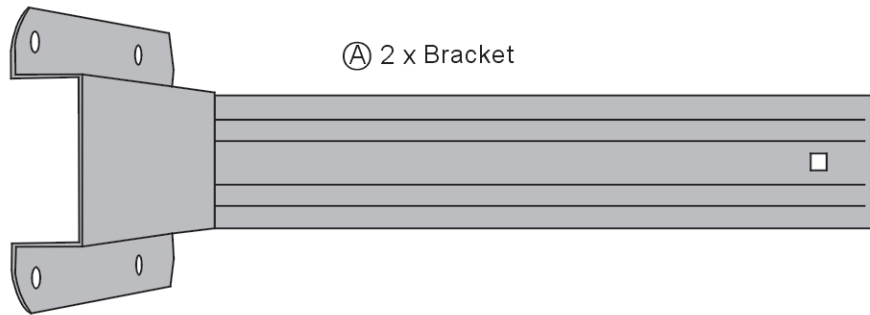
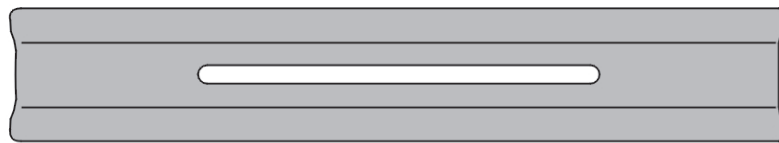


## Components



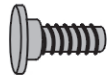
Ⓐ 2 x Bracket



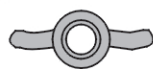
Ⓑ 2 x Extension Arm

## Fittings

Ⓐ 2 x Bolt



Ⓑ 2 x Nut



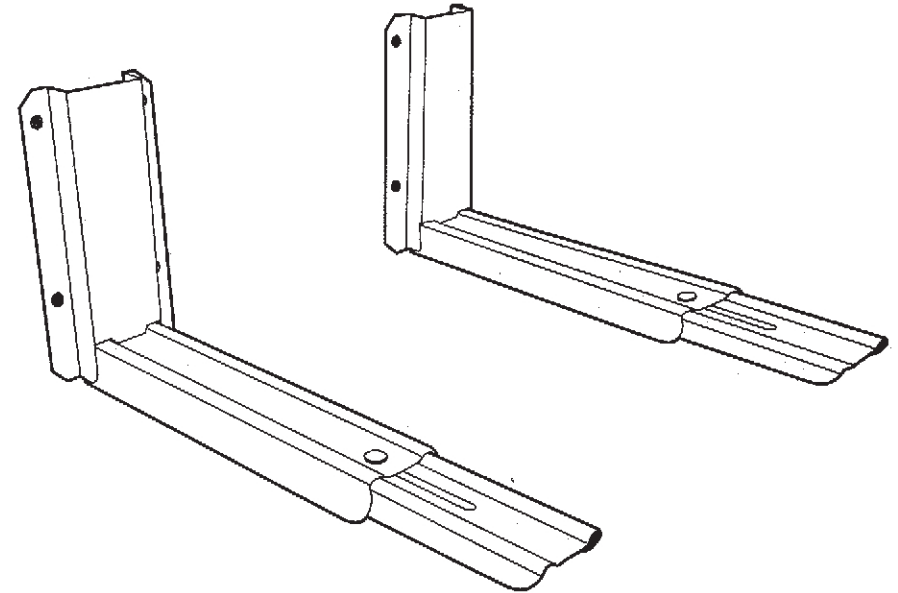
Ⓒ 2 x Washer



5-06

# Microwave Brackets

Simple Assembly Instructions - Please keep for future reference



## IMPORTANT

1. Read these instructions carefully and familiarise yourself with the procedure before assembling the unit.
2. Check that you have all the component parts following the list on the back cover and familiarise yourself with each part before proceeding.
3. Take all the fittings out of the plastic bag and separate them into their groups.
4. Ensure you have enough space to lay out all the parts before assembly.
5. To avoid scratching it is recommended that you assemble the unit on a soft level surface.

# Assembly Instructions

## Stage 1 – Wall Mounting

### WARNING:

- This is a load bearing product it is important that you use the correct wall fixings.
- Please check the material of your wall before installing the unit, and ensure it can withstand the weight of your microwave under load.
- Please read the attached "Wall Mounting & Fixing Instructions" before you start.

**NOTE:** It would be useful to ask someone to help you at this stage.

**LOCATION:** Place this unit where it will not be easily knocked or damaged or cause a hazard when removing hot food stuffs during use.

- Please read the Important Safety Instructions before you start.
- Measure the distance between the centres of your microwave feet to determine the width of the Brackets **A** between the centres. See fig. 1.

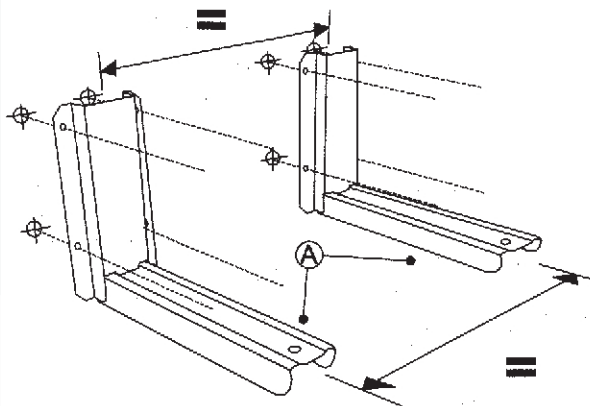
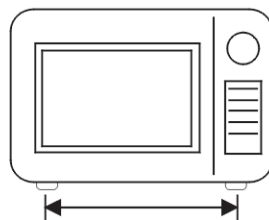


fig. 1



Check your microwave leg width =

# Assembly Instructions

## Stage 1 – Wall Mounting

**WALL MOUNTING:** Hold the Brackets against the wall in the desired location and check if they are both aligned vertically and horizontally. Mark the wall to indicate where to drill the holes. See fig. 1.

**IMPORTANT:** When drilling into walls always check that there are no hidden wires or pipes etc. Make sure that the screws and wall plugs supplied are suitable for supporting the unit. Consult a qualified tradesperson if you are not sure.

1. Depending on the type of wall you are fitting to use the appropriate Wall Plugs and Screws, see attached Wall Mounting and Fixing Instructions.
2. Use Wall Plugs to fit to the holes and then screw in through the unit to secure it to the wall. See fig. 2.

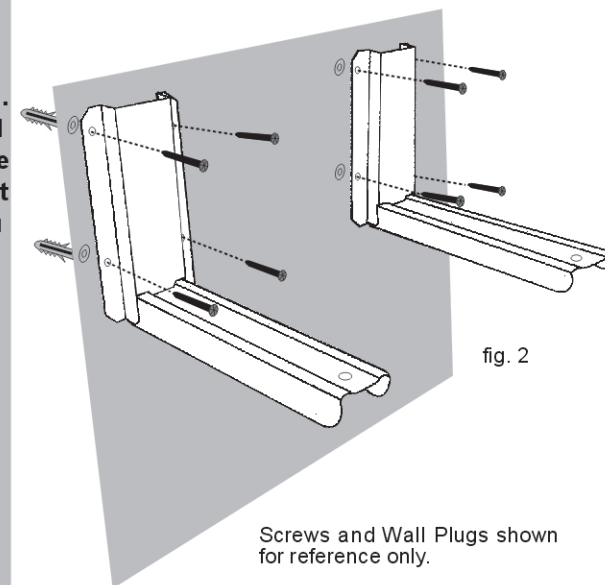


fig. 2

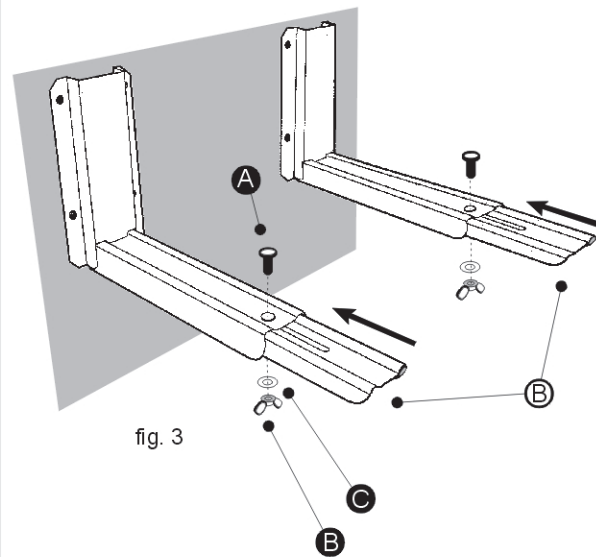
Screws and Wall Plugs shown for reference only.

# Assembly Instructions

## Stage 2 – Fitting the Extension Arm

**NOTE:** It would be useful to ask someone to help you at this stage.

1. Use Bolts **A**, Nuts **B** and Washers **C** to loosely fix the Extension Arms **B** onto the unit. **See fig.3.**



2. Measure the total Depth of your microwave from the Wall Bracket to determine how far to extend the Extension Arms. **See fig. 4.**

Side View

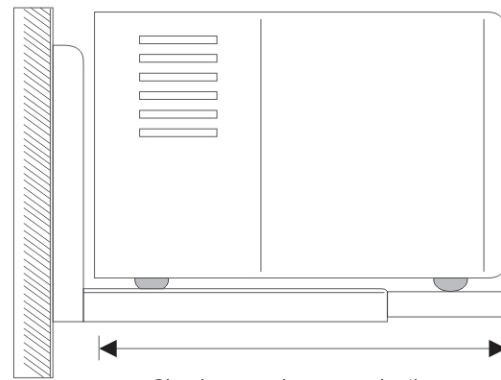


fig. 4

Check your microwave depth

3. Tighten all screws and nuts making sure they are secure.

4. Carefully place the Microwave onto the unit. **See fig. 5.**

# Assembly Instructions

## Stage 3 – Finishing the Unit



### WARNING:

- This is a load bearing product it is important that you use the correct wall fixings.

**NOTE:** The maximum safe load for the Bracket Assembly is 40kg evenly distributed over both brackets.

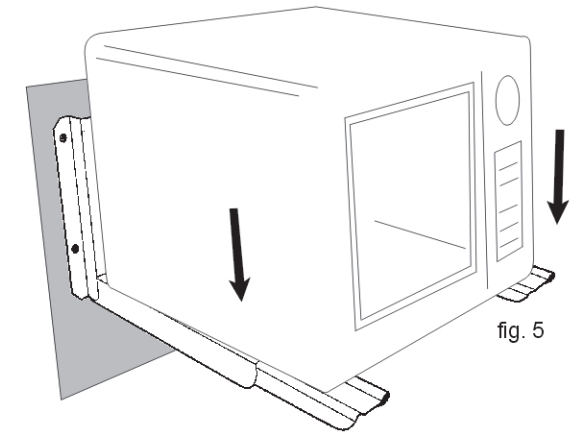


fig. 5

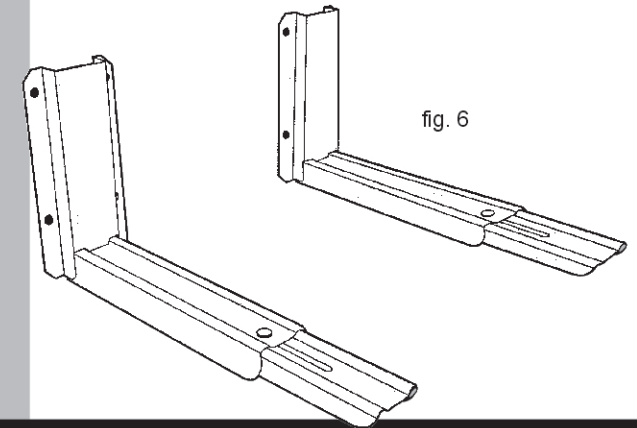


fig. 6

## Care and Maintenance

### Safety

To avoid any risk of suffocation to animals or children dispose of the plastic bags immediately.

### Cleaning

As with all surfaces clean with a damp cloth and mild detergent, do not use bleach or abrasive products.

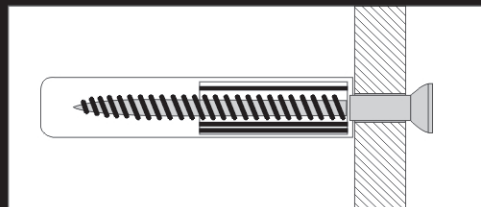
### Fitting

From time to time please ensure there are no loose screws on the product.


# A Guide to Wall Mounting & Fixings

## IMPORTANT:

When drilling into walls always check that there are no hidden wires or pipes etc. Make sure that the screws and wall plugs being used are suitable for supporting your unit. Consult a qualified tradesperson if you are unsure.



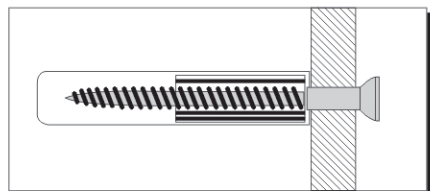
## HINTS:

- 1) General Rule  Always use a larger screw and wall plug if you are not sure.
- 2) Ensure you use the recommended drill bit to match the wall plug and hole size.
- 3) Ensure you drill the hole horizontally, do not force the drill or enlarge the hole.
- 4) Take extra care when drilling high walls, ceilings and ceramic tiles. Ensure the plug is fitting below the ceramic tile to avoid splitting or cracking.
- 5) Ensure wall plugs are well fitted and are a tight fit in the drilled hole.

## Types Of Walls

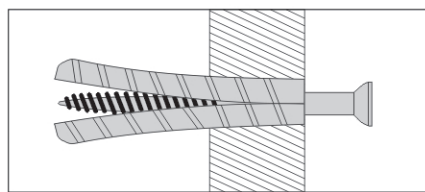
You can use one of the following types of wall plug if your walls are made of brick, breeze block, concrete, stone, wood or plaster board.

### No.1 "Standard" Wall Plug General Wall Materials



These come in various sizes and are made from plastic or sometimes wood fiber.

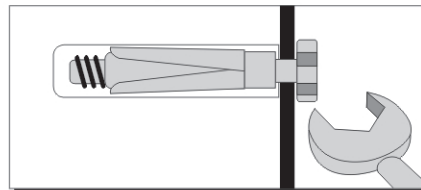
### No.2 "General Purpose" Wall Plug Aerated / Breeze Block



Generally aerated blocks should not be used to support heavy loads, use a specialist fitting in this case. For light loads, a General Purpose Plug can be used.

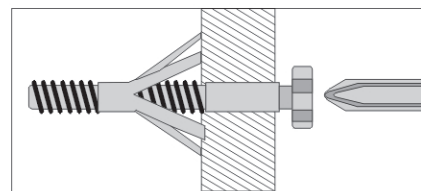
# A Guide to Wall Mounting & Fixings

### No.3 "Shield Anchor" Wall Plug Heavy Loads



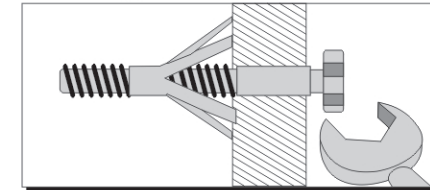
For use with heavier loads such as TV & HiFi Speakers and Satellite Dishes etc.

### No.4 "Cavity Fixing" Wall Plug



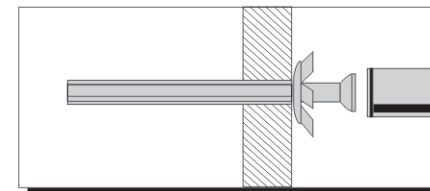
For use with plaster board partitions or hollow wooden doors.

### No.5 "Cavity Fixing - Heavy Duty" Wall Plug



For use when fitting or supporting heavy loads such as shelving, wall cabinets, coat racks.

### No.6 "Hammer Fixing" Wall Plug



For use with walls stuck with plaster board. The hammer fixing allows it to be fixed to the wall rather than the plaster board. Always check the fixing is secure to the retaining wall.

## CARE & MAINTENANCE

### SAFETY

Always check the fitting and location to ensure your safety in and around the home.

### FITTING

From time to time check the fitting to ensure the wall plugs or screws do not become loose.