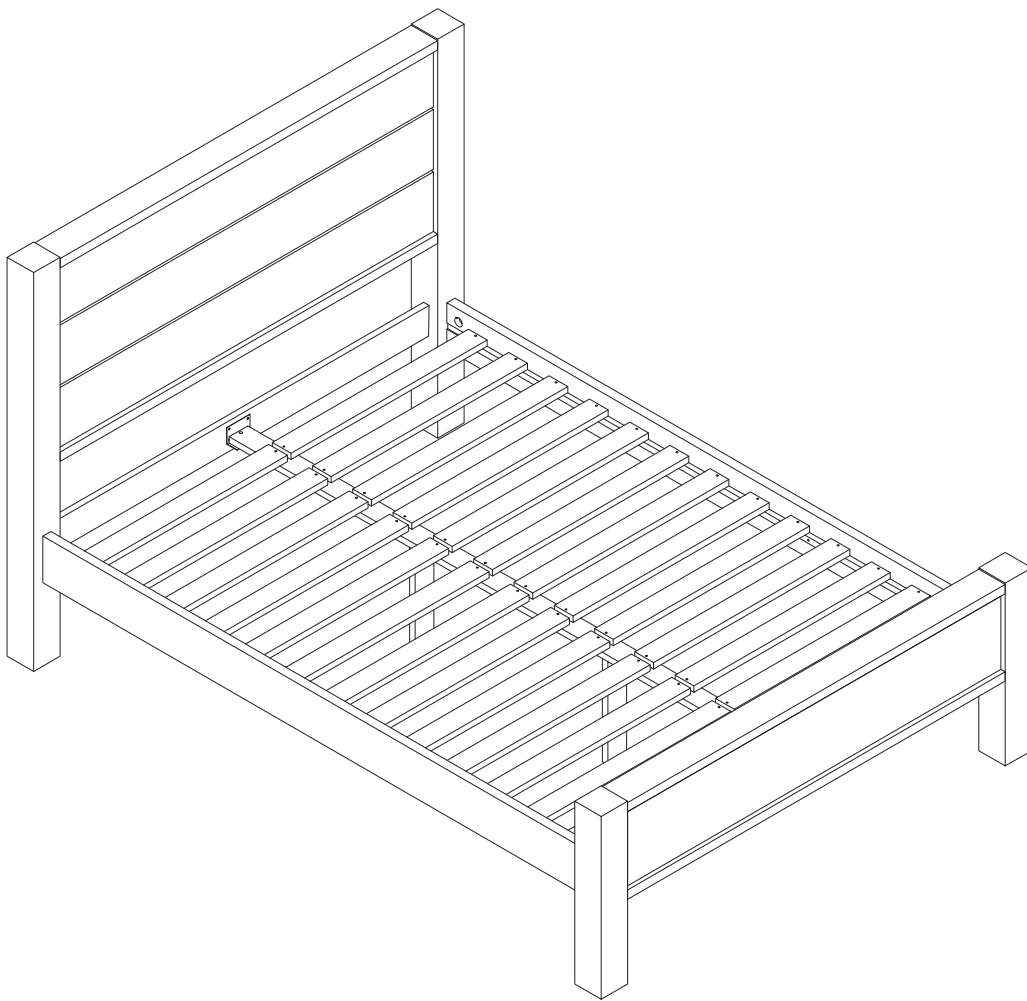


# Fairfield 4ft6 Bed Frame Pine

Assembly Instructions - Please keep for future reference

852/5800



## Dimensions

Width - 149,6cm

Length - 206,4cm

Height - 120cm

**Important** – Please read these instructions fully before starting assembly

If you need help or have damaged or missing parts, call the **Customer Helpline: 03456 400 800**



# Safety and Care Advice

**Important** - Please read these instructions fully before starting assembly

- Check you have all the components and tools listed on pages 2 and 3.
- Remove all fittings from the plastic bags and separate them into their groups.
- Keep children and animals away from the work area, small parts could choke if swallowed.
- Make sure you have enough space to layout the parts before starting.
- Do not stand or put weight on the product, this could cause damage.
- Assemble the item as close to its final position (in the same room) as possible.
- Assemble on a soft level surface to avoid damaging the unit or your floor.

- This product contains natural timber. You may notice some variation in the grain and colour of different component parts which is normal for furniture produced using natural wood and is not the result of any manufacturing fault.
- The product has been treated with a wax and oil finish to prevent dirt ingress and preserve moisture.
- On unpacking the furniture you may notice an odour due to this treatment; this will disappear once the furniture is unpacked and assembled after a period of time.
- This process may leave some staining on the packaging material; please take care to ensure this does not transfer to clothing or carpeted surfaces during assembly.



- We do not recommend the use of power drill/drivers for inserting screws, as this could

damage the unit. Only use hand screwdrivers.

- Parts of the assembly will be easier with 2 people.
- Dispose of all packaging carefully and responsibly

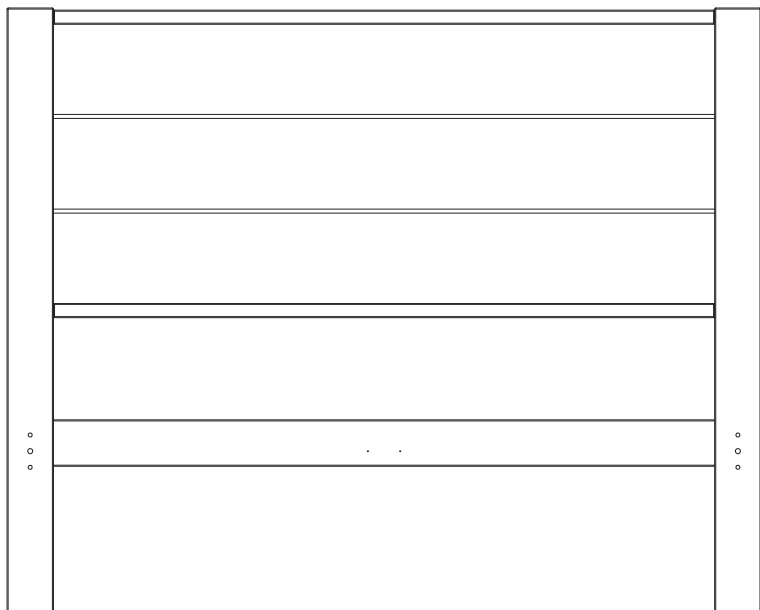
## Care and maintenance

- Use an appropriate furniture polish for natural wood furniture and a dry cloth to clean the product.
- Avoid placing the furniture in direct sunlight as this will cause the timber to prematurely age.
- From time to time check that there are no loose screws on this unit.
- This product should not be discarded with household waste. Take to your local authority waste disposal centre.

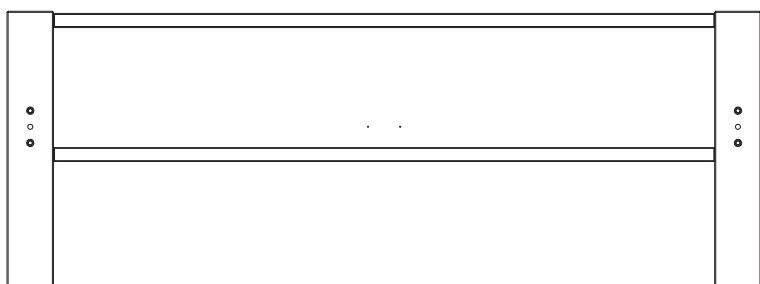
**Note:** if required the next page can be cut out and used as reference throughout the assembly. Keep this page with these instructions for future reference.

# Components - Panels

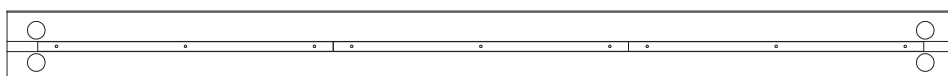
Please check you have all the panels listed below



**01** Headboard (149,6x120cm)



**02** Footboard (149,6x55cm)



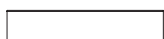
**03** Side Rail x2 (188x14cm)



**04** Central Rail (197x6,5cm)



**05** Slats x26 (68,2x6,5cm)



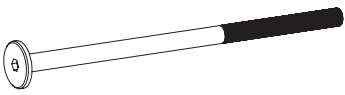

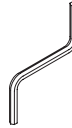



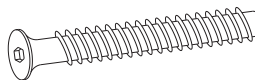
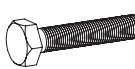

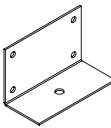
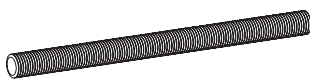
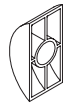

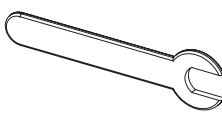
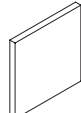
**06** Middle Support x2 (30x6,5cm)

# Components - Fittings

If you have damage or missing components, call the **Customer Helpline: 03456 400 800.**

Please check you have all the fittings listed below.

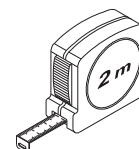
**Note:** The quantities below are the correct amount to complete the assembly. In some cases more fittings may be supplied than are required.

<b>A</b>  130mm Bolt x 04	<b>B</b>  Half-moon nut x 04	<b>C</b>  Allen key
<b>D</b>  40mm Wooden dowel x 04	<b>E</b>  14mm Screw x 08	<b>F</b>  35mm Screw x 52
<b>G</b>  50mm Bolt x 02	<b>H</b>  32mm Bolt x 02	<b>I</b>  Nut 1/4" x 02
<b>J</b>  Bracket x 02	<b>L</b>  80mm Headless bolt x 04	<b>M</b>  Washer x 04
<b>N</b>  Large Nut M8 x 04	<b>P</b>  Spanner	<b>Q</b>  Spacer 75mm x 02

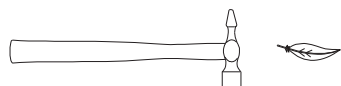
## Tools required



Phillips screwdriver  
(medium & large)



Ruler/tape  
measure

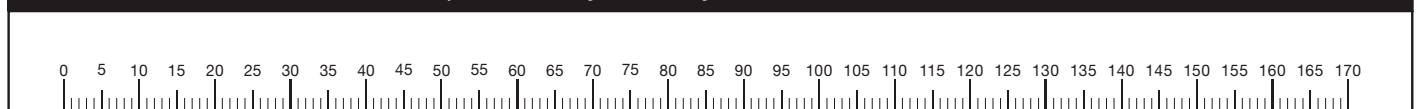


Small  
hammer



Eye protection  
(when using a  
hammer or glue)

Ruler - Use this ruler to help correctly identify the screws



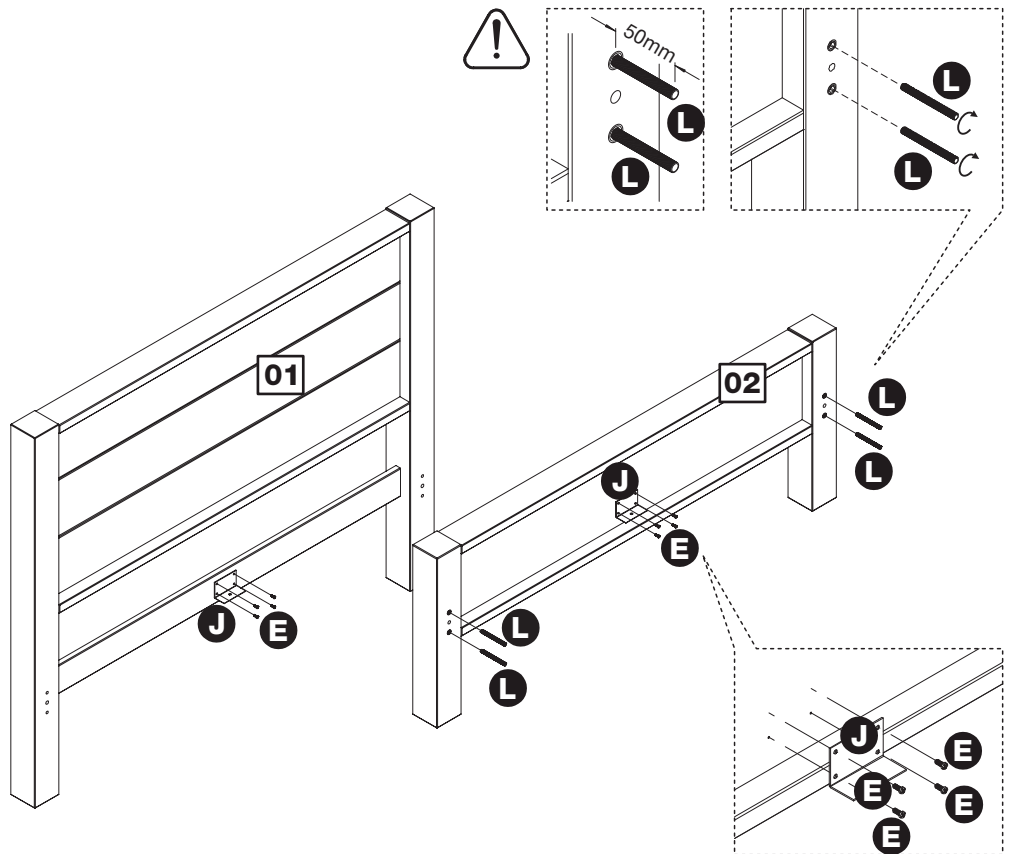
# Assembly Instructions

## Step 1

### Fixing metal brackets

Fix metal brackets **J** into pre drilled holes in the headboard **01** and footboard **02** using screws **E**

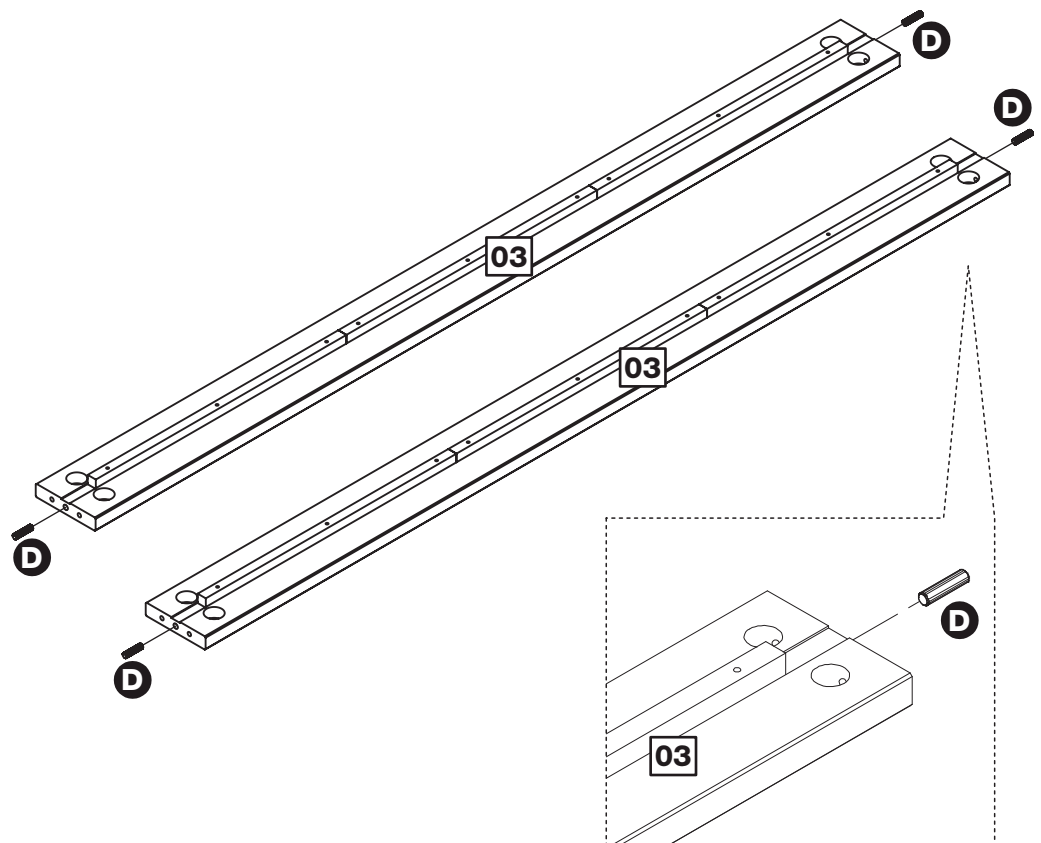
Screw headless bolt **L** to footboard **02**.



## Step 2

### Fitting dowels

Insert dowels **D** into the side rails **03**.



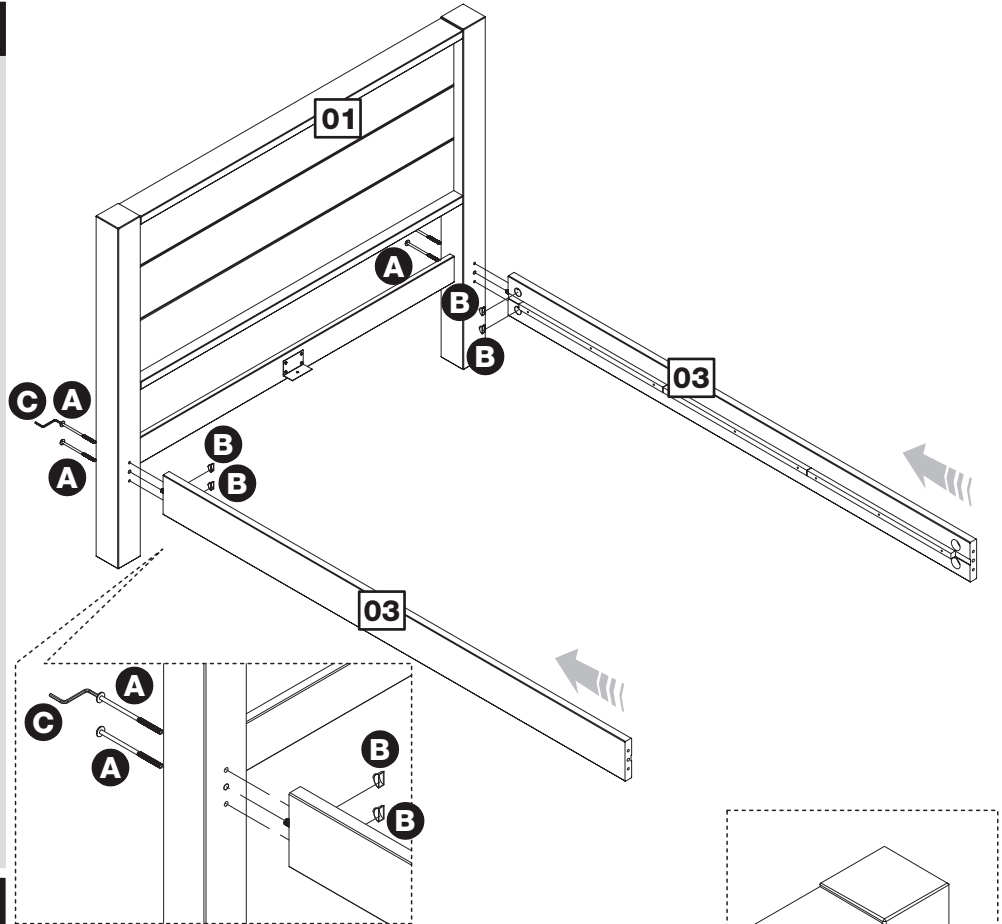
# Assembly Instructions

## Step 3

### Assembling side rails

Attach side rails **03** to the headboard **01**. Insert half moon nut **B** into the side rails as shown. Then fix them to the headboard using bolts **A** and allen key **C**.

**Caution:** Assembling of Step 3 and Step 4 will be easier with 2 people. It can also avoid damages or brakes of any part or component.

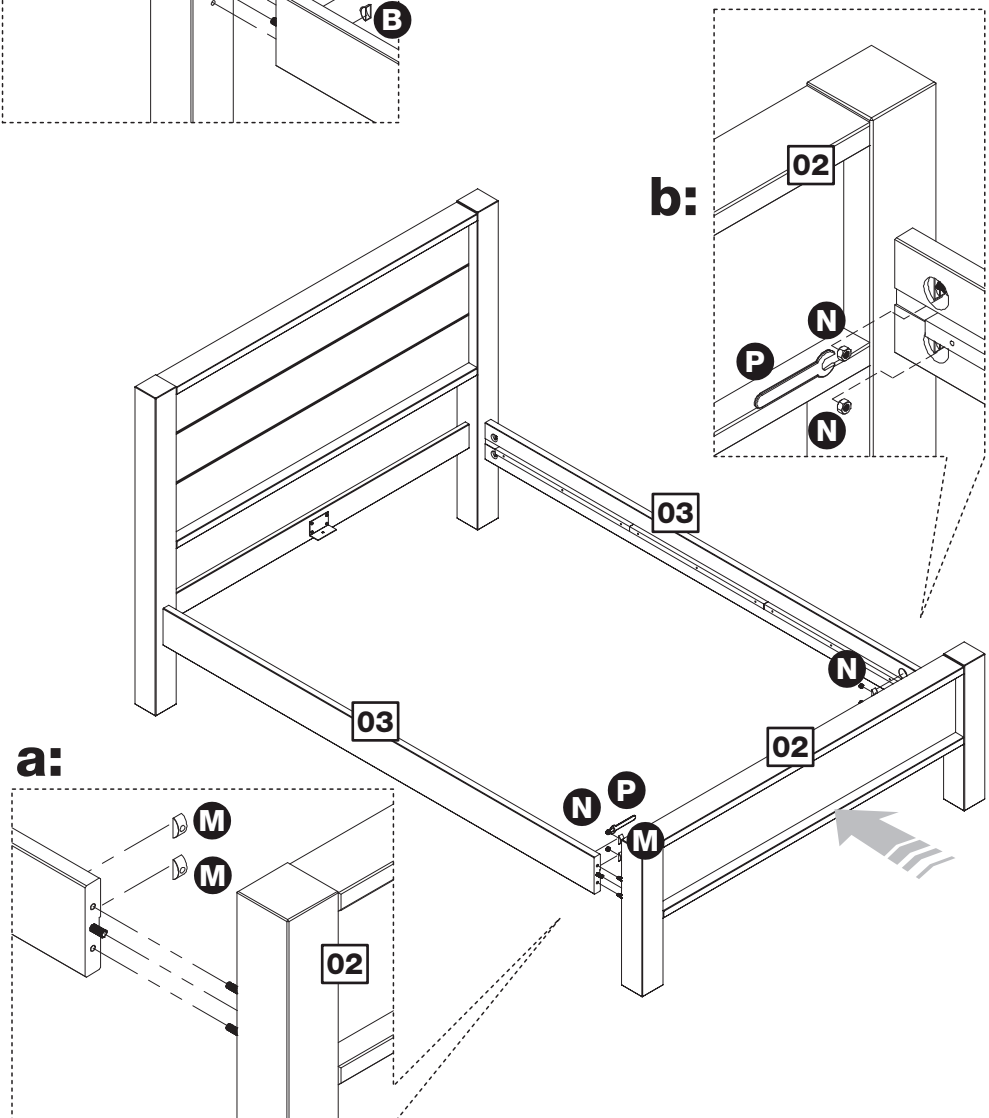


## Step 4

### Fixing footboard

Insert washers **M** into the side rails **03** and fit footboard **02** to side rails.

Fix headless bolts using nuts **N** and spanner **P**

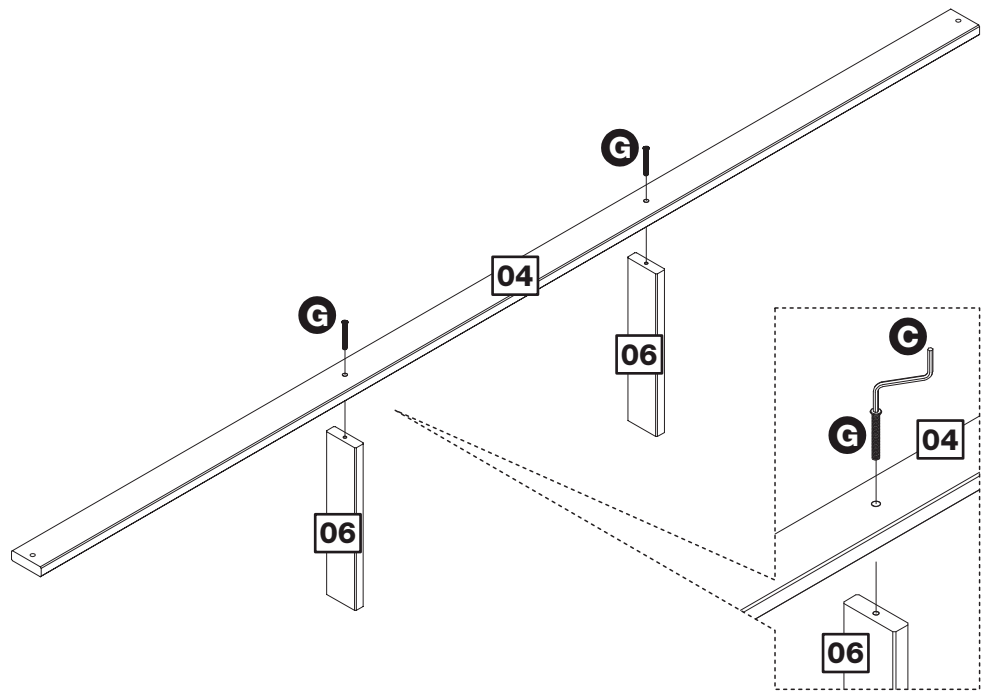


# Assembly Instructions

## Step 5

### Fixing middle support

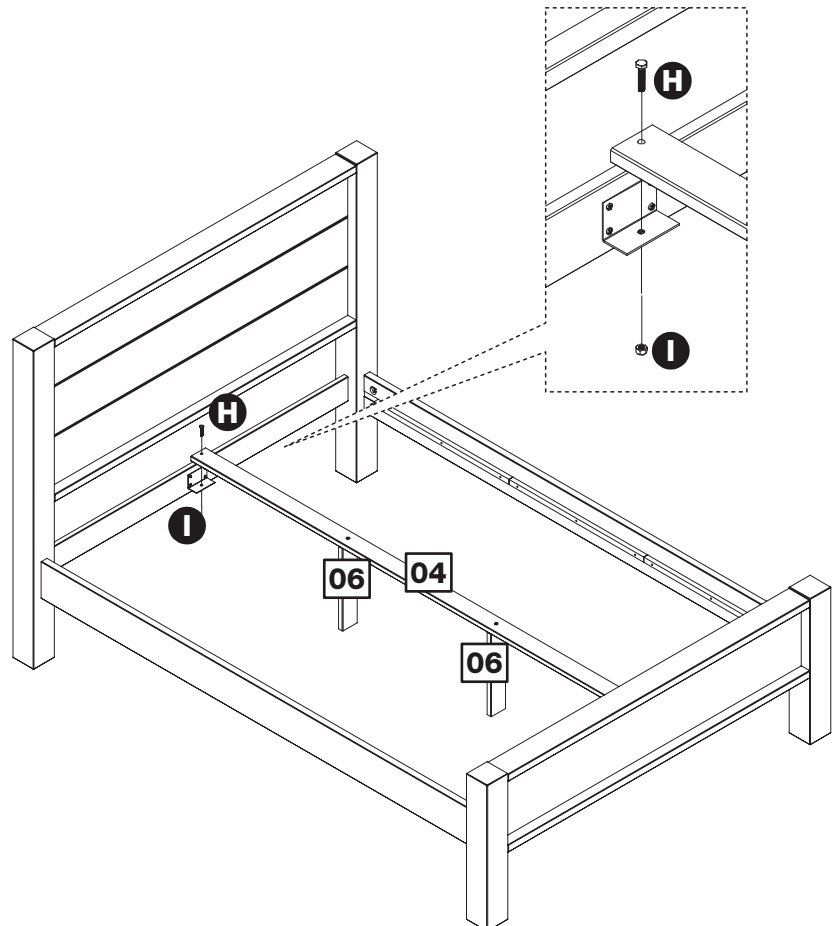
Fix middle support **06** to central rail **04** using bolt **G** and allen key **C** as shown.



## Step 6

### Fixing central rail

Fix central rail **04** to L shaped brackets in headboard using bolts **H** and nut **I** as shown.



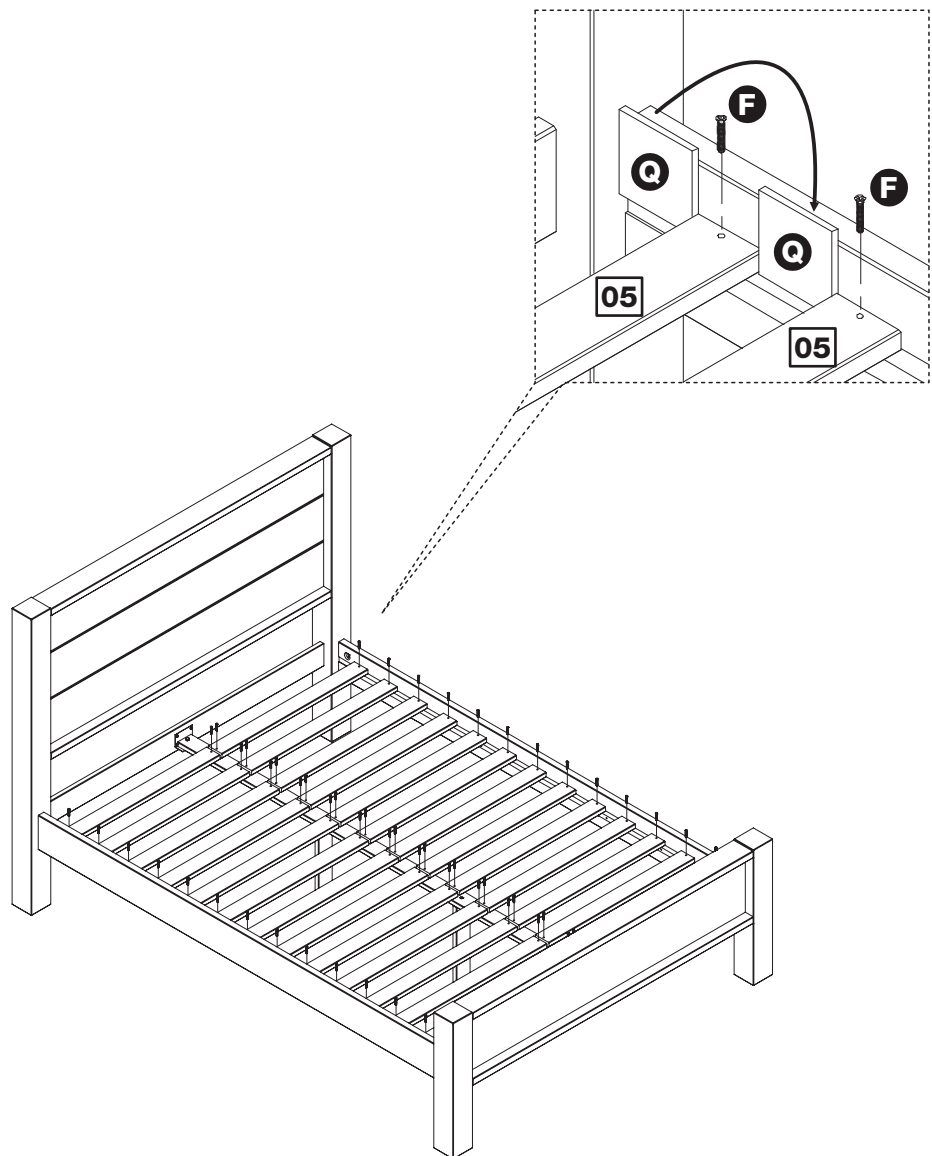
# Assembly Instructions

## Step 7

### Fixing slats

Please fix the first slat **05** at the end of the rail and work towards the middle of the bed using the spacer **Q** as shown to ensure correct spacing.

Fix all the slats to the side rails first using screws **F**. After, fix all the slats to the centre rail.





# Your 3 Year Guarantee

## Peace Of Mind

## Knowing Your Furniture Is Protected

Protection received within the Manufacturer's Guarantee	Optional Added Protection with Furniture Care
Covers you for manufacturing defects for 3 years.	Covers you for <b>accidental damage</b> up to 3 years for incidents such as household spills, rips, tears and burns. Accidental damage cover begins from the moment your plan starts.
In the event of a problem within this time please call <b>0345 640 0800</b> , or visit an Argos store. Please retain your receipt and order number as proof of purchase.	If you want to purchase Furniture Care visit <a href="https://argos.productaftercare.co.uk">https://argos.productaftercare.co.uk</a> or go into an Argos store
Key exclusions applying to both the Manufacturer's Guarantee and Furniture Care include where the fault is due to misuse, abuse, deliberate damage, wear and tear, neglect, use in contravention with the instructions, or if the product has been the subject of unauthorised alterations or commercial use (for full list of exclusions please visit <a href="https://argos.productaftercare.co.uk">https://argos.productaftercare.co.uk</a> or visit an Argos store for more information). You have up to 45 days post purchase to take out Furniture Care. Terms and conditions apply. Your statutory rights remain unaffected.	

## Register

### For Your Manufacturer's Guarantee

Thank you for choosing Argos Home.  
We hope you love your shiny new things!

To provide you with the best possible after sales service, don't forget to visit <https://argos.productaftercare.co.uk> where you can **register** for your guarantee.

Once you've registered, you can upload your receipt to store safely online, alongside details of our after sales support service, ready at hand should you need it.

You can also take out Furniture Care which protects you against accidental damage, from the moment you take the plan out, to keep your new furniture looking newer for longer.

**Register Today**

<https://argos.productaftercare.co.uk>