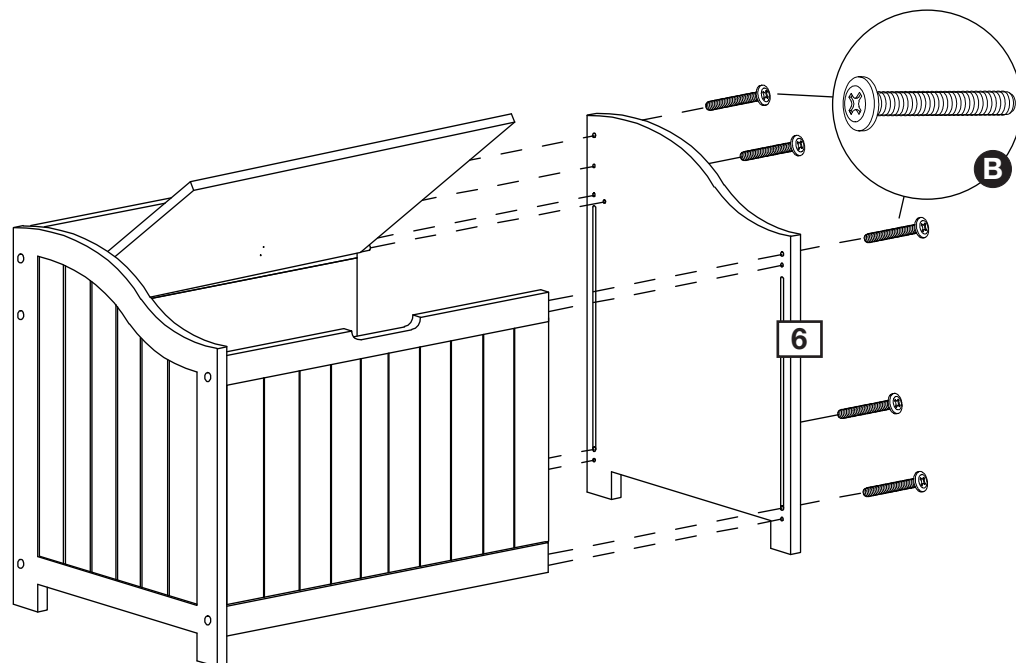


# Assembly Instructions

## Step 12

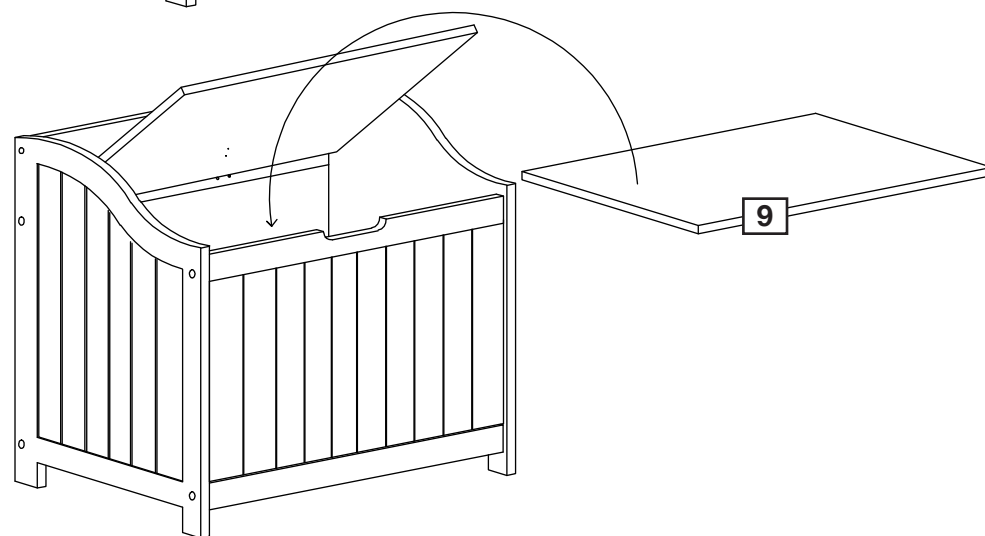
Screw the right side panel **6** the ends of the rails using 5 x 40mm screw **B** as shown.

Ensure that the right-hand hinge of the lid is properly located in its hole in the right side panel.



## Step 13

Drop the base panel **9** onto the bottom rails inside the unit.



## Step 14

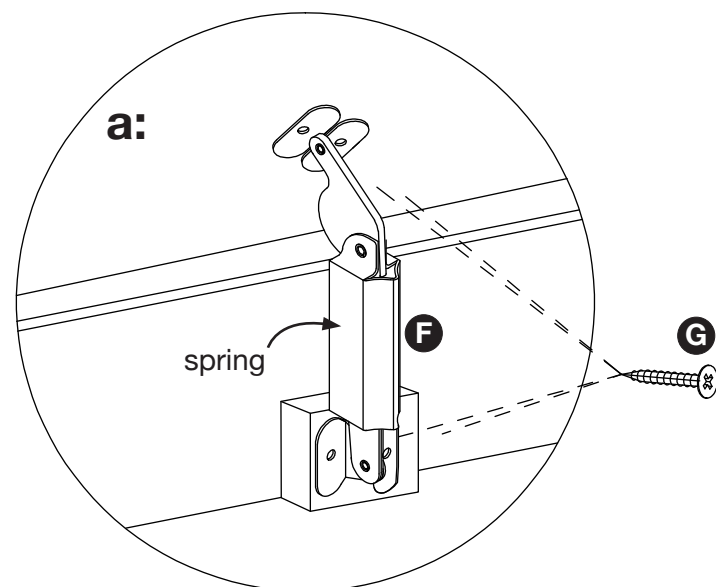
Lift the lid and connect the hinge **F** to the lid and the top back rail as shown using 4 x 12mm screw **G**.



**Important:**  
The hinge must be attached the correct way up.

Please pay attention to diagram **a:** for correct installation.

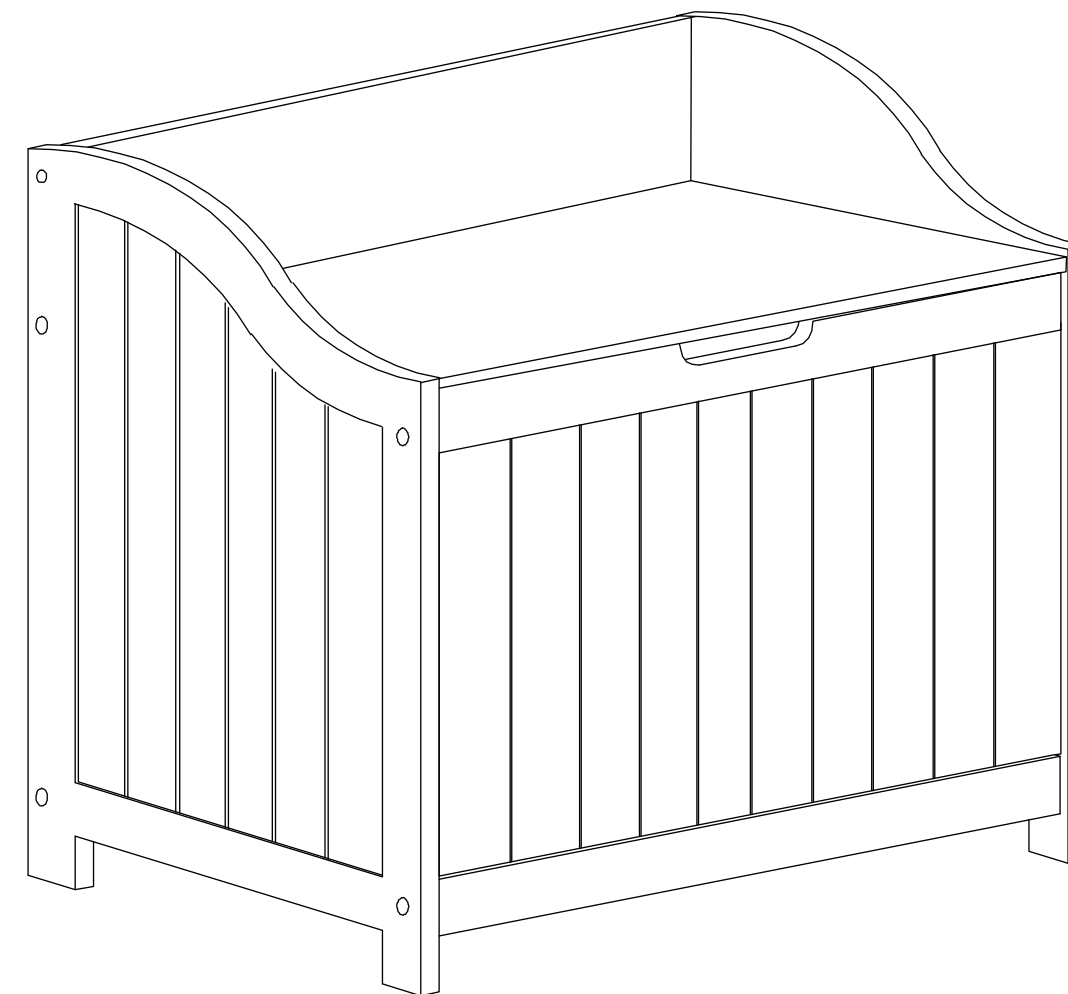
**Assembly complete.**



# Monk's Bench Style Linen Bin

Assembly Instructions- please keep for future reference

832/5299



## Dimensions

Width - 55cm  
Depth - 35cm  
Height - 58cm

**THIS PRODUCT IS NOT  
DESIGNED OR INTENDED  
AS A TOY STORAGE CONTAINER**

**Important** – Please read these instructions fully before starting assembly

If you need help or have damaged or missing parts, call the Customer Helpline: 0845 640 0800

If you need help or have damaged or missing parts, call the Customer Helpline: 0845 640 0800

# ! Safety and Care Advice

## Important – Please read these instructions fully before starting assembly

- Check you have all the components and tools listed on pages 1 and 2.
- Remove all fittings from the plastic bags and separate them into their groups.
- Keep children and animals away from the work area, small parts could choke if swallowed.
- Make sure you have enough space to layout the parts before starting.

- Do not stand or put weight on the product, this could cause damage.
- Assemble the item as close to its final position (in the same room) as possible.
- Assemble on a soft level surface to avoid damaging the unit or your floor.
- Parts of the assembly will be easier with 2 people.



- We do not recommend the use of power drill/drivers **for inserting screws**, as this could damage the unit. Only use hand screwdrivers.

- Dispose of all packaging carefully and responsibly.

## Care and maintenance

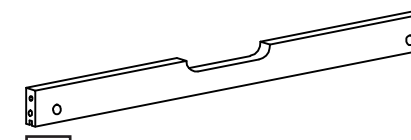
- Only clean using a damp cloth and mild detergent, do not use bleach or abrasive cleaners.

- From time to time check that there are no loose screws on this unit.

- This product should not be discarded with household waste. Take to your local authority waste disposal centre.

# Components - Panels

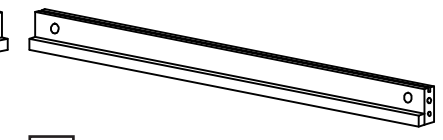
## Please check you have all the panels listed below



**1** Top front rail x 1  
(5(h)cm x 52(w)cm)

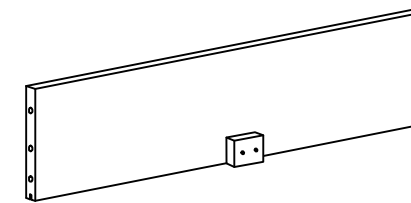


**2** Bottom back rail x 1  
(5(h)cm x 52(w)cm)

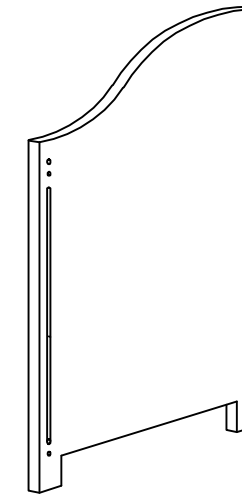


**3** Bottom front rail x 1  
(5(h)cm x 52(w)cm)

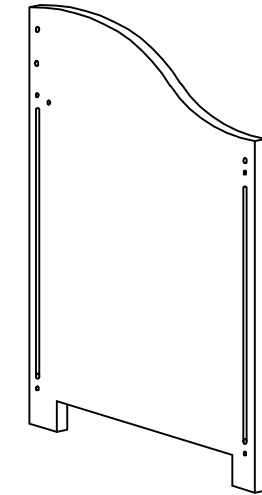
**Note:** this part can be distinguished from part 2 by the wider groove.



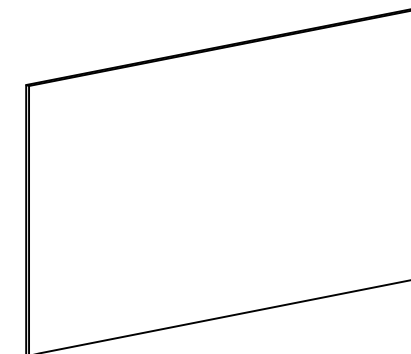
**4** Top back rail x 1  
(18.5(h)cm x 52(w)cm)



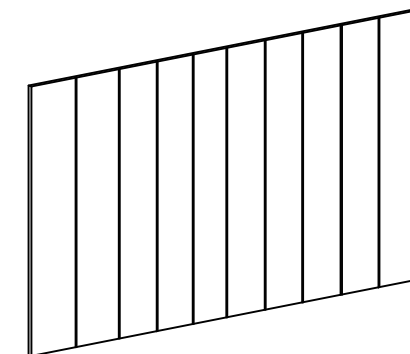
**5** Left side x 1  
(58(h)cm x 35(d)cm)



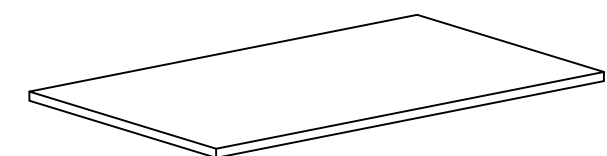
**6** Right side x 1  
(58(h)cm x 35(d)cm)



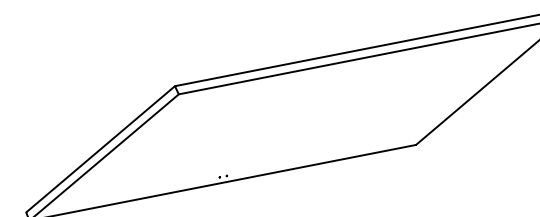
**7** Back panel x 1  
(31(h)cm x 53(w)cm)



**8** Front panel x 1  
(32(h)cm x 53(w)cm)



**9** Base panel x 1  
(51.7(w)cm x 30(d)cm)




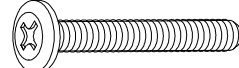


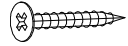
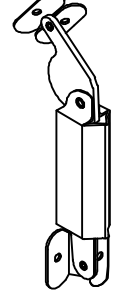
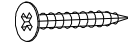
**10** Lid x 1  
(51.7(w)cm x 32.4(d)cm)

# Components - Fittings

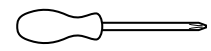
If you have damaged or missing components, call the **Customer Helpline: 0845 640 0800**

Please check you have all the fittings listed below

**Note:** The quantities below are the correct amount to complete the assembly. In some cases more fittings may be supplied than are required.

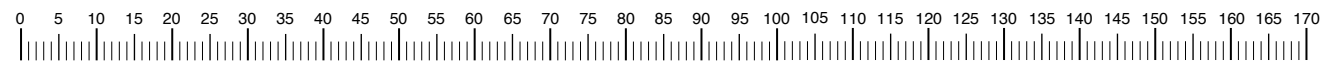
 <p><b>A</b> Connector x 10</p>	 <p><b>B</b> 40mm Screw x 10</p>	 <p><b>C</b> 30mm Wooden dowel x 8</p>	 <p><b>D</b> Hinge x 2</p>
 <p><b>E</b> 3x12mm Screw x 4</p>	 <p><b>F</b> Spring hinge x 1</p>	 <p><b>G</b> 4x12mm Screw x 4</p>	

## Tools required



Phillips screwdriver  
(medium & large)

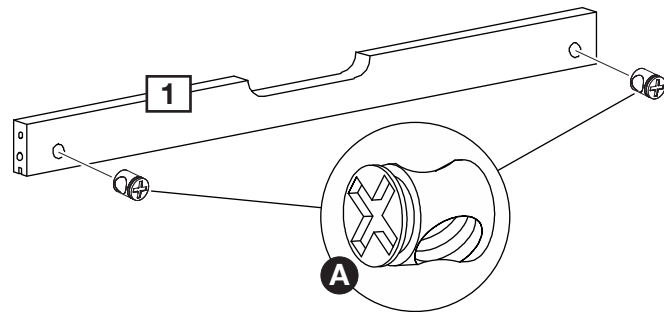
Ruler – Use this ruler to help correctly identify the screws



# Assembly Instructions

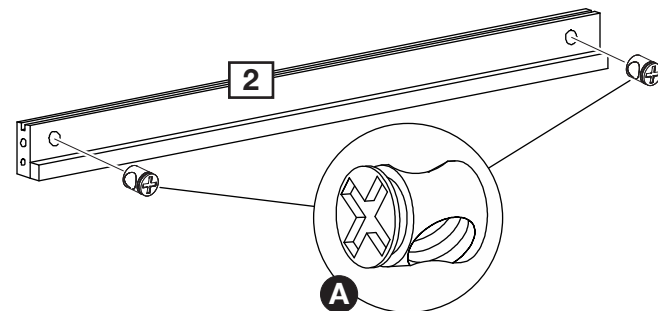
## Step 1

Insert 2 x connector **A** into the holes in the front top rail **1** as shown.



## Step 2

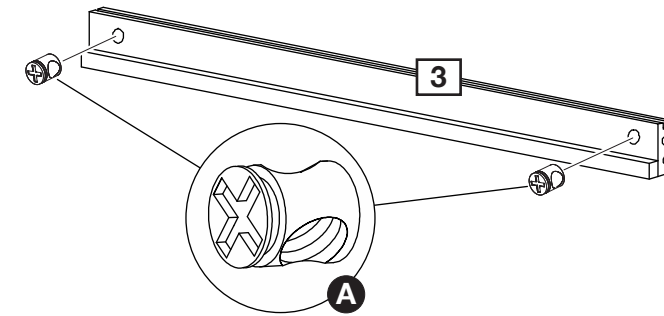
Insert 2 x connector **A** into the holes in the bottom back rail **2** as shown.



# Assembly Instructions

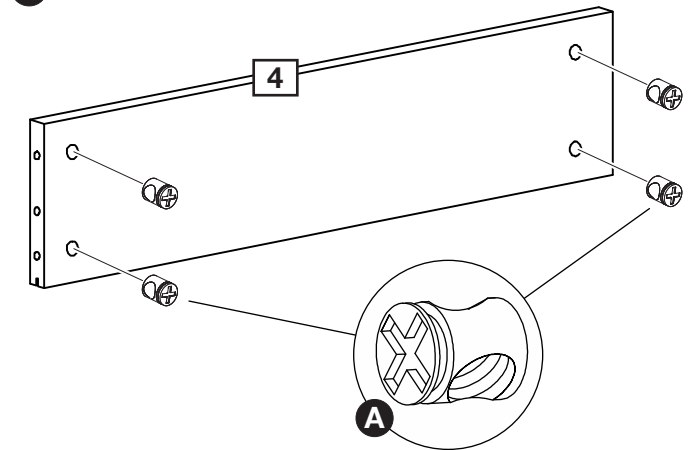
## Step 3

Insert 2 x connector **A** into the holes in the bottom front rail **3** as shown.



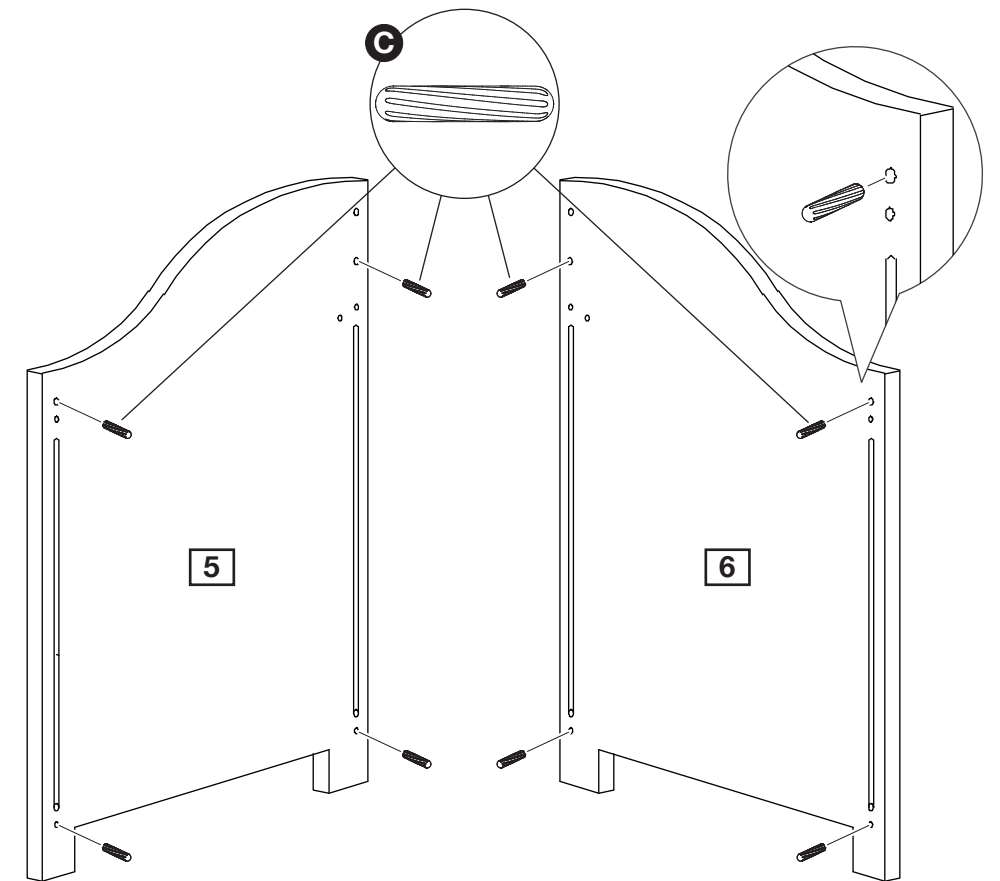
## Step 4

Insert 4 x connector **A** into the holes in the top back rail **4** as shown.



## Step 5

Insert 4 x 30mm dowel **C** into the left side panel **5** and right side panel **6** as shown.



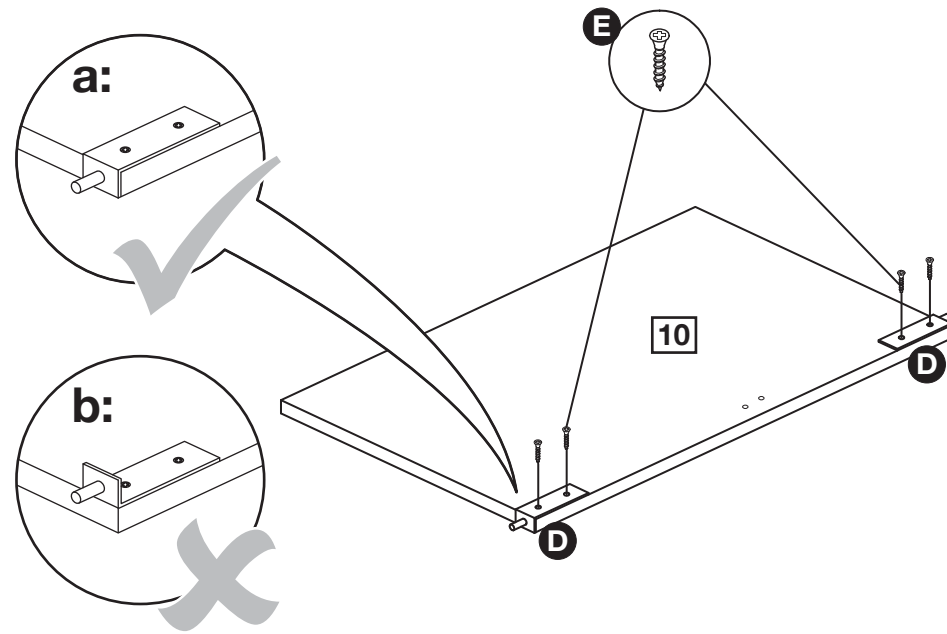
# Assembly Instructions

## Step 6

Screw both the hinges **D** to the lid **10** using 4 x 12mm screw **E**.

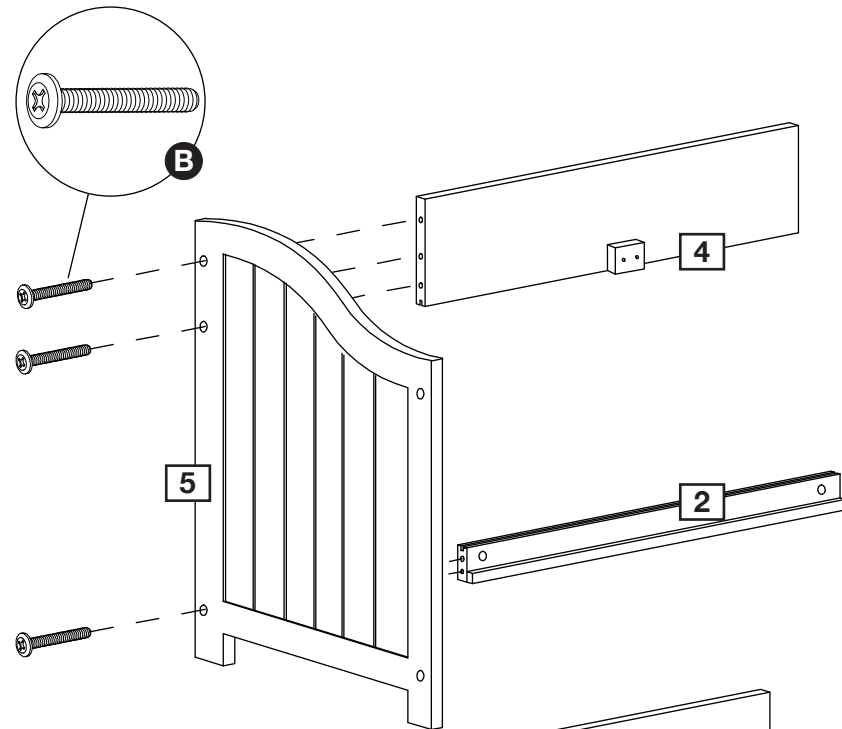
**Important:** the hinge must fit flush to the edge of the lid (**a**). If the hinge post protrudes from the lid as shown (**b**), the lid will not fit the linen bin.

**Important:** when fitting metal hinges to lid, fit both screws **E** before tightening either of them.



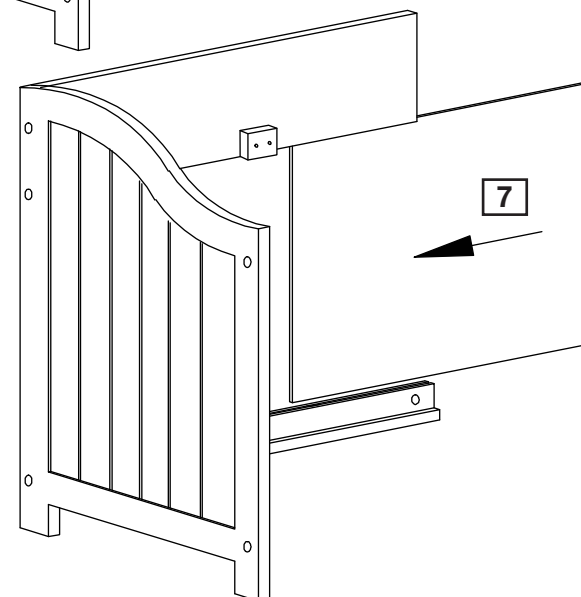
## Step 7

Screw the top back rail **4** and the bottom back rail **2** to the left side panel **5** using 3 x 40mm screw **B**.



## Step 8

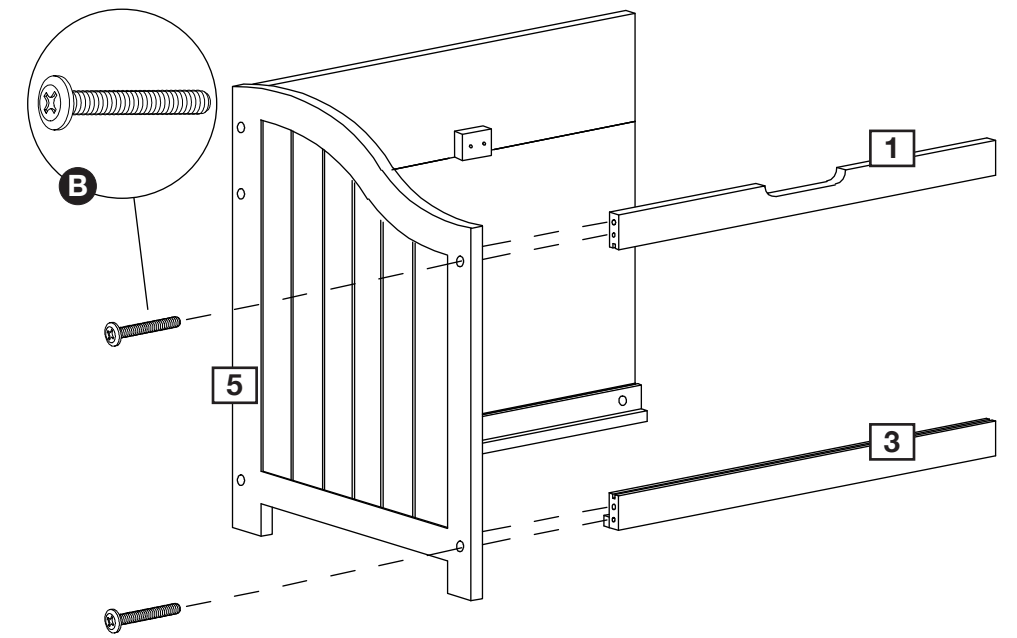
Slide the back panel **7** into the slots of the two back rails.



# Assembly Instructions

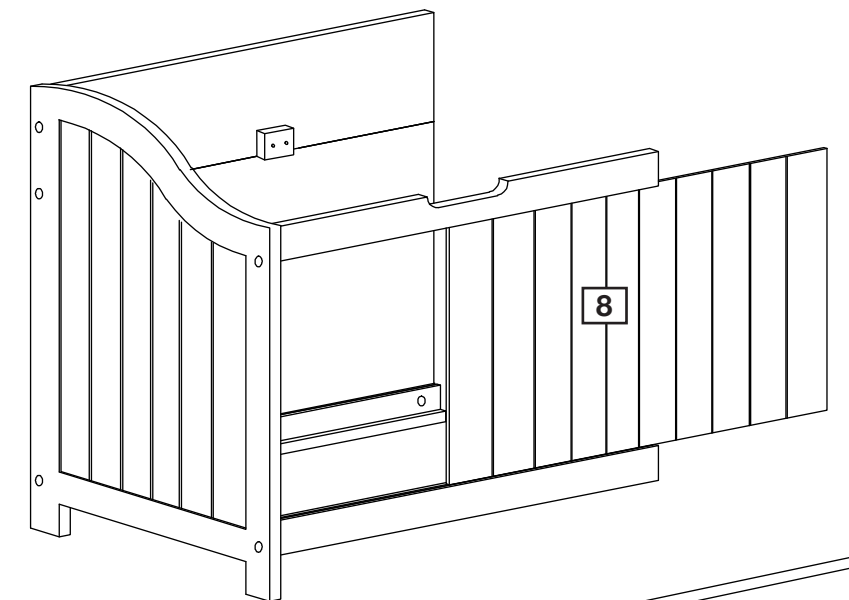
## Step 9

Screw the top front rail **1** and the bottom front rail **3** to the left side panel **5** using 2 x 40mm screw **B**.



## Step 10

Slide the front panel **8** into the slots of the two front rails.



## Step 11

Slot the left-hand hinge of the lid **10** into the hole provided on the inside of the left side panel.

