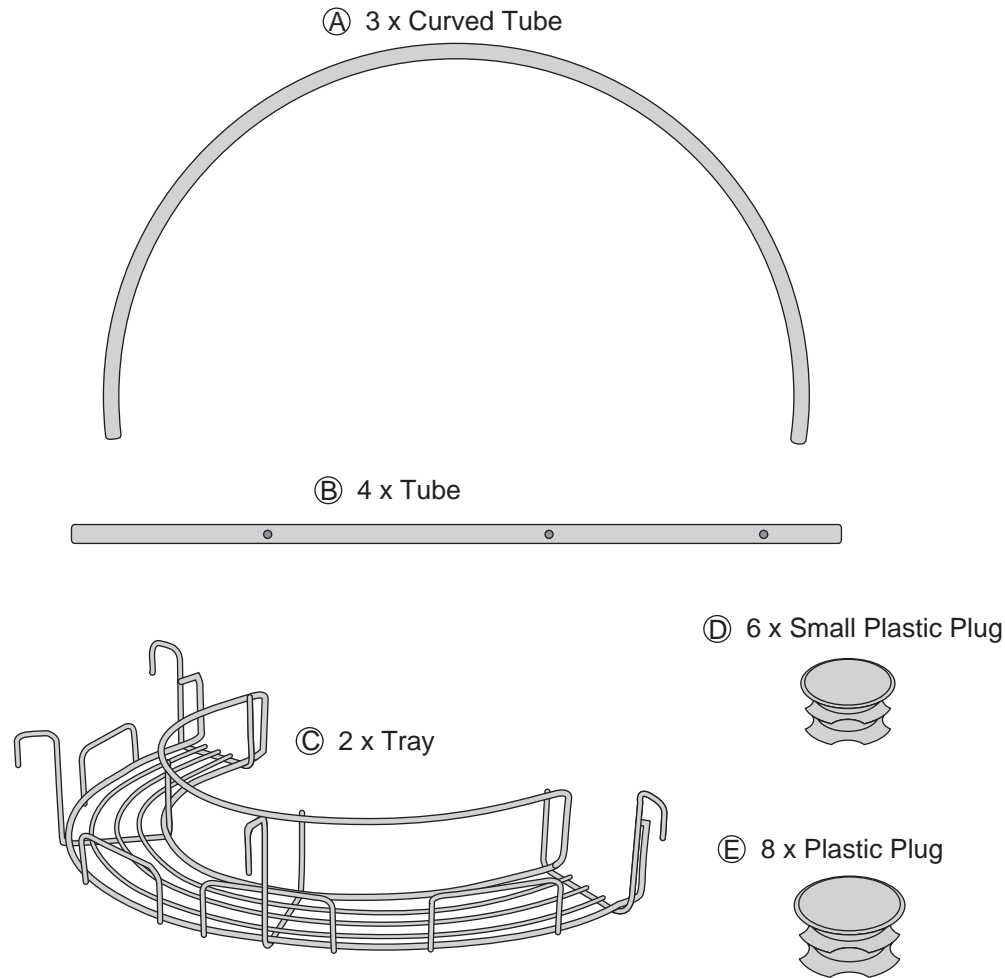
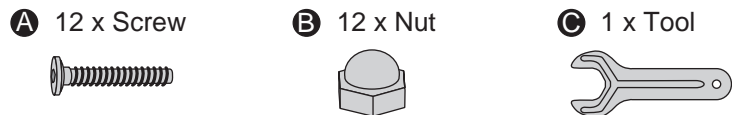


Components



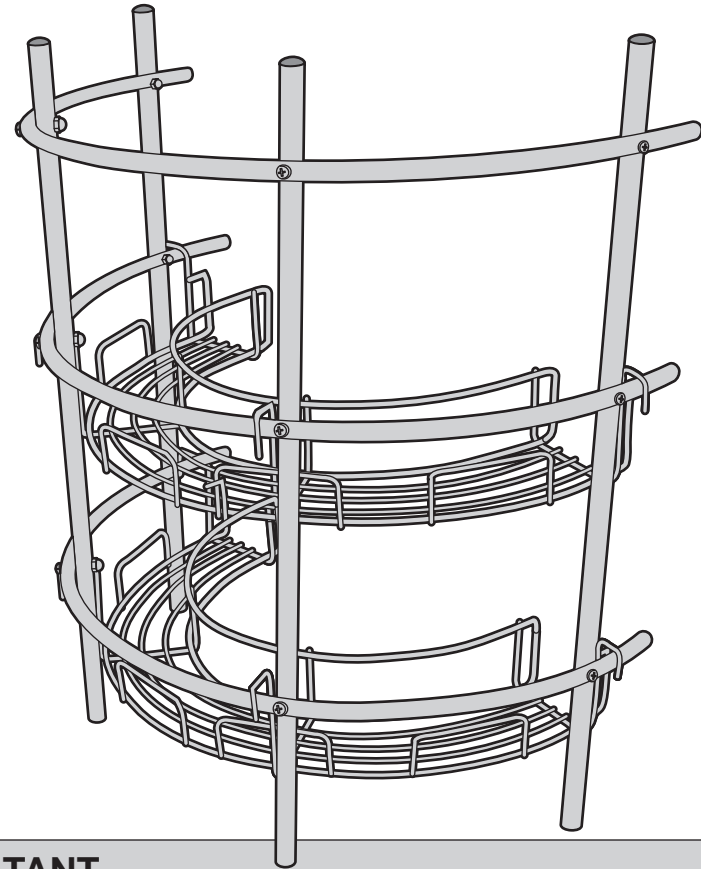
Fittings



3-05

Chrome / White/Brass Under Basin Rack

Simple Assembly Instructions - Please keep for future reference



IMPORTANT

1. Read these instructions carefully and familiarise yourself with the procedure before assembling the unit.
2. Check that you have all the component parts following the list on the back cover and familiarise yourself with each part before proceeding.
3. Take all the fittings out of the plastic bag and separate them into their groups.
4. Ensure you have enough space to lay out all the parts before assembly.
5. To avoid scratching it is recommended that you assemble the unit on a soft level surface.

Assembly Instructions

Stage 1 – Fitting the Unit

NOTE: It would be useful to ask someone to help you at this stage.

1. Use Screws **A** and Nuts **B** to fix Curved Tubes **A** onto Tubes **B**. See fig. 1.

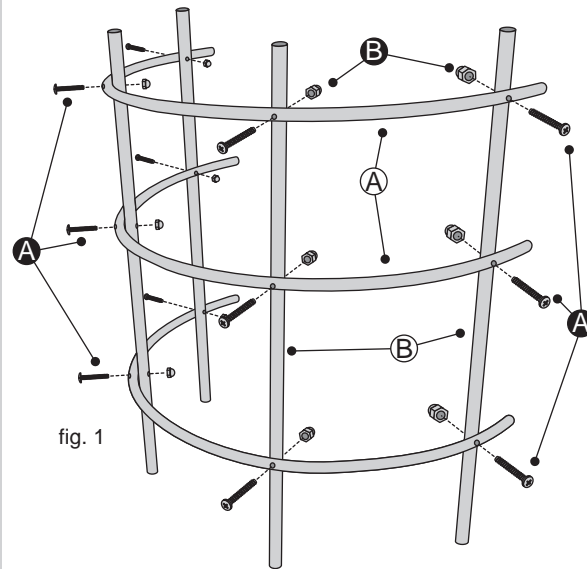


fig. 1

2. Press the Plastic Plugs **E** and Small Plastic Plugs **D** firmly into the ends of the Curved Tubes **A** and Tubes **B**. See fig. 2.

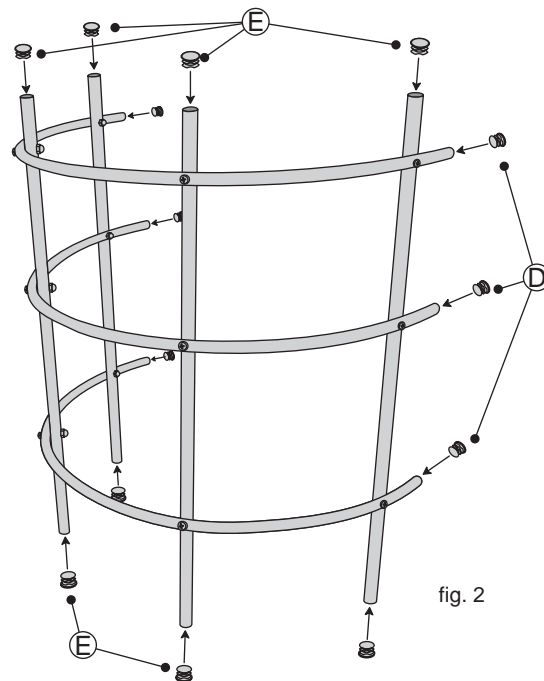


fig. 2

Assembly Instructions

Stage 2 – Finishing the Unit

NOTE: It would be useful to ask someone to help you at this stage.

1. Carefully locate the Trays **C** onto the unit. See fig. 3.

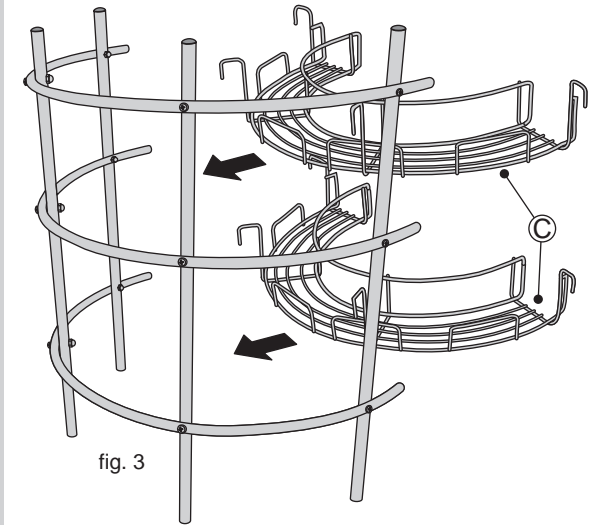


fig. 3

NOTE: Always make sure the unit is secure before use.

2. Carefully place the unit in the desired location. See fig. 4.

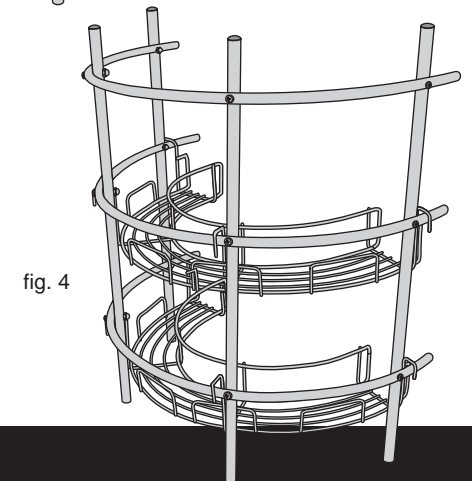


fig. 4

Care and Maintenance

Safety

To avoid any risk of suffocation to animals or children dispose of the plastic bags immediately.

Cleaning

As with all surfaces clean with a damp cloth and mild detergent, do not use bleach or abrasive products.

Fitting

From time to time please ensure there are no loose screws on the product.