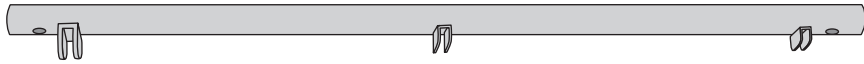
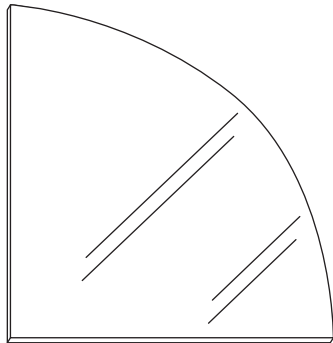


## Components

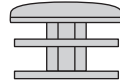
Ⓐ 2 x Support Tube



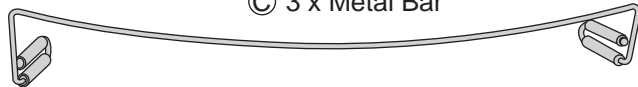
Ⓑ 3 x Glass Shelf



Ⓓ 4 x Plastic Plug



Ⓒ 3 x Metal Bar



## Fittings

Ⓐ 4 x Screw



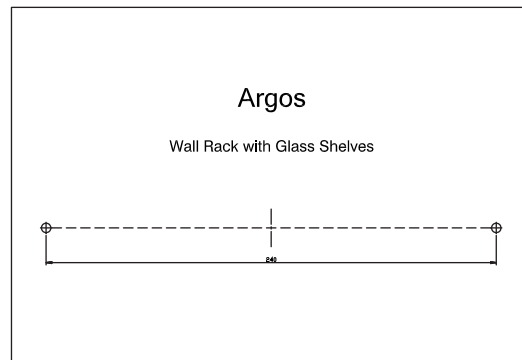
Ⓑ 4 x Wall Plug



Ⓒ 6 x Small Screw

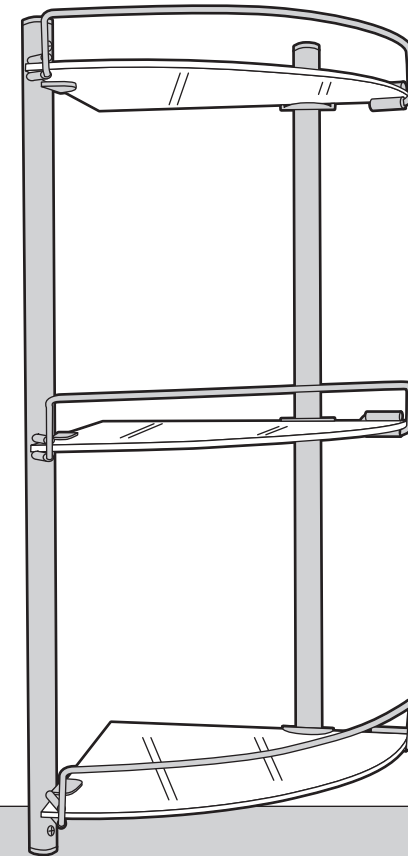


Ⓑ 1 x Fixing Template



# Wall Rack With Glass Shelves

Simple Assembly Instructions - Please keep for future reference



## IMPORTANT

1. Read these instructions carefully and familiarise yourself with the procedure before assembling the unit.
2. Check that you have all the component parts following the list on the back cover and familiarise yourself with each part before proceeding.
3. Take all the fittings out of the plastic bag and separate them into their groups.
4. Ensure you have enough space to lay out all the parts before assembly.
5. To avoid scratching it is recommended that you assemble the unit on a soft level surface.

# Assembly Instructions

## Stage 1 – Fitting the Support Tubes



### IMPORTANT:

Keep these instruction for future use.

**WALL MOUNTING:** Hold the Fixing Temple **D** against the wall in the desired location and check if it is horizontal. Mark the wall to indicate where to drill the holes.

See fig. 1.

**IMPORTANT:** When drilling into walls always check that there are no hidden wires or pipes etc. Make sure that the screws and wall plugs supplied are suitable for supporting the unit. Consult a qualified tradesperson if you are not sure.

**NOTE:** It would be useful to ask someone to help you at this stage.

1. Use the Wall Plug **B** to fit to the hole. Then screw in the Screws **A** through the Support Tube **A** into the Wall Plugs.

See fig. 3.

2. Use the same method as in fig 1 and 2 to fix the other Support Tube **A**.

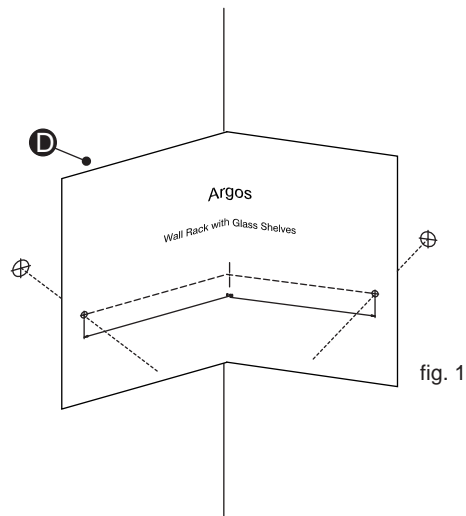


fig. 1

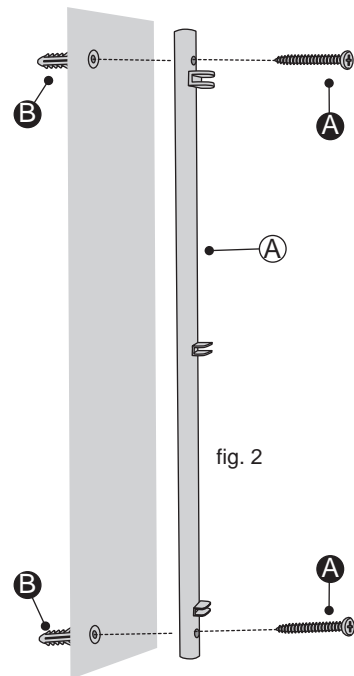


fig. 2

# Assembly Instructions

## Stage 2 – Fitting the Glass Shelves

BS 7449:1991

Model / Catalogue Number: 832/2292

Retailer: ARG

Retailer address:

489-499 Avebury Boulevard, Saxon Gate West, Central Milton Keynes, Bucks, MK9 2NW



**NOTE:** This unit contains tempered glass of nominal thickness of 5mm and complies with Class C of BS 6206. If the glass is chipped or broken, replace with glass of the type described on this label. Consult the furniture retailer or agent with regard to obtaining a manufacturing specification of the shape for replacement glass quoting the model number, and batch number or date of manufacture of this item.

**NOTE:** It would be useful to ask someone to help you at this stage.

1. Use Metal Bars **C** to hold the Glass Shelves **B**.  
See fig. 4.



**CAUTION:** When handling glass always take extra care. Ensure no children are in the assembly area.

2. Use Small Screws **C** to fix the Glass Shelves **B** onto the unit.  
See fig. 3.

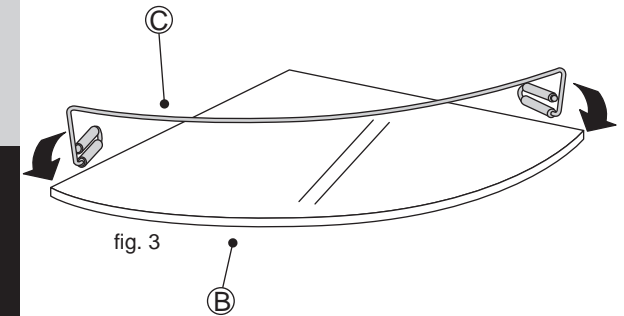


fig. 3

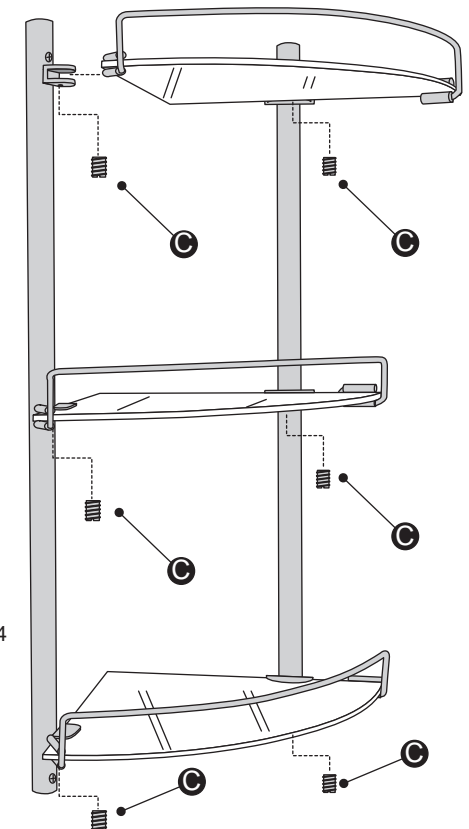


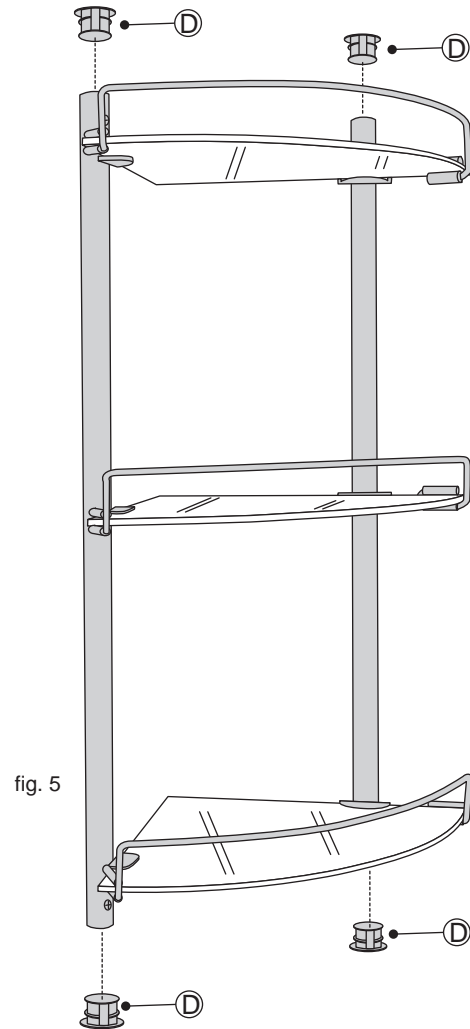
fig. 4

# Assembly Instructions

## Stage 3 – Fitting the Plastic Plugs

1. Press the Plastic Plugs **D** firmly into the ends of the Support Tubes **A**.  
See fig. 5.

**NOTE:** Before use always make sure the unit is secure.



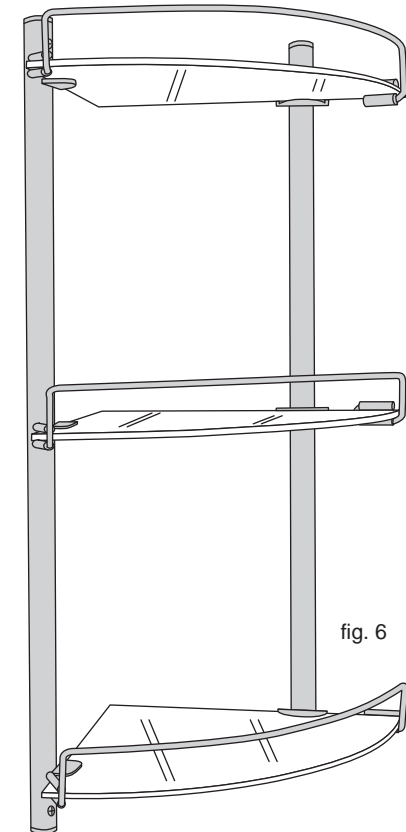
# Assembly Instructions

## Stage 4 – Finishing the Unit

**NOTE:** The maximum safe load for each shelf is 3kg evenly distributed along the length of the shelf.

**WARNING:**

- Do not place very hot or very cold items on the glass surface(s) unless adequately thick tablemats are used to prevent such items from coming into contact with the glass.
- Do not strike the glass with hard or pointed items.
- When cleaning the glass panels use a damp cloth or leather with washing up liquid or soft soap if necessary; do not use washing powders or any other substances containing abrasives since these substance scratch glass.
- Do not sit or stand upon the glass surface.
- It is essential that this unit be fixed to a wall with the fixing provided.



## Care and Maintenance

### Safety

To avoid any risk of suffocation to animals or children dispose of the plastic bags immediately.

### Cleaning

As with all surfaces clean with a damp cloth and mild detergent, do not use bleach or abrasive products.

### Fitting

From time to time please ensure there are no loose screws on the product.