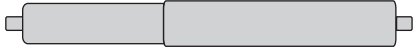


Components

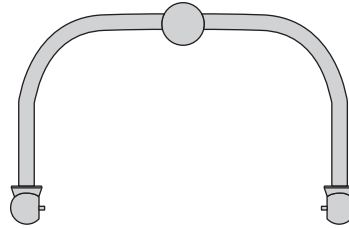
Ⓐ 1 x Tube



Ⓑ 1 x Roll Holder

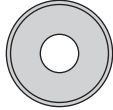
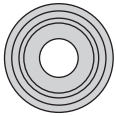


Ⓒ 1 x Roll Support

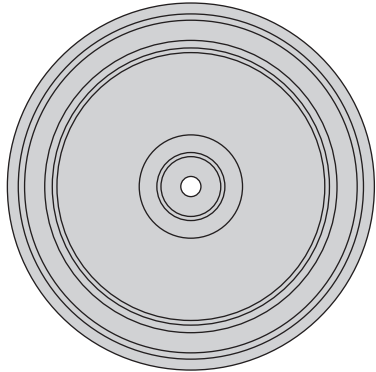


Ⓓ 1 x Top Ring

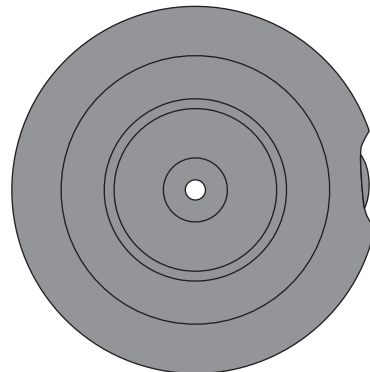
Ⓔ 1 x Bottom Ring



Ⓕ 1 x Bottom Plate



Ⓖ 1 x Base



Fittings

Ⓐ 1 x Screw



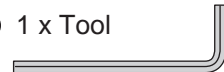
Ⓑ 1 x Thread Screw



Ⓒ 1 x Washer

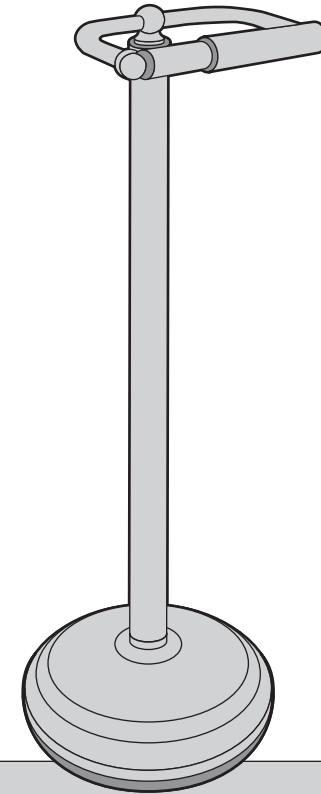


Ⓓ 1 x Tool



Chrome Free Standing Toilet Roll Holder

Simple Assembly Instructions - Please keep for future reference



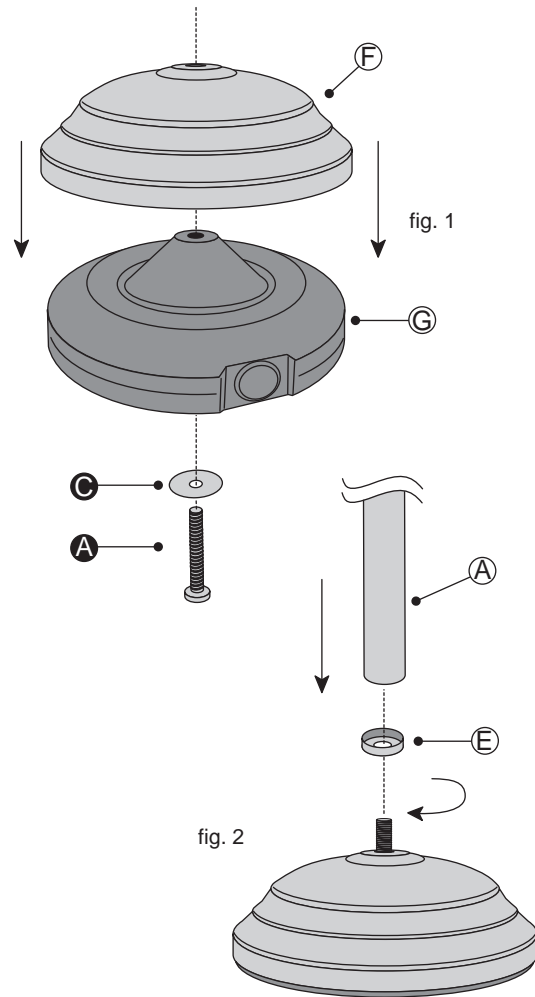
IMPORTANT

1. Read these instructions carefully and familiarise yourself with the procedure before assembling the unit.
2. Check that you have all the component parts following the list on the back cover and familiarise yourself with each part before proceeding.
3. Take all the fittings out of the plastic bag and separate them into their groups.
4. Ensure you have enough space to lay out all the parts before assembly.
5. To avoid scratching it is recommended that you assemble the unit on a soft level surface.

Assembly Instructions

Stage 1 – Fitting The Base

1. Use the Screw **A** and Washer **C** to fix the Base **G** into the Bottom Plate **F**.
See fig. 1.



2. Place the Bottom Ring **E** on the unit. Then screw in the Tube **A**.
See fig. 2.

3. Place the Roll Holder **B** into the Roll Support **C**.
See fig. 3.

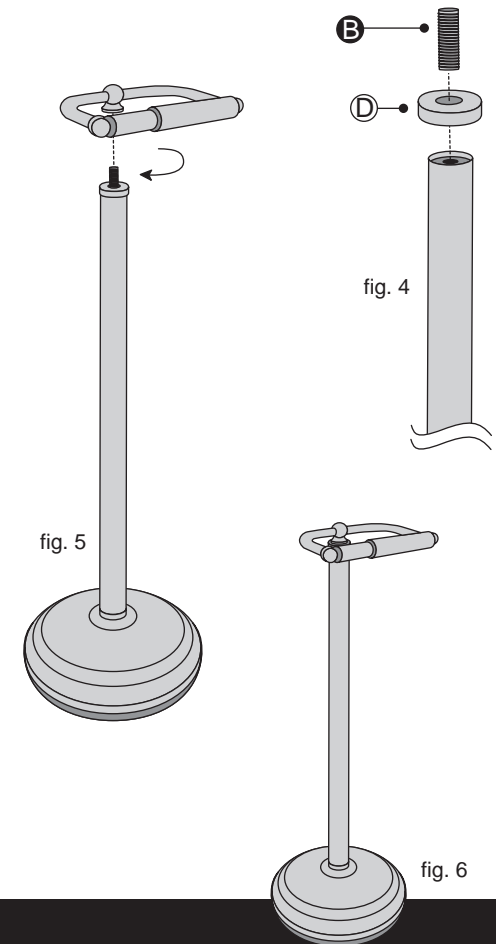
Assembly Instructions

Stage 2 – Finishing The Unit

1. Place the Top Ring **D** on the top of the Tube. Then screw in the Thread Screw **B**.
See fig. 4 .

2. Screw the Roll Support in the unit.
See fig. 5.

3. Finally carefully place the unit in the desired location.
See fig. 6.



Care and Maintenance

Safety

To avoid any risk of suffocation to animals or children dispose of the plastic bags immediately.

Cleaning

As with all surfaces clean with a damp cloth and mild detergent, do not use bleach or abrasive products.

Fitting

From time to time please ensure there are no loose screws on the product.