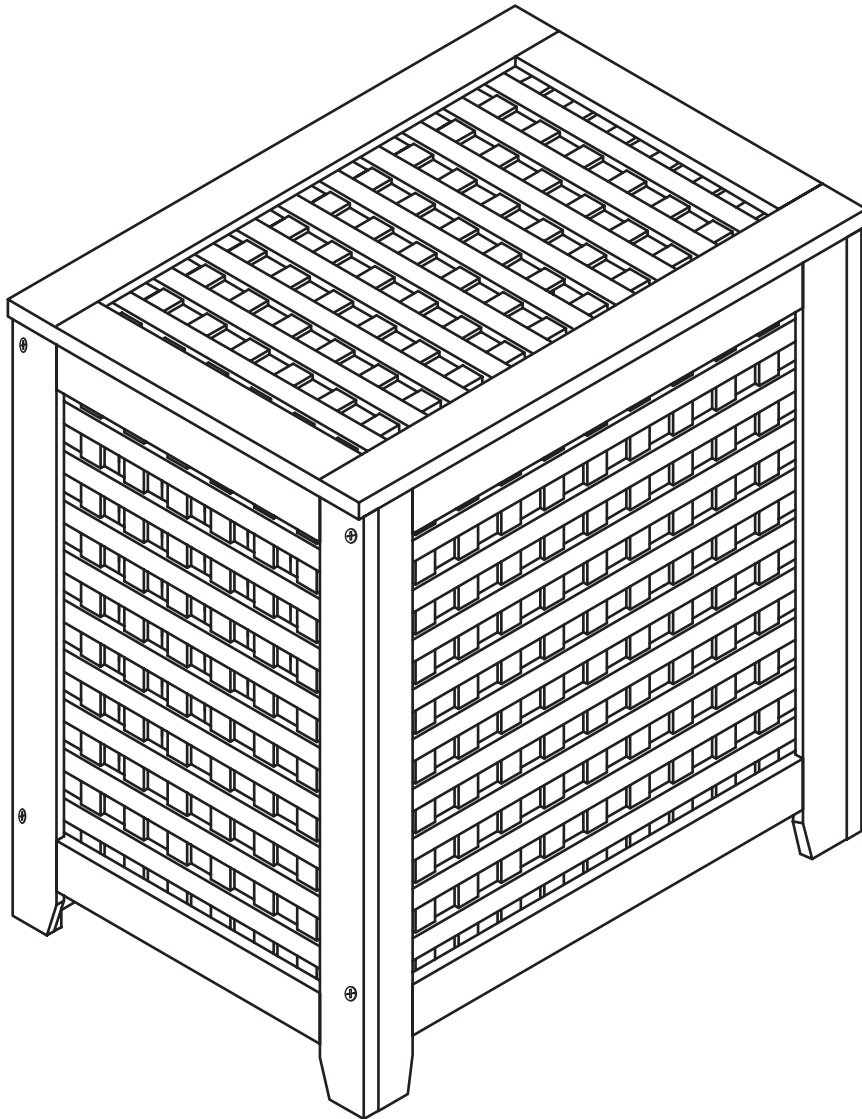


Living Solid Wood Storage Bin

Assembly Instructions - Please keep for future reference

831/8471



Dimensions

Width - 52cm

Depth - 36cm

Height - 55cm

Important - Please read these instructions fully before starting assembly



Safety and Care Advice

Important - Please read these instructions fully before starting assembly

- Check you have all the components and tools listed on page 2.

- Remove all components and fittings from the packaging and separate them into their groups.

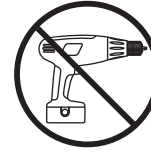
- Keep children and animals away from the work area, small parts could choke if swallowed.

- Parts of the assembly will be easier with 2 people.

- Do not stand or put weight on the product, this could cause damage.

- Assemble on a soft level surface to avoid damaging the unit or your floor.

- Make sure you have enough space to layout the parts before starting.



- We do not recommend the use of power drill/drivers **for inserting screws**, as this could damage the unit. Only use hand screwdrivers.

- Dispose of all packaging carefully and responsibly.

Care and maintenance

- Only clean using a damp cloth and mild detergent, do not use bleach or abrasive cleaners.

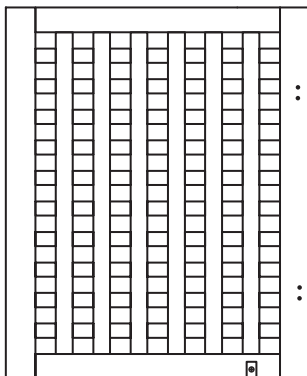
- From time to time check that there are no loose screws on this unit.

- This product should not be discarded with household waste. Take to your local authority waste disposal centre.

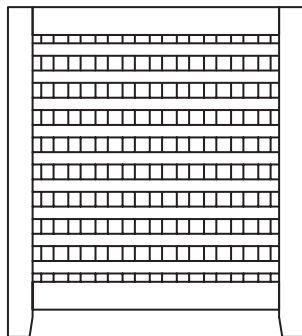
Components

Please check you have all the components listed below

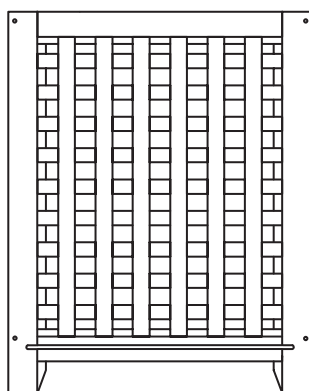
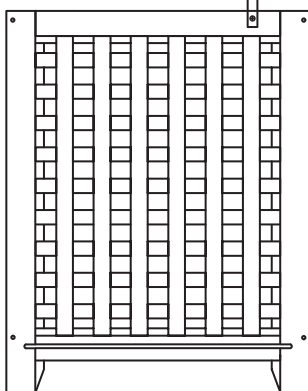
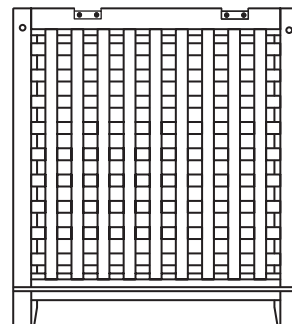
1 Lid (52 x 36cm)



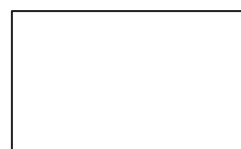
2 Front panel (48 x 53cm)



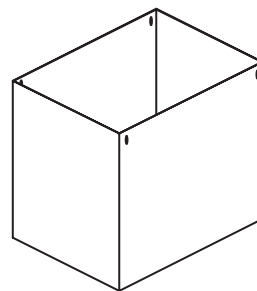
3 Back panel (48 x 53cm)



6 Bottom panel (49 x 33cm)



7 Canvas bag (47 x 30cm)



4 Left side panel (36 x 53cm)

5 Right side panel (36 x 53cm)

Components - Fittings

Please check you have all the fittings listed below



35mm Screw x 8

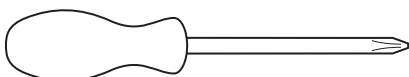


11.8mm Screw x 4



Wooden hanging x 4

Tools required



Phillips screwdriver (small & medium)

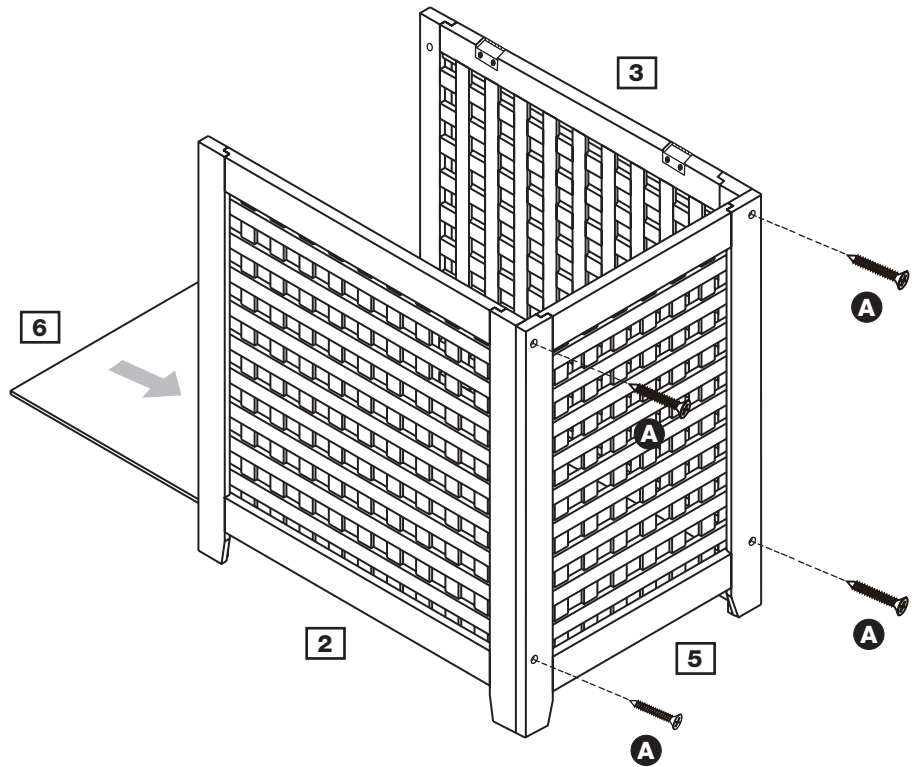
Assembly Instructions

Step 1

Fitting the panel

Two people are needed here.

Attach Front Panel **2**, Back Panel **3** and Right Side Panel **5** together with Screws **A**, then insert the Bottom Panel **6** into the slots on the unit firmly.

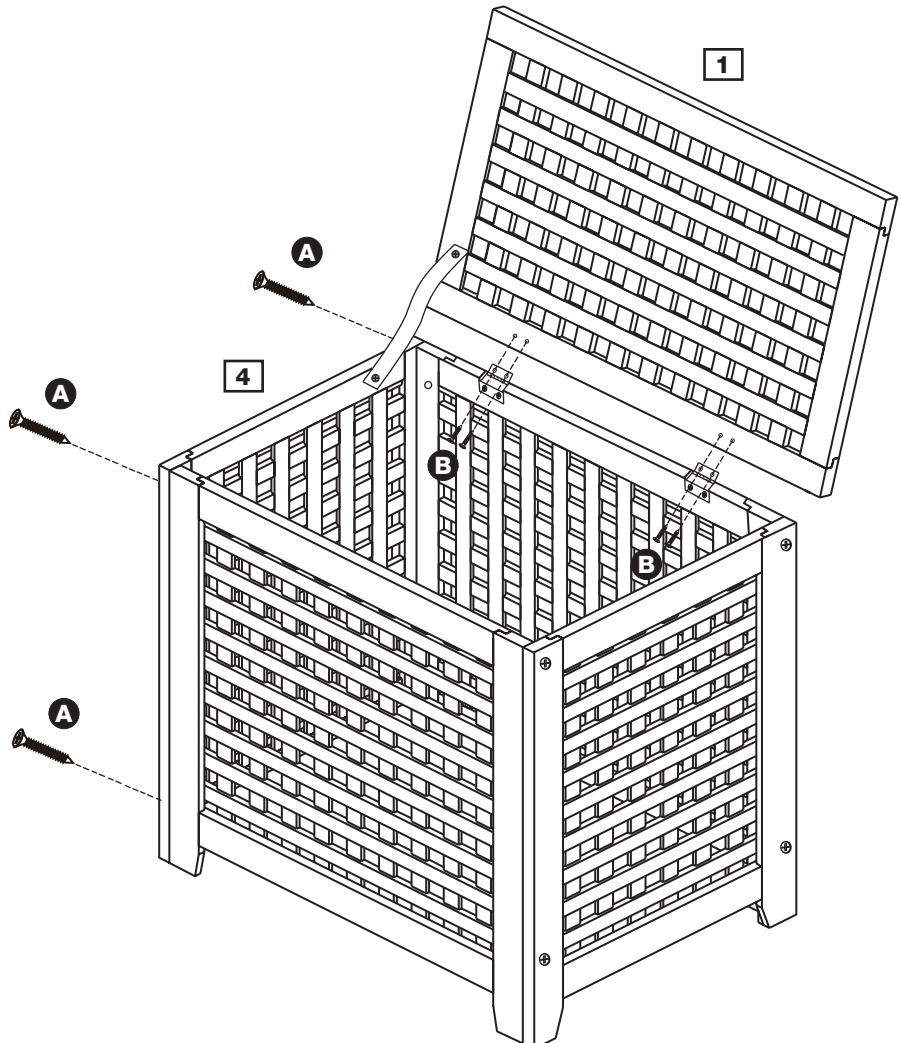


Step 2

Fitting the panel

Two people are needed here.

Attach Left Side Panel **4** to the unit with Screws **A**, then screw Lid **1** onto the back panel with Screws **B**.



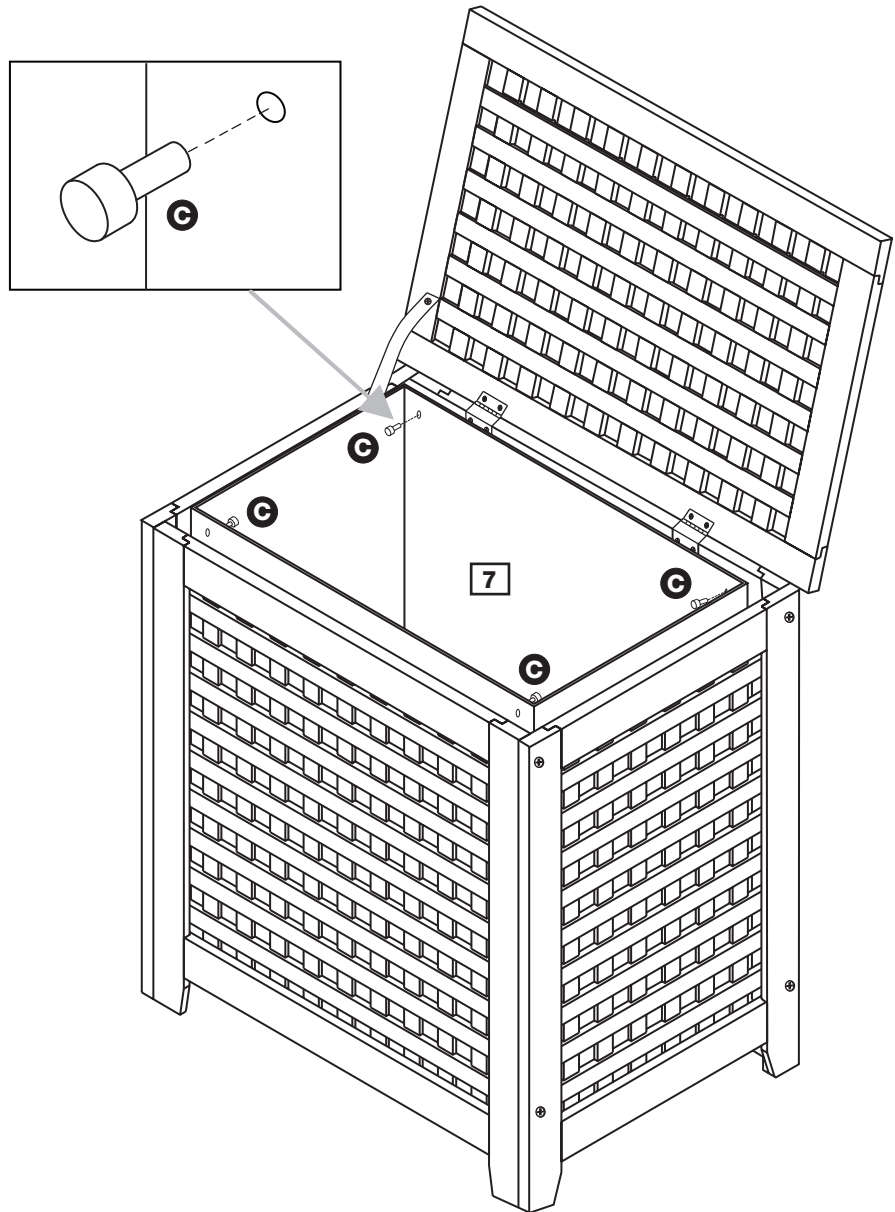
Assembly Instructions

Step 3

Fitting the bag

Place Canvas Bag **7** into the unit, then insert Wooden Hangings **C** to fix the bag firmly with the unit.

Carefully place the finished unit into the desired location, then it is ready for you to use.



Assembly is complete.