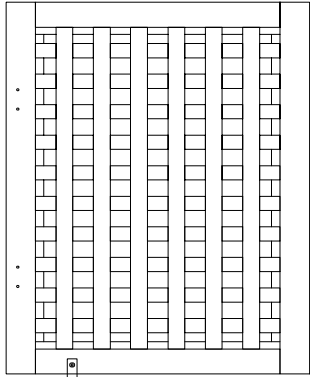


Component Parts

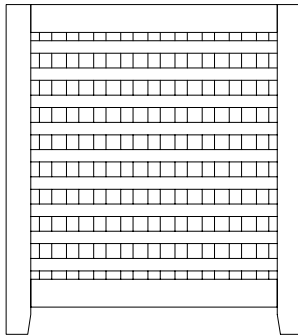
Solid Wood Linen Bin

Simple Assembly Instruction - Please keep for future reference

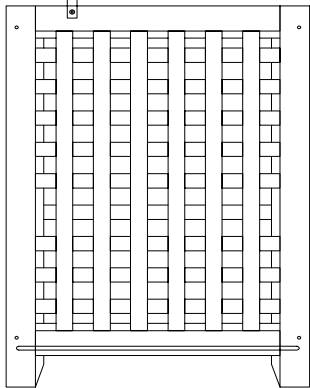
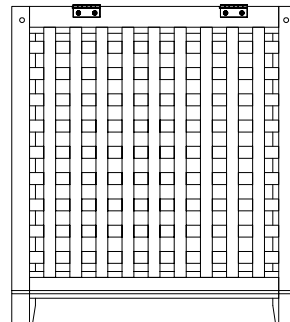
A. Lid x 1



B. Front panel x 1

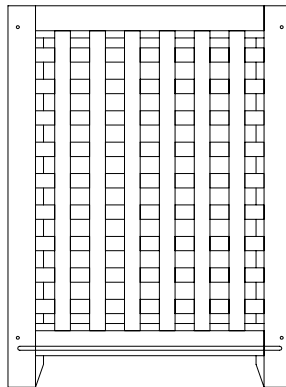


C. Back panel x 1



D. Left side panel x 1

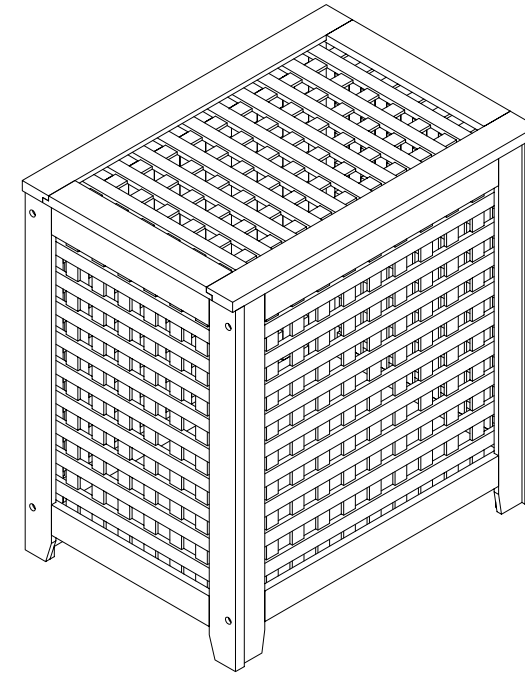
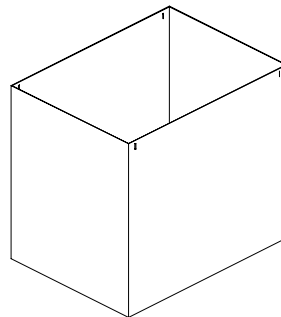
E. Right side panel x 1



F. Bottom panel x 1



G. Canvas bag x 1



IMPORTANT

1. Read these instructions carefully and familiarise yourself with the procedure before assembling the unit.

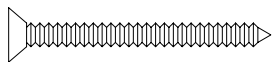
2. Check that you have all component parts and fittings required these are listed on the back of this guide.

3. Take all the fitting out of the plastic bag and separate them into their groups.

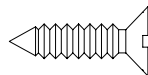
4. Ensure you have enough space to lay out all the parts before assembly

5. To avoid scratching it is recommended that you assemble the unit on a soft level surface.

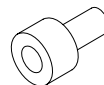
Fittings



H. Assembly screw x 8



I. Hinge screw x 4



J. Wooden hanging x 4

Assembly Instructions

Stage 1 - Fitting the panel

1. Attach front panel (B) / back panel (C) / right side panel (E) with assembly screw (H). Insert the bottom panel (F) into the unit . (see fig 1.)

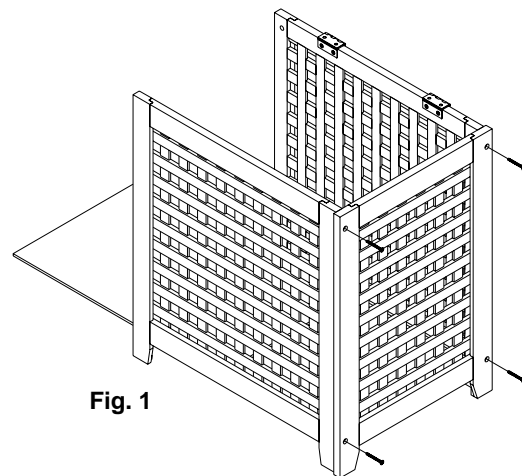


Fig. 1

2. Attach left side(D) to the unit with assembly screw (H) , Screw the back panel onto the lid (A) with screws (I) (see fig 2)

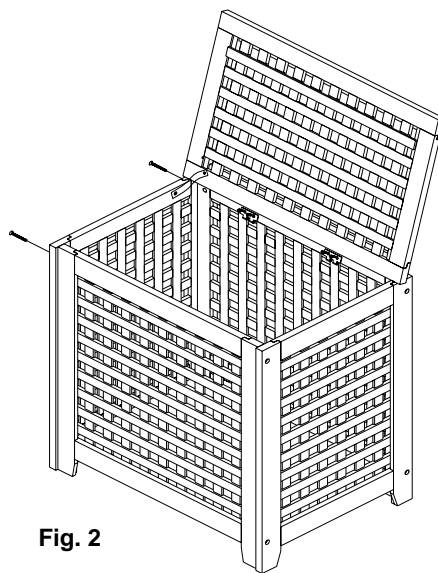


Fig. 2

Assembly Instructions

Stage 2 - Fitting the Unit

3. Place canvas bag (G) into the unit . And then insert the wooden hanging (J). (see fig 3.)

4. Carefully place the unit into the desired location after it is assembled.

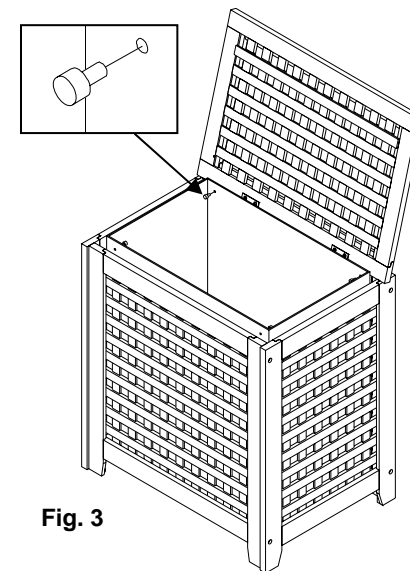


Fig. 3

Care and Maintenance

SAFETY

To avoid any risk of suffocation to animals or children dispose of the plastic bags immediately.

CLEANING

As with all surfaces clean with a damp cloth and mild detergent , do not use bleach or abrasive products.

FITTING

From time to time please ensure there are no loose screws on the product.