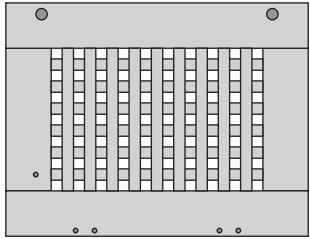
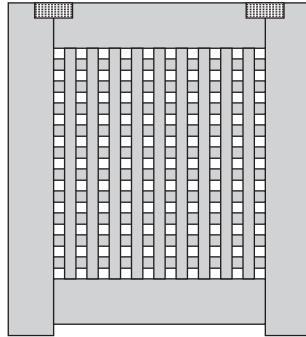


Components

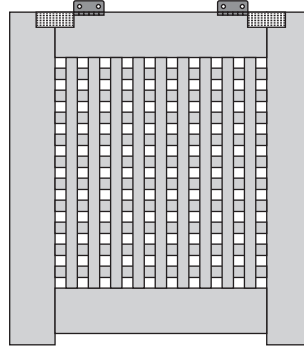
Ⓐ 1 x Lid



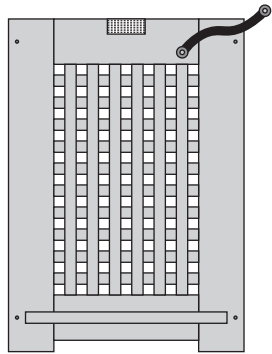
Ⓑ 1 x Front Panel



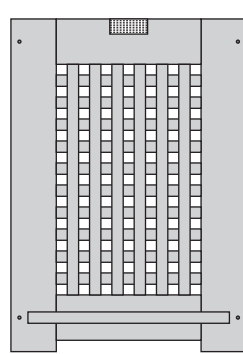
Ⓒ 1 x Back Panel



Ⓓ 1 x Left Side Panel



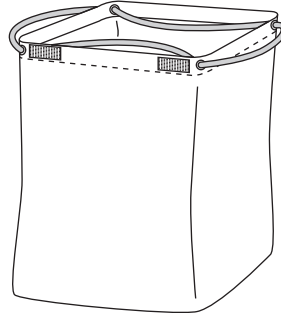
Ⓔ 1 x Right Side Panel



Ⓕ 1 x Bottom Panel

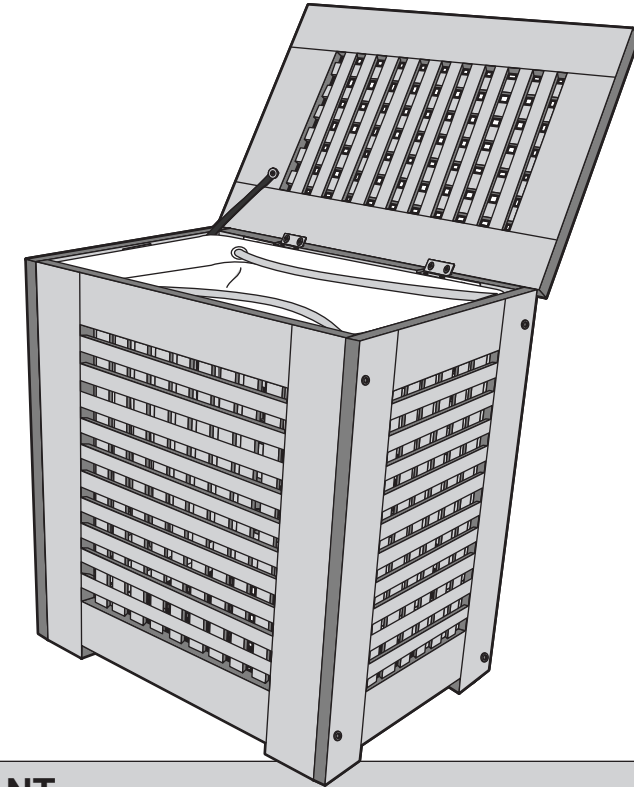


Ⓖ 1 x Canvas Bag



Solid Wood Storage Box

Simple Assembly Instructions - Please keep for future reference



Fittings

Ⓐ 8 x Long Screw



Ⓑ 4 x Screw



Ⓒ 1 x Tool



IMPORTANT

1. Read these instructions carefully and familiarise yourself with the procedure before assembling the unit.
2. Check that you have all the component parts following the list on the back cover and familiarise yourself with each part before proceeding.
3. Take all the fittings out of the plastic bag and separate them into their groups.
4. Ensure you have enough space to lay out all the parts before assembly.
5. To avoid scratching it is recommended that you assemble the unit on a soft level surface.

Assembly Instructions

Stage 1 – Fitting the Panel

1. Use Screws **A** to fix Left Side Panel **D** and Right Side Panel **E** onto Front Panel **B** and Back Panel **C**.
See fig. 1.

NOTE: Ensure all the Panels face inwards.

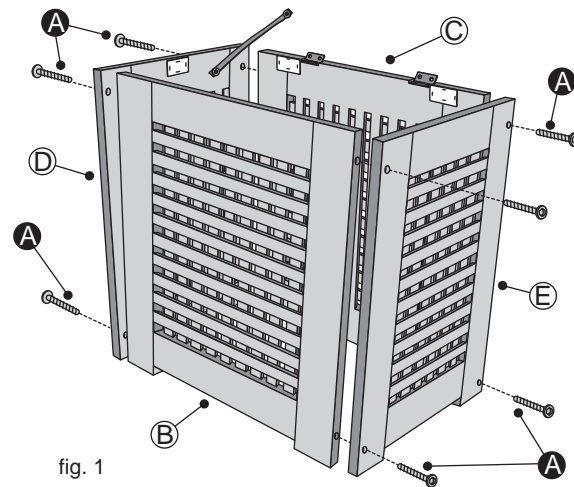


fig. 1

2. Screw the Hinges attached to the Back Panel onto Lid **A** with Screws **B**. Then fix the Nylon Strap by screwing the loose end onto the Lid **A**.
See fig. 2.

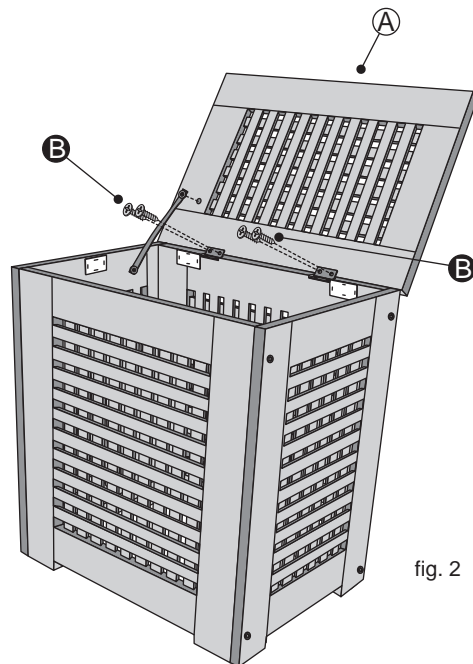


fig. 2

Assembly Instructions

Stage 2 – Finishing the Unit

1. Carefully place Bottom Panel **F** into the unit.
2. Place Canvas Bag **G** into the unit. Fix the position with the velcro tape attached.
See fig. 3.
3. Now carefully place the unit in the desired location.
See fig. 4.

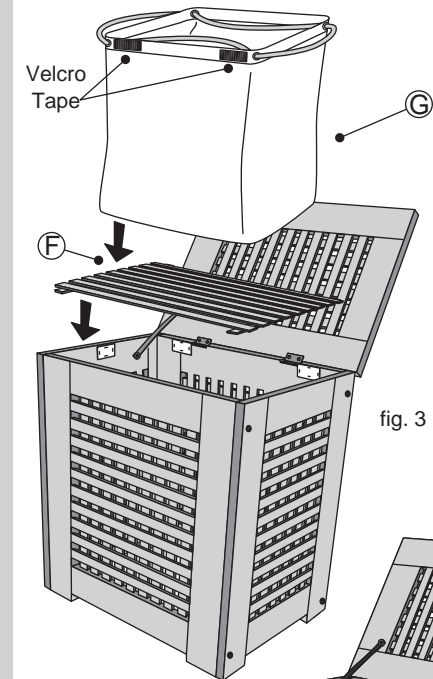
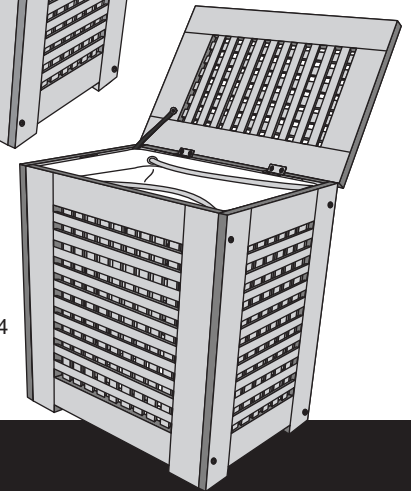


fig. 3

fig. 4



Care and Maintenance

Safety

To avoid any risk of suffocation to animals or children dispose of the plastic bags immediately.

Cleaning

As with all surfaces clean with a damp cloth and mild detergent, do not use bleach or abrasive products.

Fitting

From time to time please ensure there are no loose screws on the product.