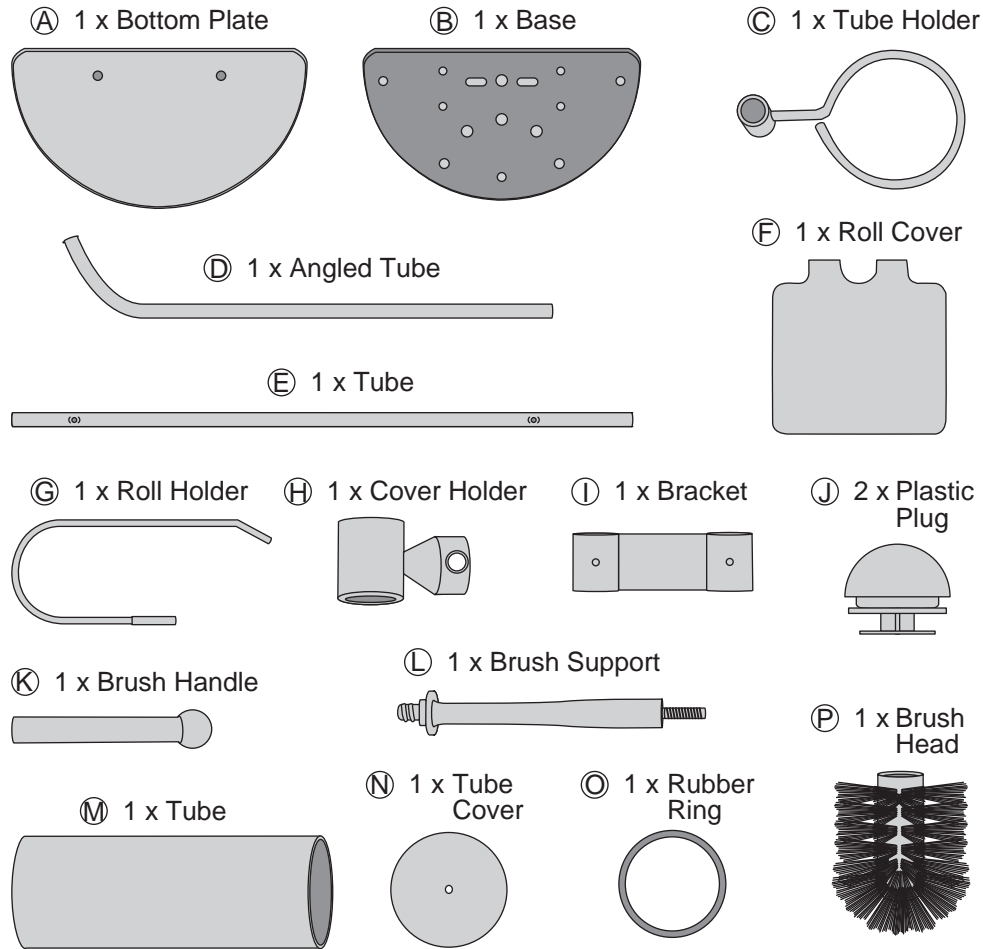
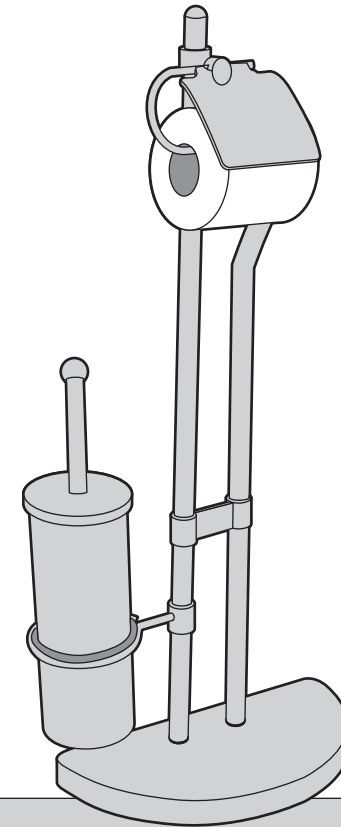


Components



Half Moon Brush / Roll Holder

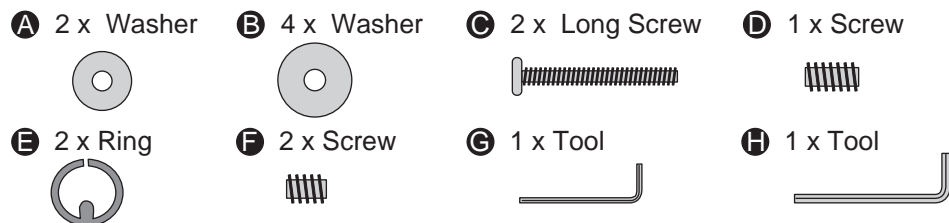
Simple Assembly Instructions - Please keep for future reference



IMPORTANT

1. Read these instructions carefully and familiarise yourself with the procedure before assembling the unit.
2. Check that you have all the component parts following the list on the back cover and familiarise yourself with each part before proceeding.
3. Take all the fittings out of the plastic bag and separate them into their groups.
4. Ensure you have enough space to lay out all the parts before assembly.
5. To avoid scratching it is recommended that you assemble the unit on a soft level surface.

Fittings



Assembly Instructions

Stage 1 – Fitting the Tube

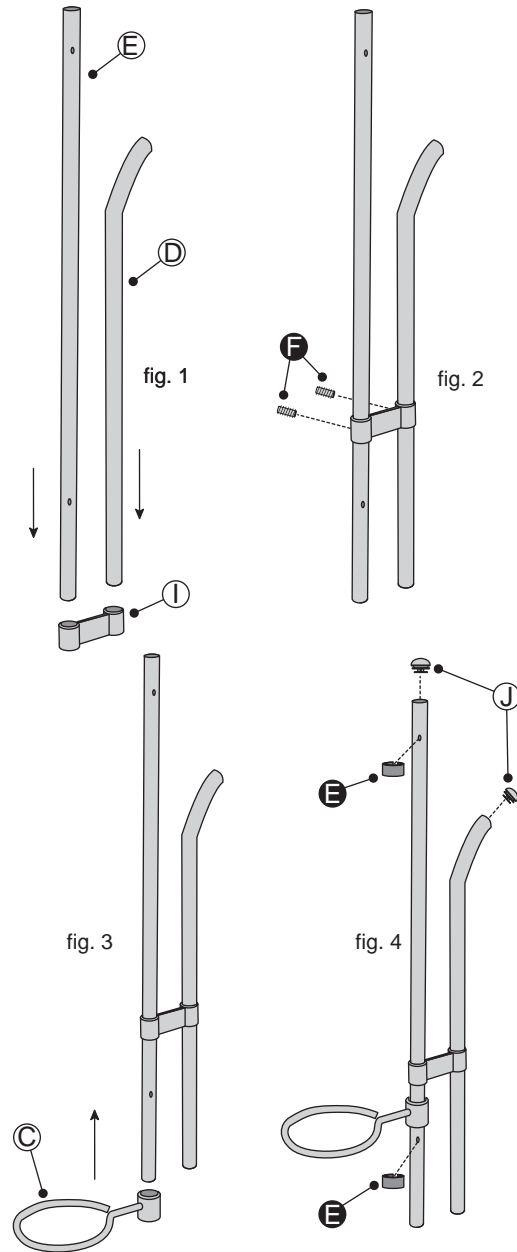
1. Insert Angled Tube **D** and Tube **E** into the Bracket **I**.
See fig. 1.

NOTE: There is a hole close to the top of Tube **E**. Ensure you assemble this way up.

2. Use Screws **F** to fix the Bracket **I** into the Tubes.
See fig. 2.

3. Insert Tube Holder **C** onto the unit. Locate in place using Ring **E** to locate the Tube.
See fig. 3 and 4.

4. Press the Plastic Plugs **J** into the ends of the Tubes.
See fig. 4.

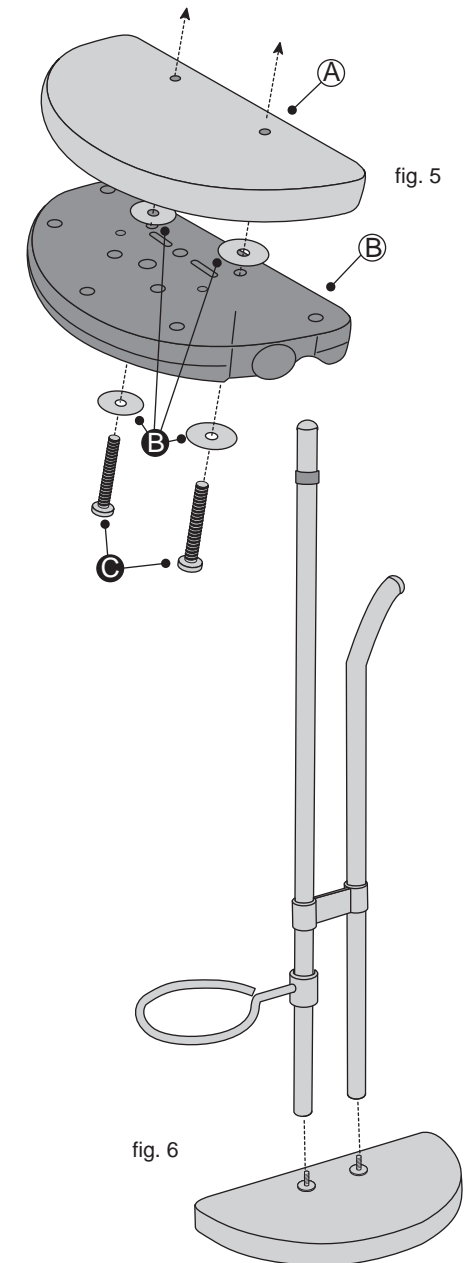


Assembly Instructions

Stage 2 – Fitting the Base

1. Use the Screws **C** and Washers **B** to fix Base **B** into the Bottom Plate **A**.
See fig. 5.

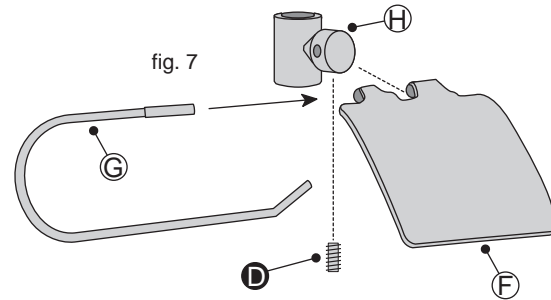
2. Screw in the Screws **C** into the Tubes.
See fig. 6.



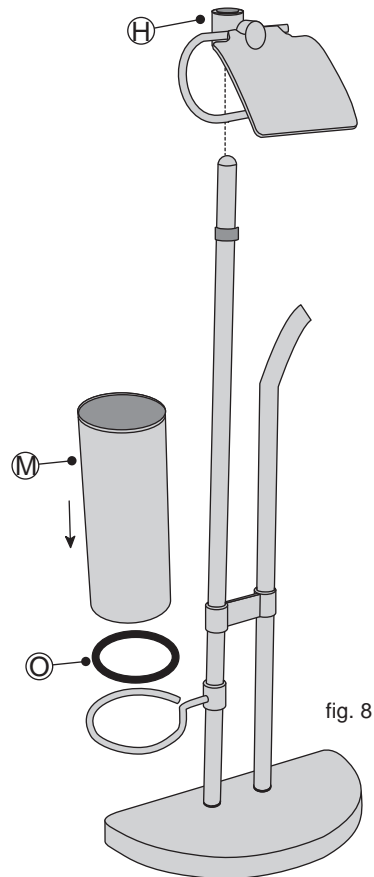
Assembly Instructions

Stage 3 – Fitting the Paper Holder

1. Use Roll Holder **G** to fix the Roll Cover **F** onto the Cover Holder **H**. Then use Screw **D** to fix the Roll Holder. **See fig. 7.**



2. Place the Cover Holder **H** into the unit. **See fig. 8.**



3. Place the Rubber Ring **O** into the Tube **M**. Then place the Tube into the unit. **See fig. 8.**

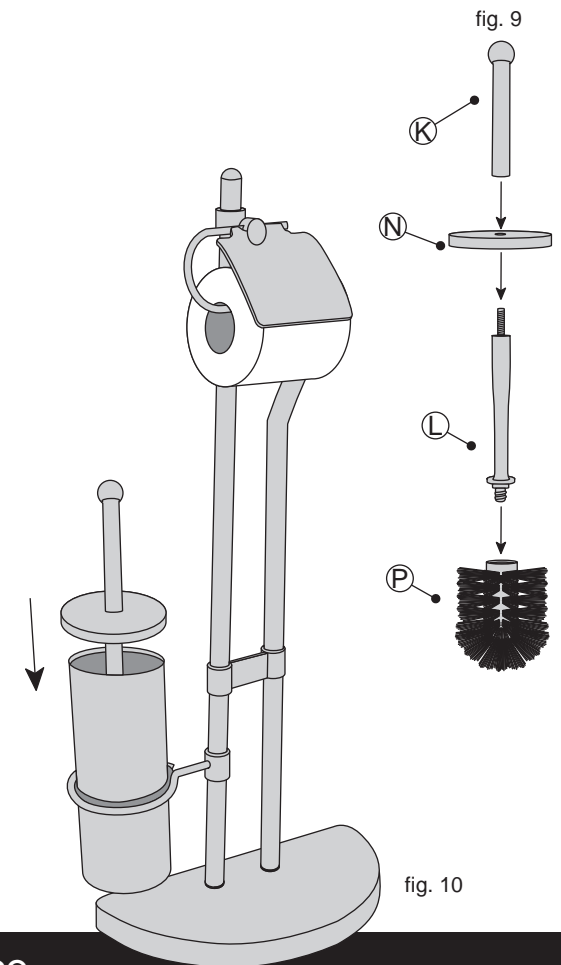
Assembly Instructions

Stage 4 – Fitting the Brush

1. Screw the Brush Support **L** into the Brush Handle **K** and fix the Tube Cover **N**. Then screw into the Brush Head **P**. Ensure its a tight fit. **See fig. 9.**

2. Then place the assembled brush into the unit. **See fig. 10.**

3. Finally carefully place the unit in the desired location. Unit shown with paper tissue in place. **See fig. 10.**



Care and Maintenance

Safety

To avoid any risk of suffocation to animals or children dispose of the plastic bags immediately.

Cleaning

As with all surfaces clean with a damp cloth and mild detergent, do not use bleach or abrasive products.

Fitting

From time to time please ensure there are no loose screws on the product.