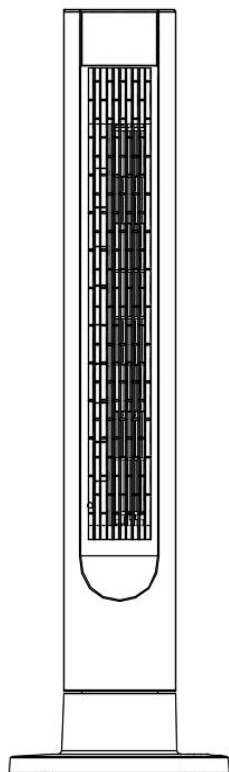


BUSH

Instruction manual

40 INCH DIGITAL SCREEN
TOWER FAN

Model number TX-TF40SRTC-2



BUSH

210 mm

142 mm

Please read the instructions fully before use.



Safety information

Important - please read the instructions fully before operating.

For household and indoor use only.

- This appliance must be used for its intended purpose only and operated as instructed in this user manual.
- Use only the voltage specified on the rating plate of the appliance.
- Do not connect the appliance to the mains voltage until completely assembled and adjusted.
- **This appliance can be used by children aged 8 years and above and persons with reduced physical, sensory, or mental capabilities or lack of experience and knowledge if they have been given supervision or instruction concerning use of the appliance in a safe way and understand the hazards involved. Children shall not play with the appliance. Cleaning and user maintenance shall not be made by children without supervision.**
- Children should be supervised to ensure they do not play with the appliance.
- To protect against electrical shock do not immerse cord, plugs, or the main body in water or other liquids.
- Check the appliance before each use for signs of wear or damage. If damaged, discontinue from use immediately and do not use until the appliance has been inspected and approved for use by a qualified service person.
- The product is not to be used if it has been dropped or there are visible signs of damage.
- If the supply cord is damaged, it must be replaced by the manufacturer, its service agent, or a similarly qualified persons in order to avoid hazard.
- Never attempt repairs yourself. Repairs to electrical appliances should only be performed by a qualified electrician. Improper repairs may place the user at serious risk and will invalidate the guarantee, take the appliance to a qualified repair agent.
- This appliance is designed for indoor, household use only.
- Do not insert fingers or other objects into the fan during use, this can

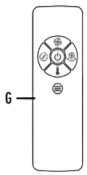
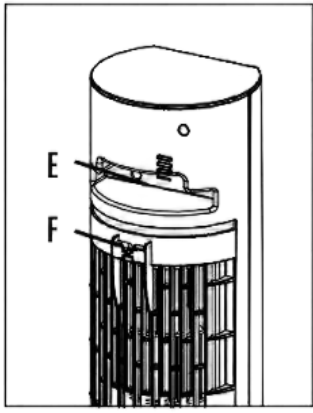
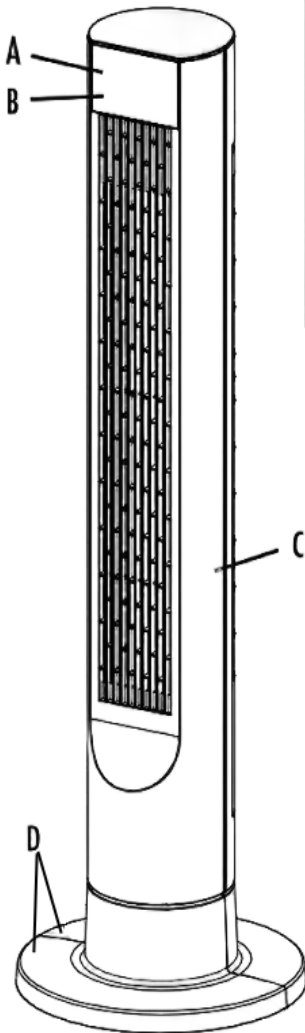
cause personal injury and damage.

- Unplug the appliance when not in use, when moving the appliance and before cleaning.
- Do not place the appliance on an unsteady surface.
- Keep away from open flames such as lit candles, open fires, cooking, and other heating appliances.
- Do not operate the fan in the presence of explosive and/or flammable fumes.
- Do not place the fan or any parts near an open flame, cooking, or other heating appliance.
- Do not hang or mount fan on a wall or ceiling.
- Do not operate if the fan housing is damaged.
- Do not allow fan to be directed onto children, the elderly or infirm for a long period of time.
- Do not use the fan in areas of high humidity, very dusty, or in temperatures higher than 40°C.
- Do not use the fan near an open window as rain may cause an electric shock hazard.

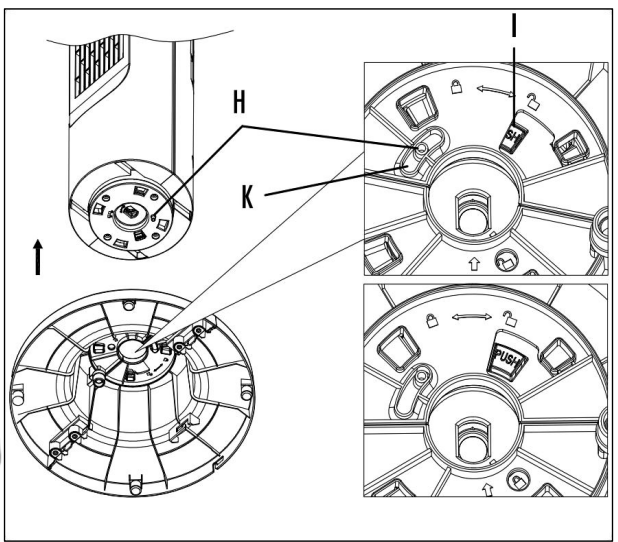
BATTERY WARNING

- CAUTION – Danger of explosion if batteries are incorrectly fitted / replaced.
- Batteries should be installed by an adult. Keep new and used batteries away from children.
- Only use 'AAA' 1.5V batteries in this remote control.
- Be sure to insert correctly taking care to observe the correct polarity (+ and -).
- Use only batteries of the same or equivalent type as recommended.
- Do not recharge non-rechargeable batteries.
- Never mix old and new batteries (replace all batteries at the same time).
- Never try to crush. Puncture or dismantle batteries.
- Do not short-circuit the supply terminals.
- Always remove exhausted or dead batteries from the product.
- Remove batteries from the product before extended storage.
- Dispose of used batteries responsibly at local authority household waste recycling facility.
- DO NOT dispose of batteries in a fire as the batteries may explode.
- In the event of a battery pack leaking, do not allow the liquid to come in contact with the skin or eyes. If contact has been made, wash the affected area with copious amounts of water and seek medical advice.

Getting to know your tower fan



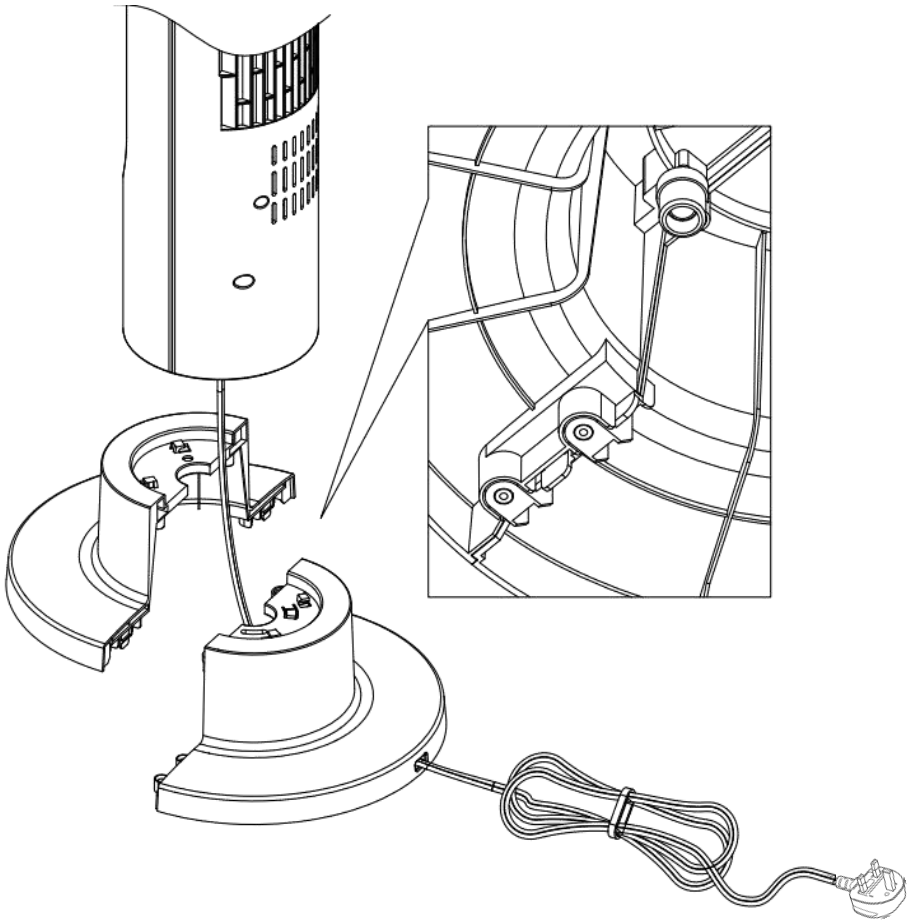
- A. LED Display
- B. Control Panel
- C. Fan Housing
- D. Base Halves
- E. Handle
- F. Power Cord Clip
- G. Remote Control
- H. Locking Posts
- I. Power Cord Management
- J. Holes



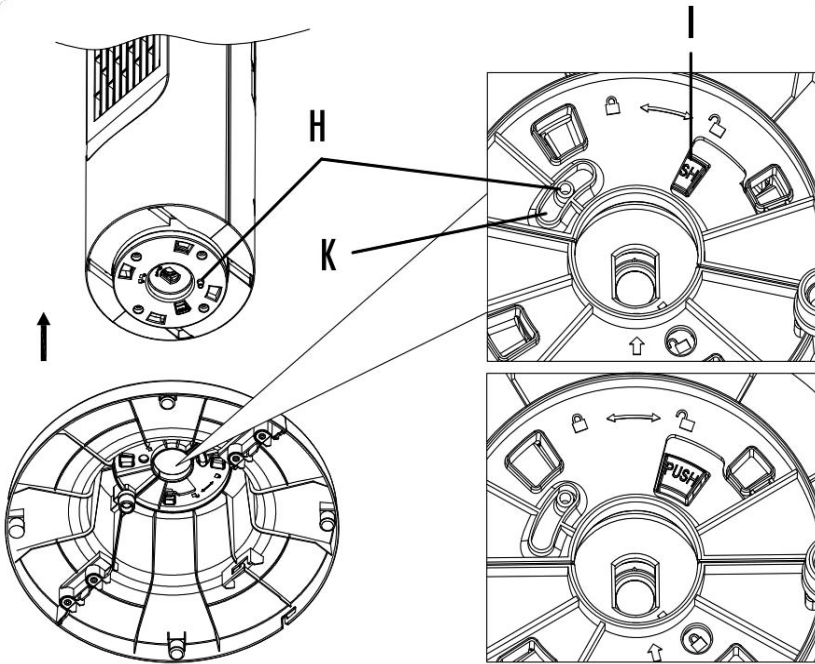
Note: 2 x AAA batteries for the Remote Control are not included.

Assembling your fan

Remove all parts from the box and remove all packaging.

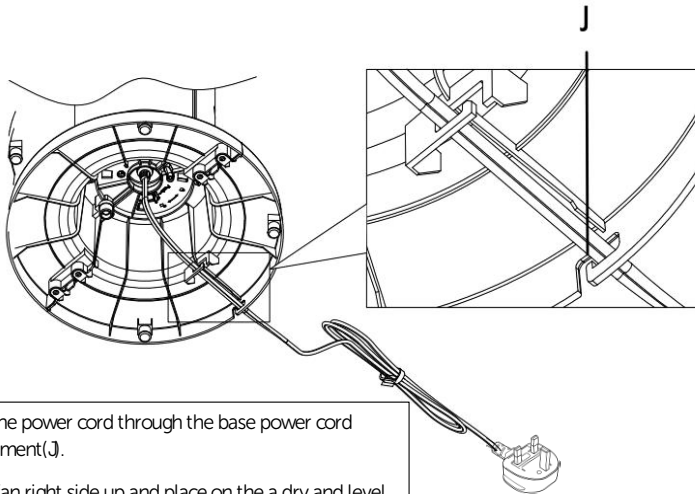


1. Assemble Base Halves (D) around power cord.
2. To Secure the Base Halves together, slide the posts of one base half into the slots of the second base half.



3. Line up the Holes(K) with the Locking Posts (H) on the bottom of the Fan Housing (C).

4. Secure by turning the base counterclockwise around the Locking Posts until an audible click is heard. To remove the base, press the button "PUSH" with one hand then simultaneously rotate the base clockwise with the other hand until the base is removed.



5. Run the power cord through the base power cord Management(J).

6. Turn fan right side up and place on the a dry and level surface.

INSTRUCTIONS FOR USE

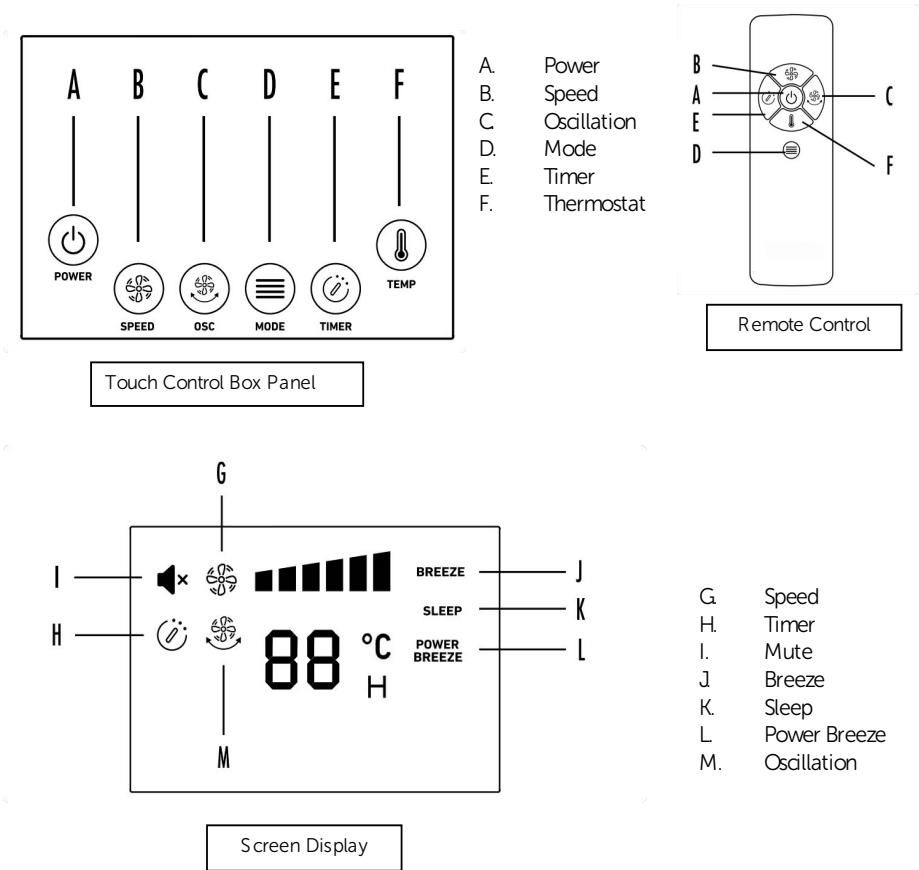
Before using your fan

Make sure you have read and fully understood the safety instructions before operating the fan.

- Choose a safe, horizontal, stable surface to place your desk fan and position the power cord so not to create a trip hazard.
- Plug the power cord into a suitable power socket.

CAUTION: DO NOT COVER THE FAN HEAD

Using your fan





Power: The fan icon lights up when fan is turned on. Press again to switch your fan off into standby mode.



Speed: Press to adjust the level of wind speed. There are 5 settings to select from. Speed will select in below sequence cycle 3 -> 4 -> 5 -> 1 -> 2



OSC: Oscillation function ON or OFF. This activates the fan to move from side to side.



Mode: Mode will select in below sequence cycle: NORMAL -> BREEZE -> SLEEP -> POWER BREEZE

NORMAL: This setting allows for manual speed selection, which can be changed at any time.

BREEZE:

if 1st speed is selected: Always in normal speed 1, stop 3 seconds for every 5 seconds.

if 2nd speed is selected: the speed will be automatically rotate between speed 1-2-1-2-1-2, stop 3 seconds for every 15 seconds.

if 3rd speed is selected: the speed will be automatically rotate between speed 2-1-3-2-3-1-3, stop 3 second for every 35 seconds

if 4th speed is selected: the speed automatically rotate between speed 3-2-4-3-4-2-4, stop 3 second for every 35 seconds.

if 5th speed is selected: the speed automatically rotate between speed 4-3-5-4-5-3-5, stop 3 second for every 35 seconds.

SLEEP:

if 1st speed is selected: The fan will operate in speed 1.

if 2nd speed is selected: The fan will operate in speed 2 for 10 minutes, for the remaining time it will operate in speed 1.

if 3rd speed is selected: The fan will operate in speed 3 for 10 minutes, then in speed 2 for 10 minutes, for the remaining time it will operate in speed 1.


if 4th speed is selected: The fan will operate in speed 4 for 10 minutes, then in speed 3 for 10 minutes, for the remaining time it will operate in speed 1.

if 5th speed is selected: The fan will operate in speed 5 for 10 minutes, then in speed 4 for 10 minutes, for the remaining time it will operate in speed 1.

POWER BREEZE: Delivers maximum airflow for faster, more powerful cooling. Speed 6 is automatically selected.



MODE: Press and hold the MODE key on the control panel for 3 seconds to toggle mute on or off.

- o Mute On: The mute icon above will be activated. 
- o Mute Off: The mute icon above will be deactivated, and the buzzer will beep once every 200ms.



Timer: Timer will increment 1H as below sequence cycle 1H -> 2H -> 4H -> 8H -> 12H -> TIMER OFF.



Thermostat: Press this key to select the desired temperature. Continuous pressing of the key will cycle through the preset temperature range 16-18-21-24-27°C- off Once set, the fan will continue to run until the room temperature is below the selected value. The fan will then stop when the temperature drops below the set point and will resume operation when the room temperature rises above it again.

Screen Display:

During use, the screen display will automatically turn off after 36 seconds. The display will light back up when any button is pressed.

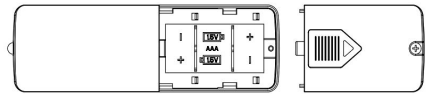
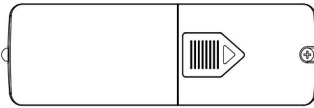
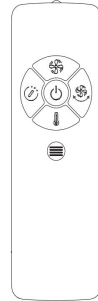
Using the remote control:

Note: Battery Type: "1.5V 2 x AAA" are not included.

The Fan comes with a remote control for your convenience.

The functions on the remote control are the same as the buttons on the Fan.

- To install or remove the batteries, remove the back of the remote control by fix the screw and pressing down on the Thumb Grip, then sliding the battery cover along and lift off as shown.



- Insert the batteries inside the battery compartment matching polarity icons (+ and -) with those marked inside the battery compartment.

Place the flat "-" end of the battery on the spring, push down on the spring and at the same time, push the top "+" end of the battery into the remote control. Repeat for the other battery and then refit the cover securely by sliding it back on until it clips shut.

- To remove the batteries, using your fingernail or a plastic tool, pry the batteries out by pushing from the top (+ end) of the battery and then swing out as shown.

IMPORTANT:

Do Not mix new and old batteries or batteries of different types (e.g., Alkaline with Non-Alkaline) in the remote control.

To prevent corrosion, remove the batteries if the remote control will not be used over a lengthy period.

Non-rechargeable batteries are not to be recharged.

Exhausted batteries are to be removed from the remote control and safely disposed of.

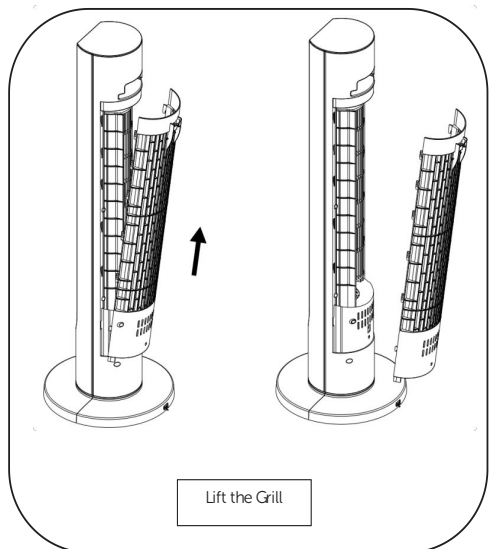
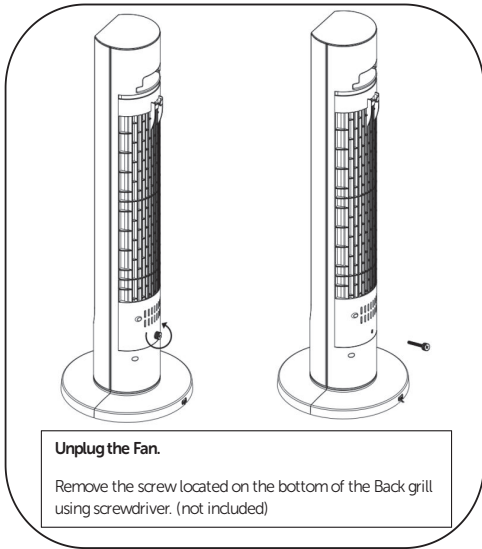
The battery supply terminals are not to be short-circuited.

- Point the Remote Control at the front of the Fan control panel as this is the location of the receiver, then press your desired button.
- The remote control typically functions within approximately 5 meters from the front of the product, with an allowable deviation angle of up to 30 degrees.

Care and Maintenance

Follow these instructions to correctly and safely care for this fan.

Removal of the grill



Fan cleaning:

1. Always unplug the fan before cleaning.
2. Do not allow water to drip on or enter into fan housing.
3. Be sure to use a soft cloth moistened with a mild soap solution.

Cleaning the fan grill:

Use a damp soft cloth with a mild soap solution to clean the grill.

Allow the fan grill to dry fully before re-installation.

Not dishwasher safe.

Do not install the grill or plug in the fan when the grill is wet.

Do not attempt to plug in or run the fan when the grill is removed.

Storage

- When not in use, clean the fan before storing away in the original or similar sized box.
- Store the fan in a safe, clean, and dry place, away from direct sunlight and out of reach of children.

Technical Specifications.

BUSH 40 INCH DIGITAL SCREEN TOWER FAN	Symbol	Value	Unit
Model number	--	TX-TF40SR TC-2	--
Voltage	--	220-240	VAC
Maximum flow rate	F	27,9	m ³ /min
Fan power input	P	40,0	W
Service value	SV	0,7	(m ³ /min)W
Standby consumption	P _{SB}	0,2	W
Fan sound power level	L _{WA}	60	dB(A)
Maximum air velocity	C	3,4	Meters/sec
Measurement standard for service value	EN IEC 60879:2019		
Bush Careline	Customer helpline 0345 604 0105		



Recycling electrical products.



You should now recycle your waste electrical goods and in doing so help the environment. This symbol means an electrical product should not be disposed of with normal household waste. Please ensure it is taken to a suitable facility for disposal. Visit www.recycle-more.co.uk, click on "bank locator" and enter your postcode to find your nearest recycling site.

Plug and wiring advice.

The wires in this mains lead are coloured in accordance with the following UK electrical code:

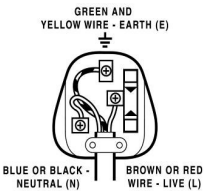
BLUE = NEUTRAL
BROWN = LIVE
GREEN + YELLOW = EARTH


Non-rewireable plug

This appliance may be fitted with a "non-rewireable" plug. If you need to change the fuse in a "non-rewireable" plug, the fuse cover must be refitted. If the fuse cover is lost or damaged, the appliance must not be used.

Rewireable plug

The colours of the wires in the mains lead of this appliance may not correspond with the coloured markings identifying the terminals in a rewireable plug. **Rewireable plugs should only be replaced by a suitably competent person. If in doubt, consult a qualified electrician.**



The BLUE wire must be connected to the terminal marked with the letter N
The BROWN wire must be connected to the terminal marked with the letter L
The GREEN & YELLOW wire must be connecting to the terminal marked with the letter E or the earth symbol 

Help and assistance

If you require any technical guidance or find that your Fan is not operating as intended, a simple solution can often be found in these instructions or online at www.bush-support.com

If you still require further assistance, call one of our experts on 0345 604 0105*. To help give us give you a fast and efficient service please have the following information ready:

Model Ref.

Serial number

Date of purchase

You can find these on the rating plate - a small information panel (usually a sticker or metal plate) on the rear of your product

This will be shown on your receipt

Local call rates apply*

Lines open 8am-7pm Monday to Saturday and 10am-4pm Sunday.

*Calls to Bush enquiry lines may attract a charge and set up fee from residential lines depending on your call plan/tariff. Mobile and other providers costs may vary, see www.bt.com/pricing for details.

For security and training purposes, telephone calls to and from customer service centres may be recorded and monitored. Calls from Republic of Ireland will attract international call charges.

Product support

Help is always at hand

BUSH

Call us now and register your 12 month guarantee

Thank you for choosing Bush. Your new product is guaranteed against faults and breakdowns for 12 months. Don't forget to register it with us today so we can provide you with our best possible after-sales service and useful updates.

www.bushregistration.co.uk

FREEPHONE *

0800 597 8548

Lines are open 8am - 8pm, 365 days a year. *Calls may be recorded and monitored.

Your Bush Guarantee

This product is guaranteed for twelve months from the date of original purchase. Any defect that arises due to faulty materials or workmanship will be repaired free of charge (or if applicable the product will be replaced or the purchase price refunded) where possible during this period by the dealer from whom you purchased the unit.

The guarantee is subject to the following provisions:

- The guarantee does not cover accidental damage, misuse, cabinet parts, knobs or consumable items.
- The product must be correctly installed and operated in accordance with the instructions contained in the manual.
- It must be used solely for domestic purposes. The guarantee will be rendered invalid if the product is re-sold or has been damaged by inexperienced repair.
- Specifications are subject to change without notice.
- Bush disclaim any liability for loss or damage arising from the breakdown of the product.
- This guarantee is in addition to and does not diminish your statutory or legal rights.

Important Data Protection Information

To find out how we and Domestic & General Insurance Plc use your data please refer to the guarantee registration material or visit www.bushregistrations.co.uk

Guarantor: Argos Limited, Sainsbury's Supermarkets Ltd, London, EC1M 6HA, UK.
Argos (N.I.) Ltd, and Sainsbury's (NI) Ltd, Forestside Shopping Centre, Upper
Galwally, Belfast, BT8 6FX, UK.



This page is left intentionally blank

