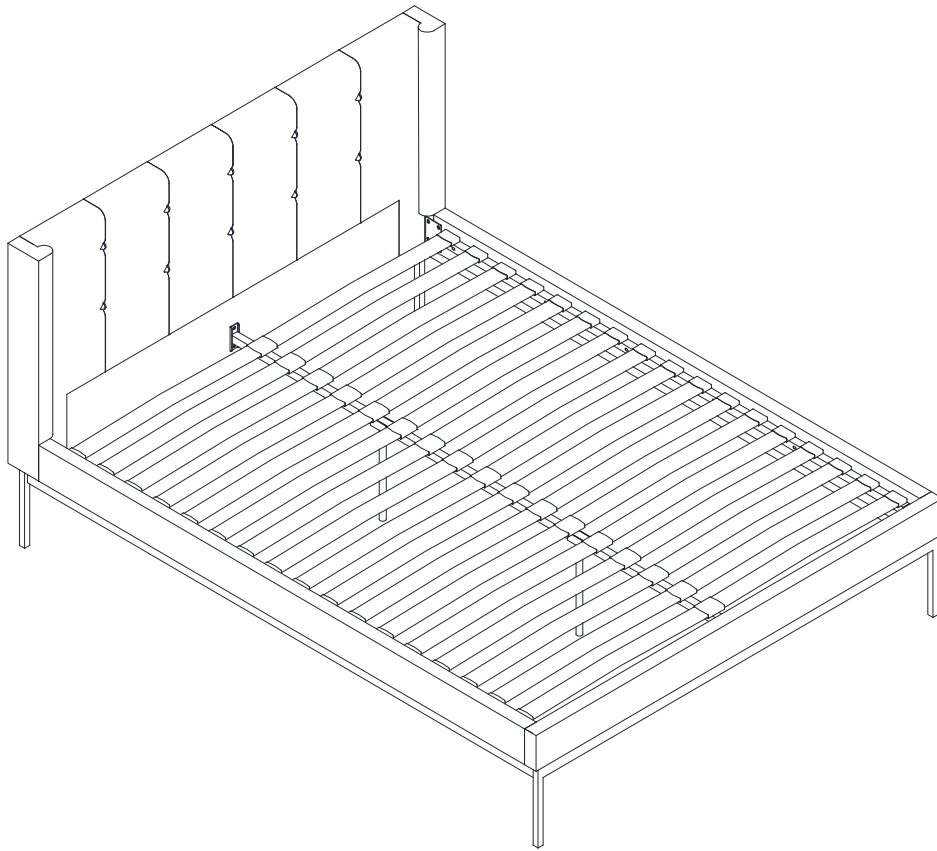



# COOPER 5FT BED


HOME




## Spare Parts

 [www.argos-support.co.uk](http://www.argos-support.co.uk)

 [Help@ClickSpares.co.uk](mailto:Help@ClickSpares.co.uk)

 0370 112 1928

## Customer Support

 0345 640 2020



# Safety and Care Advice

---

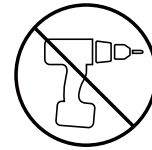
## Product Details

COOPER FABRIC 5FT 8214197

## IMPORTANT, RETAIN FOR FUTURE REFERENCE: READ CAREFULLY.

- Keep children and animals away from the work area, small parts could choke if swallowed.
- Make sure you have enough space to layout the parts before starting.
- This product has been constructed to be used in the domestic environment only and not for commercial purposes.

- Assemble the item as close to its final position (in the same room) as possible.
- Assemble on a soft level surface to avoid damaging the unit or your floor.



- We do not recommend the use of power drill/drivers for inserting screws as this could damage the unit. Only use hand screwdrivers.
- Parts of the assembly will be easier with 2 people.
- Dispose of all packaging carefully and responsibly.

## Care and maintenance

---

- Only clean using a damp cloth and mild detergent. Do not use abrasive cleaners.
- Use a dry cloth to clean the product, furniture polish is not recommended.
- From time to time check that there are no loose screws, nuts or bolts. If there are please re-tighten.
- This product should not be discarded with household waste. Take to your local authority waste disposal centre.

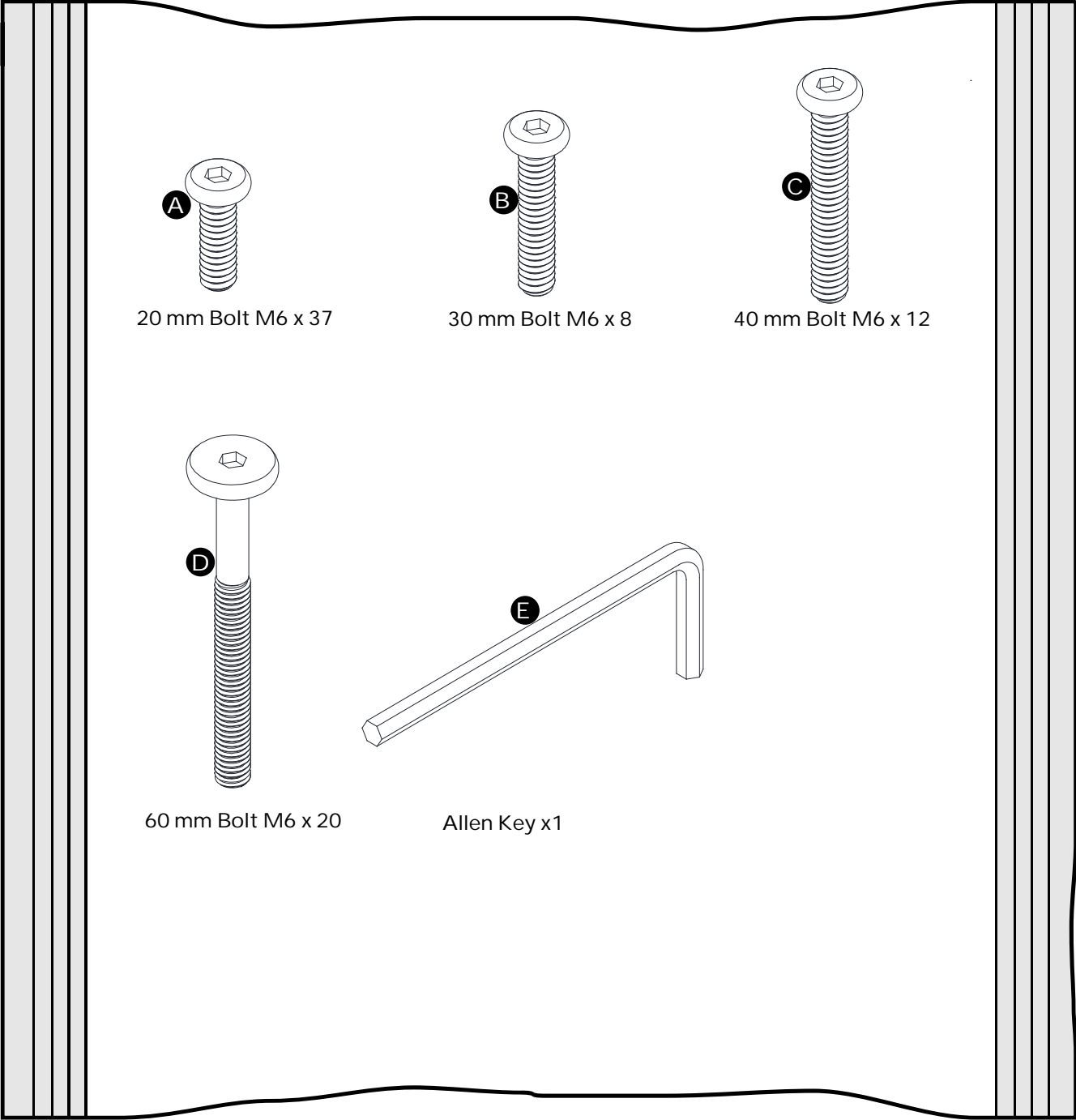
## Additional Guidance

---

- Assemble all parts and bolts loosely during assembly, only once the product is complete should you fully tighten the bolts.
- Regularly check and ensure that all bolts and fittings are tightend properly.
- Maximum user weight 140kg(refer to BS EN1725)
- This product is compliant BS EN1725:1998

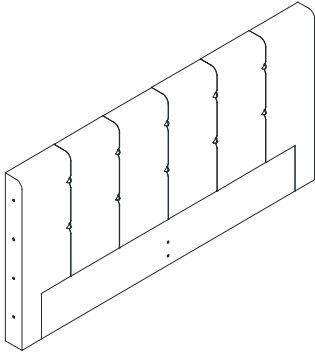
# Fittings (Shown to scale)

## Bag 1

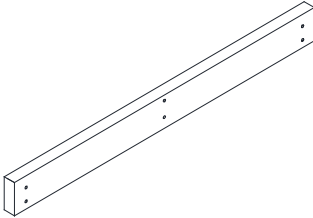


# Panels

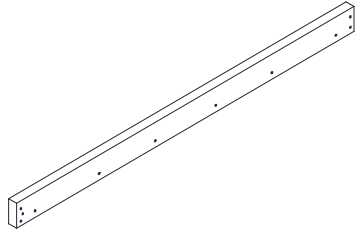
---



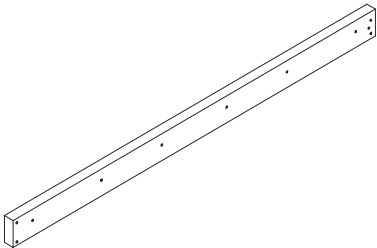
**1** Head Board  
(1535 X 740 mm)



**2** Foot Board  
(1635 X 120 mm)



**3** Side Panel 01  
(1965 X 120 mm)



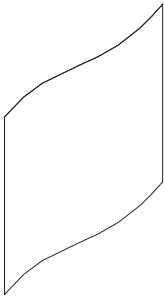
**4** Side Panel 02  
(1965 X 120 mm)



**5** Side Board 01  
(740 X 140 mm)



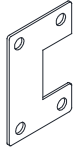
**6** Side Board 02  
(740 X 140 mm)



**7** Back fabric Panel  
(1520 X 710 mm)

# Hardware

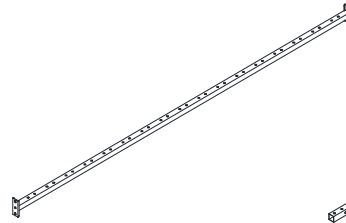
---



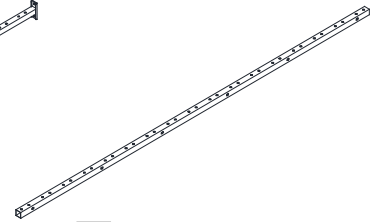
**8** Bracket x2  
(80mm)



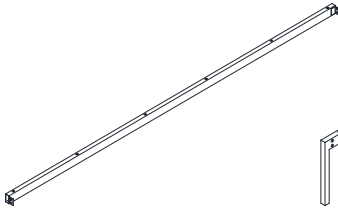
**9** Support Leg x 2  
(290 mm)



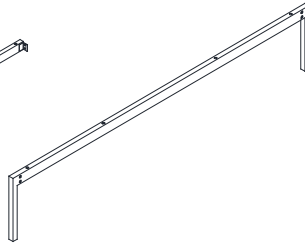
**10** Center Rail  
(2012 mm)



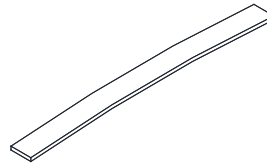
**11** Side Rail 01x2  
(1900 mm)



**12** Side Rail 02 x2  
(2057 mm)



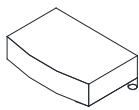
**13** Leg x2  
(1596 mm)



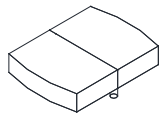
**14** Wooden Slat x34  
(765 mm)



**15** Cross Rail  
(1531 mm)



**16** Single Slat Cap x 34  
(36 mm)



**17** Double Slat Cap x 17  
(68 mm)

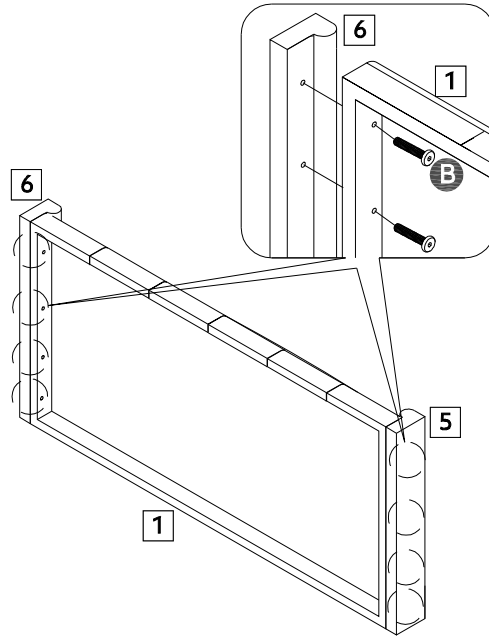
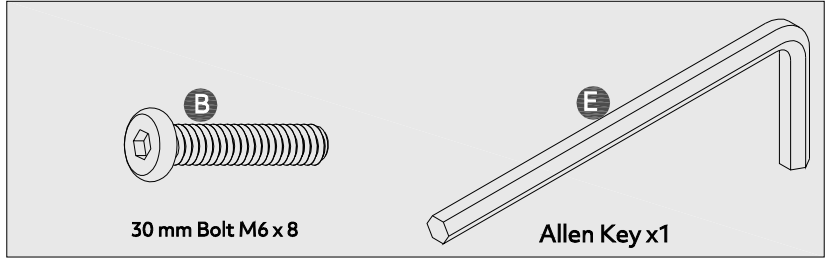
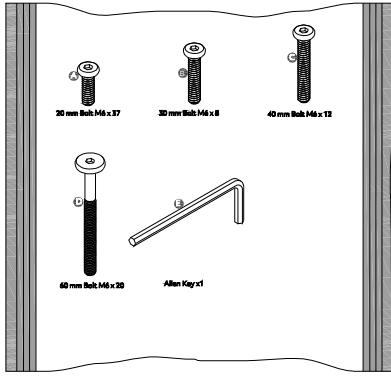


**18** Bracket L  
(80mm)

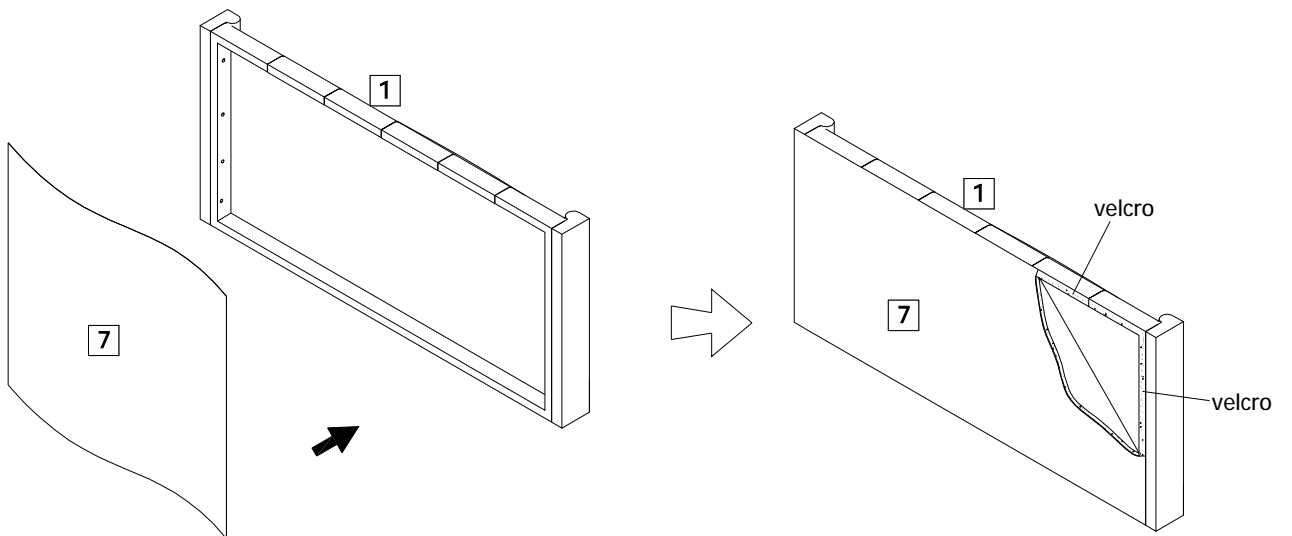


**19** Bracket R  
(80mm)

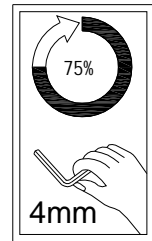
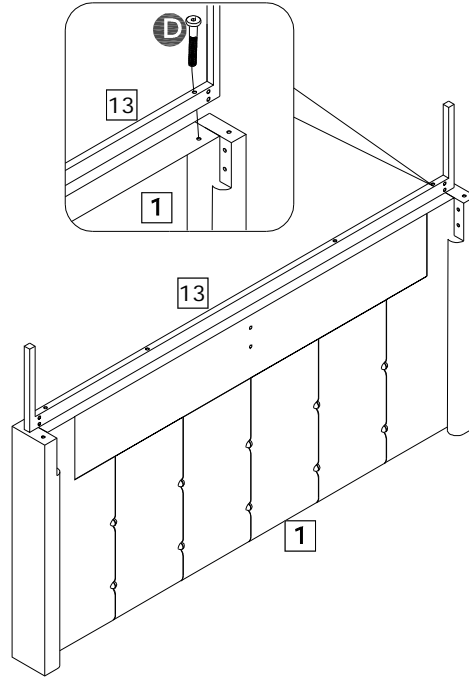
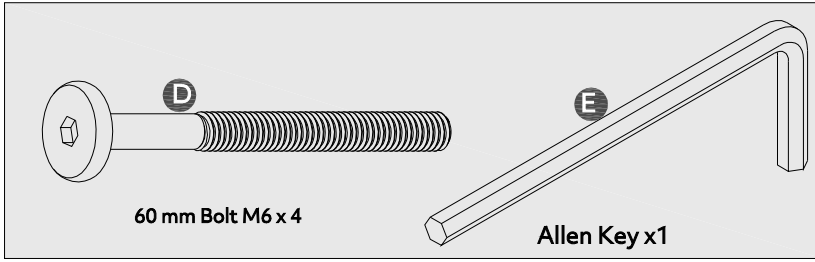
# 1



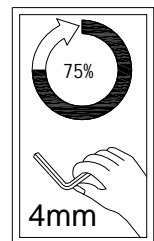
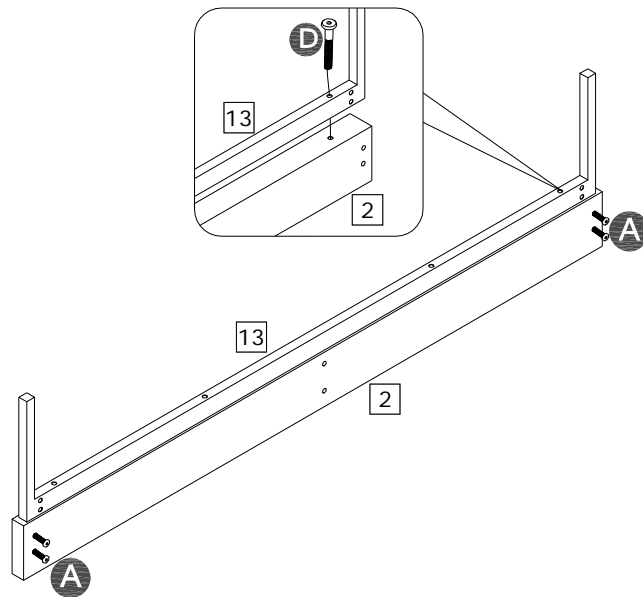
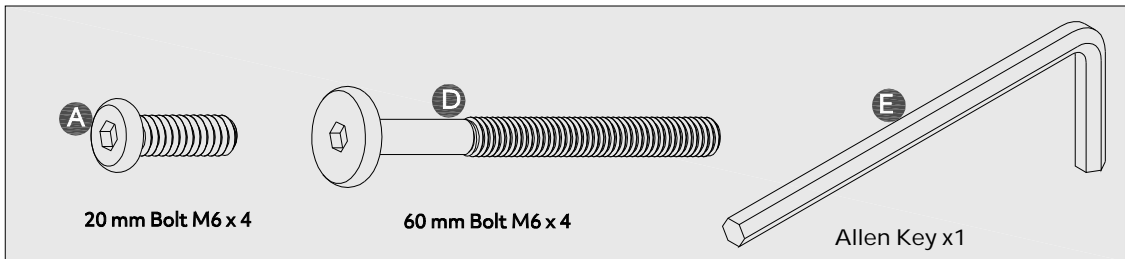
# 2



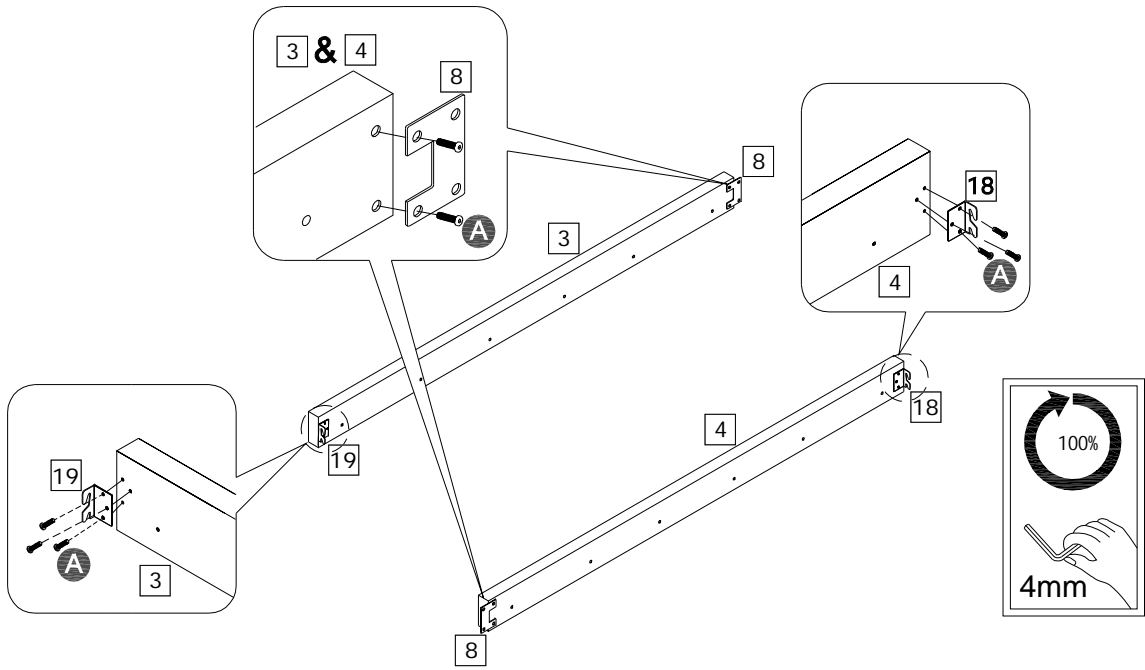
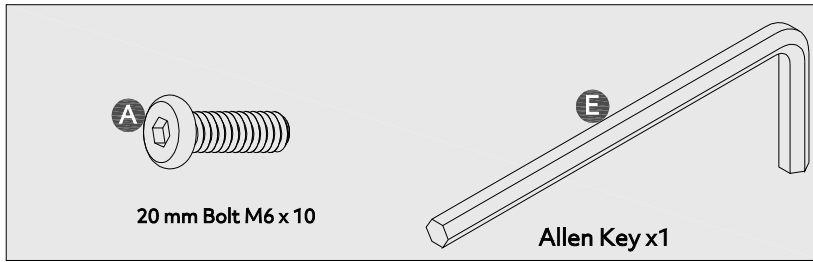
# 3



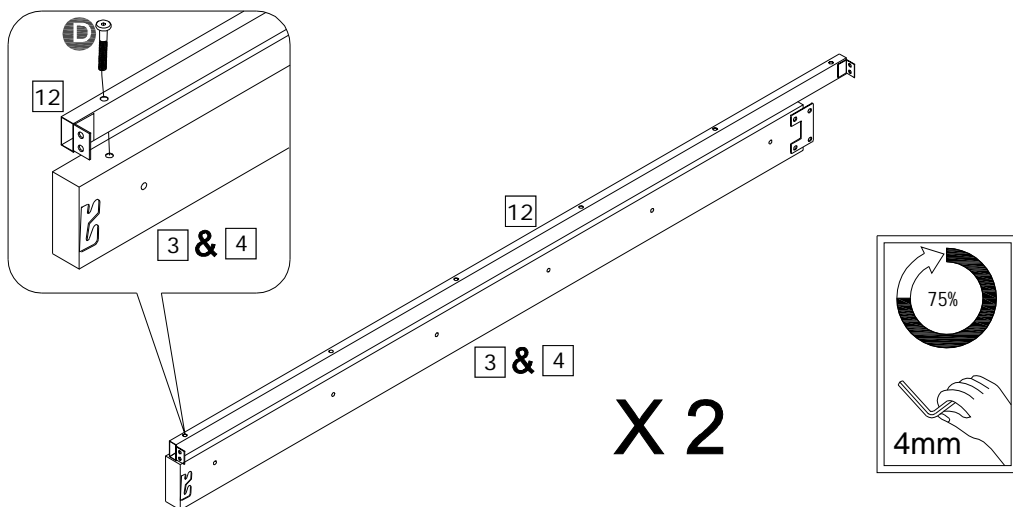
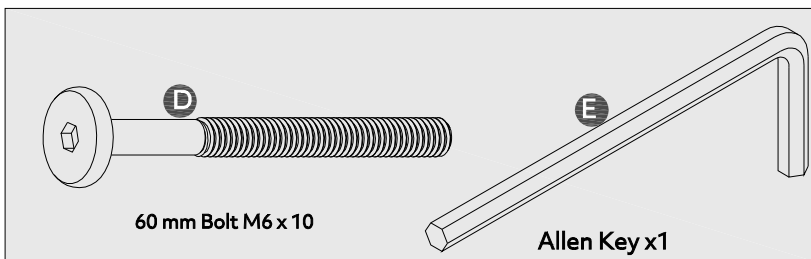
# 4



# 5

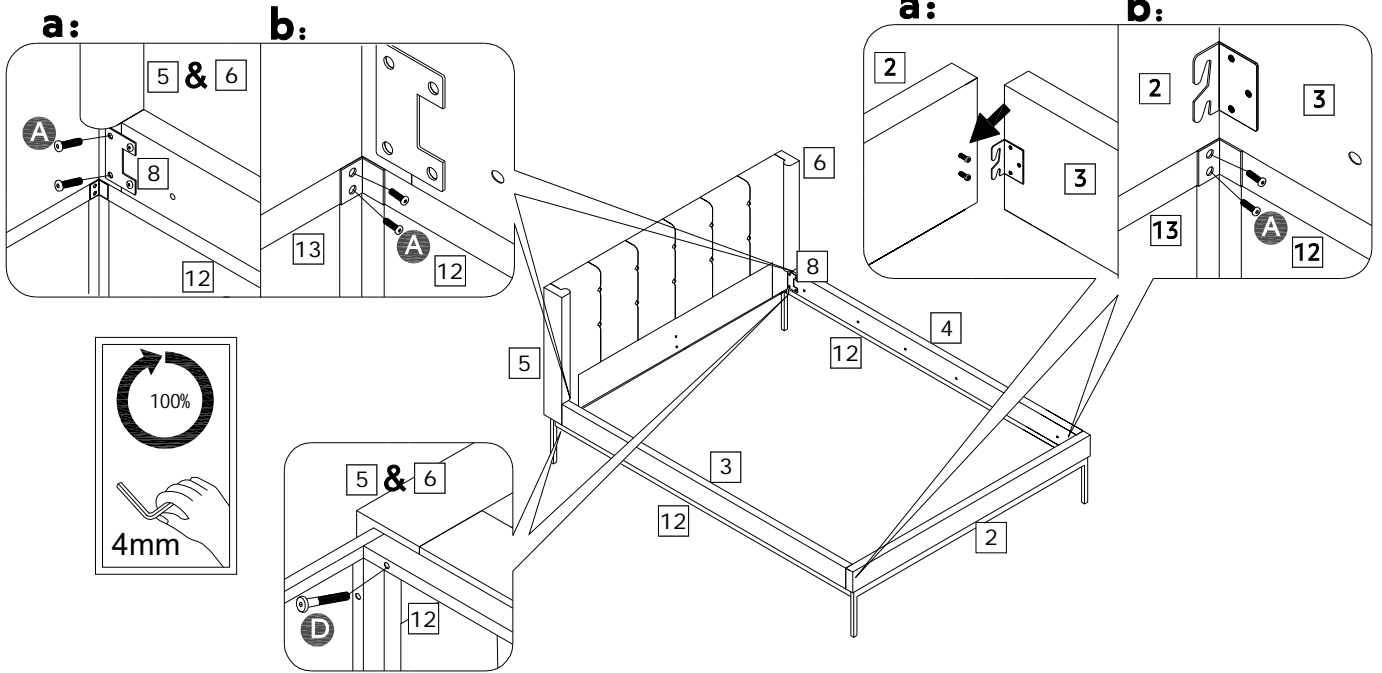
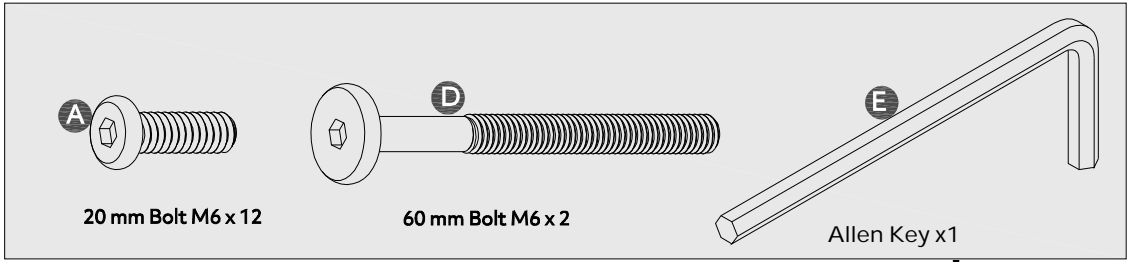


# 6

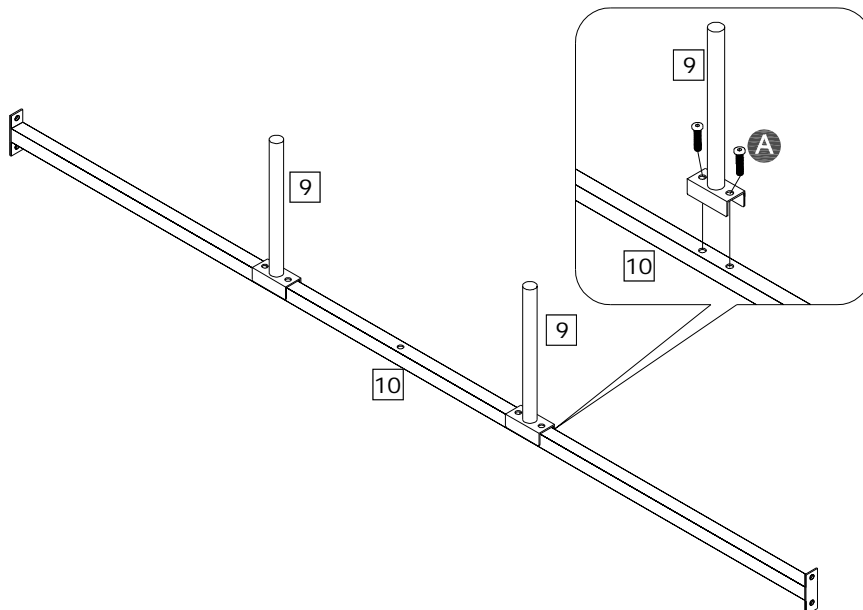
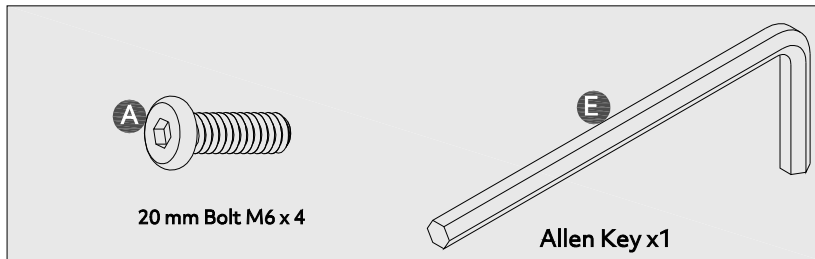




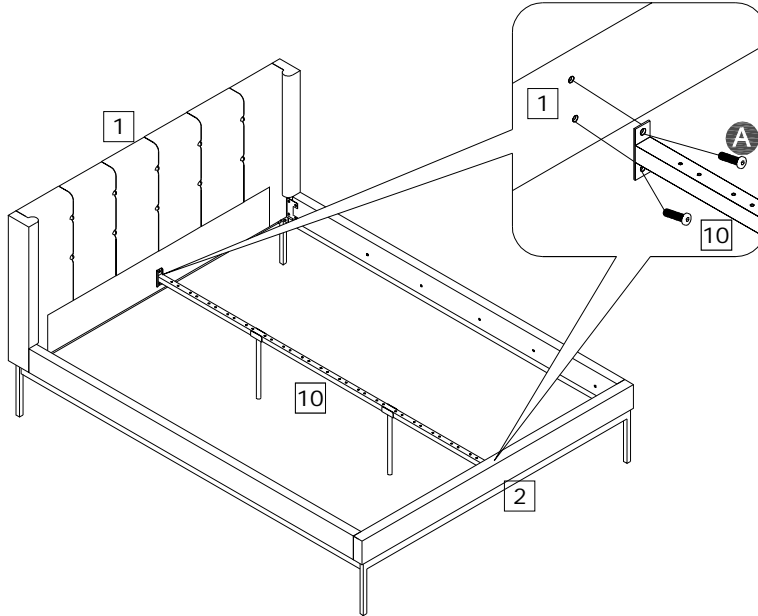
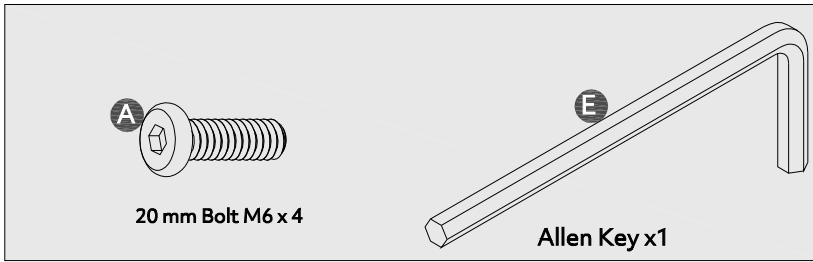
# 7



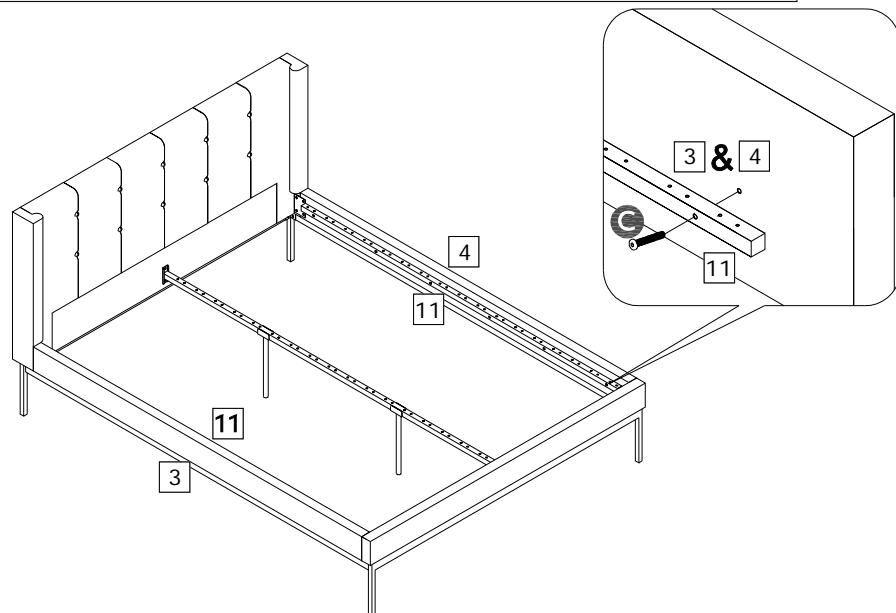
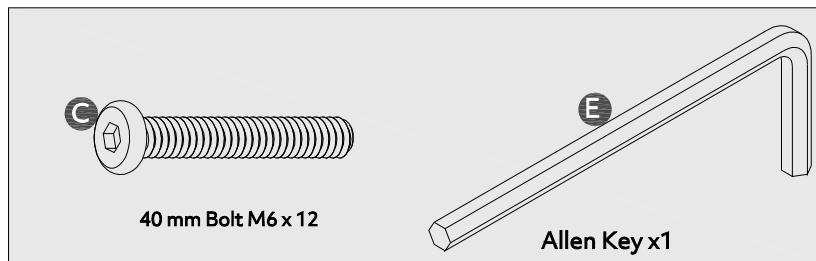
# 8



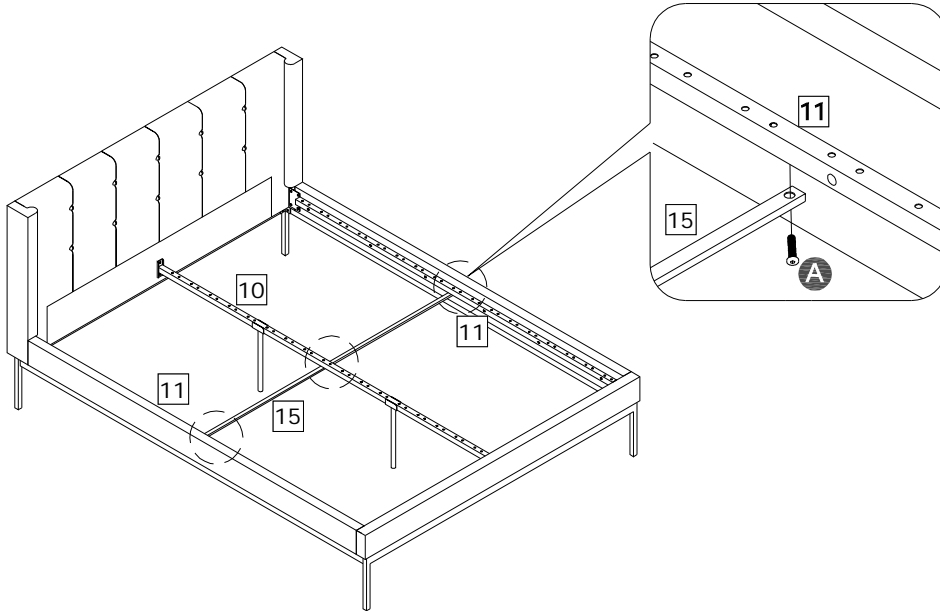
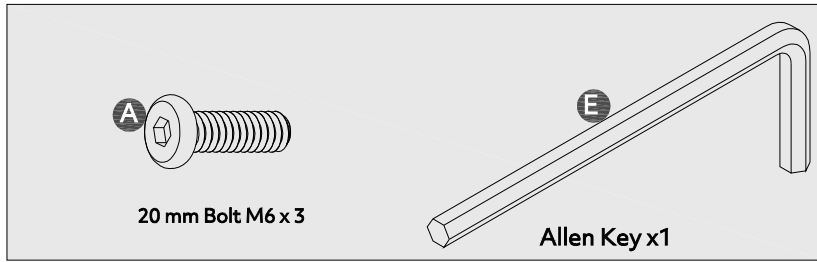
# 9



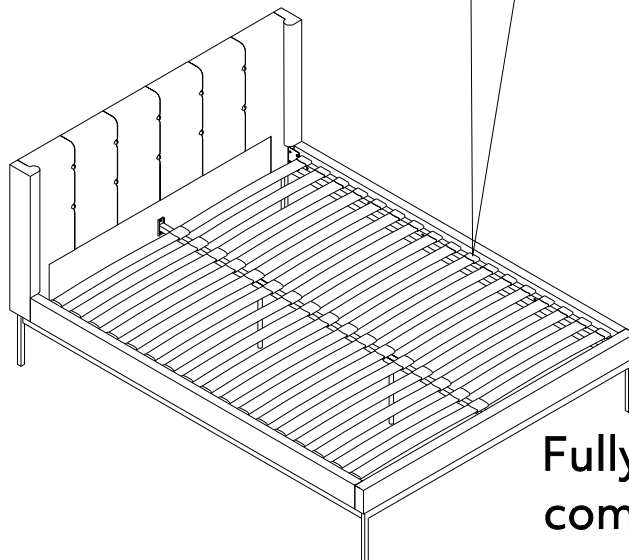
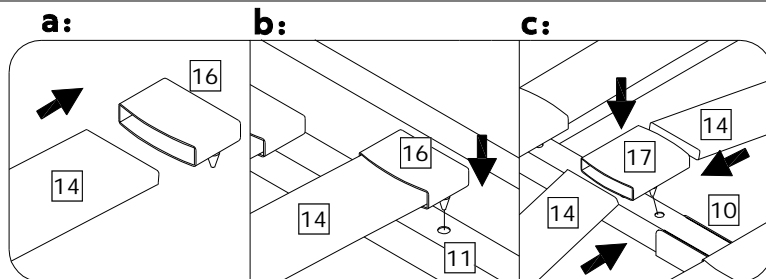
# 10



# 11



# 12



Fully tight all the bolts to complete the assembly!