



# HOVERBOARD



OPERATION MANUAL  
H1-ST-CMB

# HELMETS SAVE LIVES!

Always wear a properly fitted helmet that complies with CPSC or CE safety standards when you ride your scooter.



**Correct Fitting:**

Make sure your helmet covers your forehead.



**Incorrect Fitting:**

Forehead is exposed and vulnerable to serious injury.

# **WARNING!**

## **PLEASE READ THE USER MANUAL THOROUGHLY.**

**Failure to follow the basic instructions and safety precautions listed in the user manual can lead to damage to your Hoverboard, other property damage, serious bodily injury, and even death.**

Thank you for purchasing the Hover-1 Hoverboard Electric Scooter. Please read all instructions carefully before using and retain this manual for future use and reference.

This manual applies to the Hoverboard Electric Scooter.

- In order to avoid dangers that are caused by collisions, falls, and loss of control, please learn how to ride the Hoverboard safely.
- You can learn operating skills by reading the product manual and watching videos.
- This manual includes all operating instructions and precautions, and users must read it carefully and follow the instructions.
- Hover-1 can not be held liable for damage or injury caused by failure to understand and follow the warnings and instructions in this manual.

## **ATTENTION**

1. Use only the supplied charger with this scooter.

Charger Manufacturer: Shenzhen Fuyuan Dian Power Co., Ltd.  
Model: FY0422941000

2. The operating temperature range of the Hoverboard is 32-104° F (0-40° C).
3. Do not ride on icy or slippery surfaces.
4. Read the user manual and warning labels before riding.
5. Store the Hoverboard in a dry, ventilated environment.
6. When transporting the Hoverboard, avoid violent crashes or impact.

## **LOW TEMPERATURE WARNING**

Low temperature will affect the lubrication of moving parts inside the Hoverboard scooter, increasing internal resistance. At the same time, in low temperatures, the discharge capacity and the capacity itself of the battery will be significantly decreased.

Use caution when riding the Hoverboard in cold temperatures (below 40 degrees F).

Doing so may increase the risk of mechanical failures of the scooter, which may lead to damage to your Hoverboard, other property damage, serious bodily injury and even death.

## **SAFETY INSTRUCTIONS**

- Keep the Hoverboard away from heat sources, direct sunlight, humidity, water and any other liquids.
- Do not operate the Hoverboard if it has been exposed to water, moisture or any other liquids to prevent against electric shock, explosion and/or injury to yourself and damage to the Hoverboard.
- Do not use the Hoverboard if it has been dropped or damaged in any way.
- Repairs to electrical equipment should only be performed by the manufacturer. Improper repairs voids the warranty and may place the user at serious risk.
- Do not puncture or harm the exterior surface of the product in any way.
- Keep the Hoverboard free from dust, lint, etc.
- Do not use this Hoverboard for anything other than its intended use or purpose. Doing so may damage the Hoverboard or lead to property damage, injury or death.
- This product is not a toy. Keep out of reach of children.
- Do not expose batteries, battery pack, or batteries installed to excessive heat, such as direct sunlight, or open flame.
- Do not allow hands, feet, hair, body parts, clothing or similar articles to come in contact with moving parts, wheels or drivetrain, while the engine is running.
- Do not operate or allow others to operate the Hoverboard until the user understands all instructions, warnings and safety features described in this manual.

- Check with your doctor if you have a medical condition that could affect your ability to use the Hoverboard.
- Persons with head, back or neck ailments or prior surgeries to those areas of the body are not recommended to use the Hoverboard.
- Persons with any mental or physical conditions that may make them susceptible to injury or impair their physical or mental capabilities to recognize, understand and perform all of the safety instructions and to be able to assume the hazards inherent in unit use, should not use the Hoverboard.



## NOTES:

In this manual, the above symbol with the word “NOTES” indicates instructions or relevant facts the user should remember prior to using the Hoverboard.



## CAUTION!

In this manual, the above symbol with the word “CAUTION” indicates a hazardous situation which, if not avoided, can cause minor or moderate injury.



## WARNING!

In this manual, the above symbol with the word “WARNING” indicates a hazardous situation which, if not avoided, can cause death or serious injury.

## SERIAL NUMBER

Please keep the serial number on file for warranty claims as well as proof of purchase.



## WARNING!

**WARNING:** Prolonged Exposure to UV Rays, Rain and the Elements  
May Damage the Enclosure Materials.  
Store Indoors When Not in Use.

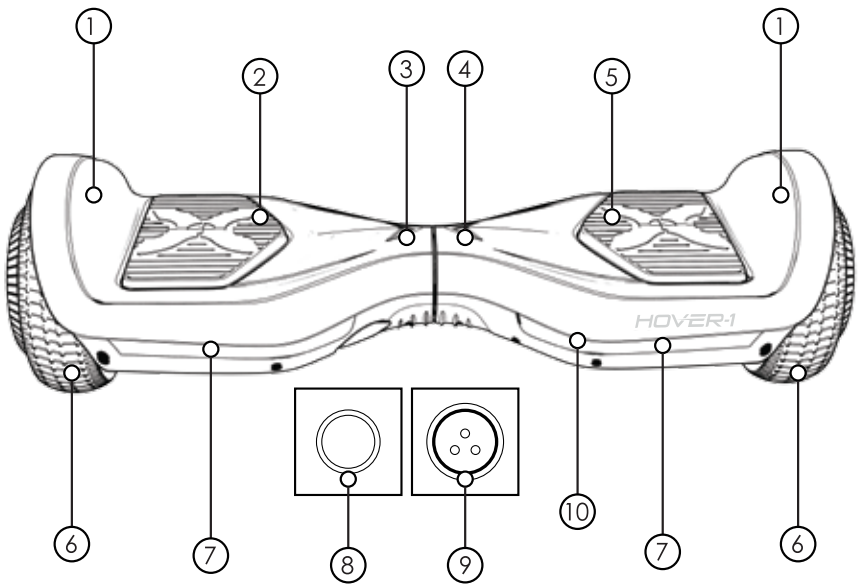
# INTRODUCTION

The Hover-1 Hoverboard is a personal transporter. Our technology and production processes are developed with strict testing for each Hoverboard scooter. Operating the Hoverboard without following the contents of this manual may lead to damage to your Hoverboard or bodily injury.

This manual is designed to give you the information you need for the safe operation and maintenance of your Hoverboard. Please read it thoroughly before riding your Hoverboard.

## PACKAGE CONTENTS

- Hover-1 Hoverboard Electric Scooter
- Wall Charger
- Operation Manual



## FEATURES/PARTS

- |                      |                                   |
|----------------------|-----------------------------------|
| 1. Fender            | 6. Tire                           |
| 2. Right Foot Mat    | 7. LED Light                      |
| 3. Battery Indicator | 8. Power Button (Located in rear) |
| 4. System Indicator  | 9. Charge Port (Located in rear)  |
| 5. Left Foot Mat     | 10. Protective Chassis Casing     |

## OPERATING PRINCIPALS

The Hoverboard uses digital electronic gyroscopes and acceleration sensors to control balance and motion, depending on the user's center of gravity. The Hoverboard also uses a control system to drive the motors that are located within the wheels. The Hoverboard has a built-in inertia dynamic stabilization system that can help assist with balance when moving forward and backwards, but not while turning.

TIP – To increase your stability, you must shift your weight in order to overcome the centrifugal force during turns, especially when entering a turn at higher speeds.

## WARNING

Any Hoverboard that does not work properly can cause you to lose control and fall. Inspect the entire Hoverboard thoroughly before every ride, and do not ride it until any problems have been corrected.

## SPECIFICATIONS

Model:	Hover-1™ Hoverboard (H1-ST-CMB)
Net Weight:	15.84 lbs (7.2kg)
Load:	44-220 lbs (20-100 kg)
Max Speed:	Up to 7 mph (11.26 km/h)
Max Distance Range:	Up to 6 miles (9.65 km)
Max Incline Angle:	10 degree
Minimum Turning Radius:	0°
Charge Time:	Up to 5 hours
Battery Type:	Lithium-ion
Battery Voltage:	25.2 V
Battery Capacity:	4.0Ah
Power Requirement:	AC 100-240V, 50/60 Hz
Ground Clearance:	1.5 Inches (3.81 cm)
Platform Height:	4.5 Inches (11.43 cm)
Tire Type:	Non-Pneumatic Solid Tires

# CONTROLS AND DISPLAY

**PLEASE READ THE FOLLOWING INSTRUCTIONS CAREFULLY**

## **TURNING YOUR DEVICE ON/OFF**

**Power On:** Take your Hoverboard out of the box and place it flat on the floor. Press the power button (located on the rear of your Hoverboard) once. Check the LED indicator (located in the center of your Hoverboard). The battery indicator light should be lit, indicating the Hoverboard is powered on.

**Power Off:** Press the power button once.

## **MAT SENSOR**

There are four sensors under the foot mats on your Hoverboard.

When riding the scooter, you must ensure you are stepping on the foot mats. Do not step or stand on any other area of your scooter.

The Hoverboard may vibrate or spin in one direction, if weight and pressure are applied to only one foot mat.

## **BATTERY INDICATOR**

The display board is located in the middle of the Hoverboard.

- Green LED light indicates the hoverboard is fully charged.
- Red flashing LED light and beeping indicates low battery.
- Yellow light indicates the board is charging.

When the LED light turns red, please recharge the Hoverboard.

## **SYSTEM INDICATOR**

When the operator triggers the foot mats, the System Indicator LED will light up, which means that the system enters the running state.

When the system has an error during operation, the running LED light will turn red (for more details see SAFETY ALERTS).



# BEFORE RIDING

It is important that you fully understand all elements of your Hoverboard. If these elements are not used correctly, you will not have full control of your Hoverboard. Before you ride, learn the functions of the various mechanisms on your scooter.

Practice using these elements of your Hoverboard at slower speeds in a flat, open area before taking the Hoverboard out in public areas.

## PRE-RIDE CHECKLIST

Ensure that your Hoverboard is in proper working order each and every time you ride. If a part of the scooter does not function correctly, please contact our Customer Support Center.

### **WARNING**

Any Hoverboard that does not work properly can cause you to lose control and fall. Do not ride a Hoverboard with a part that is damaged; replace the damaged part before riding.

- Ensure the battery is fully charged before riding your scooter.
- Ensure that the screws on the front and back tires are locked firmly before each ride.
- Please wear all appropriate safety and protective gear as previously mentioned in the User Manual before operating your Hoverboard.
- Make sure to wear comfortable clothes and flat closed-toe shoes when operating your Hoverboard.
- Please carefully read the User Manual, which will assist in explaining the basic working principles and provide tips on how to best enjoy your experience.

# SAFETY PRECAUTIONS

Different localities and countries have different laws governing riding on public roads, and you should check with local officials to ensure you are complying with these laws.

Hover-1 is not liable for tickets or violations given to riders who do not follow local laws and regulations.

- For your safety, always wear a helmet that meets CPSC or CE safety standards. In the event of an accident, a helmet can protect you from serious injury and in some cases, even death.
- Obey all local traffic laws. Obey red and green lights, one-way streets, stop signs, pedestrian crosswalks, etc.
- Ride with traffic, not against it.
- Ride defensively; expect the unexpected.
- Give pedestrians the right-of-way.
- Do not ride too close to pedestrians and alert them if you intend to pass them from behind.
- Slow down at all street intersections and look to the left and right before crossing.

Your Hoverboard is not equipped with reflectors. It is not recommended that you ride in conditions of low visibility.

## **WARNING**

When you ride in low-visibility conditions such as fog, dusk, or night, you might be difficult to see, which could lead to a collision. In addition to keeping your headlight on, wear bright, reflective clothing when riding in poor lighting conditions.

Think about safety when you ride. You can prevent many accidents if you think about safety. Below is a helpful checklist for Compact riders.

## SAFETY CHECKLIST

- Do not ride above your skill level. Ensure you have had enough practice with all functions and features of your Hoverboard.
- Before stepping on your Hoverboard, make sure it is placed flat on level ground, the power is on, and the System Indicator light is green. Do not step on if the System Indicator light is red.
- Do not try to open or modify your Hoverboard. Doing so, voids the manufacturer warranty and may cause your Hoverboard to fail, resulting in injury or death.
- Do not use the Hoverboard in a manner that would put people or property in danger.
- If riding near others, keep a safe distance to avoid collision.
- Be sure to keep your feet on the pedals at all times. Moving your feet off your Hoverboard while driving is dangerous and may cause the Hoverboard to stop or veer sideways.
- Do not operate the Hoverboard while under the influence of drugs and/or alcohol.
- Do not operate the Hoverboard when you are restless or sleepy.
- Do not ride your Hoverboard off of curbs, ramps, or attempt to operate in a skate park, empty pool, or in any way similar to a skateboard or scooter. The Hoverboard IS NOT A SKATEBOARD. Misuse of your Hoverboard, voids the manufacturer warranty and may lead to injury or damage.
- Do not continuously spin in place, it will cause dizziness and increases risk of injury.
- Do not abuse your Hoverboard, doing so can damage your unit and cause failure to the operating system leading to injury. Physical abuse, including dropping your Hoverboard, voids the manufacturer warranty.
- Do not operate in or near puddles of water, mud, sand, stones, gravel, debris or near rough and rugged terrain.
- The Hoverboard can be used on paved surfaces that are flat and even. If you encounter uneven pavement, please lift your Hoverboard over and past the obstruction.

- Do not ride in inclement weather: snow, rain, hail, sleet, on icy roads or in extreme heat or cold.
- Bend your knees when riding on bumpy or uneven pavement to absorb the shock and vibration and help you keep your balance.
- If you are unsure if you can safely ride on a specific terrain, step off and carry your Hoverboard. ALWAYS BE ON THE SIDE OF CAUTION.
- Do not attempt to ride over bumps or objects greater than ½ in. even when prepared and bending your knees.
- PAY ATTENTION - look at where you are riding and be conscious of the road conditions, people, places, property and objects around you.
- Do not operate the Hoverboard in crowded areas.
- Operate your Hoverboard with extreme caution when indoors, especially around people, property, and narrow spaces.
- Do not operate the Hoverboard while talking, texting, or looking at your phone.
- Do not ride your Hoverboard where it is not permitted.
- Do not ride your Hoverboard near motor vehicles or on public roads.
- Do not travel up or down steep hills.
- The Hoverboard is intended for use by a single individual, DO NOT attempt to operate the Hoverboard with two or more people.
- Do not carry anything while riding the Hoverboard.
- Individuals with lack of balance should not attempt to operate the Hoverboard.
- Pregnant women should not operate the Hoverboard.
- This device is recommended for riders ages 15 and older.
- At higher speeds, always take into consideration longer stopping distances.
- Do not step forward off of your Hoverboard.

- Do not attempt to jump on or off your Hoverboard.
- Do not attempt any stunts or tricks with your Hoverboard.
- Do not ride the Hoverboard in dark or poorly lit areas.
- Do not ride the Hoverboard off road, near or over potholes, cracks or uneven pavement or surfaces.
- Keep in mind that you are 4.5 inches (11.43 cm) taller when operating the Hoverboard. Make sure to go through doorways safely.
- Do not turn sharply, especially at high speeds.
- Do not step on the fenders of the Hoverboard.
- Avoid driving the Hoverboard in unsafe places, including near areas with flammable gas, steam, liquid, dust or fiber, which could cause fire and explosion accidents.
- Before riding, ensure that tires are in good condition and have sufficient tread remaining.
- Do not operate near swimming pools or other bodies of water.

 **WARNING:**

To reduce the risk of injury, adult supervision is required. Never use in roadways, near motor vehicles, on or near steep inclines or steps, swimming pools or other bodies of water; always wear shoes, and never allow more than one rider.

# RIDING YOUR Hoverboard

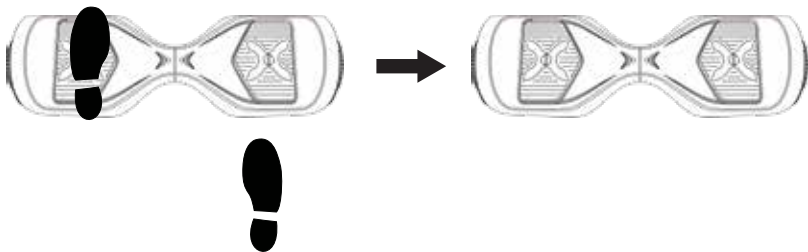
**FAILURE TO FOLLOW ANY OF THE FOLLOWING SAFETY PRECAUTIONS CAN AND MAY LEAD TO DAMAGE TO YOUR HOVERBOARD, VOID YOUR MANUFACTURER WARRANTY, LEAD TO PROPERTY DAMAGE, CAUSE SERIOUS BODILY INJURY, AND CAN LEAD TO DEATH.**

Before using your Hoverboard, be sure to familiarize yourself with the operating procedures.

## OPERATING YOUR HOVERBOARD

Make sure the Hoverboard is fully charged before initial use. For charging instructions, please follow details under CHARGING YOUR HOVERBOARD.

Stand directly behind your Hoverboard and place one foot on the corresponding foot mat (as described in the diagram below). Keep your weight on the foot which is still on the ground, otherwise the Hoverboard may begin to move or vibrate, making it difficult to step on evenly with your other foot. When you are ready, shift your weight to the foot already placed on the Hoverboard and step on with your second foot quickly and evenly (as described in the diagram below).



## NOTES:

Stay relaxed and step on quickly, confidently and evenly. Imagine climbing stairs, one foot, then the other. Look up once your feet are even. The Hoverboard may vibrate or spin in one direction, if weight and pressure are applied to only one foot mat. THIS IS NORMAL.

Find your center of gravity. If your weight is distributed correctly on the foot mats and your center of gravity is level, you should be able to stand on your Hoverboard just as if you were standing on the ground.

On average, it takes 3-5 minutes just to get comfortable standing on your Hoverboard and maintaining proper balance. Having a spotter will help you feel more secure. The Hoverboard is an incredibly intuitive device; it senses even the slightest bit of motion, so having any anxiety or reservation about stepping on may cause you to panic and trigger unwanted movement.

When you first begin using your Hoverboard, the fastest way to move in your desired direction is to focus in that direction. You will notice that just thinking about which way you would like to go will shift your center of gravity, and that subtle movement will propel you in that direction.

Your center of gravity determines which direction you move, accelerate, decelerate, and come to a complete stop. As described in the diagram below, tilt your center of gravity in the direction you wish to move.

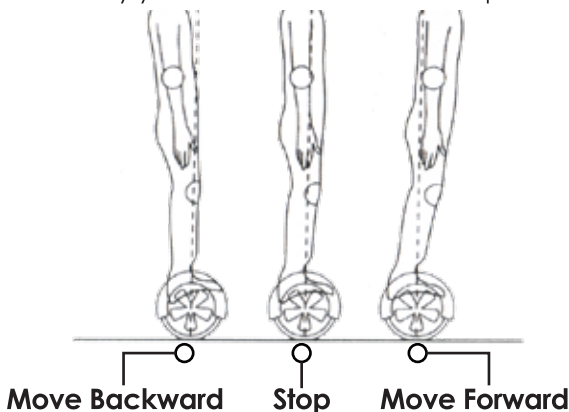
To turn, focus on the direction you wish to turn and stay relaxed.

## **WARNING**

Do not turn sharply or at high speeds to avoid danger. Do not turn or ride quickly along slopes, as it may cause injury.

As you get comfortable on the Hoverboard, you will notice it becomes easier to maneuver. Remember at higher speeds, it is necessary to shift your weight to overcome the centrifugal force.

Bend your knees if you encounter bumps or uneven surfaces, then dismount and carry your Hoverboard to a safe operating surface.

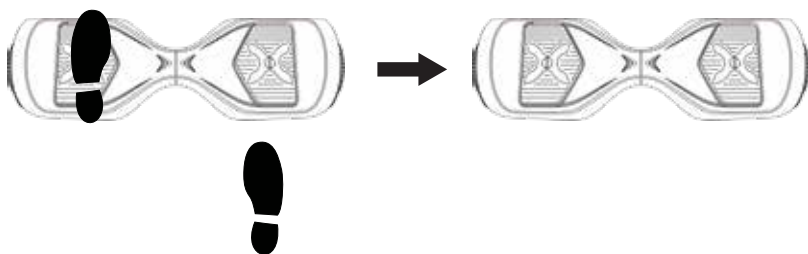




## NOTES:

Try staying relaxed and focus on finding your center of gravity to maintain full control of your Hoverboard.

Dismounting your Hoverboard can be one of the easiest steps, yet when done incorrectly, may cause you to fall. To properly dismount, from a stopped position, lift one leg up and set your foot back down on the ground (STEPPING BACK). Then step off completely as described in the following diagram.



## WARNING

Make sure to lift your feet completely off the foot mat to clear the Hoverboard when stepping back to dismount. Failure to do so may send the Hoverboard into a tailspin.

### WEIGHT AND SPEED LIMITATIONS

Speed and weight limits are set for your own safety. Please do not exceed the limits listed here in the manual.

- Maximum Weight: 220 lbs
- Minimum Weight: 44 lbs
- Maximum Speed: Up to 7 mph



## **WARNING**

Overweight exertion on the Hoverboard may increase possibility of injury or product damage.

## **NOTES:**

To prevent injury, when max speed is reached, the Hoverboard will beep to alert the user and tilt the rider slowly back.

### **OPERATING RANGE**

The Hoverboard can travel a distance up to 6 miles on a fully charged battery in ideal conditions. The following are some of the major factors that will affect the operating range of your Hoverboard.

- **Terrain:** Riding distance is highest when riding on a smooth, flat surface. Riding uphill and/or on rough terrain will reduce distance significantly.
- **Weight:** A lighter user will have further range than a heavier user.
- **Ambient temperature:** Please ride and store the Hoverboard under recommended temperatures, which will increase riding distance, battery life, and overall performance of your Hoverboard.
- **Speed and Riding Style:** Maintaining a moderate and consistent speed while riding produces maximum distance. Traveling at high speeds for extended periods, frequent starts and stops, idling and frequent acceleration or deceleration will decrease overall distance.

## **BALANCE & CALIBRATION**

**If your Hoverboard is unbalanced, vibrating, or not turning properly, you can follow the below steps to calibrate it.**

- First, place the Hoverboard on a flat, horizontal surface such as the floor or a table. The foot mats should be even with each other and not tilted forward or backward. Make sure the charger is not plugged in and the board is turned off.
- Press and hold the ON/OFF button for a total of 15 seconds. The scooter will turn on, lighting the battery indicator on the board.
- After the light flashes 5 times consecutively you may release the ON/OFF button.
- Turn the board off and then turn the board back on. Calibration will now be completed.

# SAFETY ALERTS

While riding your Hoverboard, if there is a system error or improper operation performed, the Hoverboard will prompt the user in a variety of ways.

You will notice the Running Indicator Light will turn RED and you will hear a beep sound alerting you to take precaution and cease operation, which may make the device stop suddenly.

The following are common occurrences where you will hear the Safety Alerts. These notices should not be ignored, but appropriate action should be taken to correct any illegal operation, failure or errors.

- Unsafe riding surfaces (uneven, too steep, unsafe, etc.)
- When you step on the Hoverboard, if the platform is tilted more than 10 degrees forward or backward.
- Battery voltage is too low.
- The Hoverboard is still charging.
- During operation, the platform self initiates to tilt due to excess speed.
- Overheating, or motor temperature is too high.
- The Hoverboard has been rocking back and forth for over 30 seconds.
- If the system enters protection mode, the alarm indicator will light up and the board will vibrate. This typically occurs when the battery is about to run out of power.
- **If the platform is tilted forward or backward more than 10 degrees, your Hoverboard will power off and stop suddenly, possibly causing the rider to lose balance or fall off.**
- If any or both tires are blocked, the Hoverboard will stop after 2 seconds.
- When the battery level has depleted below protection mode, the Hoverboard engine will power off and stop after 15 seconds.
- While sustaining a high discharge current during use (such as

driving up a steep slope for a long period of time), the Hoverboard engine will power off and stop after 15 seconds.

## **WARNING**

When the Hoverboard turns off during a Safety Alert, all operation systems will halt. Do not continue attempting to ride the Hoverboard when the system initiates a stop. Turn your Hoverboard off and back on to unlock it from a Safety Lock.

## **CHARGING YOUR Hoverboard**

### **CHARGING THE Hoverboard**

- Ensure that the charging port is clean and dry.
- Make sure that there is no dust, debris or dirt inside the port.
- Plug the charger into a grounded wall outlet. The charging indicator light **ON THE CHARGER** will be green.
- Connect the cable with the power supply (100V ~ 240V; 50/60 Hz).
- Align and connect the 3-pin charging cable into the charging port of the Hoverboard. **DO NOT FORCE THE CHARGER INTO THE CHARGE PORT, AS THIS MAY CAUSE THE PRONGS TO BREAK OFF OR PERMANENT DAMAGE TO THE CHARGE PORT.**
- Once attached to the board, the charging indicator light **ON THE CHARGER** should change to **RED**, indicating that your device is now being charged.
- When the **RED** indicator light on your charger turns to **GREEN**, then your Hoverboard is fully charged.
- A full charge may take up to 5 hours. While charging, you will see a yellow flashing light on the scooter, which also indicates charging. Do not charge for more than 6 hours.
- After fully charging your Hoverboard, unplug the charger from your Hoverboard and from the power outlet.

# BATTERY CARE / MAINTENANCE

## BATTERY SPECIFICATIONS

Battery Type: Rechargeable lithium-ion battery

Charge Time: Up to 5 hours

Voltage: 25.2V

Initial Capacity: 4.0 Ah

## BATTERY MAINTENANCE

The lithium-ion battery is built into the Hoverboard.

Do not disassemble the Hoverboard to remove the battery or attempt to separate it from the Hoverboard.

- Use only the charger and charging cable supplied by Hover-1. Use of any other charger or cable may lead to damage to the product, overheating and risk of fire. Use of any other charger or cable voids the manufacturer warranty.
- Do not connect or attach the Hoverboard or the battery to a power supply plug or directly to a car's cigarette lighter.
- Do not place the Hoverboard or batteries near a fire, or into direct sunlight. Heating the Hoverboard and/or the battery can cause additional heating, breaking, or ignition of the battery inside the Hoverboard.
- Do not continue charging the battery if it does not recharge within the specified charging time. Doing so may cause the battery to become hot, rupture, or ignite.

To preserve natural resources, please recycle or dispose of batteries properly. This product contains lithium-ion batteries. Local, state, or federal laws may prohibit disposal of lithium-ion batteries in ordinary trash. Consult your local waste authority for information regarding available recycling and/or disposal options.

## WARNING

Failure to follow the safety precautions listed below could lead to serious bodily injury and/or death.

- Do not attempt to modify, change, or replace your battery.

- Use only the charger and charging cable supplied by Hover-1. Use of any other charger or cable may lead to damage to the product, overheating and risk of fire. Use of any other charger or cable voids the manufacturer warranty.
- Do not use your Hoverboard if the battery begins to emit odor, overheats, or begins to leak.
- Do not touch any leaking materials or breathe fumes emitted.
- Do not allow children and animals to touch the battery.
- The battery contains dangerous substances, do not open the battery, or insert anything into the battery.
- Only use the charger provided by Hover-1.
- Do not attempt to charge the Hoverboard if the battery has discharge or emits any substances. In that case, immediately distance yourself from the battery in case of fire or explosion.
- Lithium-ion batteries are considered to be hazardous materials. Please follow all local, state and federal laws in regards to recycling, handling and disposing of Lithium-ion batteries.

 **WARNING**

SEEK IMMEDIATE MEDICAL ASSISTANCE IF  
YOU ARE EXPOSED TO ANY SUBSTANCE  
THAT IS EMITTED FROM THE BATTERY.

# CARE & MAINTENANCE

- Do not expose the Hoverboard to liquid, moisture, or humidity to avoid damage to the product's internal circuitry.
- Do not use abrasive cleaning solvents to clean the Hoverboard.
- Do not expose the Hoverboard to extremely high or low temperatures as this will shorten the life of the electronic components, destroy the battery, and/or distort certain plastic parts.
- Do not dispose of the Hoverboard in fire as it may explode or combust.
- Do not expose the Hoverboard to contact with sharp objects as this will cause scratches and damage.
- Do not allow the Hoverboard fall from high places, as doing so may damage the internal circuitry.
- Do not attempt to disassemble the Hoverboard.
- Use only the charger provided by Hover-1.

## **WARNING**

Avoid using water or other liquids for cleaning. If water or other liquids enter the Hoverboard, it will cause permanent damage to the internal components.

## **WARNING**

Users who disassemble the Hoverboard scooter without permission will void the warranty.

# WARRANTY

For warranty information, Please visit us at:  
[www.hover-1.com](http://www.hover-1.com)

Affix Serial Number Label Here:



@RideHover1



@RideHover1



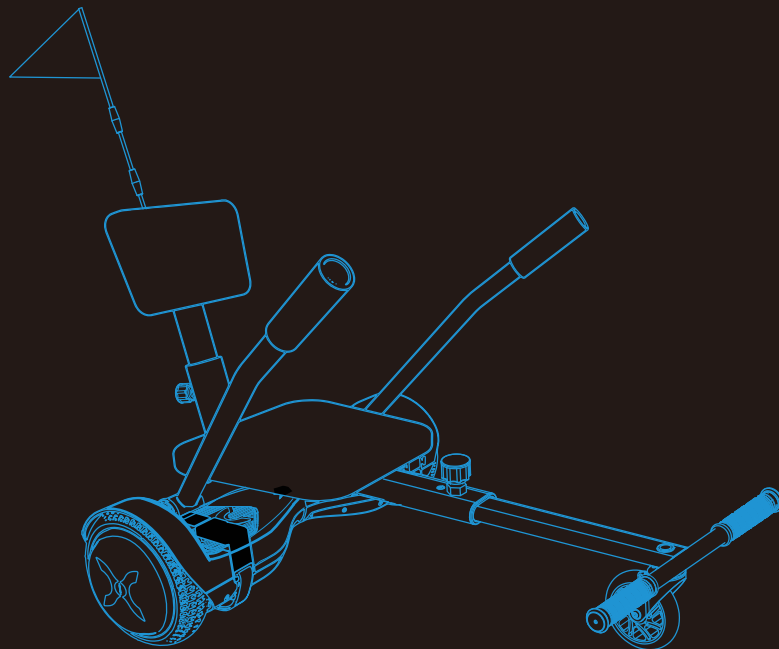
@RideHover1



[www.Hover-1.com](http://www.Hover-1.com)



**X** **HOVER-1™** **GO-KART**  
ELECTRIC SCOOTER ACCESSORY





# HOVER-1™ GO-KART

ELECTRIC SCOOTER ACCESSORY



Operation Manual H1-ST-CMB Go-Kart

**IMPORTANT: KEEP FOR FUTURE REFERENCE**

*\*Images used in this manual may vary slightly from the product and are for reference purposes only.*

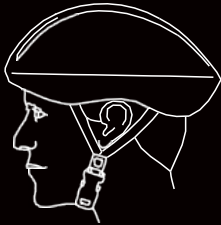


Even if you have ridden a scooter for years, it is important for you and every rider to read this manual before using this product.

 **WARNING**

# HELMETS SAVE LIVES!

Always wear a properly fitted helmet that complies with CPSC or CE safety standards when you ride your scooter.



**Correct Fitting:**  
Make sure your helmet  
covers your forehead.



**Incorrect Fitting:**  
Forehead is exposed and  
vulnerable to serious injury.

# INTRODUCTION

This manual is designed to give you the information you need for the safe operation and maintenance of your new Hover-1 Go-Kart. Please read it thoroughly before riding your Hover-1 Go-Kart.

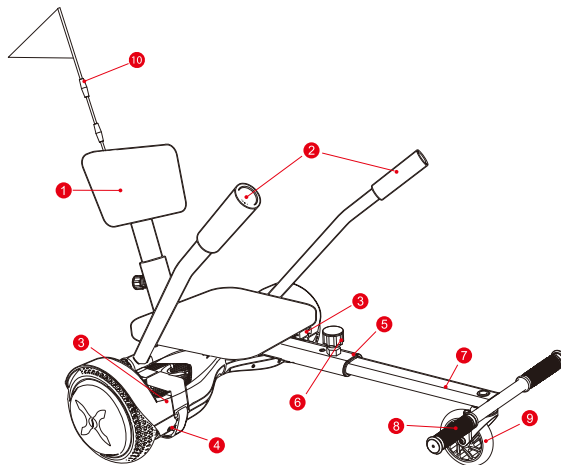
## WARNING

Make sure you read this complete manual before riding your Hover-1 Go-Kart. Failure to do so, or failure to follow its guidelines could lead to serious injury or death.

- Section One of this manual involves safety and Hover-1 Go-Kart care. Understanding and following this Information will help you and your Hover-1 Go-Kart avoid injury or damage.
- Section Two of this manual gives assembly and installation instructions for your Hover-1 Go-Kart.
- Section Three of this manual covers specific safety and operating instructions for your Hover-1 Go-Kart. Even if you are an experienced rider, you should review this section before your first ride.
- Section Four of this manual covers warranty specifications of your Hover-1 Kart.

# HOVER-1 GO-KART DIAGRAM

1. Adjustable Seat
2. Handle Bars
3. Pedal Mounts
4. Elastic Strap
5. Seat Frame
6. Twist Knob
7. Frame Extension
8. Foot Rests
9. Caster Wheel
10. Flag



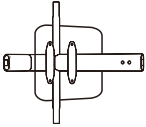
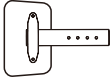
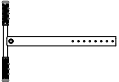
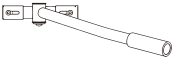
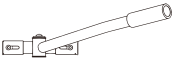
## SPECIFICATIONS


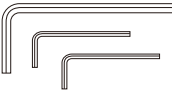
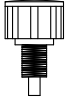



Compatibility:  
Max Load:  
Tire Size:  
Seat Material:

Most 6.5" scooters  
See max load of your scooter  
4" swivel caster  
PP

Please visit  
[www.hover-1.com/troubleshoot](http://www.hover-1.com/troubleshoot)  
to request missing  
or defective parts

# PARTS LIST

	(1) Seat Base+Seat Frame
	(1) Seat Back+Seat Back Frame
	(1) Frame extension
	(1) Right Handle Bar
	(1) Left Handle Bar

	(2) Strap with velcro (4) Spare strap with velcro
	Allen Wrench Set: (2) 5mm wheel change (1) 6mm seat frame assembly
	(2) Twist Knob
	(2) Large Screws
	(2) Large Washers
	(1) Flag Set

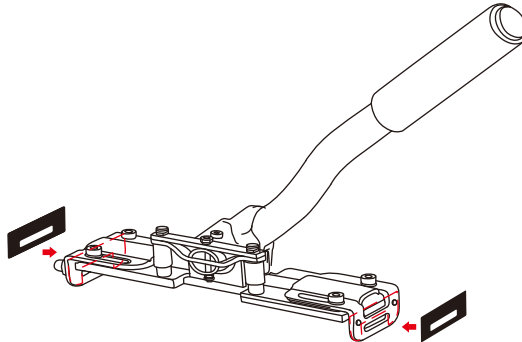
# ASSEMBLING YOUR HOVER-1 GO-KART

If you have questions or concerns about any of these steps, please feel free to contact our Customer Service Team at [www.hover-1.com](http://www.hover-1.com). Someone will be in touch to walk you through these steps.

Carefully follow the steps shown on the following pages for assembling the Hover-1 Go-Kart.

Remove all Hover-1 Go-Kart contents from the box. Ensure all contents from the "Parts List" section are accounted for.

1. Locate the 4 foam pads and both handle bars. Remove the adhesive backing from each foam pad and centralize to each side of the pedal mounts as shown below. Ensure all of the foam pads are properly adhered to pedal mounts.



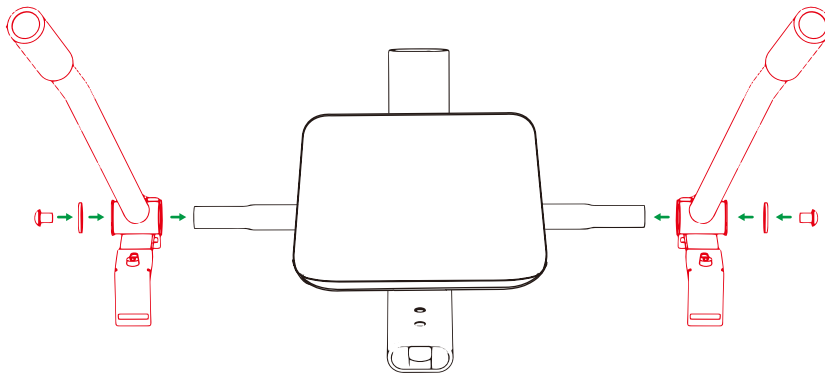
2. Using the two large screws and two large washers. Attach the handle bars to the appropriate sides of the seat frame as shown below. Tighten with included 6mm Allen wrench.

Please visit

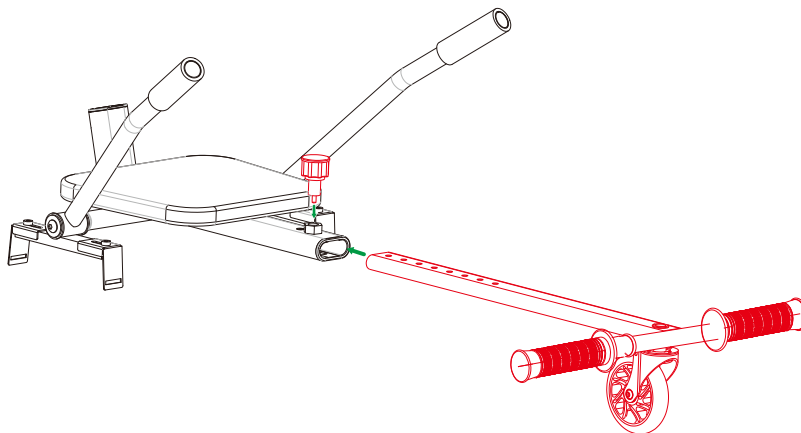
[www.hover-1.com/troubleshoot](http://www.hover-1.com/troubleshoot)

to request missing  
or defective parts

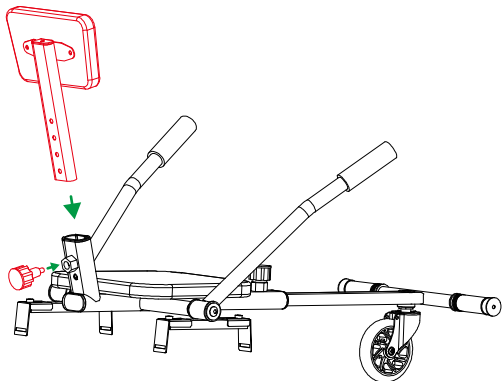




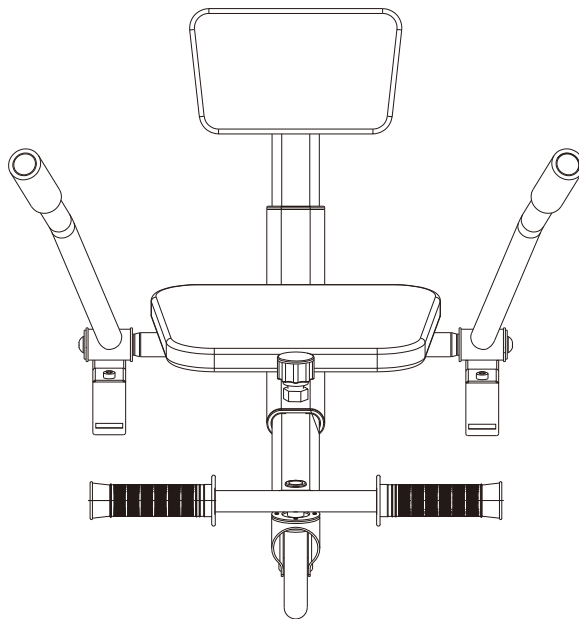
3. Insert the frame extension into the seat frame. Adjust to preferred length. Secure the frame extension in place using one twist knob.



4. Insert the seat back frame into the seat frame. Adjust to preferred length. Secure the seat back frame in place using one twist knob.



5. Your Hover-1 Go-Kart is now completely assembled and should look like the below image.



Please visit

[www.hover-1.com/troubleshoot](http://www.hover-1.com/troubleshoot)

to request missing  
or defective parts

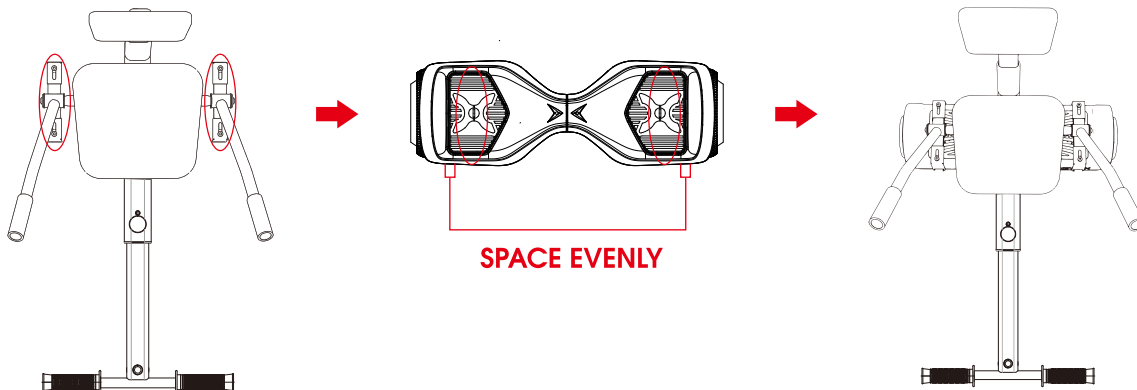
# INSTALLING YOUR HOVER-1 GO-KART

If you have questions or concerns about any of these steps, please feel free to contact our Customer Service Team at [www.hover-1.com](http://www.hover-1.com). Someone will be in touch to walk you through these steps.

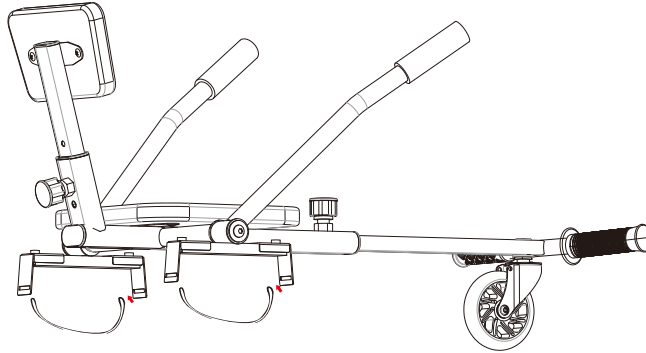
Carefully follow the steps shown on the following pages for installing the Hover-1 Go-Kart onto your electric scooter. Read the remainder of this manual before riding your Hover-1 Go-Kart.

Your Hover-1 Go-Kart should be completely assembled prior to installing it onto your electric scooter. Please refer to the "Assembling your Hover-1 Go-Kart" section for assembling procedures.

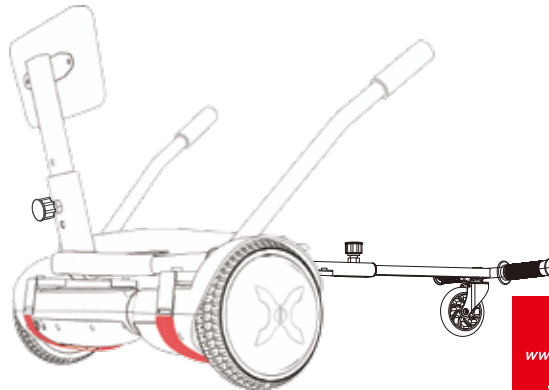
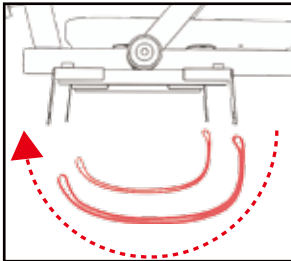
1. Place the pedal mounts onto the footpad sensors of your self-balancing scooter with the front wheel facing forward. Ensure the pedal mounts are centered on the footpad sensors of your scooter as much as possible.



2. Using two elastic straps. Attach one end of each strap to the hooks on front of each pedal mount.



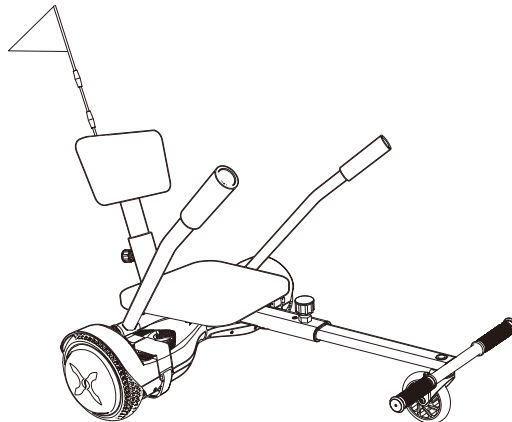
3. Wrap both elastic straps under your self-balancing scooter and attach the ends to the hooks on back of each pedal mount.



4. **WARNING:** Do not overtighten straps when you are assembling your go-kart to your scooter. Ensure that the go-kart is secure to the scooter when attaching. Ensure the foam pads are attached to the bottom of the pedal mounts so that the go-kart does not touch the footpad sensors on the scooter. See below diagram for correct fitting.



5. Your Hover-1 Go-Kart should be properly installed onto your scooter as shown below.



# BEFORE RIDING

## WARNING

Any scooter that does not work properly can cause you to lose control and fall. Inspect the entire device thoroughly before every ride, and do not ride it until any problems have been corrected.

### **HOVER-1 GO-KART OPERATION**

It is important that you fully understand all elements of your Hover-1 Go-Kart. If these elements are not used correctly, you will not have full control of your Hover-1 Go-Kart. Before you ride fast, or outside of a controlled environment, learn the functions of the various mechanisms on your Hover-1 Go-Kart.

Practice using the elements of your Hover-1 Go-Kart at slower speeds in a flat, open area before taking the Hover-1 Go-Kart to unfamiliar areas.

## WARNING

Do not ride a Hover-1 Go-Kart with a part that is damaged; replace the damaged part before riding.

# PRE-RIDE HOVER-1 GO-KART CHECKLIST

Ensure that your Hover-1 Go-Kart and scooter are in proper working order each and every time you ride. If a part of the Hover-1 Go-Kart does not function correctly, please contact our Customer Support Center.

- Ensure the battery of your scooter is fully charged before riding your Hover-1 Go-Kart.
- Ensure that the screws on the Hover-1 Go-Kart are tightly secured before each ride.
- Check to ensure the tires of your scooter are not worn.
- Check to ensure all connections are maintained on your scooter.

# SAFETY PRECAUTIONS

The first rule in safe riding is to use common sense. A Hover-1 Go-Kart is vulnerable; it cannot protect you in a crash, against impact, or loss of control the way driving a car can. A Hover-1 Go-Kart can tip over sideways or pitch you over the front wheel. It moves faster than a typical scooter. It does not have bumpers or airbags as a car does. This section is a guide of safe riding practices for operation. Make sure you are using your Hover-1 Go-Kart properly.

Different localities and countries have different laws governing riding on public roads, and you should check with local officials to ensure you are complying with these laws.

Hover-1 is not liable for tickets or violations given to riders who do not follow these regulations.

- For your safety, always wear a helmet that meets CPSC or CE safety standards. In the event of an accident, a helmet can protect you from serious injury and in some cases, even death.
- Obey all local laws, stop signs, pedestrian crosswalks, etc.
- If riding with friends and multiple Hover-1 Go-Karts, ride single file in a straight line.
- Have a satisfactory signaling device (bell, horn, etc.) to warn drivers and pedestrians of your approach.
- Ride defensively; expect the unexpected.
- Give pedestrians the right-of-way.
- Do not ride too close to pedestrians and alert them if you intend to pass them from behind.



- Slow down at all street intersections and look to the left and right before crossing.
- Obey all traffic signals.
- Always use proper hand signals for turning and stopping. Give signals 100ft before stopping or turning and always return both hands to the handle bars before stopping or turning.
- Watch for cars pulling out into traffic and for the sudden opening of car doors.
- Avoid potholes, drainage grates or other hazards.
- Be careful when riding on soft road edges, gravel, sand and uneven surfaces. Ride slowly and avoid quick turns when riding on these surfaces.
- Never hitch onto other vehicles.
- Do not "stunt" ride or race in traffic.
- Do not weave in and out of traffic or swerve from side to side.
- A crash can put extraordinary stress on Hover-1 Go-Kart components, possibly causing them to fatigue prematurely. Components suffering from stress fatigue can fail suddenly, causing loss of control or serious injury.

**CAUTION: RIDING IN WET WEATHER**

Brakes do not work as well under wet conditions as they do when dry. It is recommended that you do not ride your Hover-1 Go-Kart in wet weather, as there are electronic components of scooter that may be damaged if exposed to water.

1. This product is strictly forbidden to use on roads and highways, unless your local laws state otherwise. You must wear a safety helmet, knee and elbow pads and other necessary protective gear when riding your Hover-1 Go-Kart.
2. Due to the particularity of the product, the assembly pieces are to be checked before every ride to avoid an accident while riding.
3. Do not make a sharp turns as you may drift and overturn the Hover-1 Go-Kart which can result in injury to yourself and/or damage the unit.
4. Do not operate near swimming pools or other bodies of water.

 **WARNING:**

To reduce the risk of injury, adult supervision is required. Never use in roadways, near motor vehicles, on or near steep inclines or steps, swimming pools or other bodies of water; always wear shoes, and never allow more than one rider.

## RIDING YOUR HOVER-1 GO-KART

Ensure your Hover-1 Go-Kart is fully assembled and correctly installed onto your scooter with all straps and screws secured in place. Ensure your scooter is properly maintained as well. Failure to do so may result in serious bodily harm or death and damage to the unit.

After reviewing the pre-ride checklist, follow the steps below to begin riding your Hover-1 Go-Kart.

1. Turn on your scooter.
2. Sit comfortably in the Hover-1 Go-Kart seat.
2. Place your feet onto the foot rests.
3. Firmly grip both handle bars and slowly push them downward simultaneously to move forward.
4. When riding, slowly pull both handle bars upwards simultaneously to brake.
5. To reverse, slowly pull both handle bars upwards simultaneously.
6. To turn left, push the right handle bar down while holding the left handle bar in neutral position.
7. To turn right, push the left handle bar down while holding the right handle bar in neutral position.

# WARRANTY

For warranty information, Please visit us at:  
[www.hover-1.com](http://www.hover-1.com)