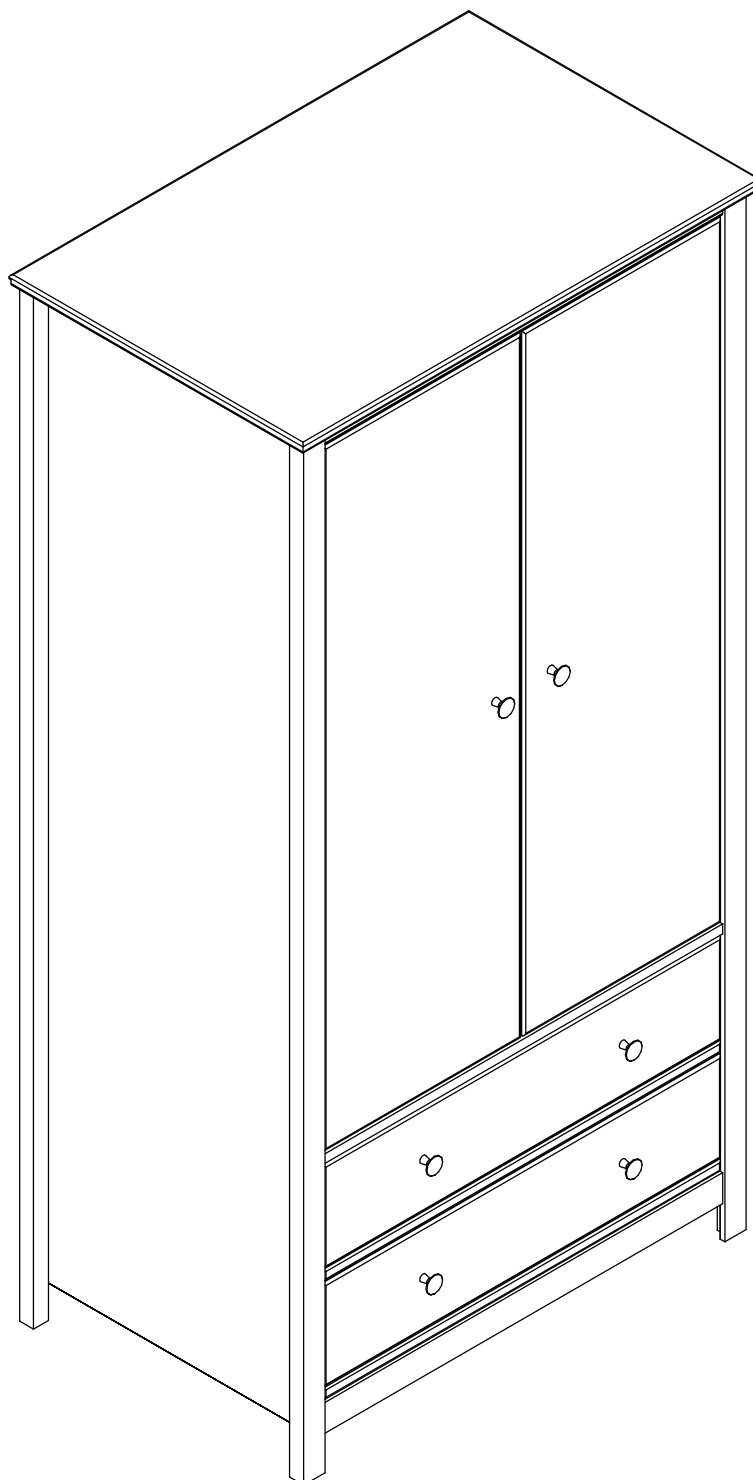


Brooklyn Wardrobe White

Assembly Instructions - Please keep for future reference

8106951



Dimensions

Length - 86cm
Depth - 55,0cm
Height - 170,1cm
Weight - 54,1kg

Important – Please read these instructions fully before starting assembly

If you need help or have damaged or missing parts, call the **Customer Helpline:**

0045 7668 8055 or e-mail: order@flexa.dk

Safety and Care Advice

Important – Please read these instructions fully before starting assembly

- Check you have all the components and tools listed on pages 2 and 3.
- Remove all fittings from the plastic bags and separate them into their groups.
- During assembly children should be kept away from the product due to possible risk of injury.
- Make sure you have enough space to layout the parts before starting.
- This product is suitable for children in the age range 3 to adult

- Do not stand or put weight on the product, this could cause damage.
- Assemble the item as close to its final position (in the same room) as possible.
- Assemble on a soft level surface to avoid damaging the unit or your floor.
- Parts of the assembly will be easier with 2 people.
- Do not use this item if any components are missing or damaged



- We do not recommend the use of power drill/drivers **for inserting screws**, as this could damage the unit. Only use hand screwdrivers.
- Dispose of all packaging carefully and responsibly.
- Assembly to be carried out by a competent adult only.

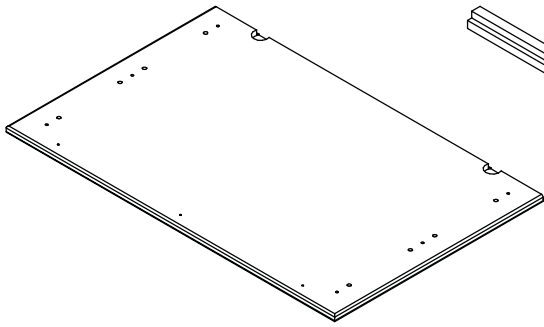
Care and maintenance

- Only clean using a damp cloth and mild detergent, do not use bleach or abrasive cleaners.
- Regularly check all fastenings to ensure that they properly tightened.
- This product should not be discarded with household waste. Take to your local authority waste disposal centre.
- This product is suitable for children in the age 4-12 years. Maximum load in each drawer 7 kg.

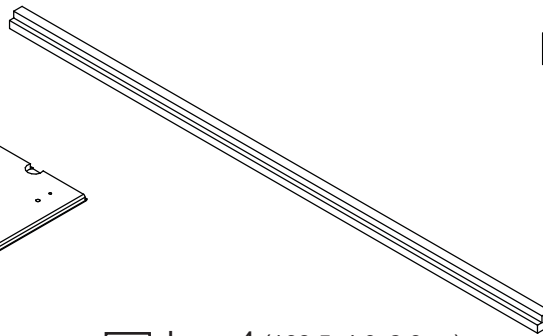
Components - Parts

If you have damaged or missing components, call the **Customer Helpline: 0045 7668 8055**

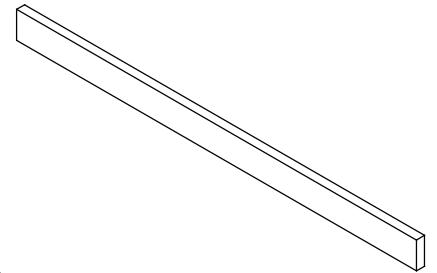
Please check you have all the parts listed below



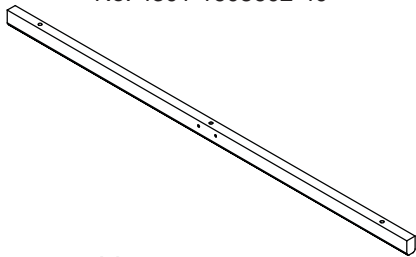
1 Top x1
(86.0x55.0x1.6cm)
No. 4301-1608602-40



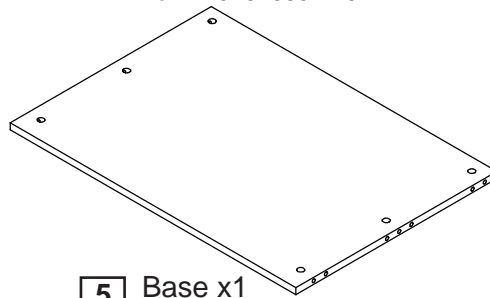
2 Leg x4 (168.5x4.0x2.6cm)
No. 12-02616851-20



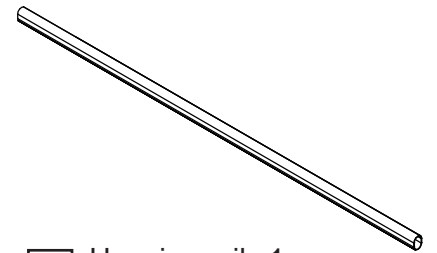
3 Plinth Straight x1
(74.8x5.0x1.5cm)
No. 12-01507484-40



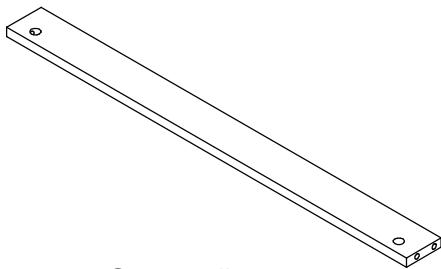
4 List x1
(74.8x2.5x1.5cm)
No. 12-01507483-20



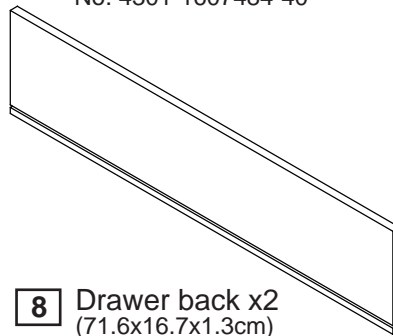
5 Base x1
(74.8x52.7x1.6cm)
No. 4301-1607484-40



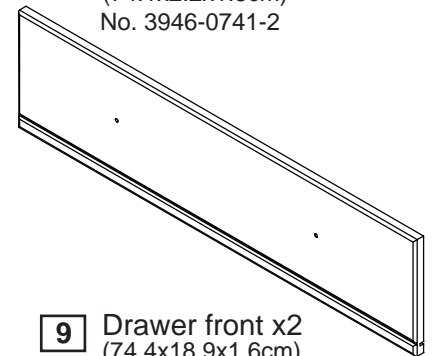
6 Hanging rail x1
(74.1x2.2x1.5cm)
No. 3946-0741-2



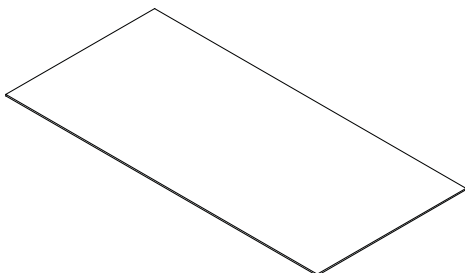
7 Cross rail x1
(74.8x6.5x1.5cm)
No. 12-01507482



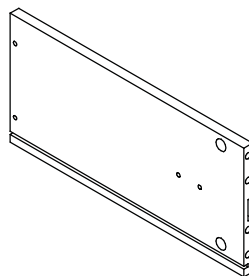
8 Drawer back x2
(71.6x16.7x1.3cm)
No. 15-01307161



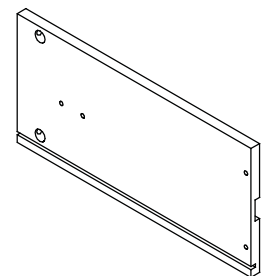
9 Drawer front x2
(74.4x18.9x1.6cm)
No. 4301-1607444-40



10 Drawer base x2
(72.8x34.8x0.3cm)
No. 4309-0307281



11 Drawer side Right x2
(35x16.7x1.3cm)
No. 15-01303503

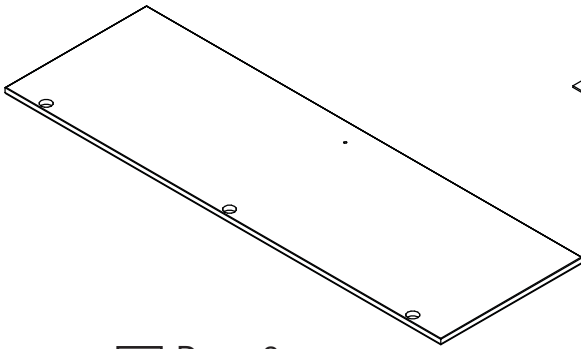


12 Drawer side Left x2
(35x16.7x1.3cm)
No. 15-01303504

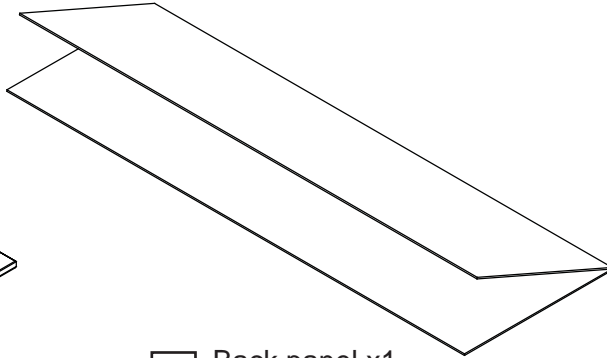
Components - Parts

If you have damaged or missing components,
call the **Customer Helpline: 0045 7668 8055**

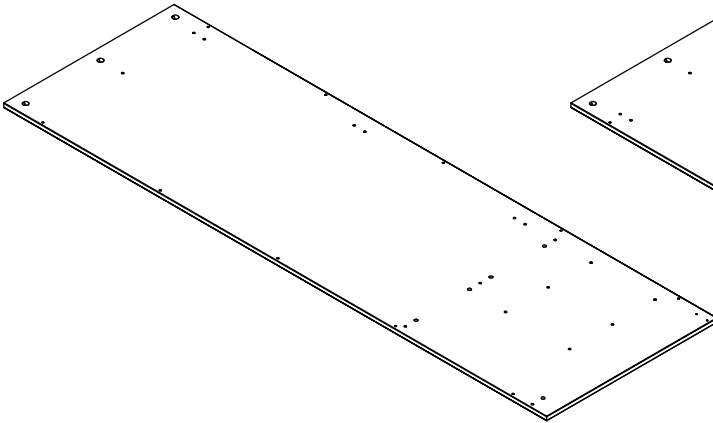
Please check you have all the parts listed below



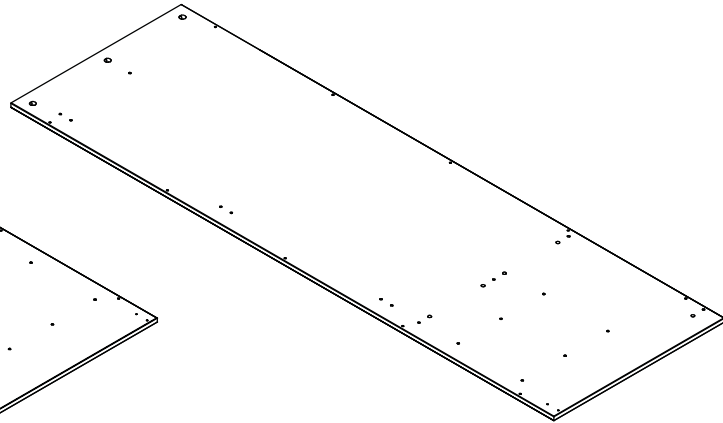
13 Door x2
(114.1x37x1.6cm)
No. 4301-1611411-40



14 Back panel x1
(119.8x77.2x0.3cm)
No. 4309-0311981



15 Side panel Right x1
(162.5x51.1x1.2cm)
No. 4301-1216253-40

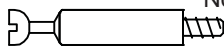

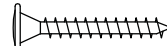
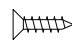
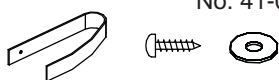

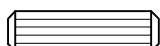

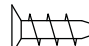

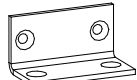
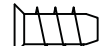
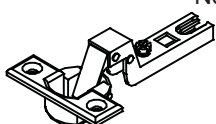
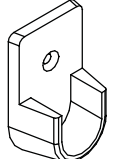
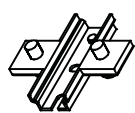
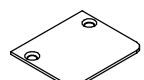
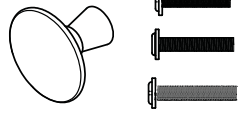
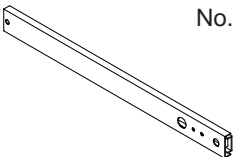
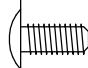


16 Side panel Left x1
(162.5x51.1x1.2cm)
No. 4301-1216254-40

Components - Fittings

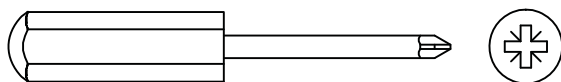
Please check you have all the fittings listed below

Note: The quantities below are the correct amount to complete the assembly. In some cases more fittings may be supplied than are required.

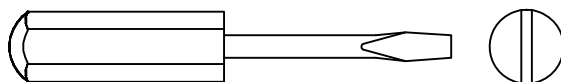
A  No. 4020-007 7x34mm for ø5 Minifix bolt x22	B  No. 3933-15010 ø15x9.5mm Minifix cam x22	C  No. 3903-40030 4.0x30mm Chipboard screw x20
D  No. 3901-30012 3.0x12mm Chipboard screw x2	E  No. 41-00179 Overbalance protector x2	F  No. 4022-004 1.6x16mm Nail square x48
G  No. 3930-08030 8x30mm Dowel x26	H  No. 3901-35015 3.5x15mm Chipboard screw x14	i  No. 3907-42010 ø4.2x9.5mm Euro screw x8
J  No. 3901-35035 3.5x35mm Chipboard screw x11	K  No. 4008-112 44x23x23 Angle x2	L  No. 3907-58008 ø5.8x8mm Euro screw x12
M  No. 4015-007 Ø26 mm Cup hinge x6	N  No. 4038-003-2 Hanging rail fitting x2	O  No. 4015-008 Mounting plate x6
P  No. 4008-113 35x40mm Mending plate x1	Q  No. 4001-034 ø27x24mm Knob + M4 screws x6	R  No. 4010-027 310x27x10mm Drawer slide x4
S  No. 3912-04009 ø9.5/M4x9mm Machine screw x4		

Tools required

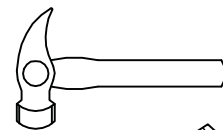
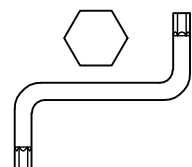
Phillips
screwdriver
(medium)



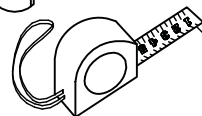
Flatblade
screwdriver
(medium)



Allen key
4mm incl.
No. 4033-004



Small
hammer



Ruler/tape
measure



Eye protection
(when using a
hammer or glue)

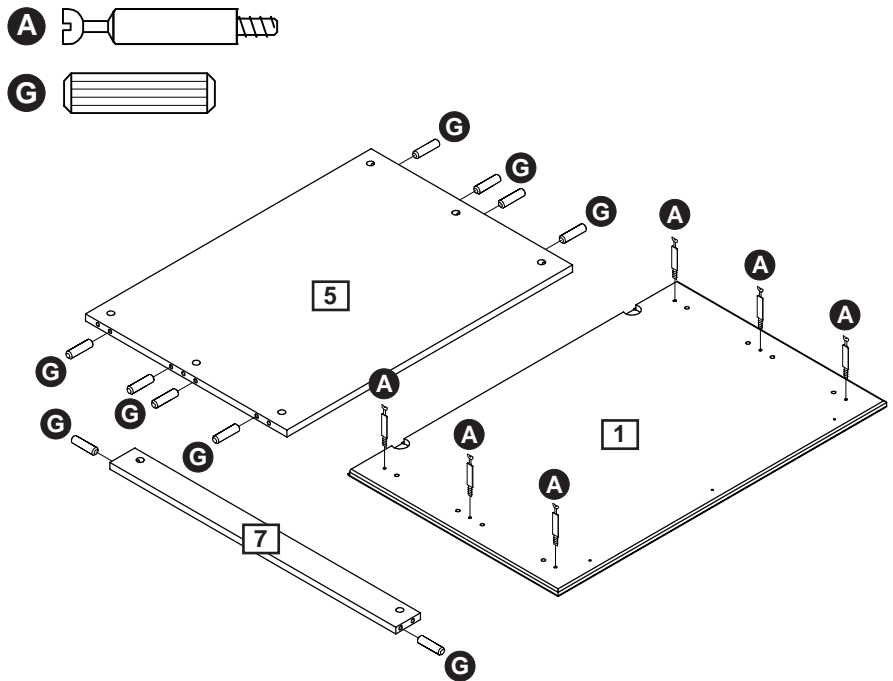
Assembly Instructions

Step 1

Insert the dowels **G** to the holes in base **5** and into the holes in cross rail **7**.

It may be necessary to tap the dowels in very gently with a small hammer.

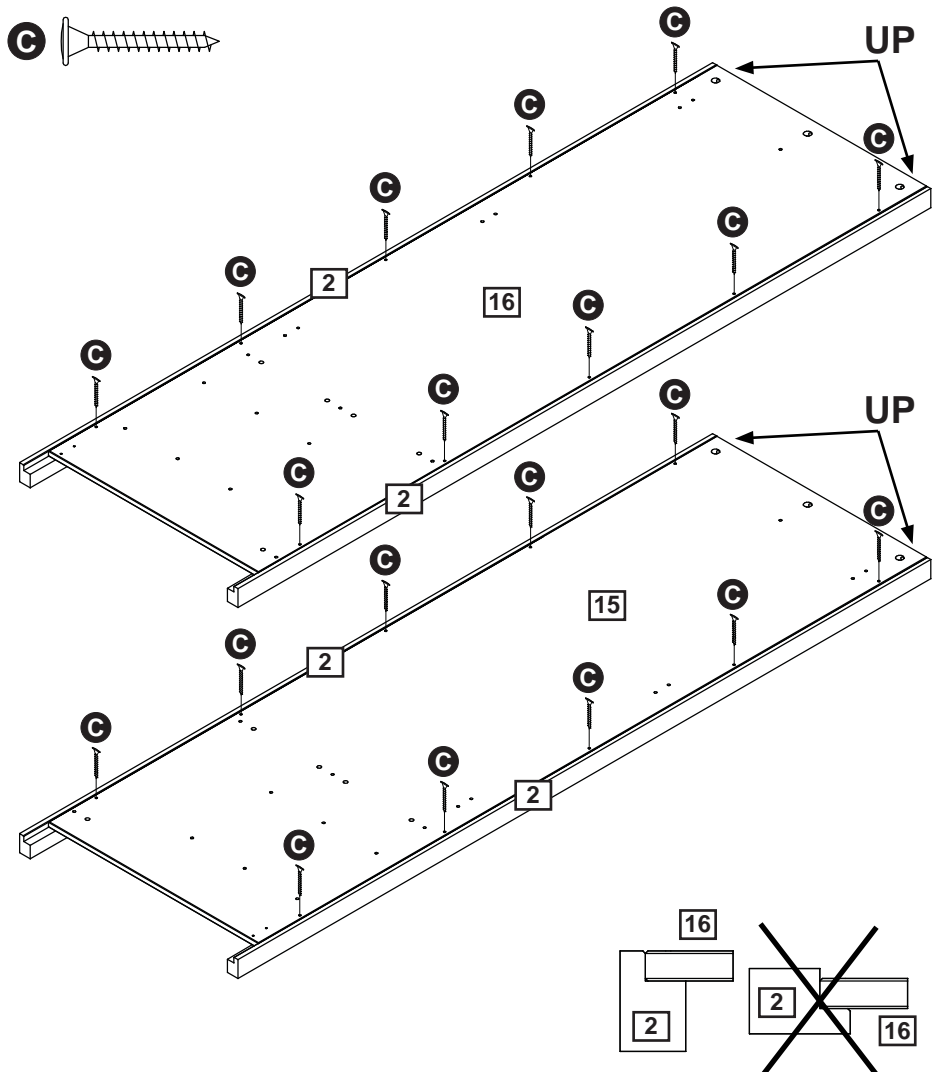
Attach minifix bolts **A** to top panel **1**.



Step 2

Attach the side panels **15** and **16** to the legs **2** using screws **C**.

Make sure the top of the side panel is flush with the legs and there are no gaps between the side panel and the edge of the groove in the legs.



Assembly Instructions

Step 3

Insert the dowels **G** to the holes in the side panels **15** and **16**.

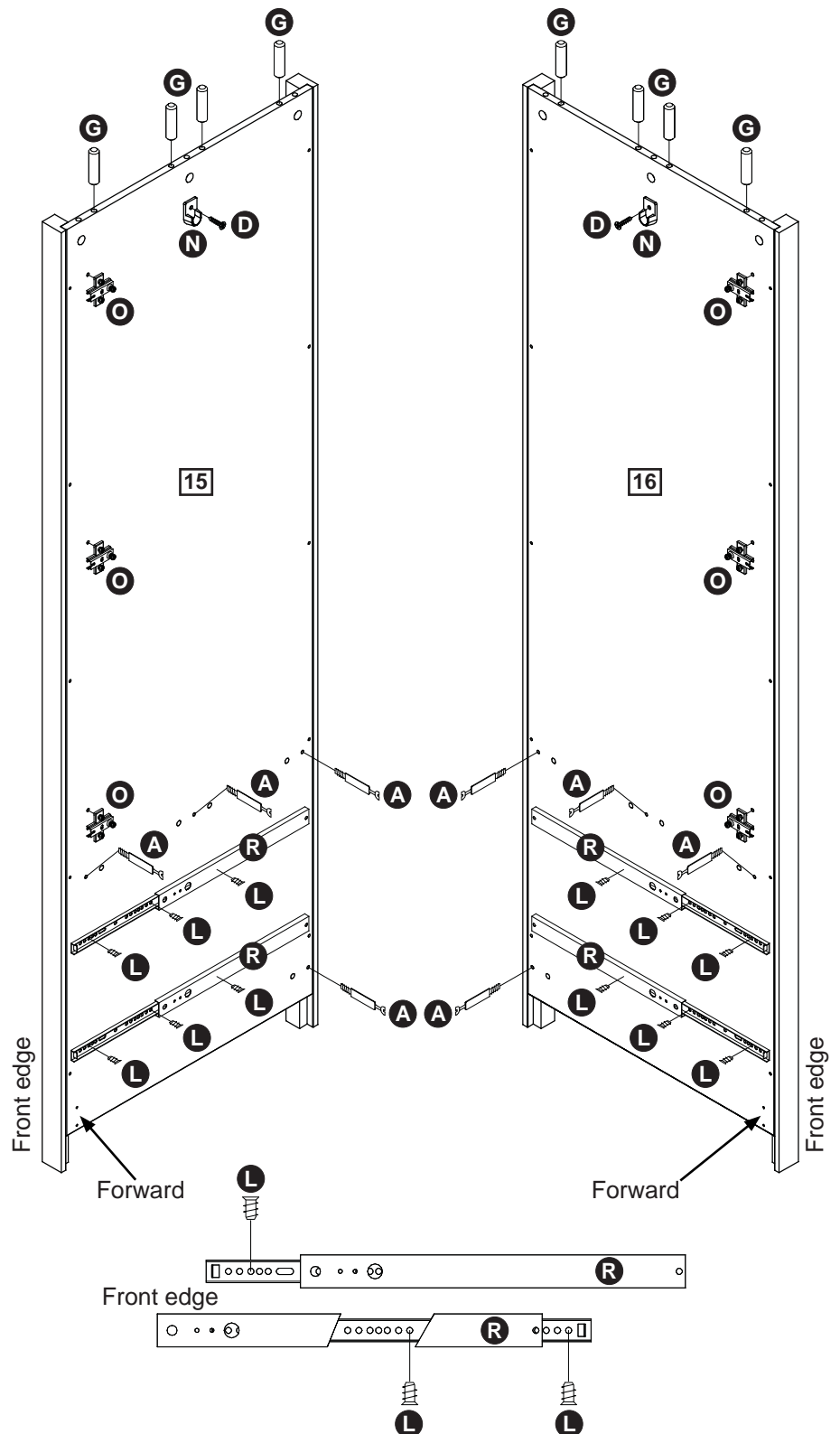
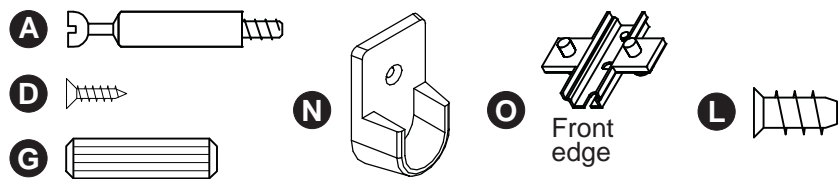
Attach minifix bolts **A** to the side panels **15** and **16**.

Attach the hanging rail fittings **N** to the side panels **9** and **10** with screws **D**.

Attach the hinge mounting plates **O** to the side panels **15** and **16**.

Attach the drawer runners **R** to the side panels **15** and **16** with euro screws **L**.

Be aware of the front edge!

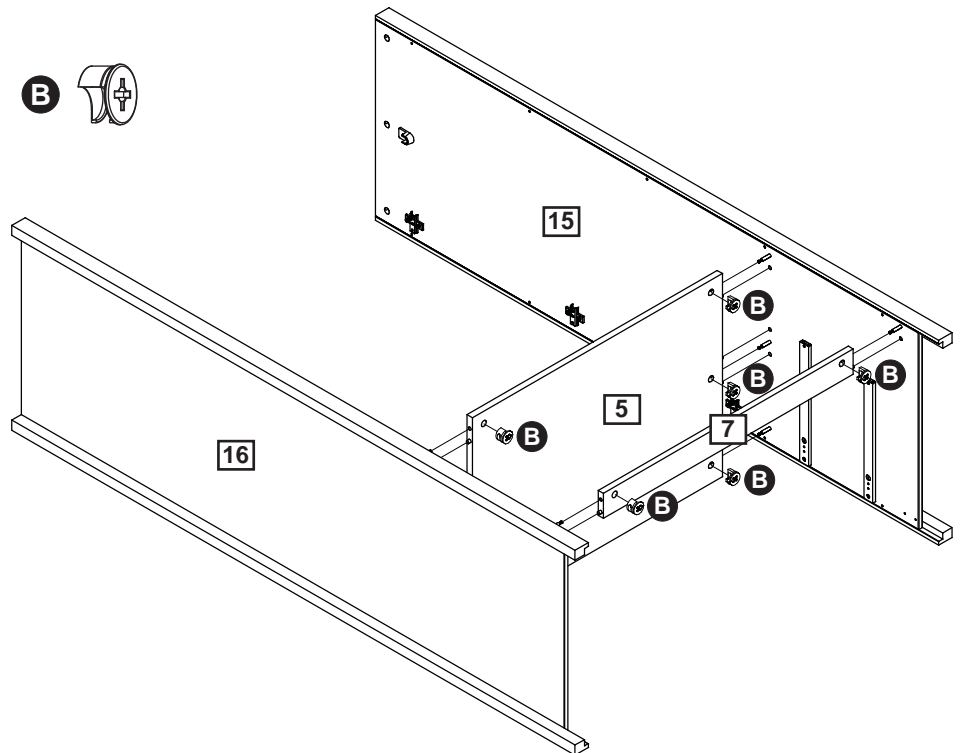


Assembly Instructions

Step 4

Attach the base **5** to the side panels **15** and **16** with the minifix cams **B**.

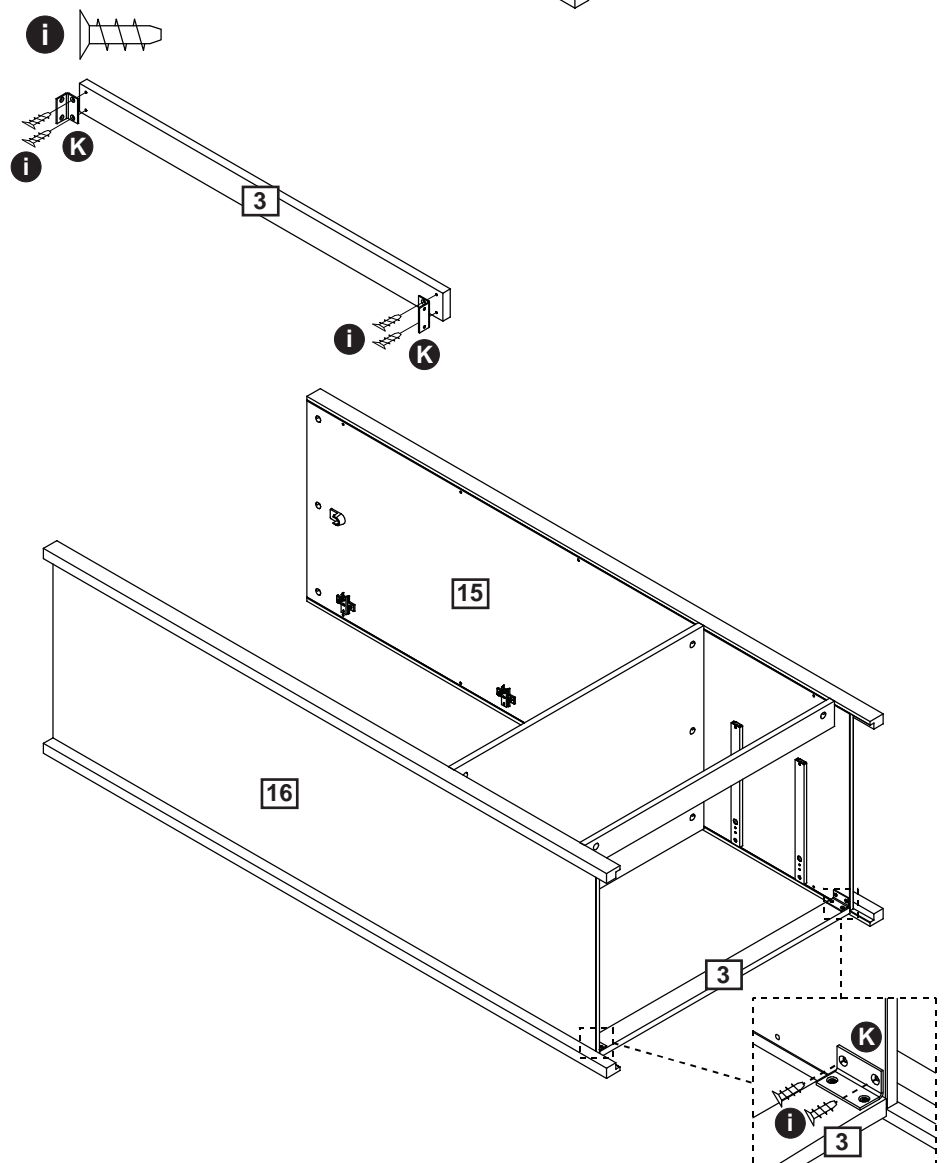
Attach the cross rail **7** to the side panels **15** and **16** with the minifix cams **B**.



Step 5

Attach angles **K** to the plinth **3** using screws **i**.

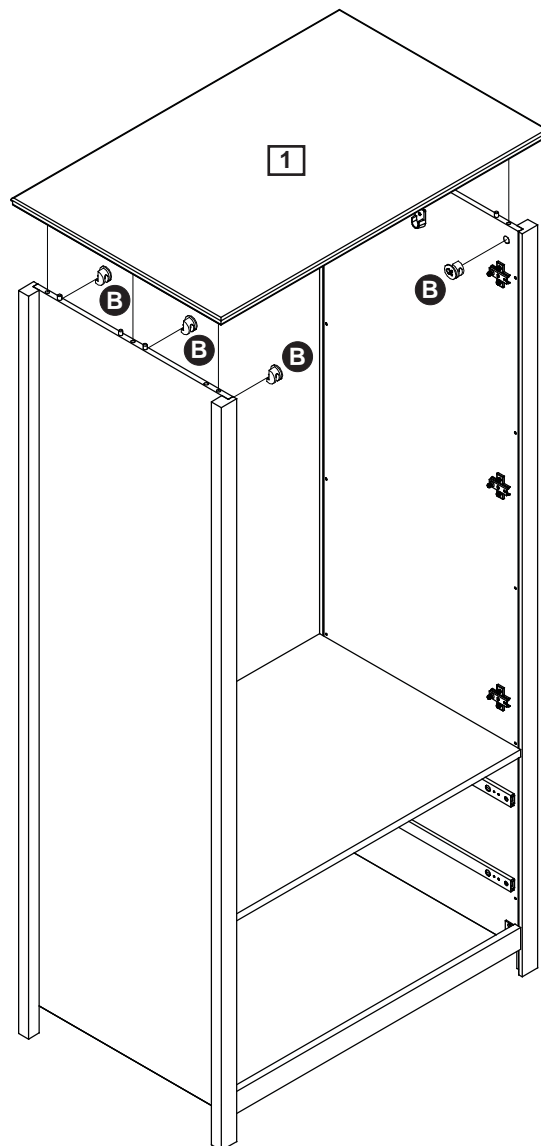
Attach plinth **3** to side panels **15** and **16** using screws **i**.



Assembly Instructions

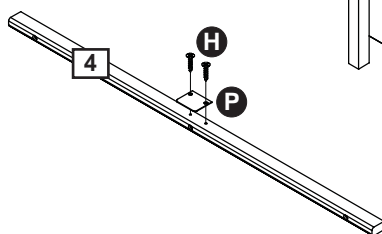
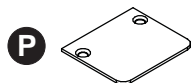
Step 6

Attach the top **1** to the side panels **15** and **16** with the minifix cams **B**.



Step 7

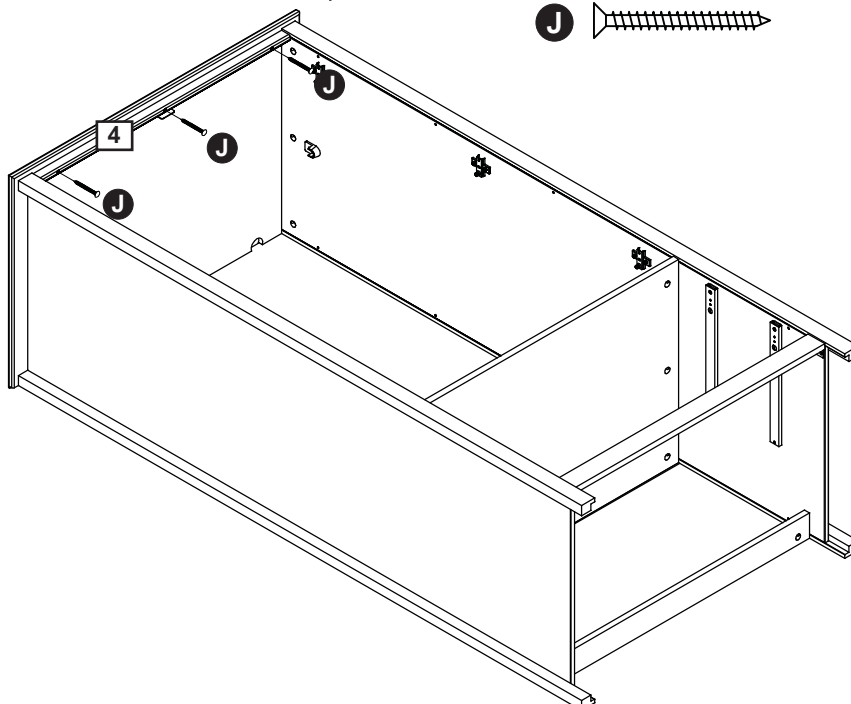
Attach mending plate **P** to the list **4** using screws **H**.



Step 8

Fasten the list **4** to the top panel using screws **J**, placing the screws into the marking holes in top **1**.

Don't overtighten. Note that the mending plate must face inwards.

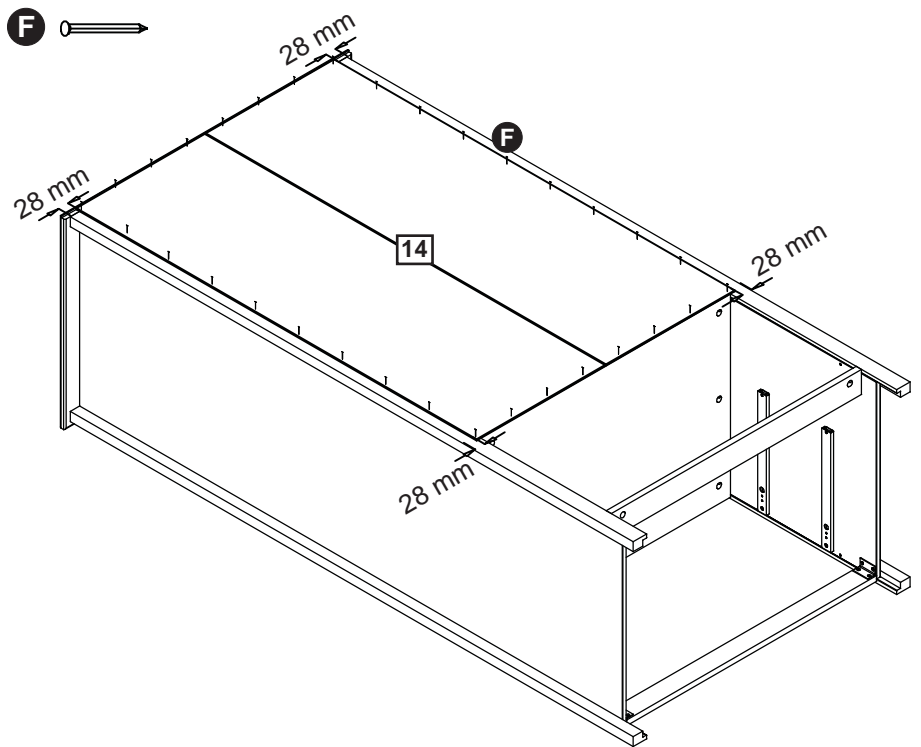


Assembly Instructions

Step 9

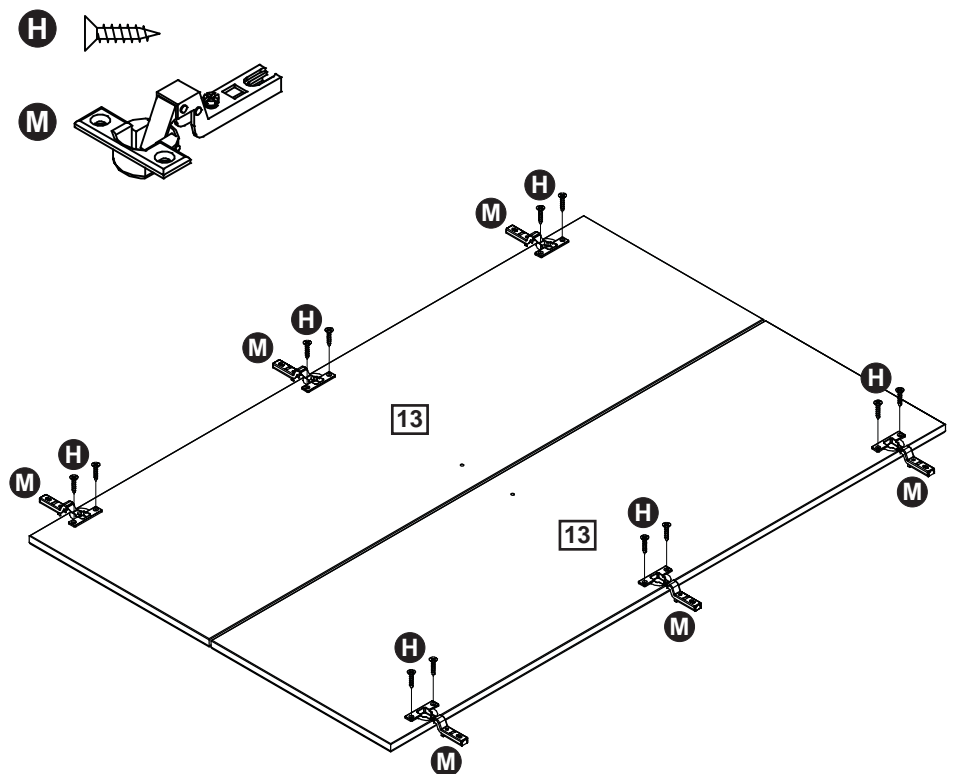
Attach the back panel **14** with nails **F** to the back side of the wardrobe.

Nail the back panel **14** to the carcass, ensuring that there are **NO GAPS** between the top **1** and the back panel **14**. Follow the measurements.



Step 10

Attach the hinges **M** to both doors **13** using screws **H**.



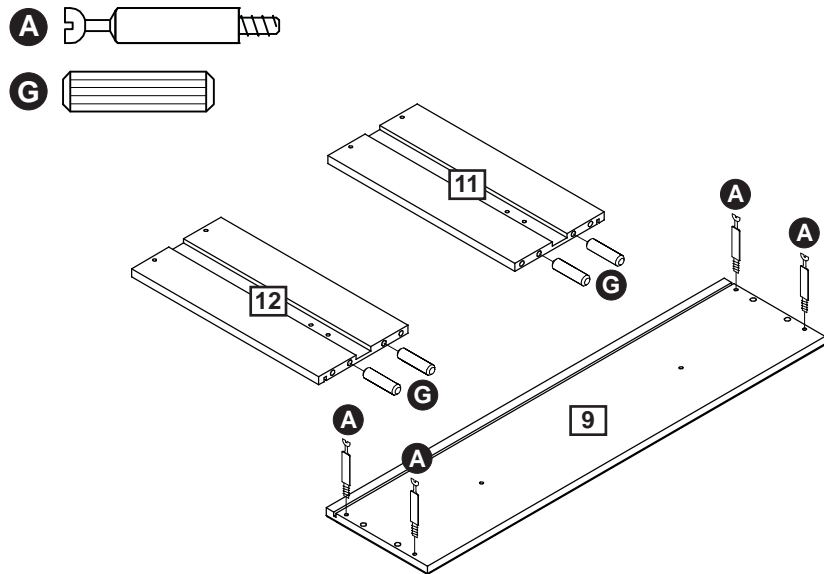
Assembly Instructions

Step 11

Insert the dowels **G** into the holes in the drawer sides **11** and **12**.

Attach the minifix bolts **A** to the drawer front **9**.

Repeat for all drawer sides and drawer fronts.

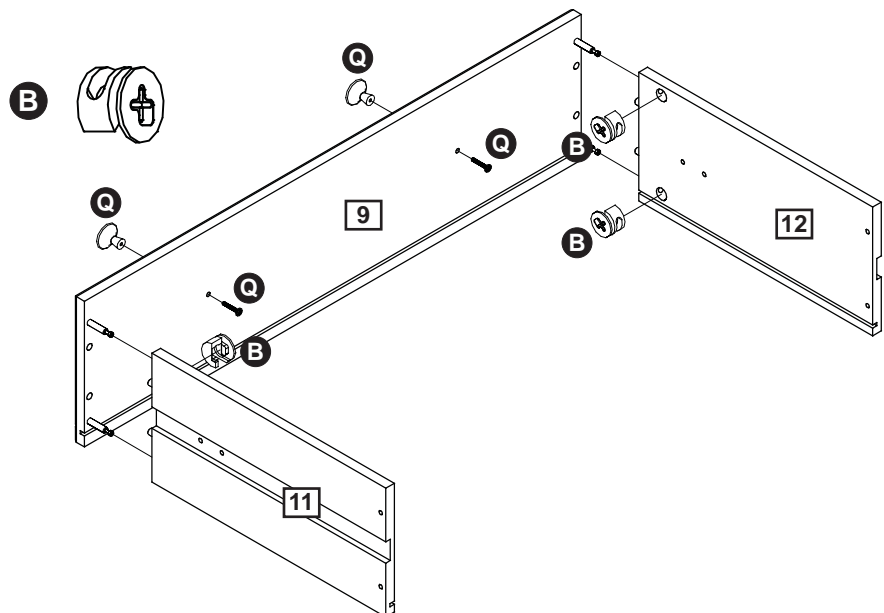


Step 12

Attach the drawer sides **11** and **12** to the drawer front **9** with the minifix cams **B**.

Attach the knob **Q** to the drawer front **9** with the appropriate length screw provided with the knob.

Repeat for both drawers.

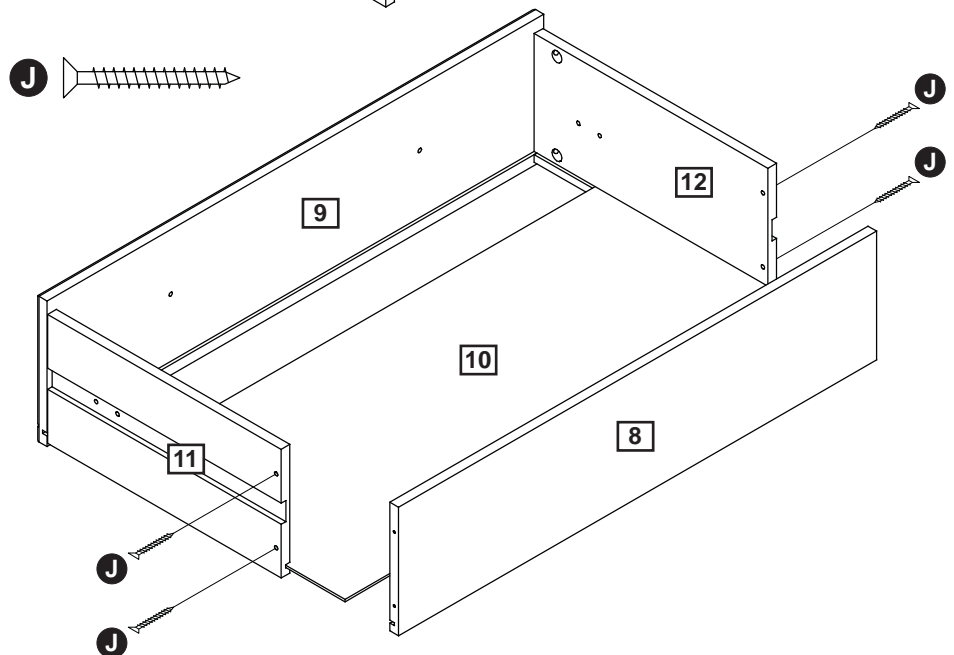


Step 13

Push the drawer base **10** carefully into the drawer.

Attach the drawer back **8** to the drawer sides **11** and **12** with the screws **J**.

Repeat for both drawers.

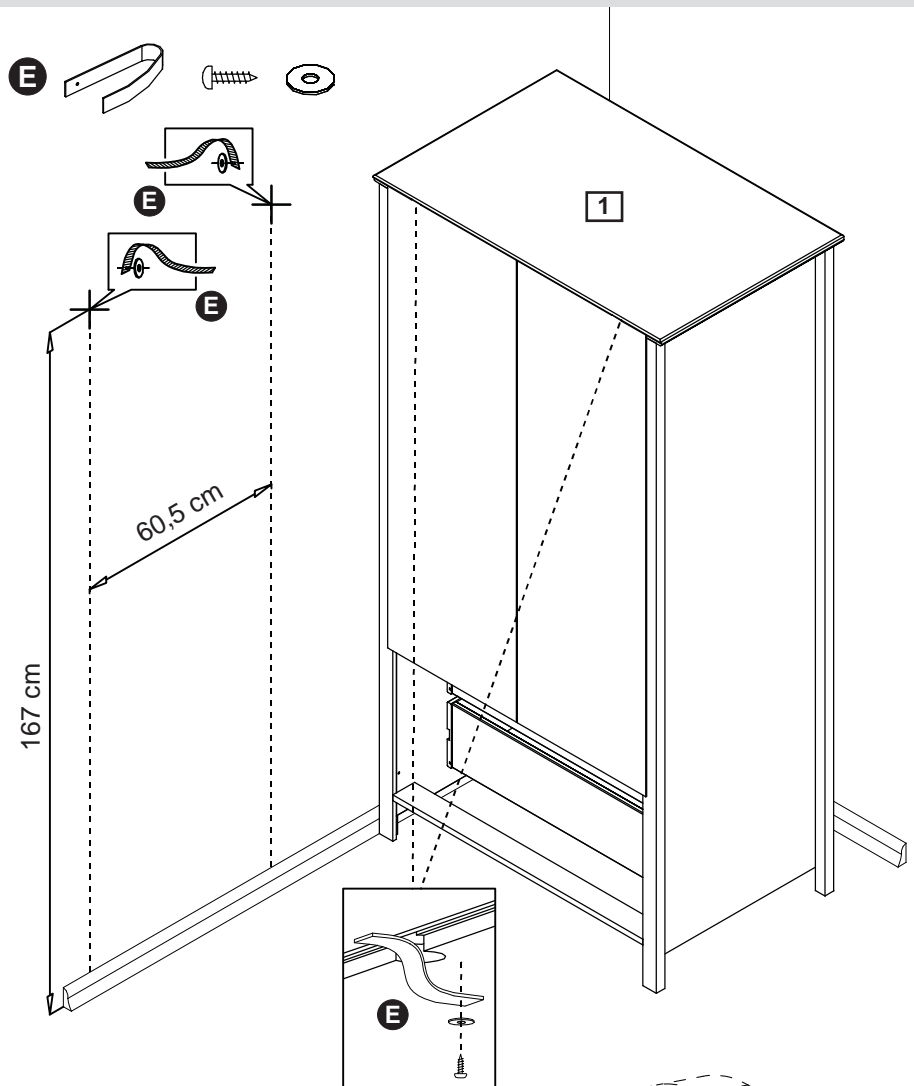


Assembly Instructions

Step 14

Measure out the positions for the wall attachment straps. Drill two holes spaced as illustrated with the appropriate size for the wall attachment fitting (see next step).

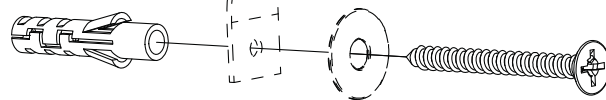
Pull the two straps through the gaps in top plate **1**. Push the furniture against the wall and secure the strap under the top plate with washer and screw.



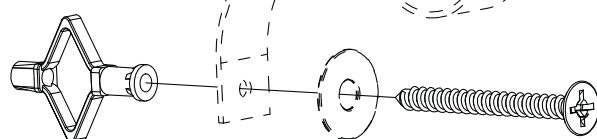
Step 14b

Different types of wall fittings. Contact your local DIY or hardware store for the wall plugs and screws.

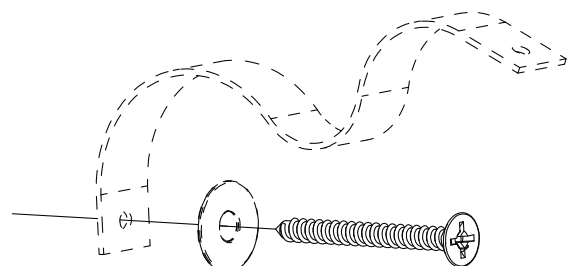
Concrete/Brick wall



Plaster wall



Wooden wall



Assembly Instructions

Step 15

Place the hanging rail **6** into the hanging rail fittings **N**.

Attach the doors with the hinges **M** to the mounting plates **O**.

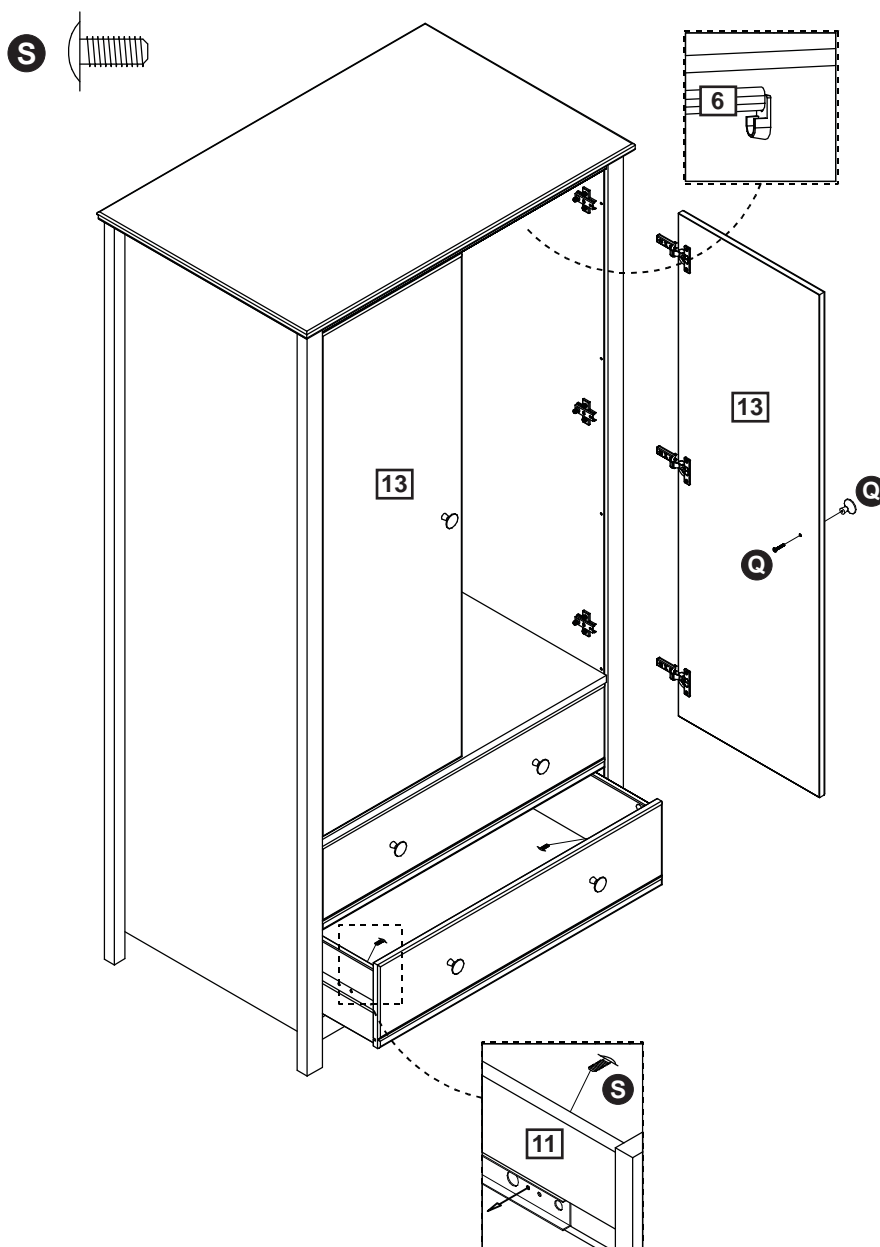
Attach the knob **Q** to the doors **13** with the appropriate length screw provided with the knob.

Place the assembled drawer between the drawer runners **R**.

Attach the drawer sides **11** and **12** to the runners using the screws **S**.

Repeat for both drawers.

Assembly is complete.



If you need help or have damaged or missing parts, call the **Customer Helpline: 0045 7668 8055**
E-mail: order@flexa.dk