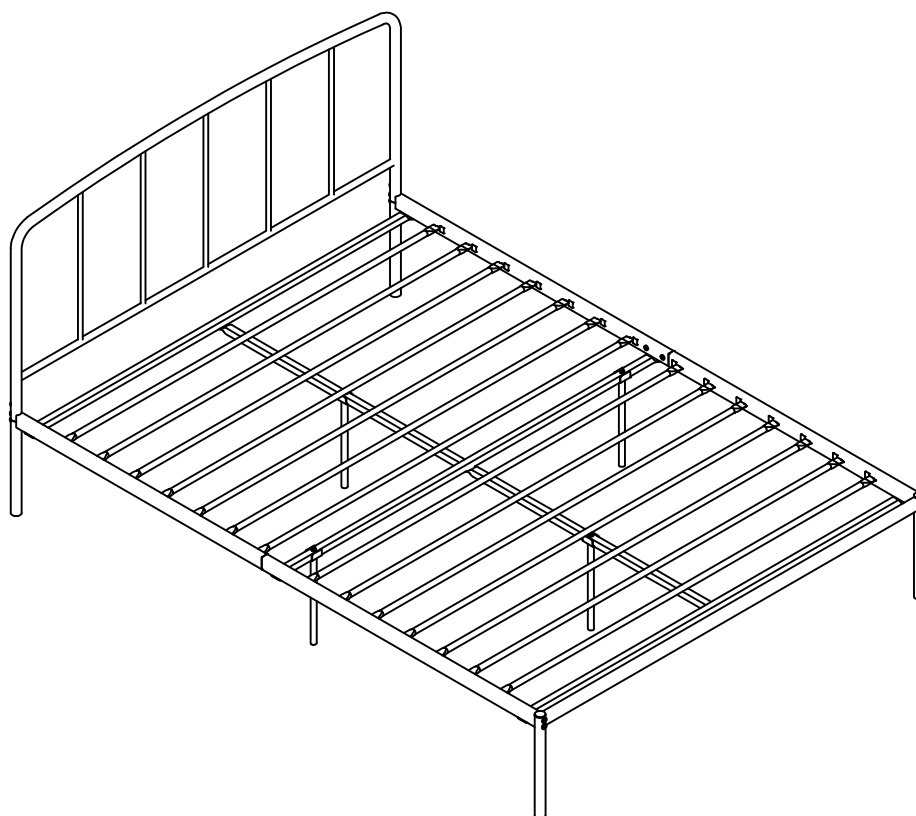


# FREJA 4FT6 BED

IMPORTANT – READ CAREFULLY – RETAIN FOR FUTURE REFERENCE

8046080

**H O**  
**M E**  
**BY ARGOS**



## Dimensions

Width - 141cm

Depth - 194.8cm

Height - 95.2cm

**Important - Please read these instructions fully before starting assembly**

If you need have damaged or missing parts, call the **Customer Helpline:**  
**Argos = 0345 6400800**



## Safety and Care Advice

### Important - Please read these instructions fully before starting assembly

- Check you have all the components and tools listed on the following pages.
- Remove all fittings from the plastic bags and separate them into their groups.
- Keep children and animals away from the work area, small parts could choke if swallowed.
- Parts of the assembly will be easier with 2 people.
- Make sure you have enough space to layout the parts before starting.
- Assemble the item as close to its final position (in the same room) as possible.
- Dispose of all packaging carefully and responsibly.
- Place the product on flat and steady surface during use.
- Assemble on a soft level surface to avoid damaging the unit or your floor.
- Keep these instructions for further use.
- To ensure an easier assembly we strongly advise that all fittings are only finger tightened during initial assembly. Only upon completion of the assembly should all fixing points be fully tightened.

### Care and maintenance

- Only clean using a damp cloth and mild detergent, do not use bleach or abrasive cleaners.
- From time to time check that there are no loose screws on this unit.
- This product should not be discarded with household waste. Take to your local authority waste disposal center.

### Handy Hints

- Assemble all parts and bolts loosely during assembly, only once the product is complete should you fully tighten the bolts
- Regularly check and ensure that all bolts and fittings are tightened properly.

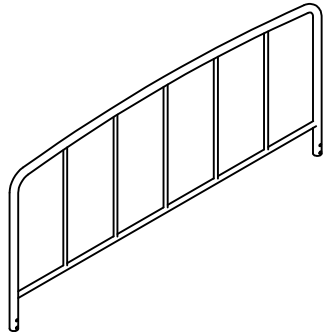
# Components - Panels

If you have damaged or missing components, call the  
Customer Helpline: Arges = 0345 6400800

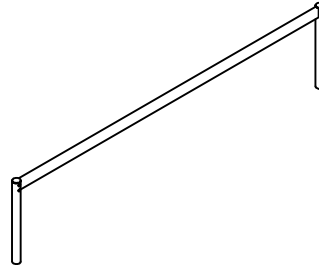
Please check you have all the panels listed below



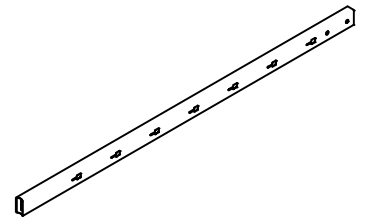
**1** Post x 2  
(36.7 x 2.8cm)



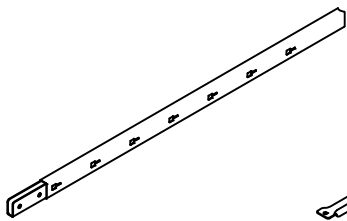
**2** Headboard  
(141.8 x 65cm)



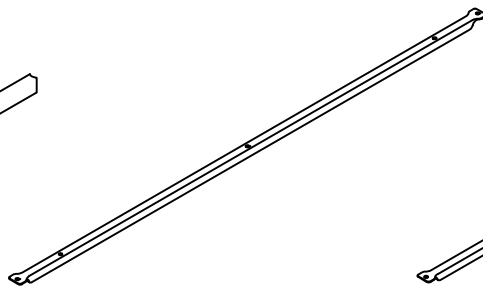
**3** Footboard  
(141.8 x 32.2cm)



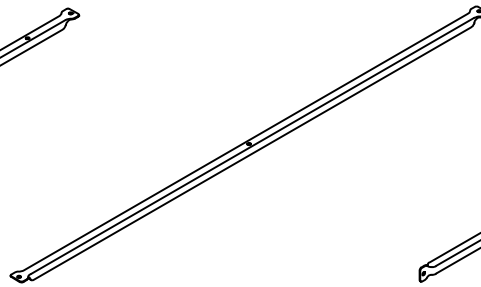
**7** Side Rail 01 x 2  
(100 x 4cm)



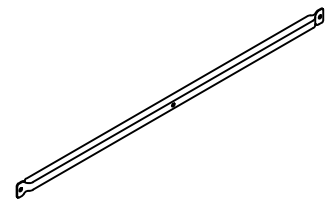
**8** Side Rail 02 x 2  
(100 x 4cm)



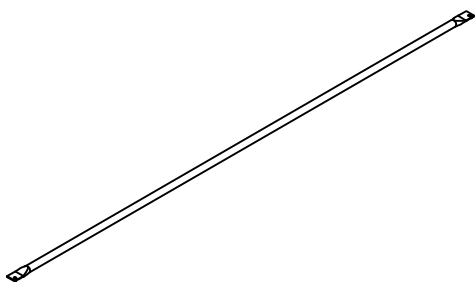
**9** Brace 01 (141 x 2cm)



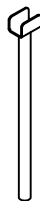
**10** Brace 02 x 2 (141 x 2cm)



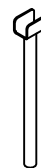
**11** Brace x 2 03 (92.4 x 2cm)



**12** Slats x 14 (138.7 x 1.6cm)



**13** Leg x 2 (29.8 x 3.6cm)



**14** Leg x 2 (28.6 x 3.6cm)

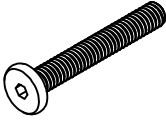
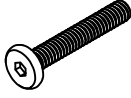





**15** Plastic Plug x 28

# Components - Fittings

Please check you have all the panels listed below

**Note:** The quantities below are the correct amount to complete the assembly. In some cases more fittings may be supplied are required.

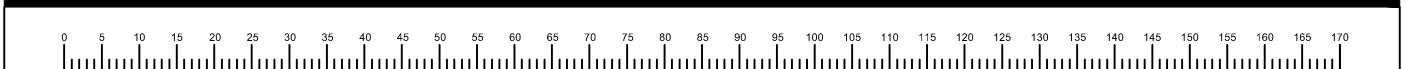
<p><b>A</b></p>  <p>50mm Bolt x 8</p>	<p><b>B</b></p>  <p>38mm Bolt x 4</p>	<p><b>C</b></p>  <p>22mm Bolt x 6</p>
<p><b>D</b></p>  <p>17mm Bolt x 9</p>	<p><b>E</b></p>  <p>Allen Key x 1</p>	

## Tools required



Ruler/tape  
measure

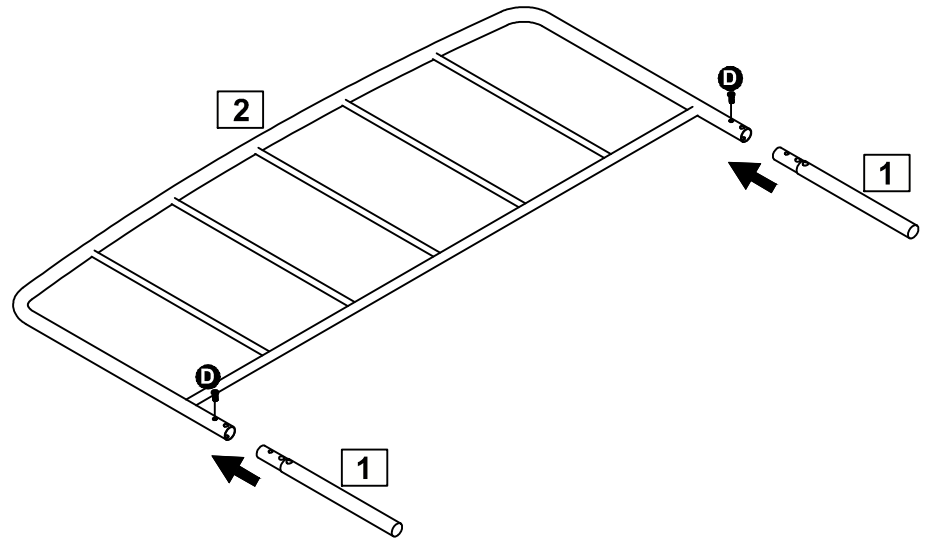
Ruler - User this ruler to help correctly identify the screws



# Assembly Instructions

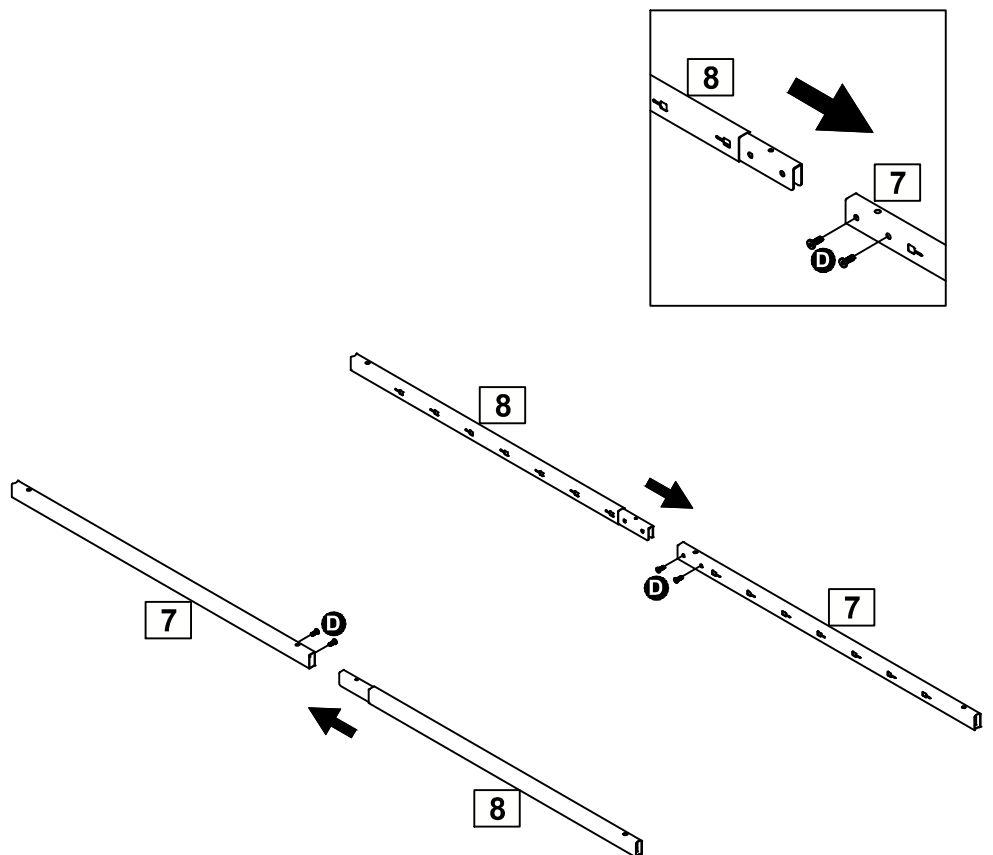
## Step 1

Insert post **1** x 2 into headboard **2** with **D**.



## Step 2

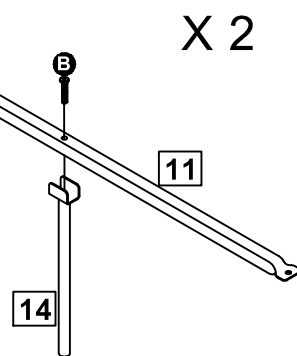
Insert side rail 02 **8** x 2 into side rail 01 **7** x 2 with **D**.



# Assembly Instructions

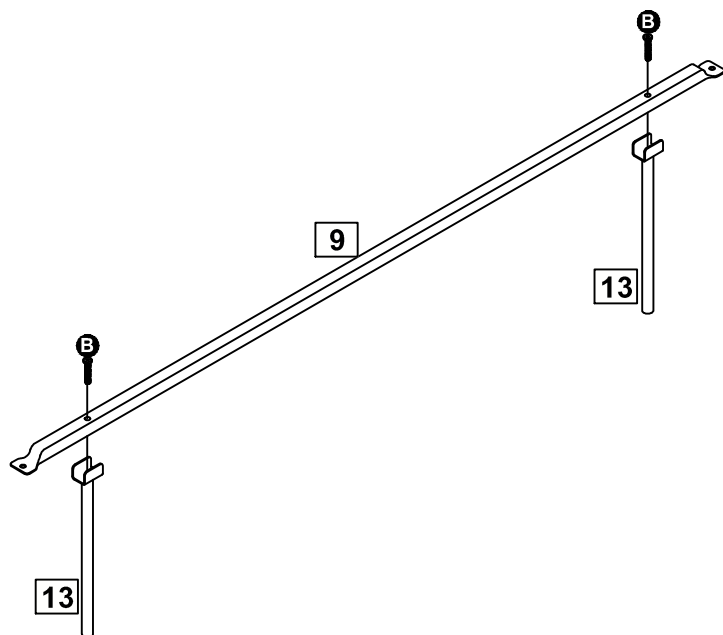
## Step 3

Attach brace 03 **11** to leg **14** with **B**.



## Step 4

Attach brace 01 **9** to leg **13** x 2 with **B**.

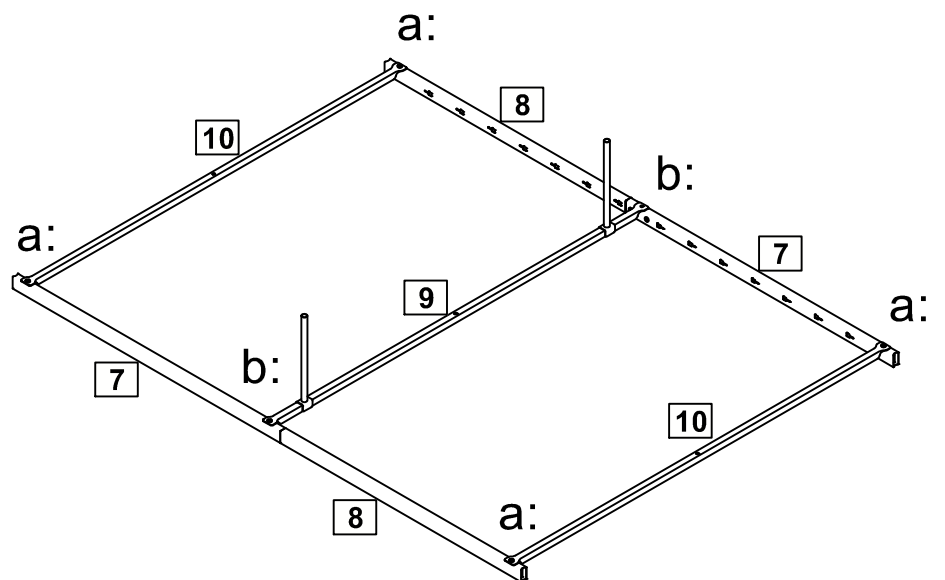
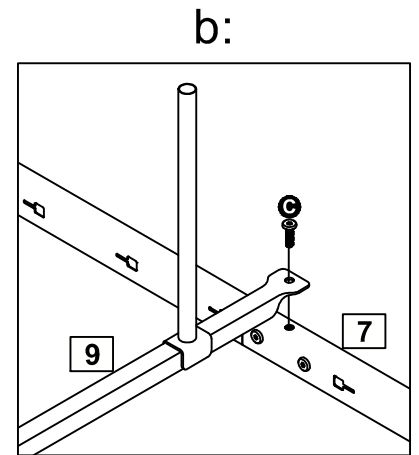
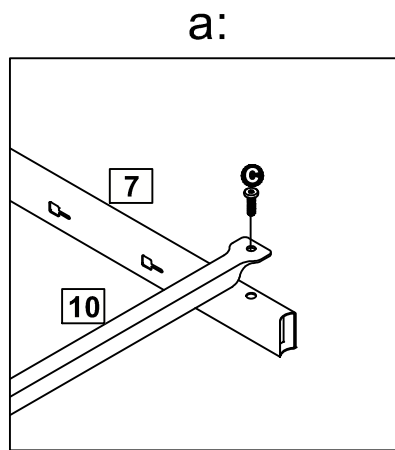


# Assembly Instructions

## Step 5

**a:** Attach brace 02 **10** x 2 to sub-assembly **7/8** x 2 from previous step with **C**.

**b:** Attach brace 01 **9** to side rail 01 **7** x 2 with **C**.

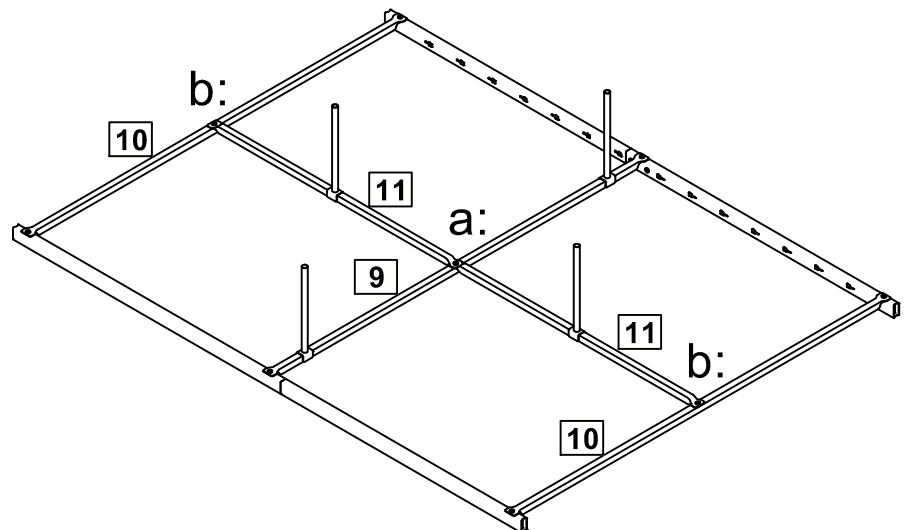
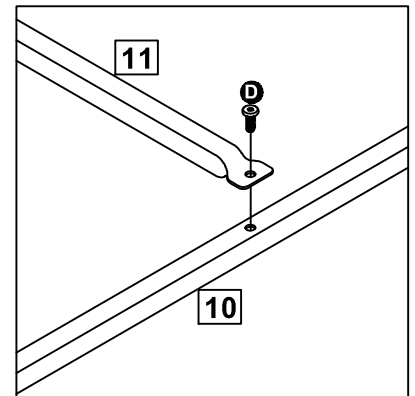
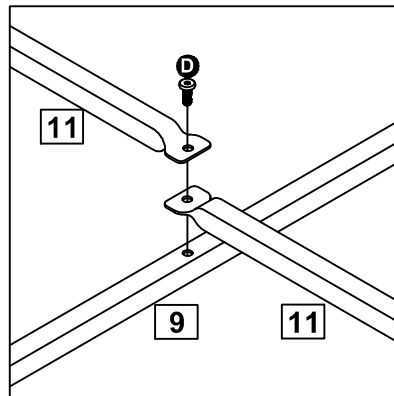


# Assembly Instructions

## Step 6

**a:** Attach brace 03 **11** x 2 to brace 01 **9** with **D**.

**b:** Attach brace 03 **11** to brace 02 **10** x 2 with **D**.



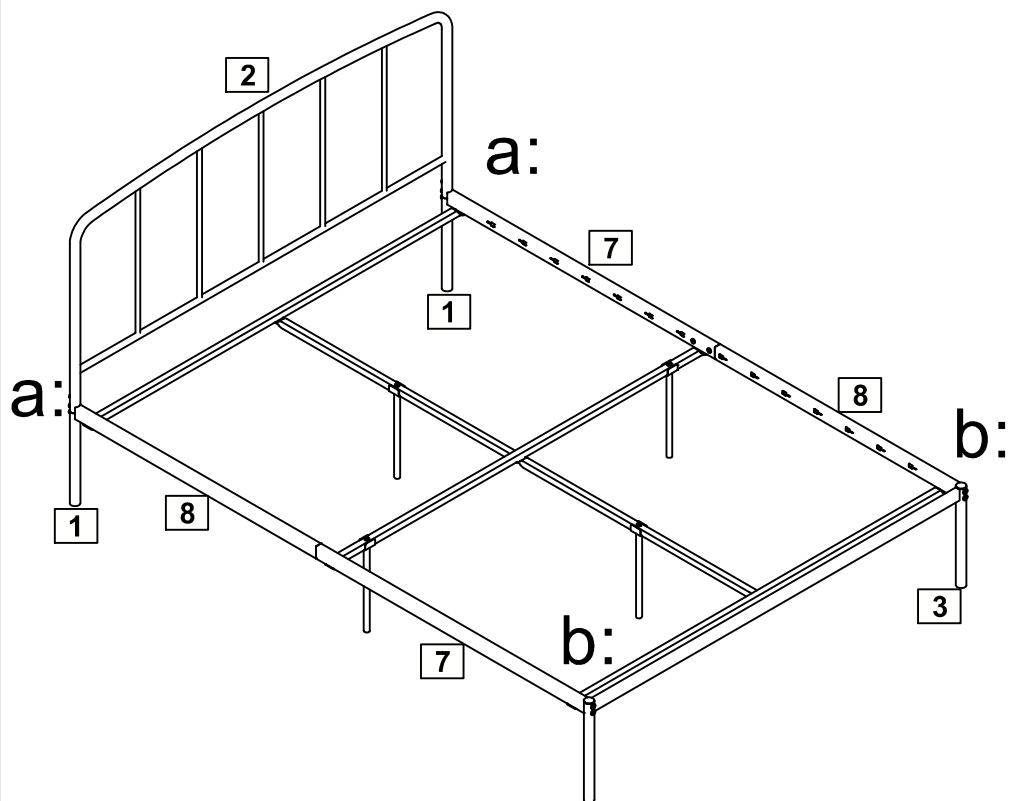
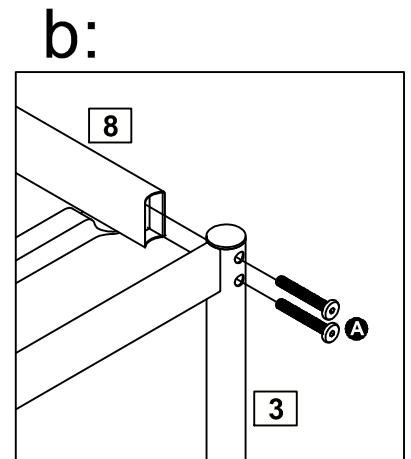
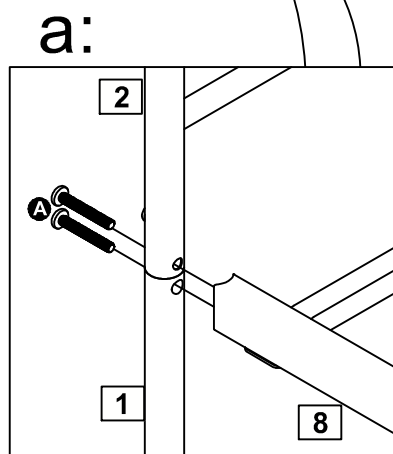
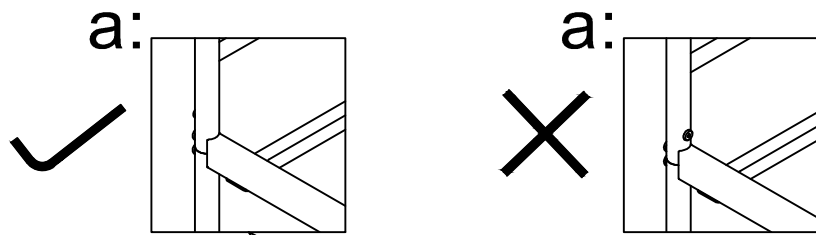


# Assembly Instructions

## Step 7

a: Attach sub-assembly side rail 01 **7** /side rail 02 **8** from previous step to post **1** and headboard **2** with **A**.

b: Attach sub-assembly side rail 01 **7** /side rail 02 **8** from previous step to footboard **3** with **A**.

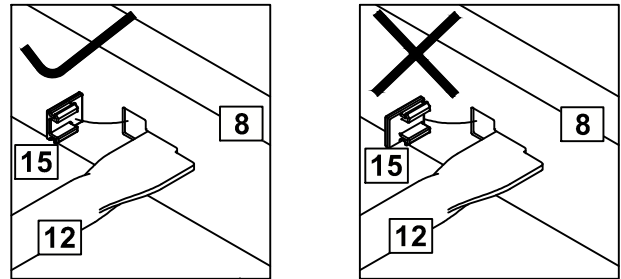


# Assembly Instructions

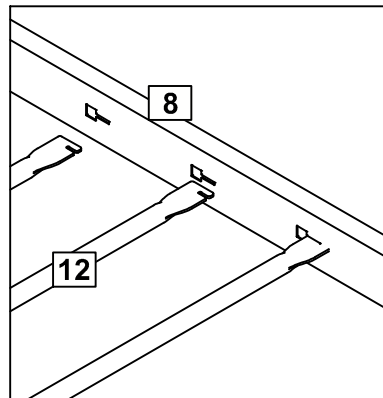
## Step 8

**a:** Secure the slats **12** to the side rail 01 **7** and side rail 02 **8**.

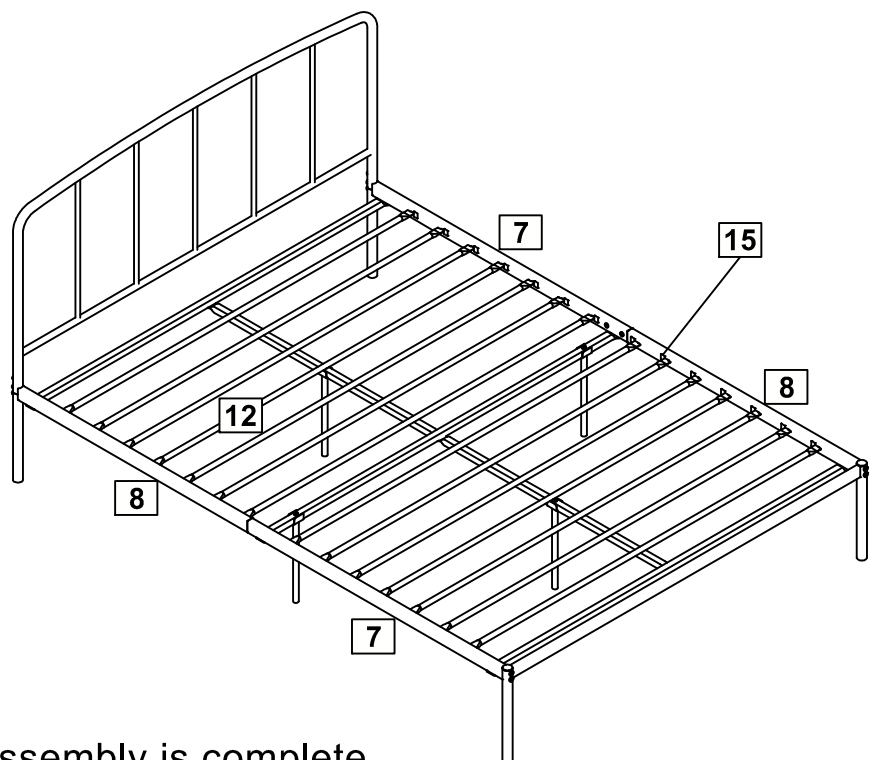
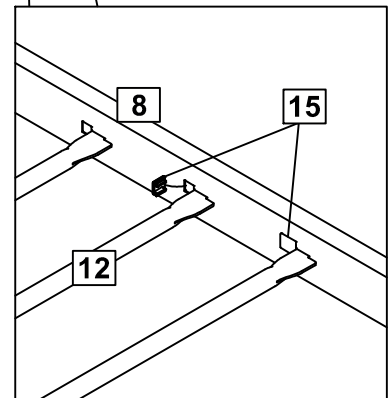
**b:** Secure the plastic plug **15** to the side rail 01 **7** and side rail 02 **8**.



**a:**



**b:**



Assembly is complete