

# CV WOODEN MUD KITCHEN

Assembly & User Instructions - Please keep for future reference 8037886



## Important

Age: 3-12 years

## Important – Please read these instructions fully before assembly or use

These instructions contain important information which will help you get the best from your product and ensure safe and correct assembly, use and maintenance.  
If you need help or have damaged or missing parts, call the Customer Helpline: 03456 400 800.

Issue 1 - 09/19/17

## Safety Information

**Important** – Please read these instructions fully before assembly or use

### General safety

- Adult assembly required!
- Before use, please ensure the item is on a stable and level surface.
- Do not use the item if any part is broken or missing.
- Keep away from fire at all times.
- Adult supervision is required as young children in play are unaware of potential hazards and dangers.

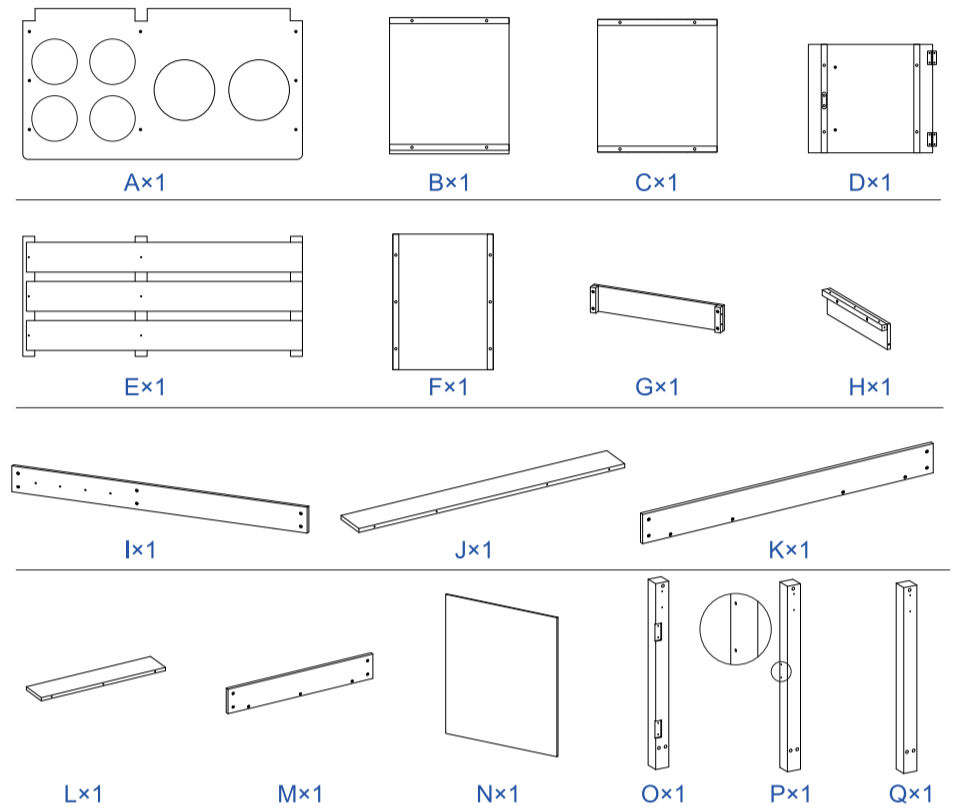
### Warning

- This product contains small part which may be hazardous to your children!
- During assembly children should be kept away from the product due to possible risk of injury.
- Important: Retain these instructions for future reference.
- Assembly must be performed by two adults.  
Must be secured using a screwdriver.

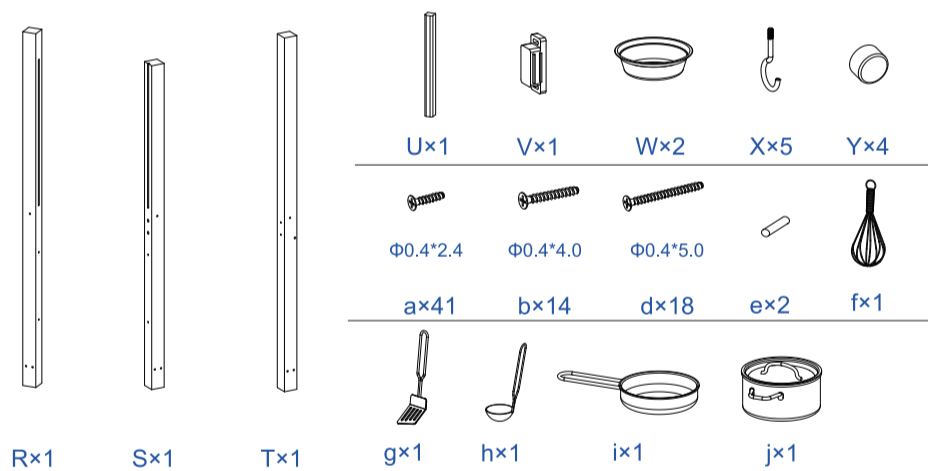
## Parts

If you need help or have damaged or missing parts, call the Customer Helpline: 03456 400 800.

Please check you have all the parts and fittings listed below



1



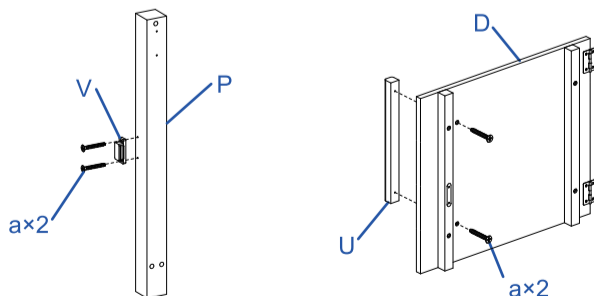
Ruler - Use this ruler to help correctly identify the screws



## Assembly Instructions

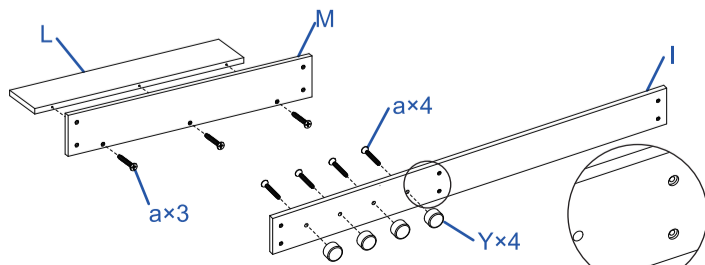
### Step 1:

Insert part V into part P by screw a, and insert part U into part D by screw a as shown.



### Step 2:

Insert part Y into part I by screw a, and insert part L into part M by screw a.



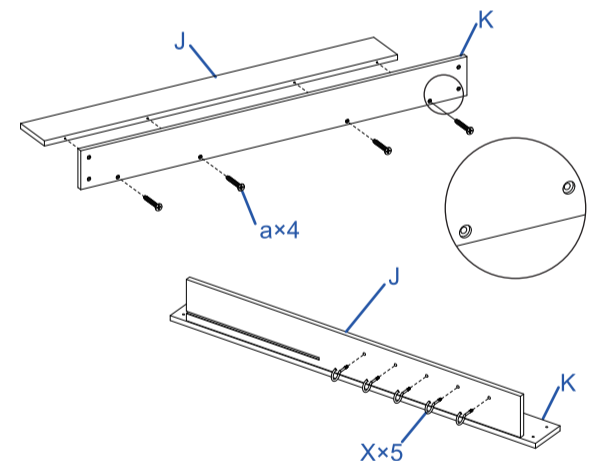
Don't screw tightly in order to turn the knob.

2

## Assembly Instructions

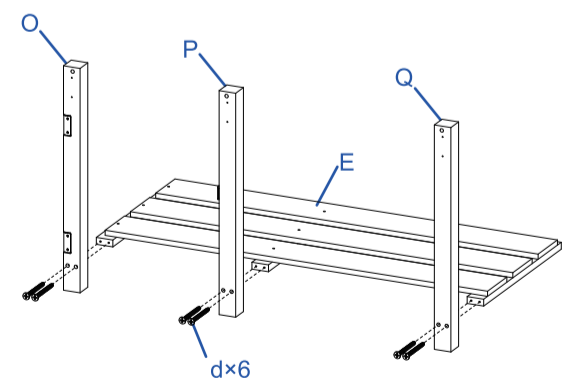
### Step 3:

Insert part J into part K by screw a, and then screw the part X and part J together.



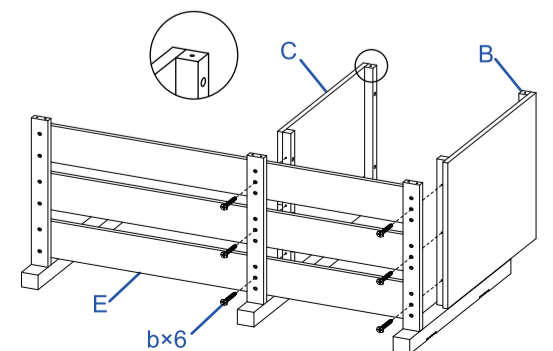
### Step 4:

Insert part O/P/Q into part E by screw d.



### Step 5:

Insert part C/B into part E by screw b.



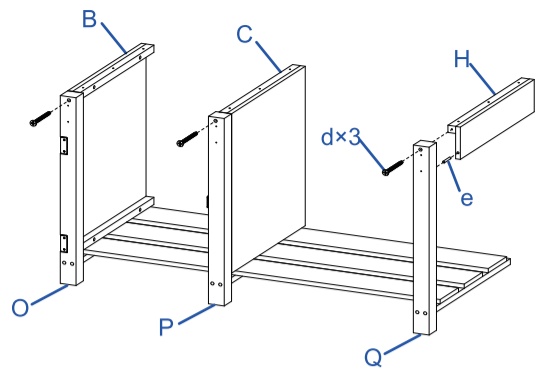
3

4

## Assembly Instructions

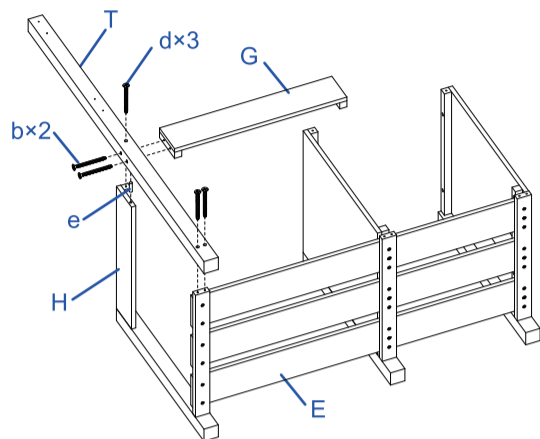
### Step 6:

Insert part H into part Q by screw d, between them put the wood plug e, and insert part C/B into part P/O by screw d.



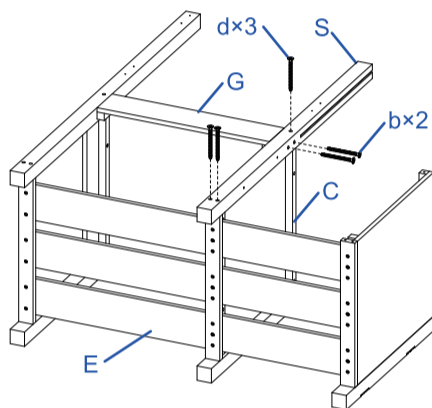
### Step 7:

Insert part T into part H/E by screw d, between them put the wood plug e, and then insert part G into part T by screw d.



### Step 8:

Insert part S into part G/C/E by screw d/b as shown.

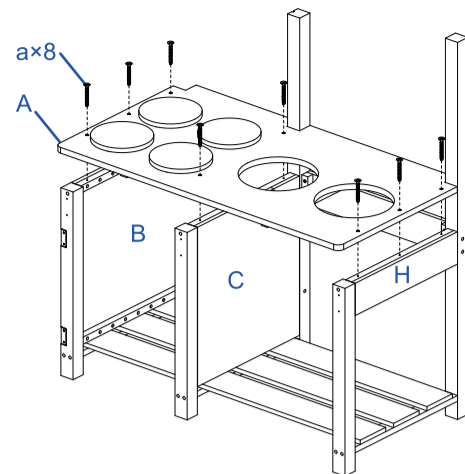


5

## Assembly Instructions

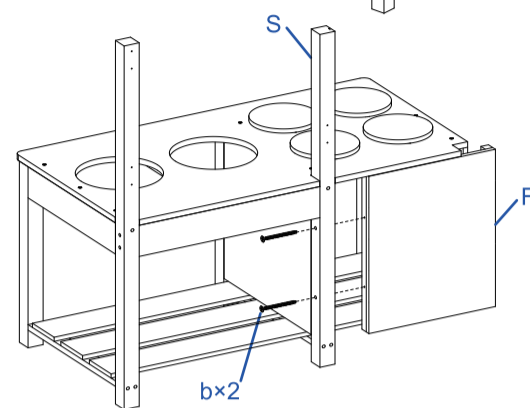
### Step 9:

Insert part A into part B/C/H by screw a.



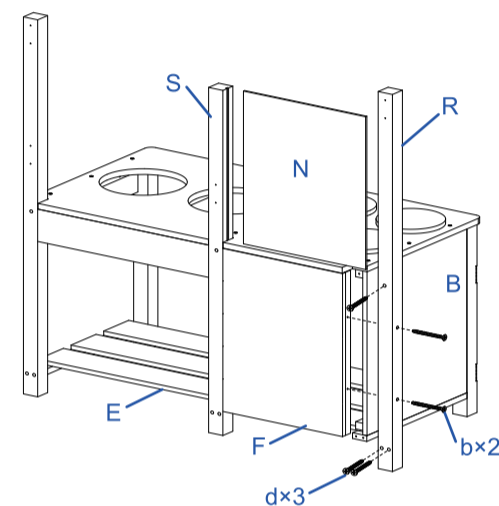
### Step 10:

Insert part F into part S by screw b.



### Step 11:

Put part N in the part S as shown, and insert part R into part F by screw b, then screw the part R with part B/E by screw d as shown.

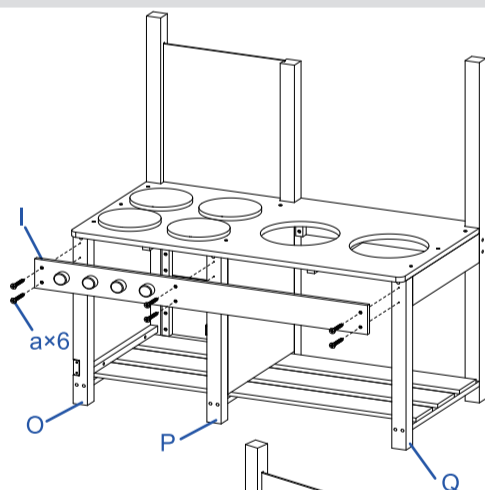


6

## Assembly Instructions

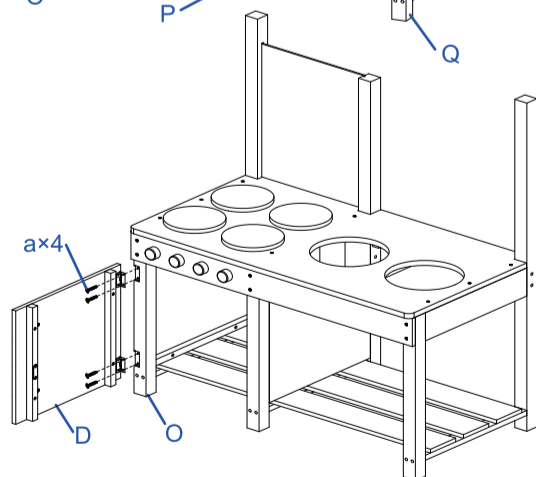
### Step 12:

Insert part I into part O/P/Q by screw a.



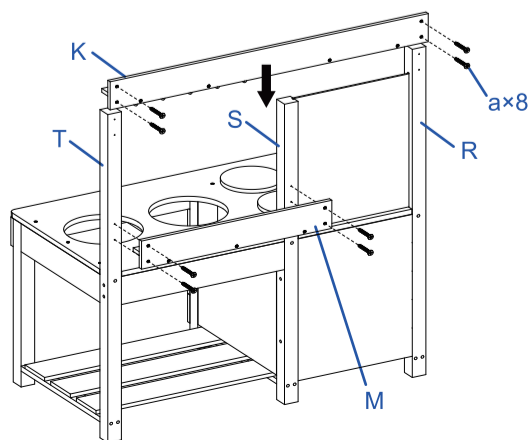
### Step 13:

Insert part D into part O by screw a.



### Step 14:

Insert part K into part T/R by screw a, and insert part M into part T/S by screw a.

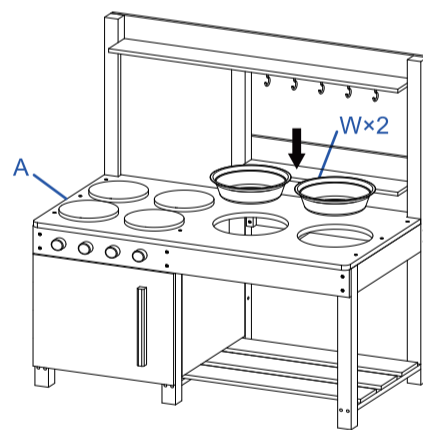


7

## Assembly Instructions

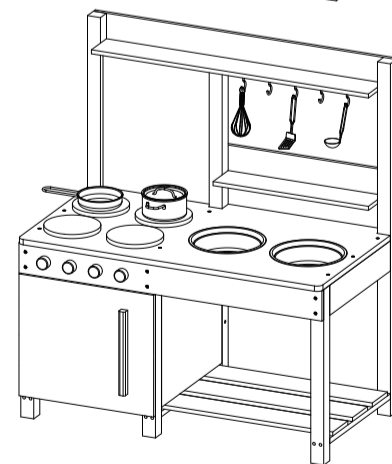
### Step 15:

Put part W in the part A.



### Step 16:

Assembly is complete.



### Care and Maintenance

- Periodically check all fittings to ensure that none have come loose.
- Any loose fittings must be tightened using the correct tool.



**Not suitable for children under 3 years due to small parts, choking hazard.**

If you need help or have damaged or missing parts, call the **Customer Helpline: 03456 400 800**.  
Produced for Chad Valley Toys. *Country of origin:* CHINA.  
Address: 489-499 Avebury Boulevard, Central Millen Keynes, MK9 2NW.  
[www.argos.co.uk/chadvalley](http://www.argos.co.uk/chadvalley)

8