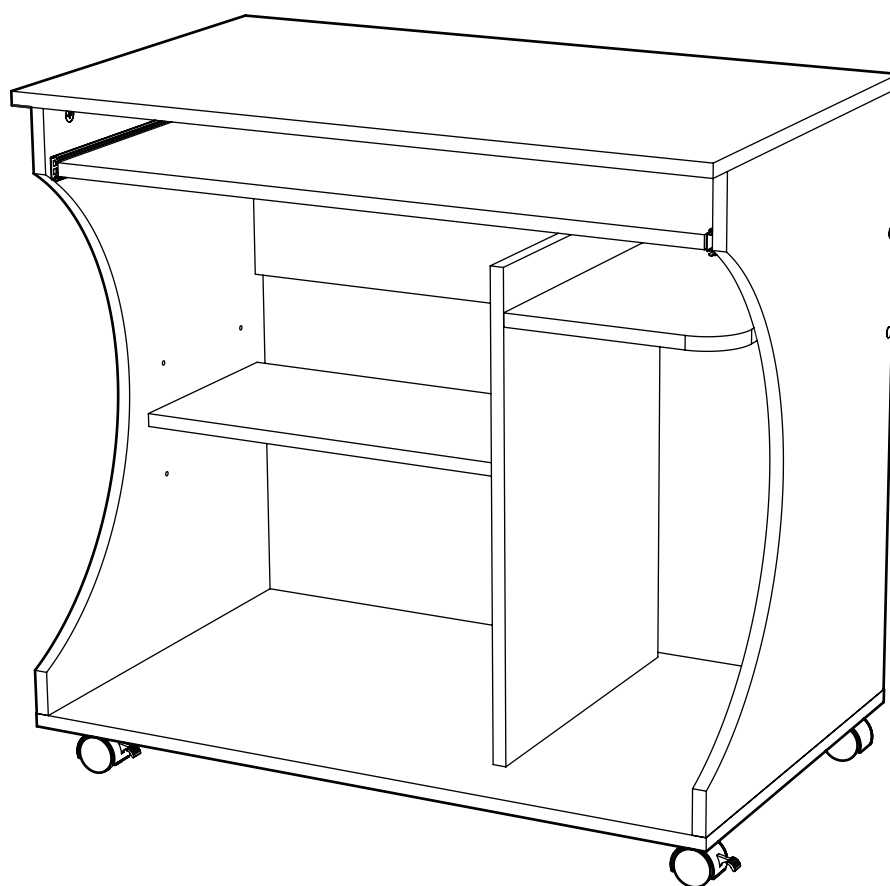


Curved PC Trolley

Assembly Instructions - Please keep for future reference

617/9447

617/9674



Dimensions

Width - 80cm

Depth - 48cm

Height - 76cm

Important - Please read these instructions fully before starting assembly

If you need help or have damaged or missing parts, call the **Customer Helpline: 0345 6400800**



Safety and care advice

Important - Please read these instructions fully before starting assembly

- Check you have all the components and tools listed on pages 2 and 3.
- Remove all fittings from the plastic bags and separate them into their groups.
- Keep children and animals away from the work area, small parts could choke if swallowed.
- Make sure you have enough space to layout the parts before starting.

- Do not stand on the panels, this could cause damage.
- Assemble the unit as close to its final position (in the same room) as possible.
- Assemble on a soft level surface to avoid damaging the unit or your floor.
- Parts of the assembly will be easier with 2 people.



- We do not recommend the use of power drill/ drivers **for inserting screws**, as this could damage the unit. Only use hand screwdrivers.
- Dispose of all packaging carefully and responsibly.
- **Warning:** The unit weighs approximately 22.1kgs. **Please lift with care.**

Care and maintenance

- Only clean using a damp cloth and mild detergent, do not use bleach or abrasive cleaners.
- From time to time check that there are no loose screws on this unit.
- This product should not be discarded with household waste. Take to your local authority waste disposal centre.

Note: If required the next page can be cut out and used as a reference throughout the assembly. Keep this page with these instructions for future reference.

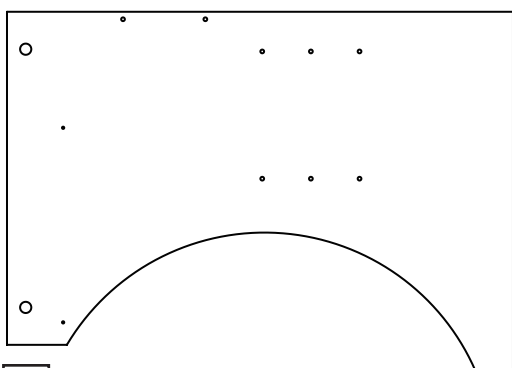
Components - Panels

If you have damaged or missing components, call the **Customer Helpline:0345 6400800**

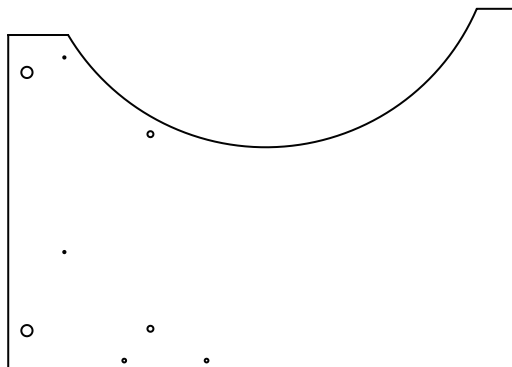
Please check you have all the panels listed below



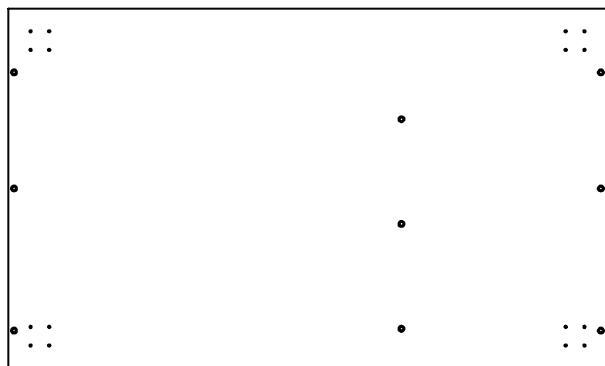
1 Top (80 x 48cm)



2 Left side (67.5 x 47.8cm)



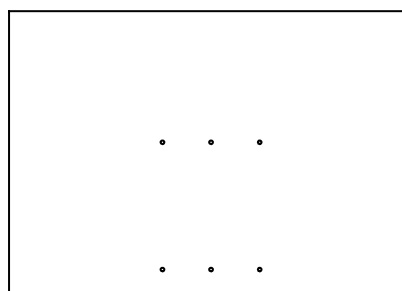
3 Right side (67.5 x 47.8cm)



4 Bottom (80 x 48cm)



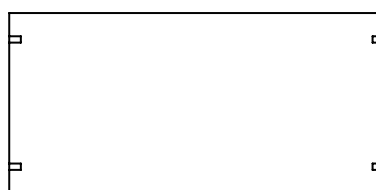
5 Keyboard (74.6 x 30cm)



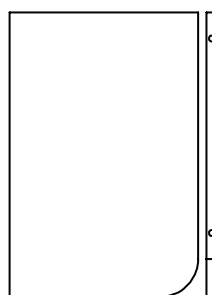
6 Centre support (48 x 36.8cm)



7 Back support (76.8 x 16.7cm)



8 Shelf (42.5 x 24cm)




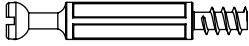



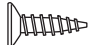
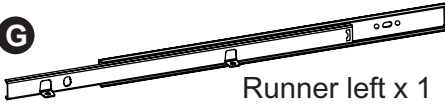
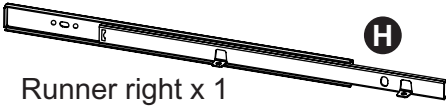

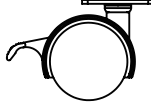

9 Cross shelf (36 x 32.8cm)



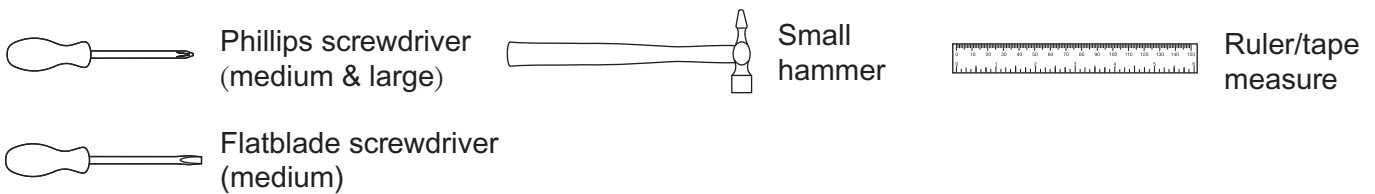
Components - Fittings

Please check you have all the fittings listed below

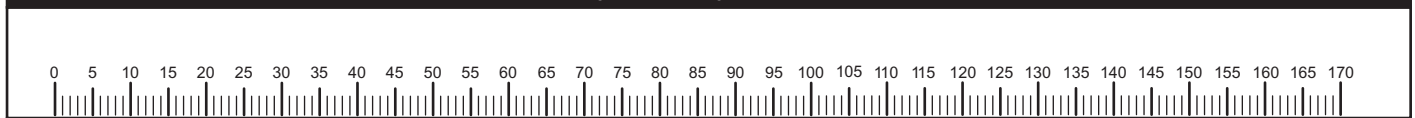
Note: The quantities below are the correct amount to complete the assembly. In some cases more fittings may be supplied than are required.

<p>A  Locking nut x 4</p>	<p>B  Locking pin x 4</p>	<p>C  Dowel x 6</p>
<p>D  45mm Screw x 17</p>	<p>E  Shelf support x 4</p>	<p>F  15mm Screw x 24</p>
<p>G  Runner left x 1</p>	<p>H  Runner right x 1</p>	<p>I  Castor x 2</p>
<p>J  Front castor x 2</p>	<p>K  Cover cap x 4</p>	

Tools required



Ruler - Use this ruler to help correctly identify the screws



Assembly Instructions

Step 1

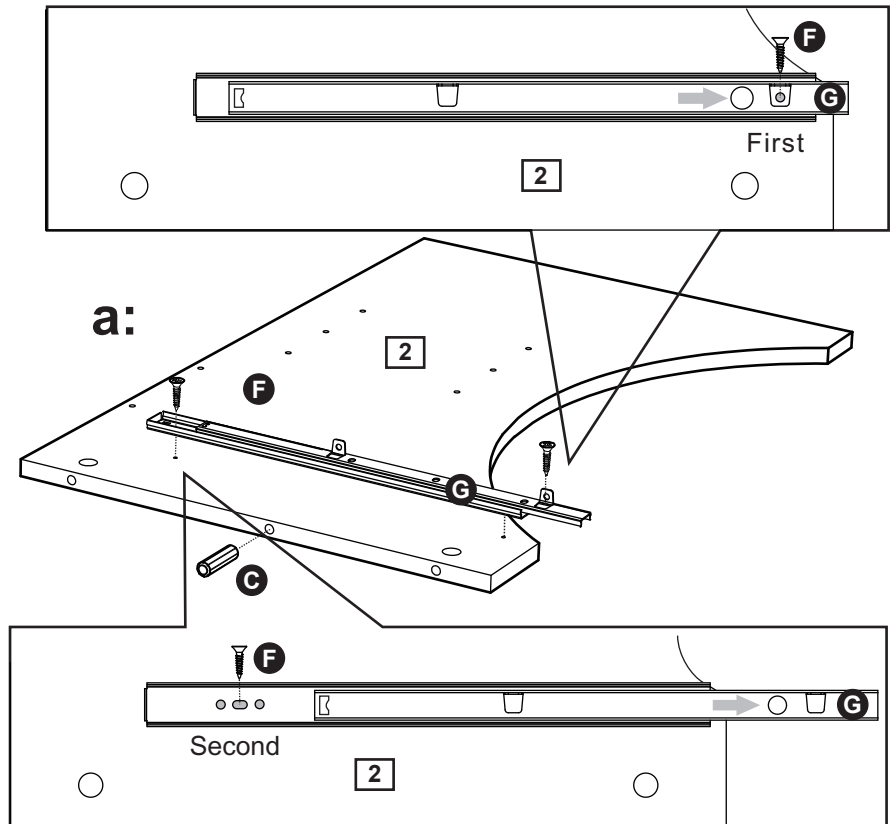
Fitting the runners

Note: It would be useful to ask someone to help you at this stage.

a: Use Screws **F** to fix the Runner left **G**, onto Left side **2**.

Slide top of the runner to access the screw hole.

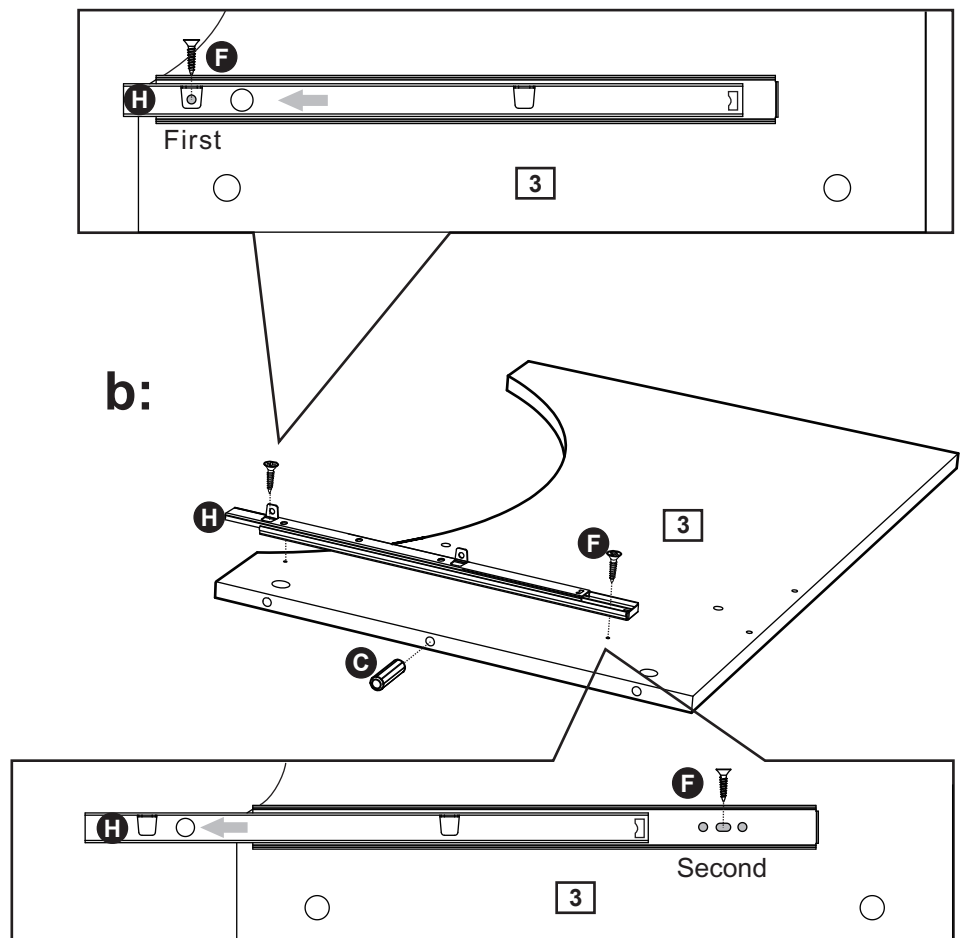
Insert Dowel **C** into Left side **2**.



b: Use Screws **F** to fix the Runner right **H**, onto Right side **3**.

Slide top of the runner to access the screw hole.

Insert Dowel **C** into Right side **3**.



Assembly Instructions

Step 2

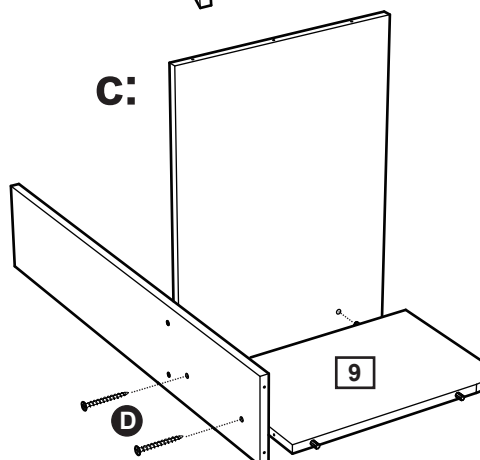
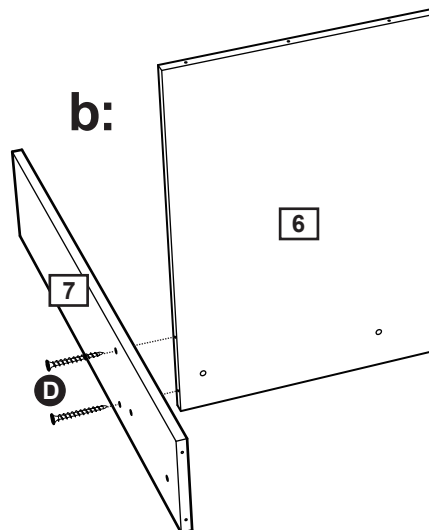
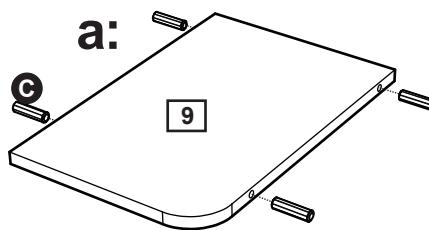
Fitting the centre support

Note: It would be useful to ask someone to help you at this stage.

a: Insert Dowels **C** into Cross shelf **9**.

b: Use Screws **D** to fix Back support **7** onto Centre support **6**.

c: Use Screws **D** to fix Cross shelf **9** onto the unit.

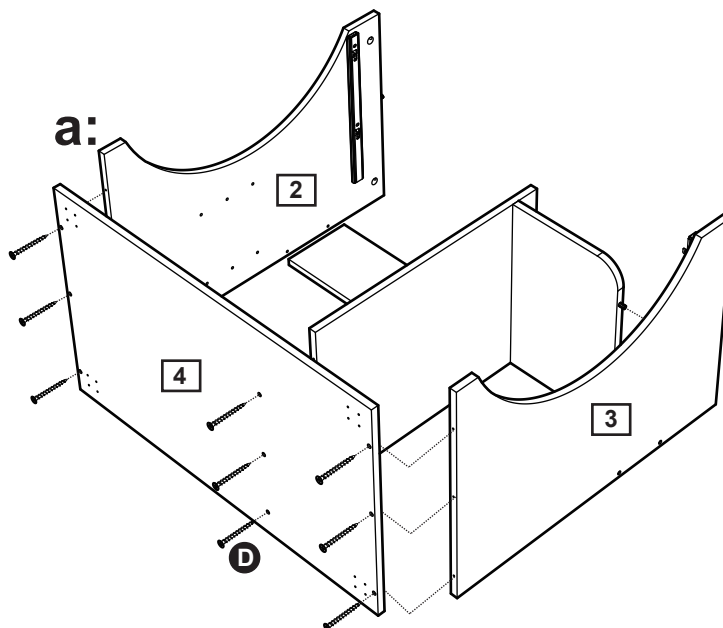


Step 3

Fitting bottom and side panels

Note: It would be useful to ask someone to help you at this stage.

a: Use Screws **D** to fix Bottom **4**, Left side **2**, Right side **3** onto the unit.

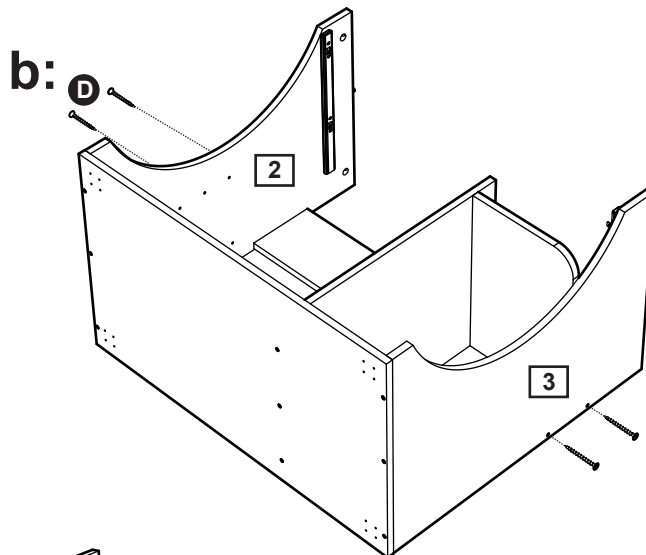


Continued on next page.

Assembly Instructions

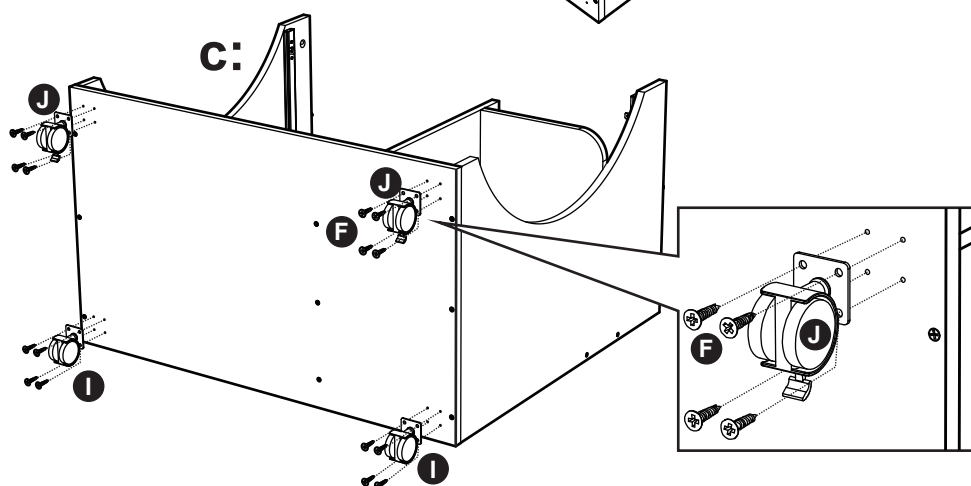
Step 3 - continued

b: Use Screws **D** to fix Left side **2**, Right side **3** onto the unit.



c: Use Screws **F** to fix the Front castors **J** and Castors **I** onto the unit.

Note: The Front castors **J** feature a locking arm. We recommend you lock the castors when you have finally positioned the unit in place.

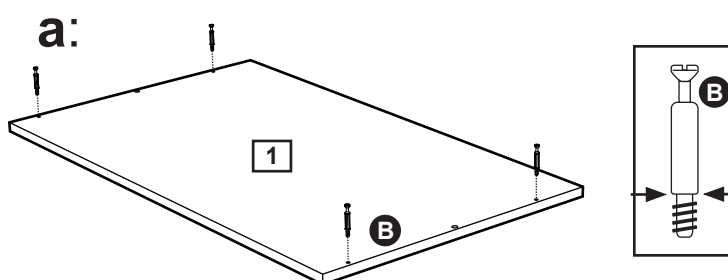


Step 4

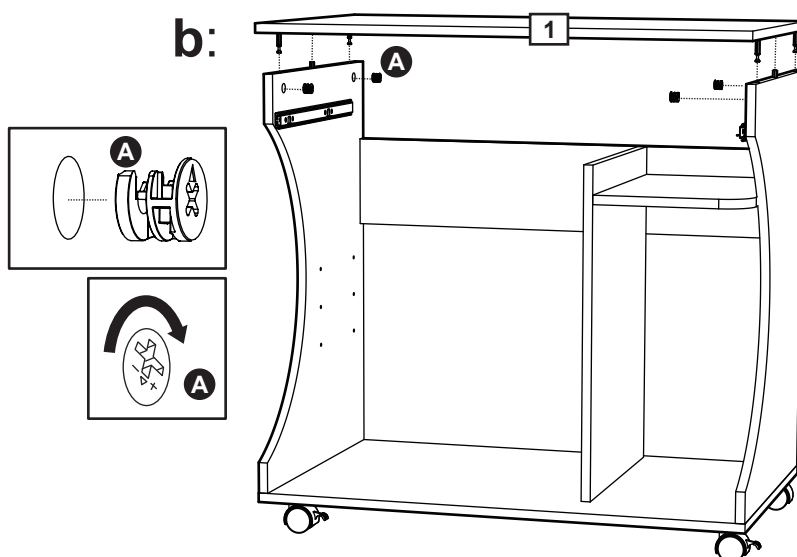
Fitting the top panel

Note: It would be useful to ask someone to help you at this stage.

a: Screw in Locking pins **B** onto Top **1**.



b: Use Locking nuts **A** to fix the Table top **1** onto the unit.



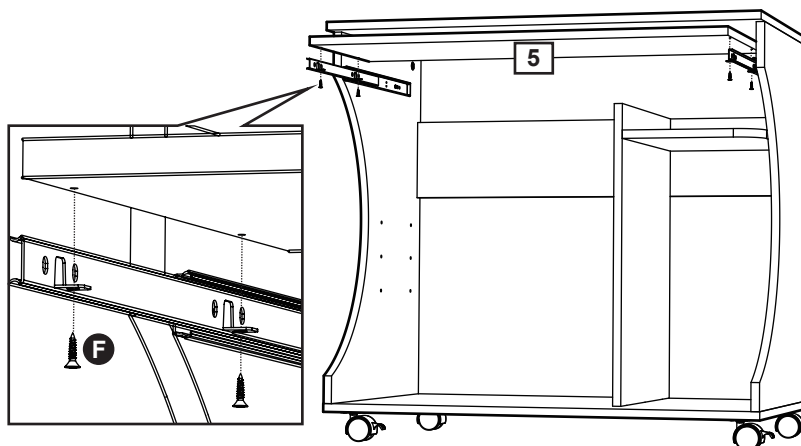
Assembly Instructions

Step 5

Fitting the drawer panel

Note: It would be useful to ask someone to help you at this stage.

Use Screws **F** to fix the Keyboard **5** onto the unit.



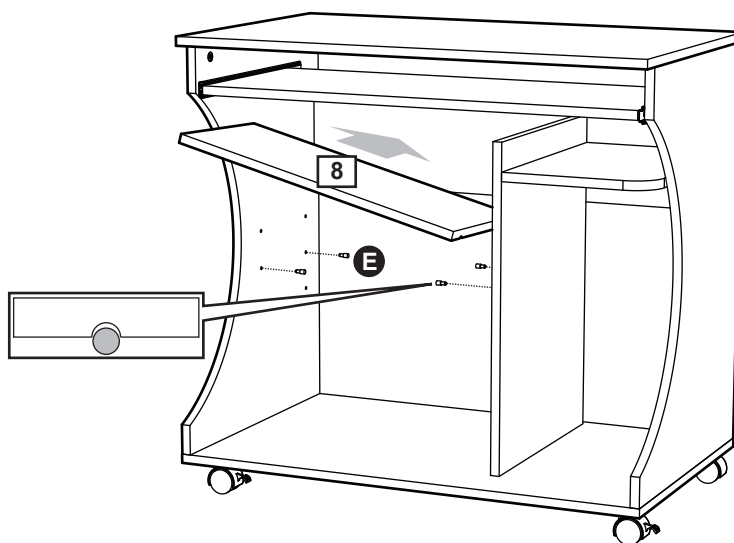
Step 6

Fitting the shelf

Place Shelf supports **E** into the unit.

Slide shelf **8** into the unit.

Note: Adjust the shelf supports to the desired height.

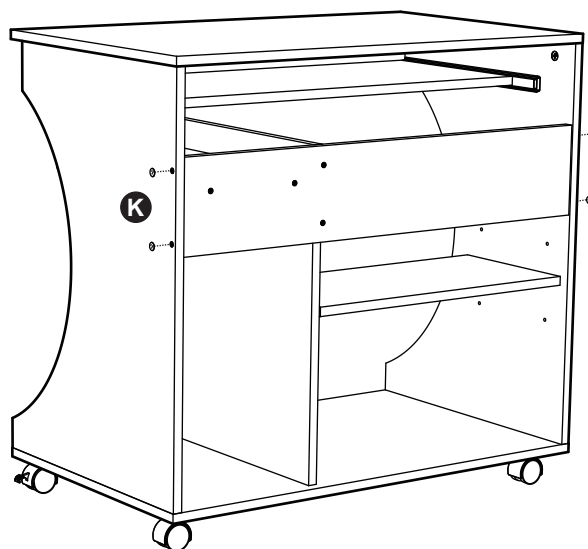


Step 7

Cover the screws

Use Cover caps **K** to cover the screws.

Assembly is complete.



If you need help or have damaged or missing parts, call the **Customer Helpline : 0345 6400800**