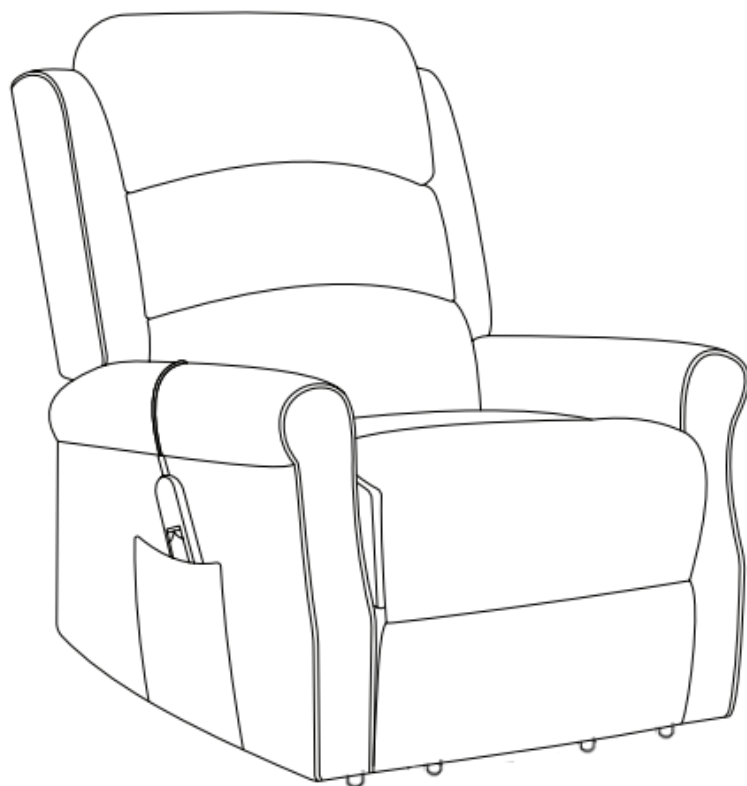


STEP 3

Your chair is ready for use.



KY101 RECLINER CHAIR

Thank you for your purchase. The following care instructions will allow you to make the most of your chair; helping to prolong the look and life of it by preventing wear and damage.

IMPORTANT INFORMATION

PLEASE ENSURE YOU READ THIS LEAFLET BEFORE USING YOUR CHAIR. DO NOT DISCARD OF ANY PACKAGING UNTIL YOU HAVE CHECKED THE PRODUCT THOROUGHLY.

CARING FOR YOUR CHAIR

- Pre-brush fabric with a soft brush and then gently vacuum.
- Plump any accent/removable cushions regularly to prevent them becoming mis-shaped or flat.
- Use a microfibre cloth to remove dust from wooden surfaces.
- In the event of a spill or stain, use specialist upholstery cleaner or cleaning services.

SUNLIGHT AND HEAT DAMAGE


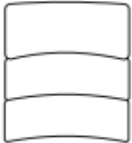



- Avoid contact with direct sunlight. If needed, move items or change their position to avoid the same area being exposed to repeated sunlight/heat.
- Do not place your chair close to fire places and/or radiators.
- Hot objects such as mugs/plates can permanently mark the fabric and wood, avoid placing these on the chair.

FABRIC CONTENT
MAIN FABRIC 100% POLYESTER
OTHER FABRIC (VISIBLE)
NON-WOVEN FABRIC 100% POLYESTER

SAFETY WARNINGS

- Do not allow children or pets to climb or jump on the chair or through the arms.
- Avoid contact with sharp objects such as buckles, toys and jewellery as these can easily snag, tear and/or pull the fabric.
- Avoid the risk of entrapment by using the chair as intended; sitting facing forward on the seat.
- Keep small parts away and out of reach of children and pets.
- Do not allow children to operate the chair mechanism.

PARTS LIST

IMAGE	DESCRIPTION	PART NO.	QTY
	Seat	A	1
	Back	B	1
	Ear (L)	C	1
	Ear (R)	D	1
	Wires & Transformer	E	1

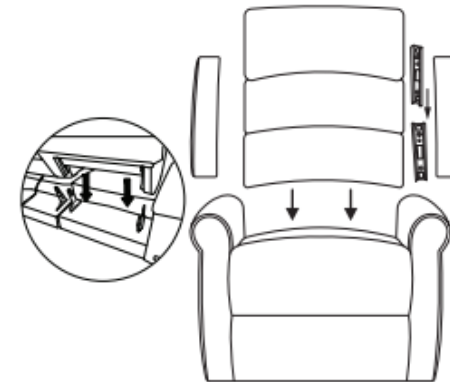
ASSEMBLY INSTRUCTIONS

Unpack your sofa bed and check that all the parts on the Parts List are present - these may be in a zip compartment within the base. If any are missing, please contact the retailer from whom you purchased the product.

We would advise having 2 people to assemble this product.

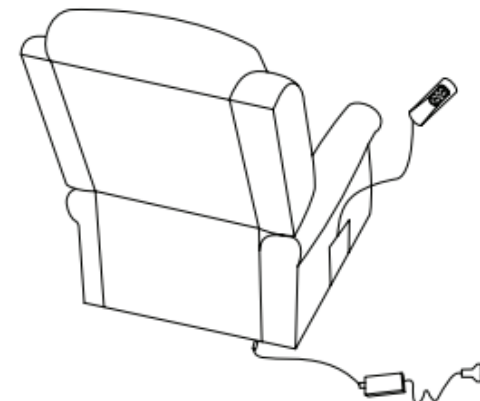
STEP 1

Assemble your chair on a flat, soft surface to prevent any damage. Attach the Wings to the Back and then the Back to the Seat.



STEP 2

Connect the Wires & Transformer to the Chair.



USER GUIDANCE & SAFETY WARNINGS

- Please keep these instructions for future reference.
 - Once items are fully assembled, they are not returnable unless faulty.
 - Assembly should be carried out by a competent person.
 - No liability will be accepted for damage or injury caused by incorrectly installed or assembled furniture.
 - This is an electrical item and should only be used indoors in a dry environment.
 - Always check that nothing is obstructing the free movement of the chair or left under the chair e.g. children, pets, solid objects.
 - This furniture should only be operated by a responsible adult - do not allow children to operate the mechanism and any children in the area must be supervised at all times.
 - Never sit on the leg rest as this will damage the furniture and may cause it to tip over.
 - Never allow more than one person to sit on the chair at one time as this will damage the furniture and may cause it to tip over.
 - If any part of the furniture is faulty, stop using and contact the customer service department from where you purchased the product.
 - Ensure cables are safely stored to avoid trip hazards, and to prevent cables becoming trapped in the chair mechanism.
- Do not allow children or pets to climb or jump on the sofa.
 - Avoid the risk of entrapment by using the sofa as intended; sitting facing forward on the seat.
 - Before first use, the chair should be tested to ensure that all functions are working correctly.
 - Keep small parts away and out of reach of children and pets.
 - Do not exceed the weight limit: 140kg/22st/311lbs per seat.



WASTE ELECTRICAL PRODUCTS SHOULD NOT BE DISPOSED OF WITH HOUSEHOLD WASTE. PLEASE RECYCLE WHERE FACILITIES EXIST. CHECK WITH YOUR LOCAL AUTHORITY FOR RECYCLING ADVICE.