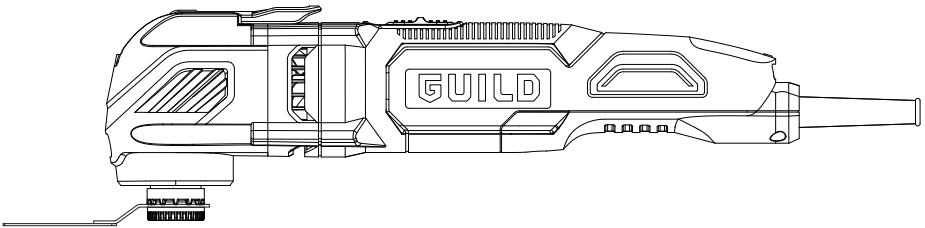


# GUILD

## 300W Oscillating Tool

Original Instruction Manual

PMF300GH.1



# GUILD

### After Sales Support

UK/Ireland 0333 3201989  
Help@guildpowertools.co.uk

**Important** - Please read these instructions fully before operating or maintaining your Guild High Frequency Oscillating Tool

These instructions contain important information that will help you get the best from your Guild Oscillating Tool, ensuring it remains safe to operate.

If you need help or have damaged or missing parts, call the Customer Helpline on 0333 3201989

# Contents

<b>Safety Information</b> .....	<b>3</b>
<b>In The Box</b> .....	<b>7</b>
<b>Accessories</b> .....	<b>7</b>
<b>Operating Instructions</b> .....	<b>8</b>
<b>Troubleshooting</b> .....	<b>12</b>
<b>Maintenance</b> .....	<b>12</b>
<b>Technical Data</b> .....	<b>13</b>
<b>Environmental Protection</b> .....	<b>14</b>
<b>Guarantee</b> .....	<b>15</b>
<b>Plug Replacement (Uk &amp; Ireland Only)</b> .....	<b>15</b>



# Safety Information

**Important - Please read these instructions fully before starting assembly**

## Warning Symbols

The following warning symbols appear throughout this assembly manual and indicate the appropriate safety measures you should take when assembling and operating the multi function tool.



To reduce the risk of injury, user must read instruction manual



Wear eye protection



Wear ear protection



Wear dust mask



Double insulation



Waste electrical products must not be disposed of with household waste. Please recycle where facilities exist. Check with your local authorities or retailer for recycling advice..



# Safety Information

**Important - Please read these instructions fully before starting assembly**

## General Power Tool Safety Warnings



**WARNING** Read all safety warnings, instructions, illustrations and specifications provided with this power tool. Failure to follow all instructions listed below may result in electric shock, fire and/or serious injury.

**Save all warnings and instructions for future reference.**

The term "power tool" in the warnings refers to your mains-operated (corded) power tool or battery-operated (cordless) power tool.

### 1) Work area safety

- a) **Keep work area clean and well lit.** Cluttered or dark areas invite accidents.
- b) **Do not operate power tools in explosive atmospheres, such as in the presence of flammable liquids, gases or dust.** Power tools create sparks which may ignite the dust or fumes.
- c) **Keep children and bystanders away while operating a power tool.** Distractions can cause you to lose control.

### 2) Electrical safety

- a) **Power tool plugs must match the outlet. Never modify the plug in any way. Do not use any adapter plugs with earthed (grounded) power tools.** Unmodified plugs and matching outlets will reduce risk of electric shock.
- b) **Avoid body contact with earthed or grounded surfaces, such as pipes, radiators, ranges and refrigerators.** There is an increased risk of electric shock if your body is earthed or grounded.
- c) **Do not expose power tools to rain or wet conditions.** Water entering a power tool will increase the risk of electric shock.
- d) **Do not abuse the cord. Never use the cord for carrying, pulling or unplugging the power tool. Keep cord away from heat, oil, sharp edges or moving parts.** Damaged or entangled cords increase the risk of electric shock.
- e) **When operating a power tool outdoors, use an extension cord suitable for outdoor use.** Use of a cord suitable for outdoor use reduces the risk of electric shock.
- f) **If operating a power tool in a damp location is unavoidable, use a residual current device (RCD) protected supply.** Use of an RCD reduces the risk of electric shock.

### 3) Personal safety

- a) **Stay alert, watch what you are doing and use common sense when operating a power tool. Do not use a power tool while you are tired or under the influence of drugs, alcohol or medication.** A moment of inattention while operating power tools may result in serious personal injury.
- b) **Use personal protective equipment. Always wear eye protection.** Protective equipment such as dust mask, non-skid safety shoes, hard hat, or hearing protection used for appropriate conditions will reduce personal injuries.
- c) **Prevent unintentional starting. Ensure the switch is in the off-position before connecting to power source and/or battery pack, picking up or carrying the tool.** Carrying power tools with your finger on the switch or energising power tools that have the switch on invites accidents.



# Safety Information

**Important - Please read these instructions fully before starting assembly**

## **General Power Tool Safety Warnings**

- d) **Remove any adjusting key or wrench before turning the power tool on.** A wrench or a key left attached to a rotating part of the power tool may result in personal injury.
  - e) **Do not overreach. Keep proper footing and balance at all times.** This enables better control of the power tool in unexpected situations.
  - f) **Dress properly. Do not wear loose clothing or jewellery. Keep your hair and clothing away from moving parts.** Loose clothes, jewellery or long hair can be caught in moving parts.
  - g) **If devices are provided for the connection of dust extraction and collection facilities, ensure these are connected and properly used.** Use of dust collection can reduce dust-related hazards.
  - h) **Do not let familiarity gained from frequent use of tools allow you to become complacent and ignore tool safety principles.** A careless action can cause severe injury within a fraction of a second.
- 4) Power tool use and care**
- a) **Do not force the power tool. Use the correct power tool for your application.** The correct power tool will do the job better and safer at the rate for which it was designed.
  - b) **Do not use the power tool if the switch does not turn it on and off.** Any power tool that cannot be controlled with the switch is dangerous and must be repaired.
  - c) **Disconnect the plug from the power source and/or remove the battery pack, if detachable, from the power tool before making any adjustments, changing accessories, or storing power tools.** Such preventive safety measures reduce the risk of starting the power tool accidentally.
  - d) **Store idle power tools out of the reach of children and do not allow persons unfamiliar with the power tool or these instructions to operate the power tool.** Power tools are dangerous in the hands of untrained users.
  - e) **Maintain power tools and accessories. Check for misalignment or binding of moving parts, breakage of parts and any other condition that may affect the power tool's operation. If damaged, have the power tool repaired before use.** Many accidents are caused by poorly maintained power tools.
  - f) **Keep cutting tools sharp and clean.** Properly maintained cutting tools with sharp cutting edges are less likely to bind and are easier to control.
  - g) **Use the power tool, accessories and tool bits etc. in accordance with these instructions, taking into account the working conditions and the work to be performed.** Use of the power tool for operations different from those intended could result in a hazardous situation.
  - h) **Keep handles and grasping surfaces dry, clean and free from oil and grease.** Slippery handles and grasping surfaces do not allow for safe handling and control of the tool in unexpected situations.
- 5) Service**
- a) **Have your power tool serviced by a qualified repair person using only identical replacement parts.** This will ensure that the safety of the power tool is maintained.



# Safety Information

**Important - Please read these instructions fully before starting assembly**

## **Safety instruction for cutting**

1. **Hold power tool by insulated gripping surfaces, when performing an operation where the cutting accessory may contact hidden wiring or its own cord.** Cutting accessory contacting a "live" wire may make exposed metal parts of the power tool "live" and could give the operator an electric shock.
2. **Additional safety rules:**
  - 1) Always wear eye protection.
  - 2) Always wear ear protection during extended periods of operation.
  - 3) Always inspect and remove all nails and screws etc before sanding.
  - 4) Always check walls and ceilings to avoid hidden power cables and pipes. A metal detector can be obtained from any good DIY store for this purpose.
  - 5) Use the original accessories and the tool provided, no others.
  - 6) Only use accessories in good condition. Do not use torn or worn accessories.
  - 7) Do not turn the machine on whilst any of the accessories are resting on or inserted into the work piece or material that you want to work with. Wait until the machine is up to full speed before proceeding with your task.
  - 8) Keep your hands away from cutting area. Do not reach under the material being cut.
  - 9) The operating instructions and the enclosed safety information should be kept carefully for later use and enclosed with the machine, should it be passed on or sold.

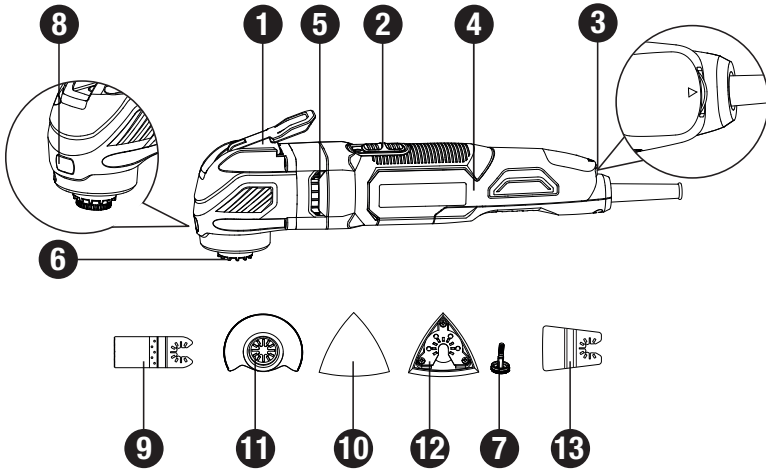
### **Safety warning for LED lamp**

**WARNING:** The LED lamp equipped with power tool is in excess of the Exempt Group. In order to avoid the viewer-related risk, operator shall be more careful and read all safety warnings and all instructions. Failure to follow the warnings and instructions may result in optical injuries.

# In The Box

## Parts

- 1 Tool-free blade change lever
- 2 On/Off switch
- 3 Variable speed
- 4 Handing area
- 5 Venting slots
- 6 Blade Interface
- 7 Flange
- 8 LED
- 9 Straight cutter
- 10 Mesh sanding sheet
- 11 Segment saw blade
- 12 Sanding pad
- 13 Scraping



# Accessories

	PMF300GH.1
Sanding sheet (80/100/120grit)	15
Sanding pad	1
3-1/8" Circular segment saw blade	1
Scraper	1
1-1/8" Standard straight cutter	1
1-3/8" Standard straight cutter	1

# Operating Instructions

## Operation instructions



**NOTE:** Before using the tool, read the instruction book carefully.

### Intended Use

The power tool is intended for sawing and remodelling wooden materials, plastic, plaster, non-ferrous metals and fasteners (e.g. nails and clamps) as well as for working on soft wall tiles and for dry grinding of small surfaces. It is especially suitable for working close to edges and for flush cutting.

### 1. ASSEMBLE ACCESSORIES

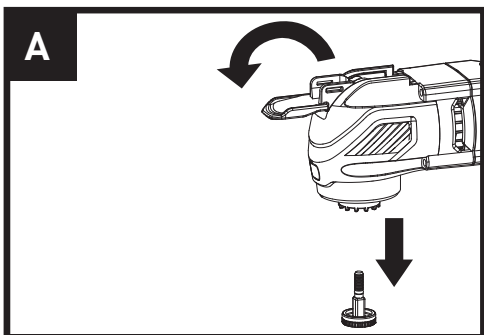


**CAUTION:** For all work or when assembling accessories, always wear protective gloves. Avoid risk of injury from the sharp edges of the accessories. Accessories can become very hot while working, presenting danger of burns! **Make sure the tool is unplugged prior to assembling accessories.**

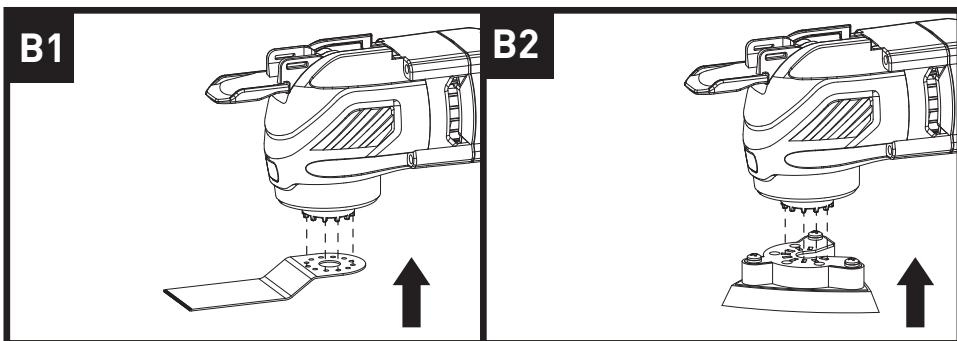


**WARNING:** To reduce the risk of injury, do not let the sharp side of the accessory face back toward the user's hand.

Flip the tool- free blade change lever (1) forward to the open position and take off the flange(6) from the machine. (SEE FIG. A)



Insert the accessory onto the blade interface(6) , Make sure/ ensure the accessory is on the right position of the blade interface(6). ( SEE EXAMPLE FIG. B1 B2 )

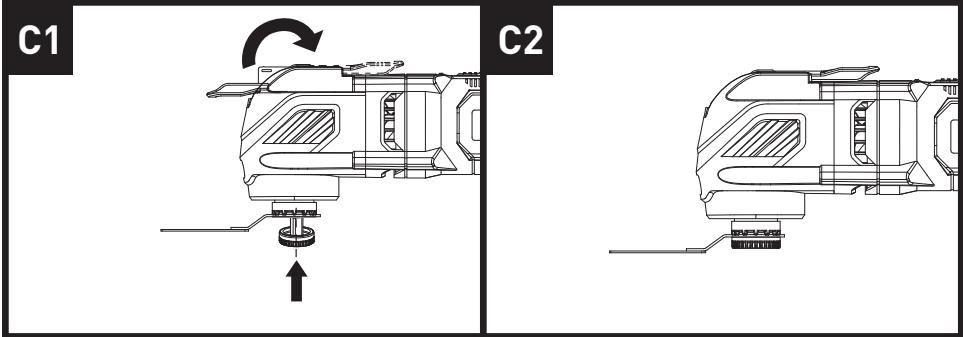




# Operating Instructions

## Operation instructions

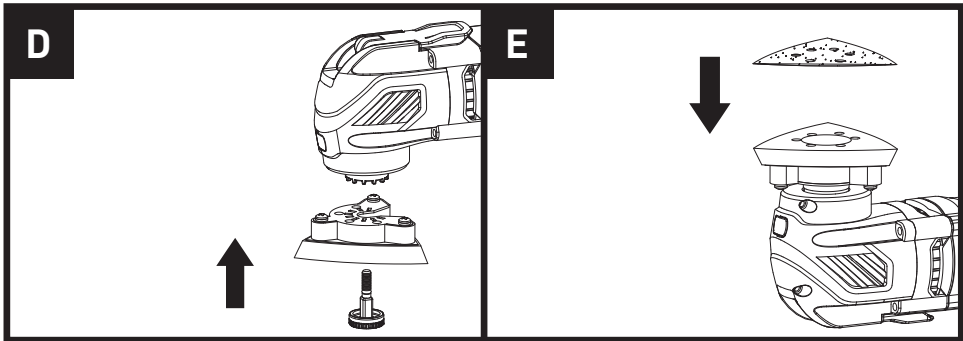
Re-insert the flange(7) , press the flange(7) to keep the blade or other accessory temporarily secure. Flip the tool- free blade change lever (1) back to original position to secure the accessory. (SEE FIG. C1 C2)



## ASSEMBLING / CHANGING THE SANDING SHEET (SEE FIG. D, E)

(1) please follow the same steps for assembling / changing as above instruction.

(2) Place the mesh sanding sheet directly onto the base plate and press the sheet onto the pad. Firmly press the oscillating tool with the installed sanding sheet against a flat surface and briefly switch the power tool on. This provides for good adhesion and prevents premature wear. If one point has become worn after use, pull off the sanding sheet, turn it 120°, and re-install.



## 2. OPERATING THE ON/OFF SWITCH (SEE FIG. F)

—Switching the power tool ON:

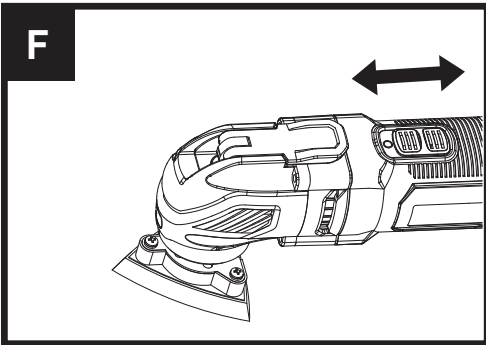
Slide switch forward.

—Switching the power tool OFF:

Slide switch backward.

# Operating Instructions

## Operation instructions



### 3. USING THE VARIABLE SPEED DIAL (SEE FIG. G)

Select oscillation frequency (speed) while the motor is running.

The Variable Speed Dial can be used to set the optimum oscillating frequency according to the accessories used and the respective application.

High oscillation frequency:

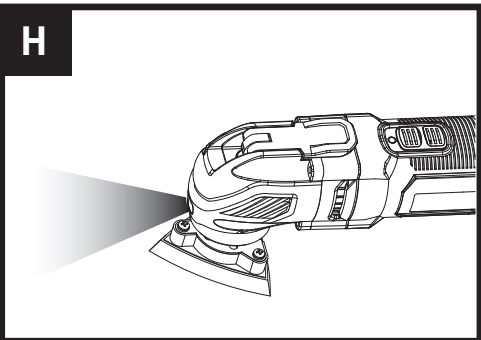
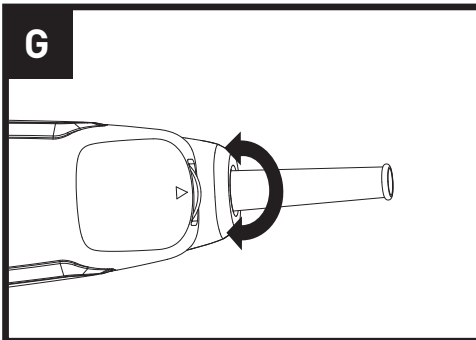
Sanding, sawing, rasping and polishing stone and metal.

Low oscillation frequency:

Scraping, polishing varnishes.

### 4. LED (SEE FIG. H)

The LED allows you to keep a clear view under less illuminated circumstances. To turn on the light, simply press the on/off switch. When you release the on/off switch, the light will turned off.



### 5. ELECTRONIC FEEDBACK

Your tool is equipped with an internal electronic feedback system which helps to keep the preselected speed virtually constant between no-load and load conditions.

# Operating Instructions

## Operation instructions

### APPLICATION


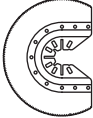





**WARNING:** The saw teeth are very sharp. Do not touch during mounting and application.

The workpiece must be clamped tightly before it is cut.

### UNIVERSAL ACCESSORIES

**NOTE:** Accessories also work with other competitive oscillating tools.

	Pic	Name	Application
Sawing		Bi-Metal Metal/ Wood End Cut Blade	Wood, plastic, fiberglass, nails, non-ferrous metals, thin sheet metal, hardened fillers
		HSS segment saw blade	Thin wood, plastic, fiberglass, non-ferrous metals, thin sheet metal, hardened fillers, window glazing
Sanding		Sanding base	Wood, plastic, hardened fillers
Removing grout		Diamond-Coated segment Saw Blade	Ceramic and stone tile, backerboard
Scraping		Rigid Scraper Blade	Old paint, hardened adhesives, caulk, carpet

**NOTE:** When plunging and sawing, use a slight pendulum motion, to allow sufficient chip removal.

The saw blade lasts longer if the wear is distributed evenly. To ensure an even distribution, loosen the saw blade, rotate it and retighten firmly.

Cut/Sand with a constant movement and light pressure.

Heavy pressure does not increase the cut/removal rate – the accessory merely wears faster.

# Troubleshooting

1. If your heat gun will not operate, check that it is plugged in, switched on and the fuse is intact.
2. If the gun has over-heated and is blowing only cool air, direct the flow away from your workpiece until the heat is restored.
3. If any fault cannot be rectified, please contact the helpline on the back of this booklet.

# Maintenance

**Remove the plug from the socket before carrying out any adjustment, servicing or maintenance.**

Your power tool requires no additional lubrication or maintenance. There are no user serviceable parts in your power tool. Never use water or chemical cleaners to clean your power tool. Wipe clean with a dry cloth. Always store your power tool in a dry place. Keep the motor ventilation slots clean. Keep all working controls free of dust. Occasionally you may see sparks through the ventilation slots. This is normal and will not damage your power tool.

If the supply cord is damaged, it must be replaced by the manufacturer, its service agent or similarly qualified persons in order to avoid a hazard.

# Technical Data

## Technical Data Table

Rated voltage	230-240V~50Hz
Power	300W
Oscillations speed	11000-20000/min
Oscillations angle	3.2°
Protection class	□/II
Tool weight	2kg

## Noise Information

A weighted sound pressure  
A weighted sound power

$L_{pA}$  : 79.5dB(A)  
 $L_{WA}$  : 90.5dB(A)  
 $K_{pA}$  &  $K_{WA}$  = 3.0dB(A)

Wear ear protection when sound pressure is over 80 dB (A)



## Vibration Information

Vibration total values (triax vector sum) determined according to EN 62841:	
Typical weighted vibration	Vibration emission value $a_h = 3.905m/s^2$
	Uncertainty $K = 1.5m/s^2$

The declared vibration total value and the declared noise emission value have been measured in accordance with a standard test method and may be used for comparing one tool with another.

The declared vibration total value and the declared noise emission value may also be used in a preliminary assessment of exposure.



**WARNING:** The vibration and noise emissions during actual use of the power tool can differ from the declared value depending on the ways in which the tool is used especially what kind of workpiece is processed dependant on the following examples and other variations on how the tool is used:

How the tool is used and the materials being cut or drilled.

The tool being in good condition and well maintained.

The use of the correct accessory for the tool and ensuring it is sharp and in good condition.

The tightness of the grip on the handles and if any anti vibration and noise accessories are used.

And the tool is being used as intended by its design and these instructions.

**This tool may cause hand-arm vibration syndrome if its use is not adequately managed.**



**WARNING:** To be accurate, an estimation of exposure level in the actual conditions of use should also take account of all parts of the operating cycle such as the times when the tool is switched off and when it is running idle but not actually doing the job.

This may significantly reduce the exposure level over the total working period.

# Technical Data

Helping to minimise your vibration and noise exposure risk.

Always use sharp chisels, drills and blades.

Maintain this tool in accordance with these instructions and keep well lubricated (where appropriate).

If the tool is to be used regularly then invest in anti vibration and noise accessories.

Plan your work schedule to spread any high vibration tool use across a number of days.

# Environmental Protection



Waste electrical products should not be disposed of with household waste. Please recycle where facilities exist. Check with your local authority or retailer for recycling advice.

# Guarantee

This product is selected for DOMESTIC USE ONLY and not for business use. This product is guaranteed against manufacturing defects for a period of 24 months. This does not cover the product where the fault is due to misuse, abuse, use in contravention of the instructions, or where the product has been the subject of unauthorised modifications or alterations, or has been the subject of commercial use. In the event of a problem with the product within the guarantee period please return it to your nearest store. If the item is shown to have an inherent defect present at the time of sale, the store will provide you with a replacement. Your statutory rights remain unaffected.

Issue1 10/2017

## Plug Replacement (Uk & Ireland Only)

If you need to replace the fitted plug then follow the instructions below.

### IMPORTANT

The wires in the mains lead are colored in accordance with the following code:

**Blue – Neutral**

**Brown – Live**

As the colors of the wires in the mains lead of this appliance may not correspond with the colored markings identifying the terminals in your plug, proceed as follows. The wire which is colored blue must be connected to the terminal which is marked with N. The wire which is colored brown must be connected to the terminal which is marked with L.



### WARNING!

Never connect live or neutral wires to the earth terminal of the plug. Only fit an approved 13ABS1363/A plug and the correct rated fuse.

**Note:** If a moulded plug is fitted and has to be removed take great care in disposing of the plug and severed cable, it must be destroyed to prevent engaging into a socket.

