

BUSH

Instruction manual

Cooker Hood
BHD60CHB





You'll soon be enjoying your new Cooker Hood

It all begins here, with your instructions. Don't worry, there's nothing too technical coming up. Just simple, step-by-step guidance to get you up and running quickly. Sound good? Then let's get started.

Help and Guidance

We're here to help you get the most from your Cooker Hood. Should you require any guidance, a simple solution can often be found online at:

www.bush-support.com

If you still require further assistance, call one of our experts on **0345 257 7271**.

Issue-1, 04/05/2026

Contents

1	Safety information		
	Safety information	6	
2	Getting to know your Cooker Hood		
	Ready? Let's begin	10	
3	Installing your Cooker Hood		
	Installation requirements	14	
	Unpacking	14	
	Mounting instructions	15	
	Fixing to the Wall	15	
	Fixing telescopic flue	16	
4	Using your Cooker Hood		
	Use and maintenance	18	
	How to replace charcoal filters	19	
	Cooker hood control panel	19	
5	Care and Maintenance		
	Cleaning		22
	Replacing lamps		22
	Technical specifications		23
6	Product support		
	Troubleshooting		26
	Help and assistance		27
	Declaration of conformance to product standards		28
	Disposal		28
	Guarantee		29

Safety information 1





Safety information

Important - Please read these instructions fully before installing or operating

INSTALLATION WARNINGS

IMPORTANT: This product MUST be installed by a qualified installer in accordance with local regulations.

IMPORTANT: Prior to Installation ensure that the local supply conditions (electricity voltage and frequency) are compatible with the requirements of your cooker hood.

IMPORTANT: Carefully unpack and examine the appliance for any damage. If you think there is a defect, do not use the appliance and contact Bush Product Support on 0345 257 7271. Packaging materials should be collected together and disposed of immediately as they may be harmful to children.

IMPORTANT: Ensure that the electric supply cable is not trapped or damaged during installation.

IMPORTANT: Protect your cooker hood against atmospheric effects. Do not expose your cooker hood to effects such as sun, rain, snow etc.

WARNING: The cooker hood must be mounted on the wall in accordance with the dimensions specified in the mounting diagrams.

WARNING: Install the cooker hood carefully, ensuring it does not come into contact with any metal parts of the building.

WARNING: Do not embed the cooker hood body into the wall, as this may result in electrical leakage.

IMPORTANT: Do not install the cooker hood in wet areas or damp rooms to avoid the risk of electric shock or damage.

IMPORTANT: Ensure the width of the gas hob is less than that of the cooker hood.

WARNING: The air must not be discharged into a flue that is used for exhausting fumes from appliances burning gas or other fuels.

IMPORTANT: When the range hood is located above a gas appliance, this distance shall be at least 65 cm.

WARNING: Failure to install the screws or fixing device in accordance with these instructions may result in electrical hazards.

IMPORTANT: This appliance is only intended to be installed over a hob with no more than four hob elements.

WARNING: If the supply cord is damaged, it must be replaced by the manufacturer, its service agent or similarly qualified persons in order to avoid a hazard.

If you require any technical guidance or find that your product is not operating as intended, a simple solution can often be found in the **Troubleshooting** section of these instructions.



Safety information

Important - Please read these instructions fully before installing or operating

DURING USAGE

IMPORTANT: This appliance is intended for domestic use only.

IMPORTANT: This appliance is not to be used by persons (including children) with reduced physical, sensory or mental capabilities, or lack of experience and knowledge, unless they have been given supervision or instruction. Children being supervised not to play with the appliance.

IMPORTANT: Always switch on the cooker hood during cooking. Failure to do so may cause damage to the appliance or result in malfunction due to excessive heat.

IMPORTANT: Never operate a gas hob without cookware placed on it. Excessive heat may cause damage to the cooker hood body and lead to appliance failure.

IMPORTANT: There shall be adequate ventilation of the room when the cooker hood is used at the same time as appliances burning gas or other fuels.

WARNING: Do not flame under the cooker hood.

CAUTION: Accessible parts may become hot when used with cooking appliances.

IMPORTANT: Condensation may form on the surface of the cooker hood when used in low-temperature conditions. If this occurs, wipe the surface dry before operating the appliance.

IMPORTANT: Refer to this instruction manual for details on cleaning methods and frequency.

WARNING: There is a fire risk if cleaning is not carried out in accordance with the instructions.

IMPORTANT: Always replace the aluminium filter of the cooker hood with an original spare part otherwise the suction power may be reduced in addition to the reduction of service life.

WARNING: The LED lamps become hot during use, do not touch the surface.

IMPORTANT: The lamp is designed specifically for use in cooker hood. It is not suitable for household room illumination.

WARNING: Disconnect the mains power before changing bulbs. The light bulb(s) in this appliance is replaceable only by qualified engineers.

CAUTION: This cooker hood must be kept clean. Oil or residue build up could be a fire hazard.

SERVICE

IMPORTANT: Any electrical work required to do the servicing of the appliance should be carried out by qualified electrician or competent updated.

IMPORTANT: This product must be serviced by an authorized Service agent, and only genuine spare parts must be used. Installation by anyone other than an authorized agent may cause your warranty to be void.

IMPORTANT: Do not attempt to repair the appliance yourself. Contact the Customer Helpline: 0345 247 7271.

Getting to know your Cooker Hood

2



Getting to know your Cooker Hood

You'll be up and running in no time

Ready? Let's begin...

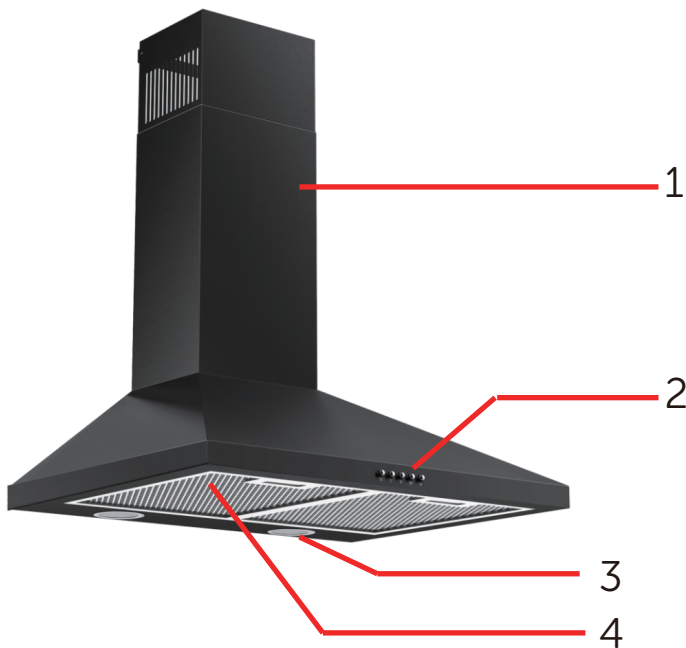
Please read these instructions carefully. They contain important information which will help you get the best from your Cooker Hood and ensure safe and correct installation and operation.

If you require any further assistance, our technical experts are happy to help. For full details, refer to the product support section at the end of these instructions.

If you require any technical guidance or find that your product is not operating as intended, a simple solution can often be found in the Troubleshooting section of these instructions,

Getting to know your Cooker Hood

You'll be up and running in no time



1. Flue
2. Control Buttons
3. LED Lamps
4. Aluminum Filter

Accessories



Wall plugs (4)



Washer (4)



Screws ST4 X 40 (4)



Screws ST3.5 X 9.5 (2)



Fixing Bracket (1)

Unpack the main unit and accessories, and verify that all items specified above are present.

Installing your Cooker Hood

3



Installing your Cooker Hood

Bringing it all together

Installation requirements

THIS COOKER HOOD MUST BE INSTALLED BY A COMPETENT PERSON TO LOCAL REGULATIONS

Unpacking

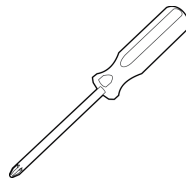
Carefully unpack and examine the appliance for any damage. If you think there is a defect, do not use the appliance and contact Product Support on **0345 257 7271**.

Packaging materials should be collected together and disposed of immediately as they may be harmful to children.

Tools Required For Installation

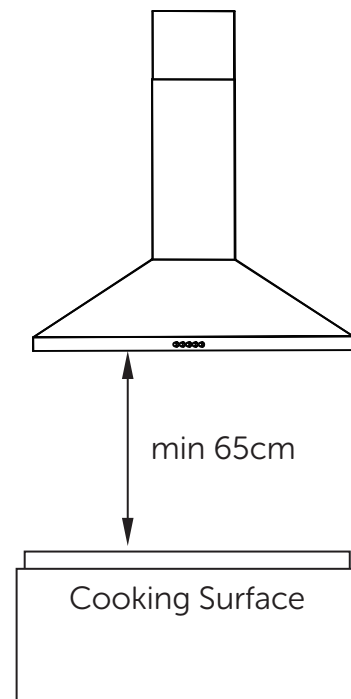
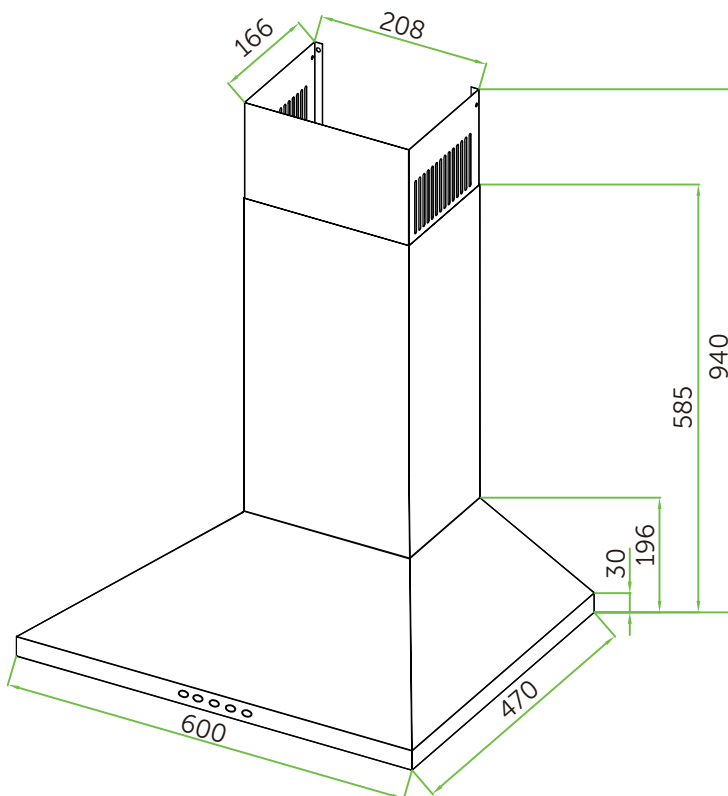


Electric Drill



Cross-end and Flat head Screwdriver

PLEASE NOTE: The cooker hood must be installed at a minimum of 65cm above the hob



If you require any technical guidance or find that your product is not operating as intended, a simple solution can often be found in the Troubleshooting section of these instructions,

Installing your Cooker Hood

Bringing it all together

WARNING: Failure to install the screws or fixing device in accordance with these instructions may result in electrical hazards.

Mounting Instructions

Preparing the installation

Caution! Ensure that there are no electric wires, gas or water pipes in the area where holes are to be made.

Fixing to the Wall

Ensure the fixings used for this hood are suitable. Check the area where the hood is to be fitted, to ensure that it is structurally sound and will support the weight of the appliance. Do not install direct onto plaster board using "Wall mates" or other similar anchors.

Cooker hood must be fixed into studs or noggins in the wall to ensure it is secure and minimize vibration in the wall.

Drill holes (A) according to the distances indicated (Fig.1)

Install 2 screws and hang the hood on the wall.

Once the hood is adjusted to the correct position, tighten the 2 screws and install other screws where necessary to ensure hood is properly secured against the wall.

For various installation types, use screws and screw anchors suited to the type of wall (e.g.reinforced concrete, plasterboard, etc.). If the screws and screw anchors are provided with the product, check that they are suitable for the type of wall on which the hood is to be fixed.

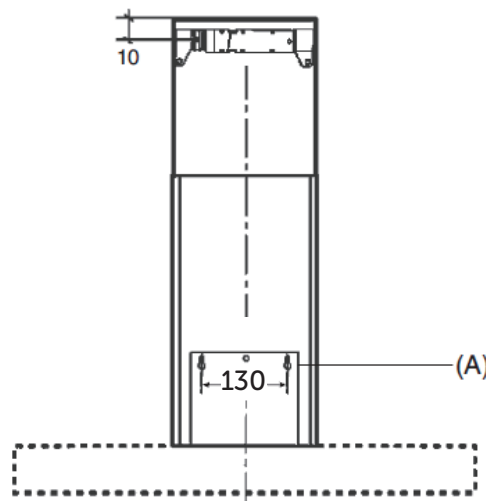


Fig.1

Installing your Cooker Hood

Bringing it all together

WARNING: Failure to install the screws or fixing device in accordance with these instructions may result in electrical hazards.

Fixing the Decorative Telescopic Flue

Arrange the electrical power supply within the dimensions of the decorative flue.

Prepare the hole in the ceiling or wall for the evacuation of the air.

Fix the upper flue cover to the support bracket with screws (B) (Fig.2)

Install butterfly flaps into the outlet on the top of the hood (C) (Fig.3).

Connect the ductwork to the outlet with a cable tie or suitable tape. Do not use screws.

Slide the lower flue cover down into the top of the hood.

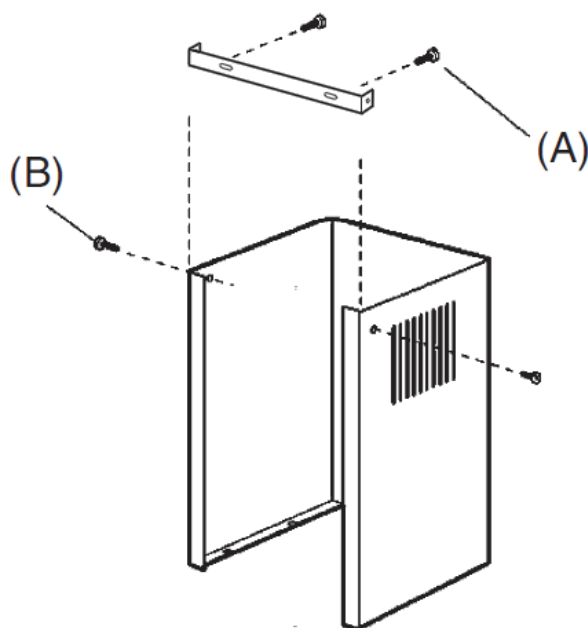


Fig.2

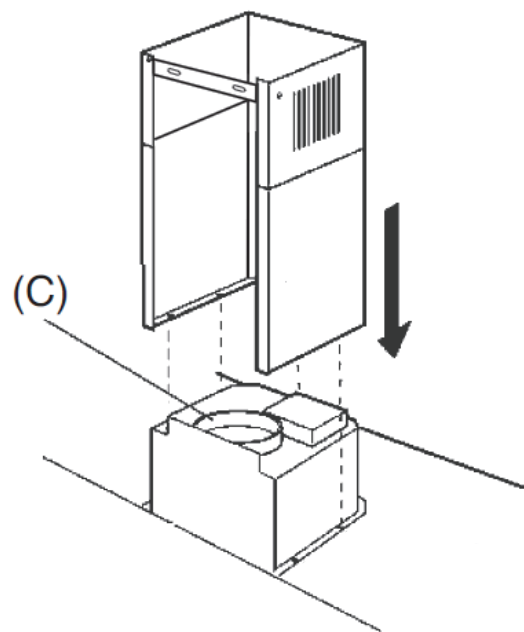


Fig.3

If you require any technical guidance or find that your product is not operating as intended, a simple solution can often be found in the Troubleshooting section of these instructions.

Using your Cooker Hood

4



Using your Cooker Hood

Getting the most from your appliance

USE AND MAINTENANCE

It is recommended to operate the appliance prior to cooking.

It is recommended to leave the appliance in operation for 15 minutes after cooking is terminated in order to completely eliminate cooking vapors and odours.

The proper function of the cooker hood is conditioned by the regularity of the maintenance operations, in particular, the charcoal filters (not included). The anti-grease filter captures the grease particles suspended in the air, and are therefore subject to build up of oil and grease depending on how frequently the appliance is used.

In order to prevent fire hazard, it is recommendable to clean the filter every 2 months by carrying out the following instructions:

- Remove the filter from the cooker hood and wash it in a solution of water and neutral liquid detergent, leaving to soak.
- Rinse thoroughly with warm water and leave to dry.
- The filter may also be washed in the dishwasher.

Please take note that the aluminum panels may alter in color after several washes.

If the cooker hood is operating in recirculation mode, (without ducting to the outside air) then charcoal filters must be purchased and regularly replaced. They are not washable or reusable and it is recommended that they are replaced every 4 months.

The saturation of the active charcoal filters depends on the frequency of use of the appliance, and also by the type of cooking and the regularity of cleaning of the anti-grease filters.

To remove the charcoal filters place your hand on one filter at a time and turn it clockwise. The charcoal filter can now be removed. Always ensure that both filters are changed at the same time. (see page 19 for further instructions).

Clean the fan and other surfaces of the cooker hood regularly using a cloth moistened with non abrasive liquid detergent. The cooker hood lighting is designed for use during cooking and not for prolonged general lighting of the kitchen. Prolonged use of the lighting notably reduces the lifetime of the bulb.

Use a flat head screwdriver to lift and remove the overhead light fixture. When replacing a damaged lamp, use only LED lamps, avoiding contact with hands. Return the light fixture to its position using snap fastening. (See page 20 for instructions).

Using your Cooker Hood


Getting the most from your appliance

Replacing the Charcoal Filters


Charcoal filters are supplied with the appliance and can also be obtained via the product support helpline.

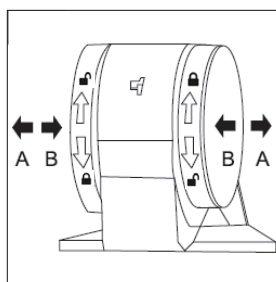
Refer to the diagram below:

To install:

Insert the charcoal filter in the direction of arrow B, then rotate the filter in the indicated direction to lock .

To remove:

Rotate the filter in the indicated direction to unlock , then pull outwards in the direction of arrow A.

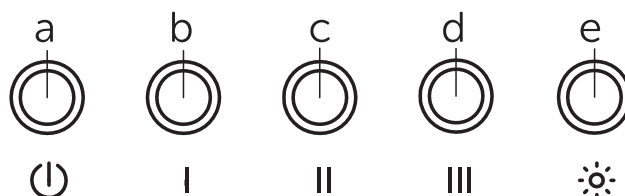


Warning

Use charcoal filters when your hood is in internal circulation. Exhaust pipe is unnecessary in this situation.

Cooker Hood Control Panel

The cooker hood has a 5 button control panel as shown in the image below.



- Fan stop button
- Low speed button
- Medium speed button
- High speed button
- Light button

Care and maintenance 5



Care and maintenance

Looking after your appliance

Cleaning

WARNING! Isolate the power supply to the cooker hood before cleaning the appliance.

Do not clean using caustic creams, abrasive cleaning powders, thick wire wool or hard tools.

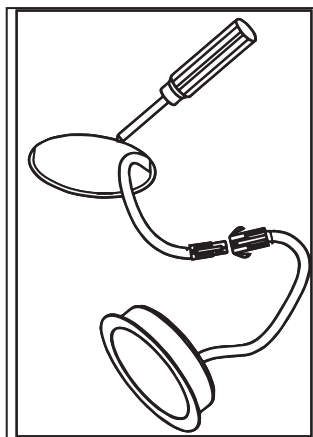
Clean the glass surfaces with special glass cleaning agents.

Never use flammable agents like acid, thinner or petrol when cleaning your cooker hood.

Do not clean your cooker hood with a steam cleaner.

Replacing Lamps

If your lamps require changing please contact a qualified Electrician.



Stainless Steel (If applicable):

Stainless steel parts must be cleaned frequently with mildly warm soapy water and a soft sponge and then dried with a soft cloth. Do not use abrasive powders or abrasive cleaning materials. Do not leave anything spilled onto stainless steel parts for long periods of time.

Care and maintenance

Looking after your appliance

Technical specification

Rating: 220-240V 50/60Hz 54W

Push Button

50W motor

Extraction and Recirculation options

Aluminum Grease Filters

3 fan speed

2 x LED lights (Energy Efficiency Class G)

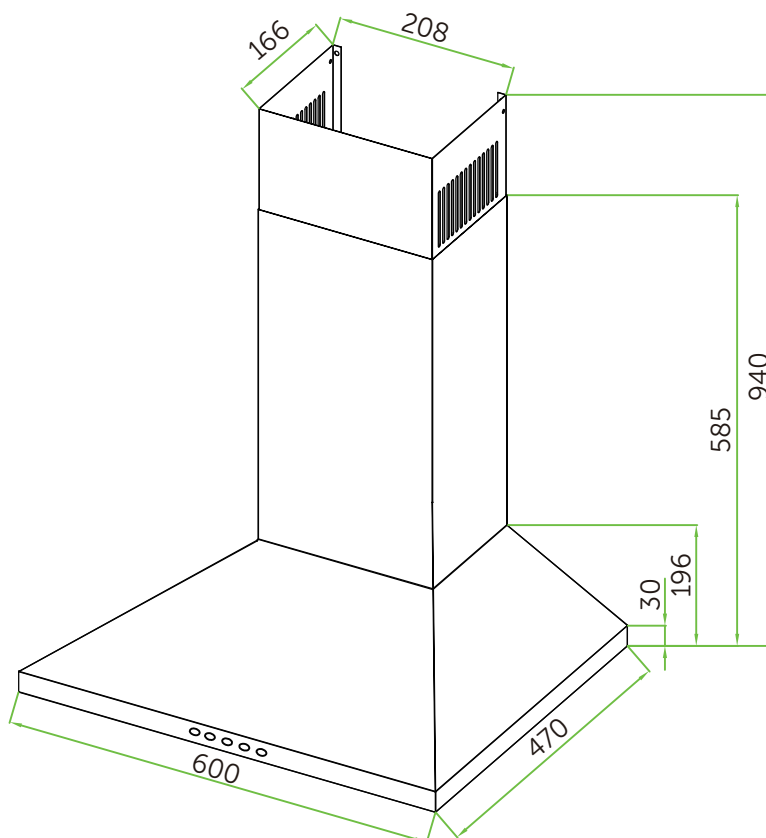
379.2m³/h Max extraction

Adjustable chimney height range 389-744 mm

Product dimensions 585-940 x 600 x 470 mm (HxWxD)

We apologise for any inconvenience caused by minor inconsistencies within these instructions that may occur due to product improvements and development.

All images and drawings are for illustration purposes only.



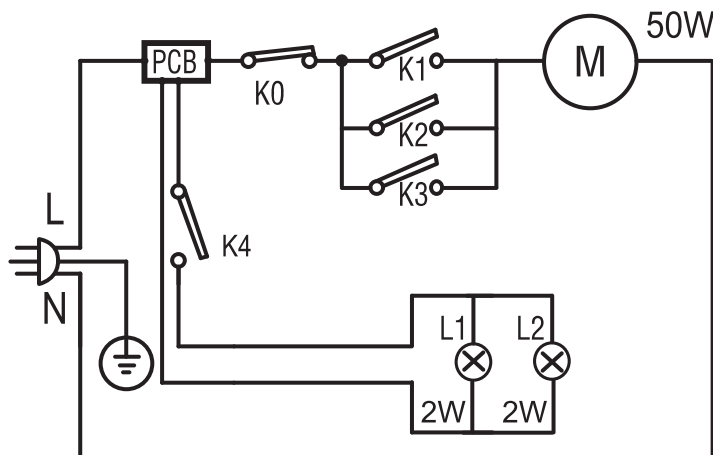
Care and maintenance

Looking after your appliance

Energy fiche

	Symbol	Value	Unit
Brand	-	BUSH	-
Model identification	-	BHD60CHB	-
Annual Energy Consumption	AEC _{hood}	16.0	kWh/a
Time increase factor	f	1.2	-
Fluid Dynamic Efficiency	FDE _{hood}	22.4	-
Energy Efficiency Index	EEl _{hood}	47.3	-
Measured air flow rate at best efficiency point	Q _{BEP}	203.0	m ³ /hr
Measured air pressure at best efficiency point	P _{BEP}	116	Pa
Maximum air flow	Q _{max}	379.2	m ³ /hr
Measured electric power input at best efficiency point	W _{BEP}	29.2	W
Nominal power of the lighting system	W _L	4.4	W
Average illumination of the lighting system on the cooking surface	E _{middle}	250	lux
Measured power consumption in standby mode	P _s	N/A	W
Measured power consumption off mode	P _o	0.36	W
Sound power level	L _{WA}	Highest setting: 62 Lowest setting: 48	dB

Circuit Diagram



If you require any technical guidance or find that your product is not operating as intended, a simple solution can often be found in the Troubleshooting section of these instructions.

Product support 6



Product support

Help is always at hand

Troubleshooting

DO NOT ATTEMPT TO REPAIR THIS COOKER HOOD YOURSELF.

For assistance, contact BUSH Product Support on 0345 257 7271.

Problem	Possible reason	Solution
Hood doesn't work	No electric supply	Check whether the plug is connected
		Check whether the main switch is turned on
Poor airflow	Aluminum grease filters clogged	Clean the filters, assembly back when dry
	Charcoal filters clogged	Replace the charcoal filters
Motor running without air flow	Butterfly valve jammed	Contact technician
After running for a while, motor stop working	High temperature safety device activated	The kitchen is not sufficiently ventilated
	The hood is being installed too near to the cooking stove	The hood must be least 65cm of distance from the stove
Strong cooking smell	Charcoal filters not fitted	In re-circulating mode, charcoal filters must be installed

If you require any technical guidance or find that your product is not operating as intended, a simple solution can often be found in the Troubleshooting section of these instructions.

Product support

Help is always at hand

Help and assistance

If you require any technical guidance or find that your Cooker Hood is not operating as intended, a simple solution can often be found in the Troubleshooting section of these instructions or online at www.bush-support.com

If you still require further assistance, call one of our experts on **0345 257 7271***. To help give us give you a fast and efficient service please have the following information ready:

Model Ref.	<input type="text"/>	You can find these on the rating plate - a small information panel (usually a sticker or metal plate) on the rear of your appliance
Serial number	<input type="text"/>	
Date of purchase	<input type="text"/>	This will be shown on your receipt

Local call rates applies*

Line opens 9am-6pm Monday to Saturday and 10am-6pm Sunday.

*Calls to Bush enquiry lines may attract a charge and set up fee from residential lines depending on your call plan/tariff. Mobile and other providers costs may vary, see www.bt.com/pricing for details.

For Security and training purposes, telephone calls to and from customer service centres maybe recorded and monitored. Calls from Republic of Ireland will attract international call charges.

Product support

Help is always at hand

Declaration of conformance to product standards

This appliance conforms to all relevant standards applicable to domestic appliances sold in the UK

Disposal



This appliance/fitting is marked according to the European directive 2012/19/EU on Waste Electrical and Electronic Equipment (WEEE).

By ensuring this product is disposed of correctly, you will help prevent potential negative consequences for the environment and human health, which could otherwise be caused by inappropriate waste handling of this product.

The symbol on the product, or on the documents accompanying the product, the **crossed out wheellie bin** symbol, indicates that this appliance/fitting may not be treated as household waste. Instead it shall be handed over to the applicable collection point for the recycling of electrical and electronic equipment.

Disposal must be carried out in accordance with local environmental regulations for waste disposal.

For more detailed information about treatment, recovery and recycling of this product, please contact your local authority, your household waste disposal service or the retailer where you purchased the product.



Call us now and activate your 12 month guarantee

Thank you for choosing Bush. Your new product is guaranteed against faults and breakdowns for 12 months. Don't forget to register it with us today so we can provide you with our best possible after-sales service and useful updates.

www.bushregistration.co.uk

FREEPHONE*

0800 597 8548

Lines open 09:00- 17:30 Monday to Friday.

Your Bush Guarantee

This product is guaranteed for twelve months from the date of original purchase. Any defect that arises due to faulty materials or workmanship will be repaired free of charge (or if applicable the product will be replaced or the purchase price refunded) where possible during this period by the dealer from who your purchased the unit.

The guarantee is subject to the following provisions:

- The guarantee does not cover accidental damage, misuse, cabinet parts, knobs or consumable items.
- The product must be correctly installed and operated in accordance with the instructions contained in the manual.
- It must be used solely for domestic purposes. The guarantee will be rendered invalid if the product is re-sold or has been damaged by inexpert repair.
- Specifications are subject to change without notice.
- Bush disclaim any liability for loss or damage arising from the breakdown of the product.
- This guarantee is in addition to and does not diminish your statutory or legal rights.

Important Data Protection Information

To find out how we and Domestic & General Insurance Plc use your data please refer to the guarantee registration material or visit www.bushregistration.co.uk

BUSH

Produced in China for
Argos Limited, London, EC1M 6HA, UK.
Argos (N.I.) Ltd., Forestside Shopping Centre,
Upper Galwally, Belfast, BT8 6FX, UK.

Contact:
www.argos-support.co.uk
www.bush-support.com
Helpline: 0345 257 7271