

Gebrauchsanweisung

Instructions for use

Mode d'emploi

Gebruiksaanwijzing

Istruzioni per l'uso



Brugsanvisning

Bruksanvisning

Käyttöohje

Manual de utilização

Instrucciones para el uso



Οδηγίες χρήσης

Instrukcje użytkowania

Használati utasítás

Инструкция за употреба



Návod k použití

Návod na použitie

Instrucțiuni de utilizare

Инструкции по эксплуатации

USING FOR THE FIRST TIME

Plug in the appliance.

A beep may be emitted by some models, to indicate that the temperature alarm has intervened: press the button to switch off acoustic alarms.

Note: After turning the appliance on, you must wait for 4-5 hours for the correct storage temperature to be reached for a normally filled appliance.

MAINTENANCE AND CLEANING OF THE APPLIANCE

Periodically clean the appliance with a cloth and a solution of lukewarm water and neutral detergent specifically for refrigerator interiors. Never use abrasive detergents.

Before any cleaning or maintenance operation, unplug the appliance from the mains or disconnect the electrical power supply.

LED REPLACEMENT (depending on the model)

Always disconnect the appliance from the power supply before replacing the light bulb. Then follow the instructions based on the type of light bulb for your product.

Replace the light bulb with one with the same features, available from the Technical Assistance Service and authorised sellers.

The light system inside the refrigerator compartment uses LEDs light, allowing a better lightning than traditional light bulbs as well as a very low energy consumption.

Contact the Technical Assistance Service if you need a replacement.

Important: The refrigerator compartment light switches on when the refrigerator door is opened.



WHEN THE APPLIANCE IS NOT USED

Disconnect the appliance from the power supply, empty it, defrost it (if necessary) and clean it. Keep the doors slightly ajar to let air circulate inside. By doing this, you avoid the development of mould and bad odours.

POWER FAILURE

In the event of a power failure, call the local office of your electricity supply company and ask how long it is going to last.

Note: Bear in mind that a full appliance will stay cold longer than a partially filled one.

If ice crystals are still visible on the food, it may be frozen again, although flavour and aroma may be affected.

If food is found to be in a poor condition, it is best to throw it away.

For power failures lasting up to 24 hours.


1. Keep the door of the appliance closed. This will allow the stored food to stay cold as long as possible.

For power failures lasting more than 24 hours.

1. Empty the freezer compartment and arrange the food in a portable freezer. If this type of freezer is not available and, likewise, no artificial ice packs are available, try to use up the food, which is more easily perishable.

2. Empty the ice tray.

FREEZER COMPARTMENT

The freezer compartment  allows for the storage of frozen food (for the period indicated on the packaging) and the freezing of fresh food. The quantity of fresh food that can be frozen in 24 hours is written on the rating plate. Arrange the fresh food in the freezing area inside the freezer compartment (see Quick Guide), leaving enough space around the food packages to allow air to circulate freely. It is advisable that you do not re-freeze food that has partially defrosted. It is important to wrap the food in a way that prevents the ingress of water, humidity or condensation.

Making ice cubes

Fill 2/3 of the ice tray (if available) with water and put it back in the freezer compartment. Do not use sharp or pointed objects to remove the ice under any circumstances.

Removing the drawers (depending on the model)

Pull the drawers outwards as far as they will go, lift them up and remove them. To get more volume, the freezer compartment can be used without the drawers.

Make sure that the door is closed properly after putting the food back on the grilles/shelves.

Attention: product accessories must not be washed in a dishwasher.

Note: Ambient air temperature, the frequency of door opening and the position of the appliance can affect the product internal temperature. Set the temperature based on these factors.

HOW TO DEFROST THE FREEZER COMPARTMENT (depending on the model)

It is not necessary to carry out any defrosting operations for the no frost models because it happens automatically.

For other models, the build up of frost is a normal occurrence.

The quantity and speed of frost accumulation varies depending on the ambient conditions and how often the door is opened. It is advisable to set the temperature colder or, if available, turn on the quick freeze function (see Quick Guide) four hours before removing the food from the freezer compartment, to prolong the preservation of the food during the defrosting phase. To defrost, turn the appliance off and remove the drawers. Put the frozen food in a cool place. Leave the door open to allow the frost to melt. To prevent the water from escaping during the defrost, it is advised that you place an absorbent cloth on the bottom of the freezer compartment and wring it out regularly.

Clean the inside of the freezer compartment and dry it carefully.

Turn the appliance back on and put the food back inside.

STOP FROST SYSTEM (depending on the model)

The STOP FROST SYSTEM (available depending on the model) facilitates the defrost procedure for the freezer compartment. The STOP FROST accessory (figure 1) is designed to collect some of the frost that forms in the freezer compartment and it is easy to remove and clean, therefore reducing the time needed to defrost the inside of the freezer compartment.

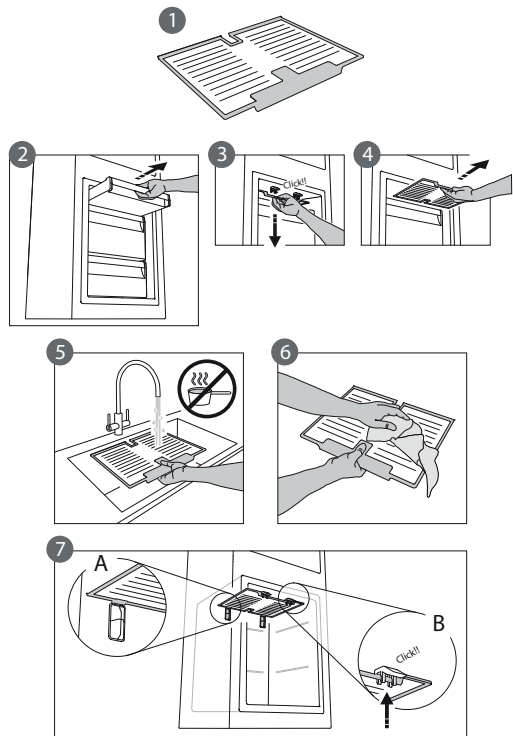
To remove the frost on the STOP FROST accessory follow the cleaning procedure demonstrated below.

PROCEDURE TO CLEAN THE STOP FROST ACCESSORY

- Open the freezer compartment door and remove the upper drawer (figure 2).
- Unfasten the STOP FROST accessory (figure 3) and remove it (figure 4), taking care not to drop it on the glass shelf below.
Note: if the accessory is jammed or difficult to remove, do not keep trying to remove it, but proceed with the complete defrost of the freezer compartment.
- Close the door to the freezer compartment.
- Remove the frost on the accessory by rinsing it under running (not hot) water (figure 5).
- Let the accessory drip dry and dry the plastic parts with a soft cloth.
- Reinsert the accessory by placing the back part on the projections shown in figure 7-A, then refasten the handle of the accessory to the clasps above (figure 7-B).
- Reinsert the upper drawer and close the door to the freezer compartment.

It is possible to clean the STOP FROST accessory on its own without completely defrosting the freezer compartment. Cleaning the STOP FROST accessory regularly helps to reduce the need to completely defrost the freezer compartment.

Note: the product specifications, including volume and energy, are calculated without the STOP FROST accessory.



SHOCK FREEZE ❄️ (depending on the model)

The “Shock Freeze” compartment is specifically designed to freeze up to 2 kg of fresh food extremely quickly. The ultra-fast “Shock Freeze” function minimizes the formation of ice crystals inside the food as it freezes, thus ensuring it is of the best possible quality when defrosted prior to consumption. When the “Shock Freeze” function is not active, the compartment can be used as normal for traditional freezing or for the storage of already frozen foods.

Note: When the Shock Freeze function is active you may hear a humming sound. This is absolutely normal and is caused by airflow that permits optimum cold distribution inside compartment.

Activating and deactivating the “Shock Freeze” function:

1. Make sure at least 12 hours have passed since the last time the “Shock Freeze” function was activated (if at all). Do not activate the function more frequently than once every 12 hours.
2. Make sure that the “Fast Freeze” function is not active: “Shock Freeze” and “Fast Freeze” functions cannot be active together at the same time.
3. Empty the “Shock Freeze” compartment.
4. Activate the “Shock Freeze” function by briefly touching the button on the control panel: the icon lights up and the fans on the bottom of the compartment come on, increasing the flow of cold air and accelerating the freezing process as a result.
5. Place the food to be frozen inside the compartment, a few centimeters (min. 2 cm) away from the fans on the back of the compartment, so that cold air can circulate 17
6. To achieve maximum freezing speed, we recommend not to deactivate the “Shock Freeze” function until its automatic deactivation, keeping closed the door
7. The “Shock Freeze” function is automatically deactivated 4-5 hours after its activation: the indicator switches off and the fans are deactivated. The “Shock Freeze” function may nevertheless be switched off at any time as desired, by briefly pressing the button on the control panel: the indicator switches off and the fans are deactivated.

Attention:

• Incompatibility with the “Fast Freeze” function

To guarantee optimal performance, the “Shock Freeze” and “Fast Freeze” functions cannot be used at the same time. Therefore, if the “Fast Freeze” function has been already engaged, it has to be disengaged first to activate the “Shock Freeze” function (and vice-versa).

• If the fans in the Shock Freeze compartment do not start working

After the “Shock Freeze” function has been activated, it may happen that the indicator lights up as expected, but the fans do not start working. This is normal and means that freezer defrosting is in progress. At the end of the defrosting phase (maximum duration: 1.5 hours), the fans will automatically start working and the “Shock Freeze” process will begin as normal.

• If the indicator does not light up

If, after the button is pressed, the icon lights up: in this case the button has been pressed for too long. To activate the “Shock Freeze” function, first deactivate the Fast Freeze function (holding the button for 3 seconds, then briefly touch the button, without keeping it pressed for more than 1 second).

TECHNICAL ASSISTANCE SERVICE

Before contacting the Technical Assistance Service:

Restart the appliance to check if the problem has been solved. If not, disconnect the appliance again and repeat the procedure after one hour.

If, after having completed the checks listed in the guide for malfunctions and after restarting the appliance, your appliance continues to function incorrectly, contact the Technical Assistance Service, clearly describing the problem and stating:

- the type of malfunction
- the model

- the type and serial number of the appliance (written on the rating plate)
- the Service number (if available) (the number that is after the word SERVICE on the rating plate placed inside the appliance)

SERVICE 0000 000 00000



Note:

Reversing the doors of the appliance, if carried out by the Technical Assistance Service, is not considered as a warranty claim.

400010865208

