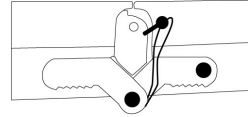
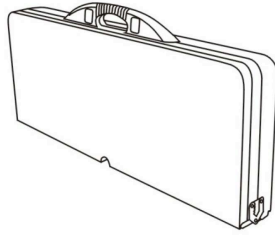


FOLDING CAMPING TABLE

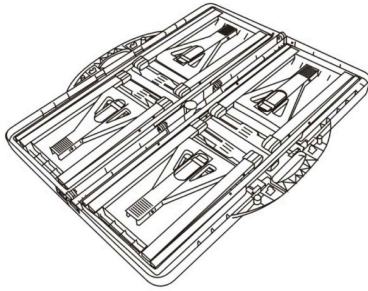
TWO PERSON RECOMMENDED ASSEMBLY!

- This product is for camping use.
- This table can support a parasol with a separate parasol base.
- Max. loading capability of table is 30kgs.
- Max. loading capability of seat is 100kgs.

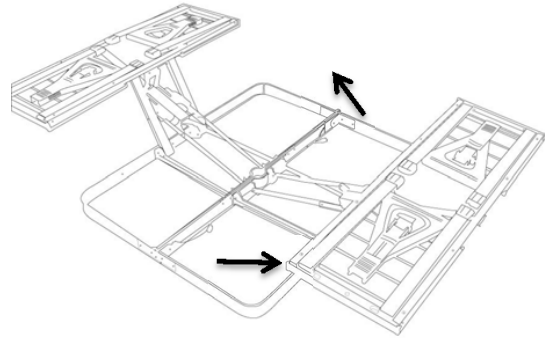
Warning: DO NOT place a parasol on the table or use the parasol with a separate base.



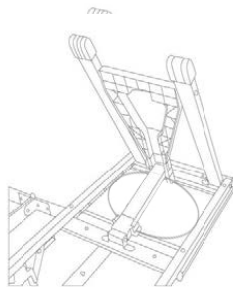
Step 2: Place item as displayed on a flat smooth surface, Open locks as indicated in figure



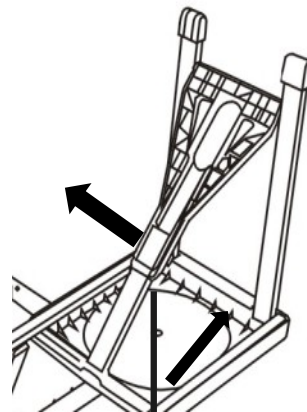
Step 1: Open case flat on a smooth surface carefully



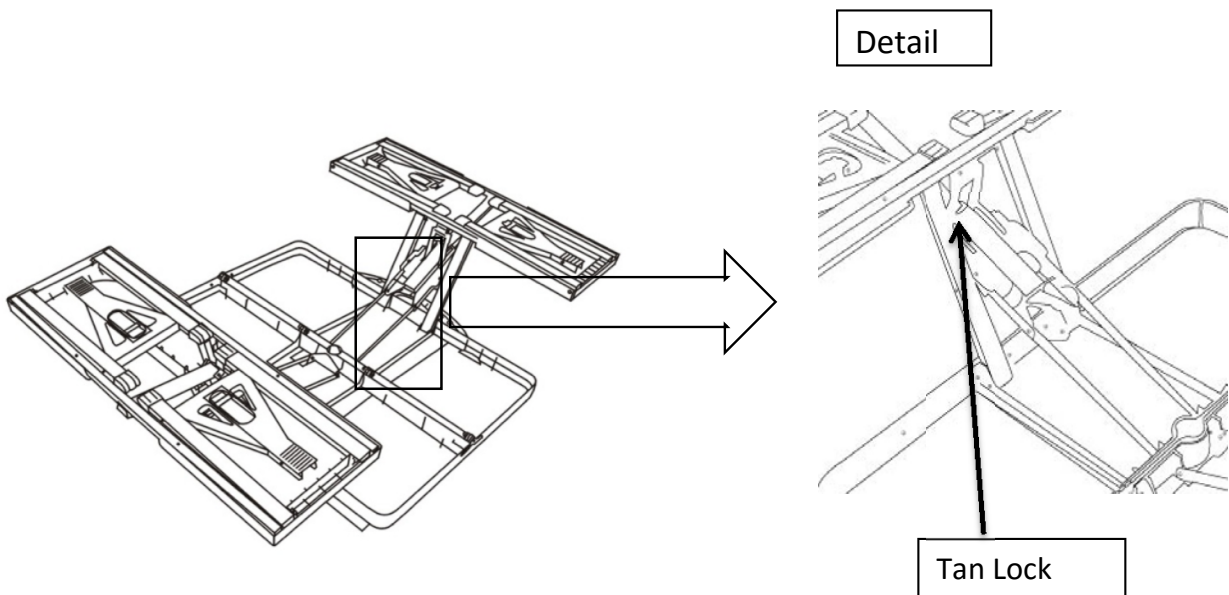
Step 3: Lift seats from the case with a circular motion towards the sides



Step 4: Pull legs from the ends until they are in vertical position. Then slide TAN Lock piece upwards as indicated in the diagram.
WARNING! After positioning the TAN lock ensure the legs can-not be closed flat to their previous position. Repeat process on all four sets of legs.



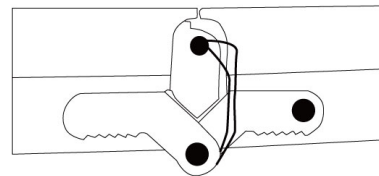
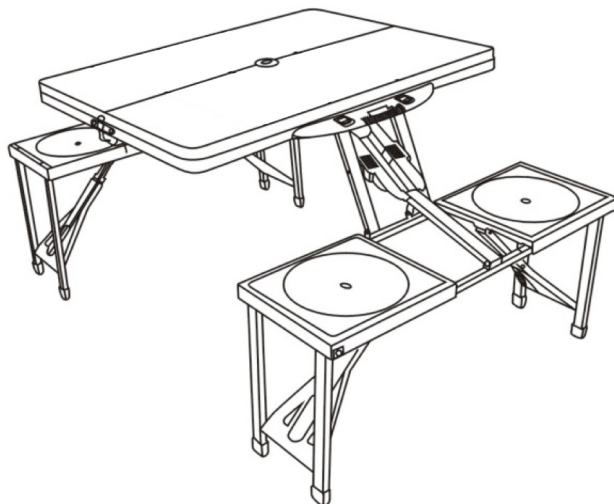
Tan Lock



Step 5:

WARNING! Failure to Lock both sets of legs may result in injury.

Proceed pushing the TAN Locks as arrows indicate to ensure both sets of legs remain locked before using the item.



Step 6: Insert Pin on both ends of the table to ensure item safety in case it needs to be moved.

WARNING! Failure to Insert Pins on both ends of table may result in injury.

WARNING!

DO NOT sit on Table Top.

NOTE: THE ITEM COMES WITH A PLASTIC UMBRELLA HOLDER RING THAT IS TO BE INSERTED IN CENTER OF THE TABLE

PLEASE FOLLOW THESE CARE INSTRUCTIONS IN ORDER TO MAINTAIN THE APPEARANCE AND LIFE OF THIS OUTDOOR FURNITURE.

- Use warm soapy water and a damp cloth to clean the frame and the plastic surfaces of the furniture. Pad out excess moisture with a dry towel after rinsing and allow to air dry.
- Never use any solvents, scourers, abrasives, bleach, acids, strong detergents, aggressive chemical cleaners or solvent type cleaning solution on the furniture.
- To remove stains or mildew, use a solution of warm water and mild detergent.
- Do not use high-pressure washer for cleaning of this product.
- To help maintain its appearance and to avoid scratches, never place sharp pointed objects directly onto the surface of the furniture.
- If you have damaged or missing parts, call Argos Aftersales helping 0345 640 0800 Argos limited, 489-489 Avebury Boulevard, Central Milton Keynes, MK9 2NW. www.argos.co.uk
- Made In China