

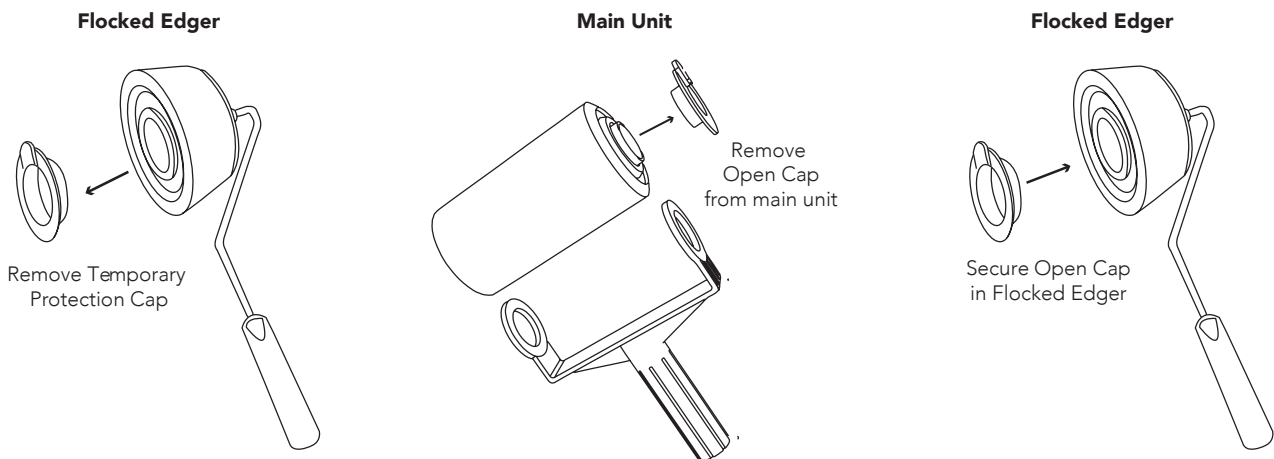
Paint Runner Pro™

Handy tips to help you get started!

Thank you for purchasing the Paint Runner Pro.

Before you get started, we recommend you read the enclosed set-up instructions along with the following handy tips to ensure you're painting like a Pro in no time!

- **Swap it!** - The open cap on the Paint Runner Pro is interchangeable between the main unit and the flocked edger. When using the flocked edger, please ensure that you replace the temporary protection cap on the flocked edger unit with the open cap from the main unit before use, and that it is fitted securely to avoid any spillage.



- **Tighten up!** - when assembling the flocked edger ensure you push the handle all the way in where it can engage with the screw thread.
- **Wet it!** - before first use, rinse the roller under a tap then dry.
- **Charge it up!** - to get the paint flowing, roll the head back and forth on newspaper for 2 minutes, or until the roller is fully covered with paint.
- **Reach up high!** - for those higher to reach spots, extend your reach with a threaded pole. Don't force it!

Top TIP!

For best results, don't press hard against the wall. A light touch will ensure even uniform coverage.