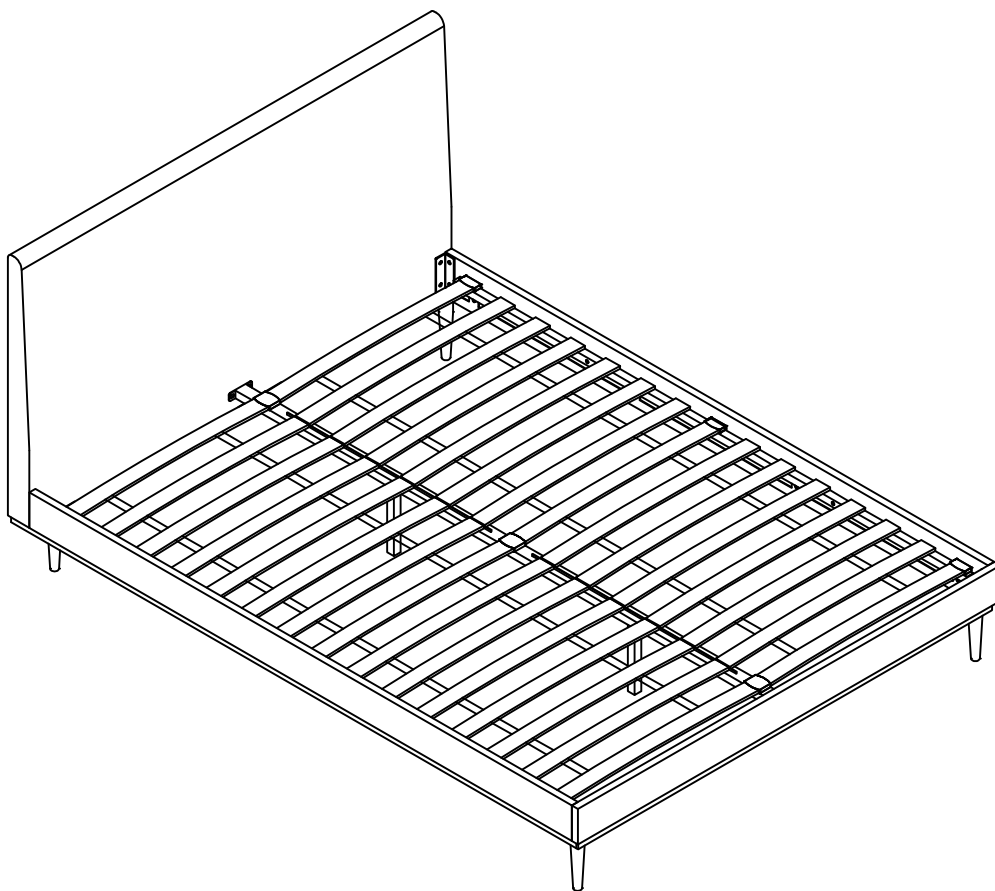


# Morley

 habitat



## Spare Parts

 [www.argos-support.co.uk](http://www.argos-support.co.uk)

 [Help@ClickSpares.co.uk](mailto:Help@ClickSpares.co.uk)

 0370 112 1928

## Customer Support

 0345 640 2020



# Safety and Care Advice

---

## Product Details

Morley Double Standard Bed SAND HERRINGBONE

789/2400

Morley King Standard Bed SAND HERRINGBONE

780/7158

## IMPORTANT, RETAIN FOR FUTURE REFERENCE: READ CAREFULLY.

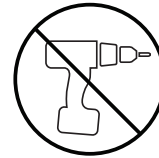
- Keep children and animals away from the work area, small parts could choke if swallowed.

- Make sure you have enough space to layout the parts before starting.

- This product has been constructed to be used in the domestic environment only and not for commercial purposes.

- Assemble the item as close to its final position (in the same room) as possible.

- Assemble on a soft level surface to avoid damaging the unit or your floor.



as this could damage the unit. Only use hand screwdrivers.

- We do not recommend the use of power drill/drivers for inserting screws
- Parts of the assembly will be easier with 2 people.

- Dispose of all packaging carefully and responsibly.

## Care and maintenance

- Only clean using a damp cloth and mild detergent. Do not use abrasive cleaners.

- Use a dry cloth to clean the product, furniture polish is not recommended. (excluding fabric)

- From time to time check that there are no loose screws, nuts or bolts. If there are please re-tighten.

- This product should not be discarded with household waste. Take to your local authority waste disposal centre.

## Additional Guidance

- Assemble all parts and bolts loosely during assembly, only once the product is complete should you fully tighten the bolts.

- Regularly check and ensure that all bolts and fittings are tightened properly.

- Individual maximum user weight 110kg.

- Maximum of 2 persons / users.

- Suitable for persons aged 13 years and over.

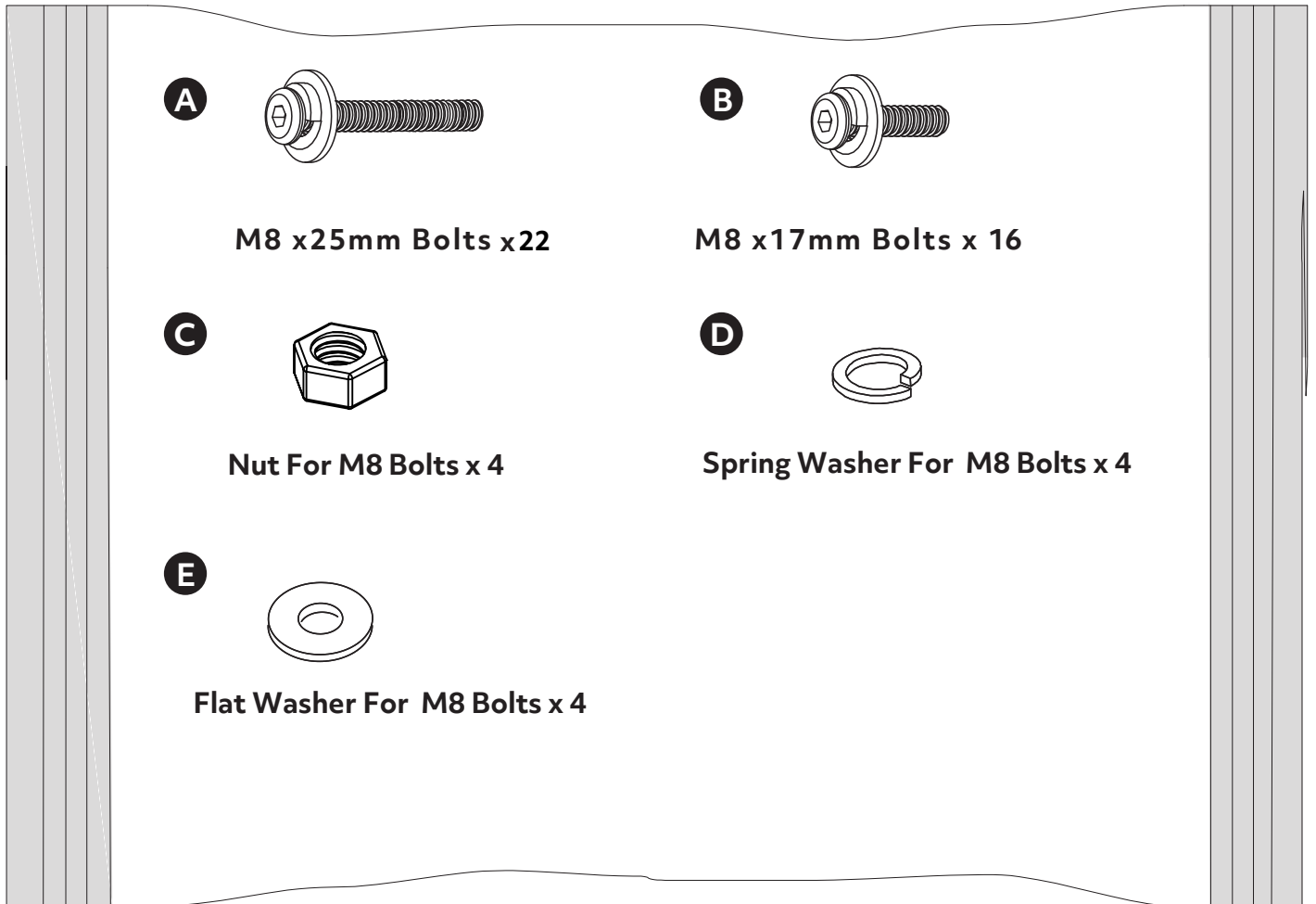
- This product is compliant with BS EN1725:2023

Produced in China, Habitat, Argos Limited and Sainsbury's Supermarkets Ltd, London EC1N 2HT, UK. [Argos\(N.I.\) Ltd](#) and Sainsbury's(N,I) Ltd, Forestside Shopping Centre, Upper Galwally, Belfast, BT8 6FX, UK.

# Fittings (Shown to scale)

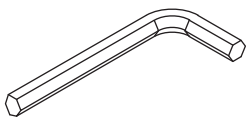
---

## Bag 1

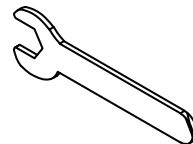


## Tools required

---

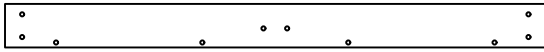


Allen Key for M8 Bolts

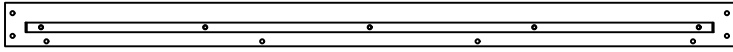


Spanner for M8 Nuts

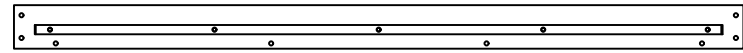
# Panels



- 2** Footboard x1 (4'6"-1435x120x30mm)  
(5' -1585x120x30mm)



- 3** Side Rail - Left x1 (4'6"-1935x120x30mm)  
(5' -2035x120x30mm)



- 4** Side Rail - Right x1 (4'6"-1935x120x30mm)  
(5' -2045x120x30mm)



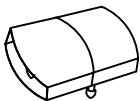
- 6** Centre Slat Support Rail x1 (4'6 - 1935x90x25mm)  
(5' - 2035x90x25mm)



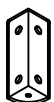
- 8** Side Plinth- Left x1 (4'6"-2015x65x45mm)  
(5' -2115x65x45mm)



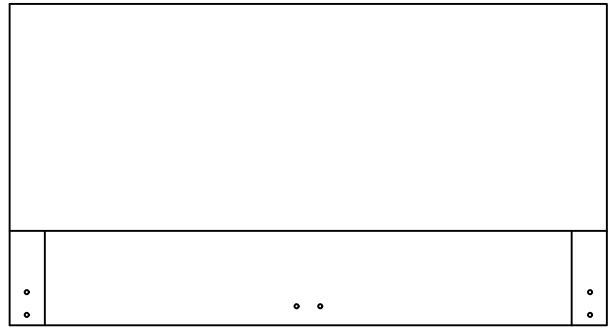
- 10** Leg x4 (4'6"/5'-190x38x24mm)



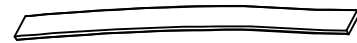
- 12** Centre Slat Cap x3



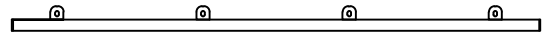
- 14** Triangular Corner Bracket cw Leg  
Base Fixing - Left x 2



- 1** Headboard x1 (4'6" - 1435x860x60/90mm)  
(5' -1585x860x60/90mm)



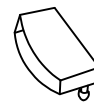
- 5** Bentwood Slat x30 (4'6"- 685x53x9.5mm)  
x30 (5' - 760x53x9.5mm)



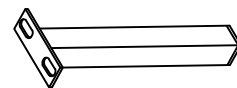
- 7** End Plinth x1 (4'6"- 1398x65x10mm)  
(5' - 1548x65x10mm)



- 9** Side Plinth - Right x1 (4'6"-2015x65x45mm)  
(5' -2115x65x45mm)



- 11** End Slat Cap x6



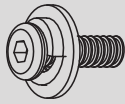
- 13** Support Block For Centre Cross Bar x2  
(4'6/5'-220x25x75mm)



- 15** Triangular Corner Bracket cw Leg  
Base Fixing - Right x 2

# 1

**A**

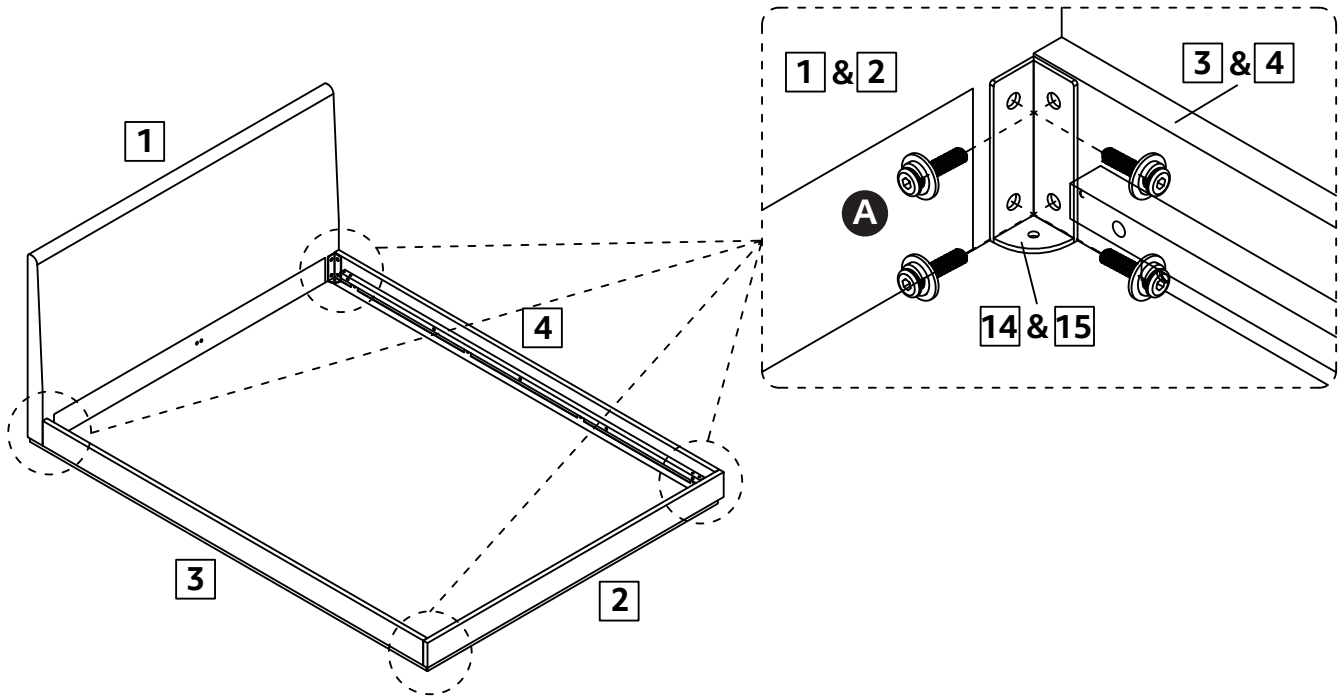


M8 x25mm Bolt x16

Pt.No

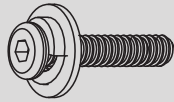


Allen Key for M8 Bolts x1



# 2

**A**

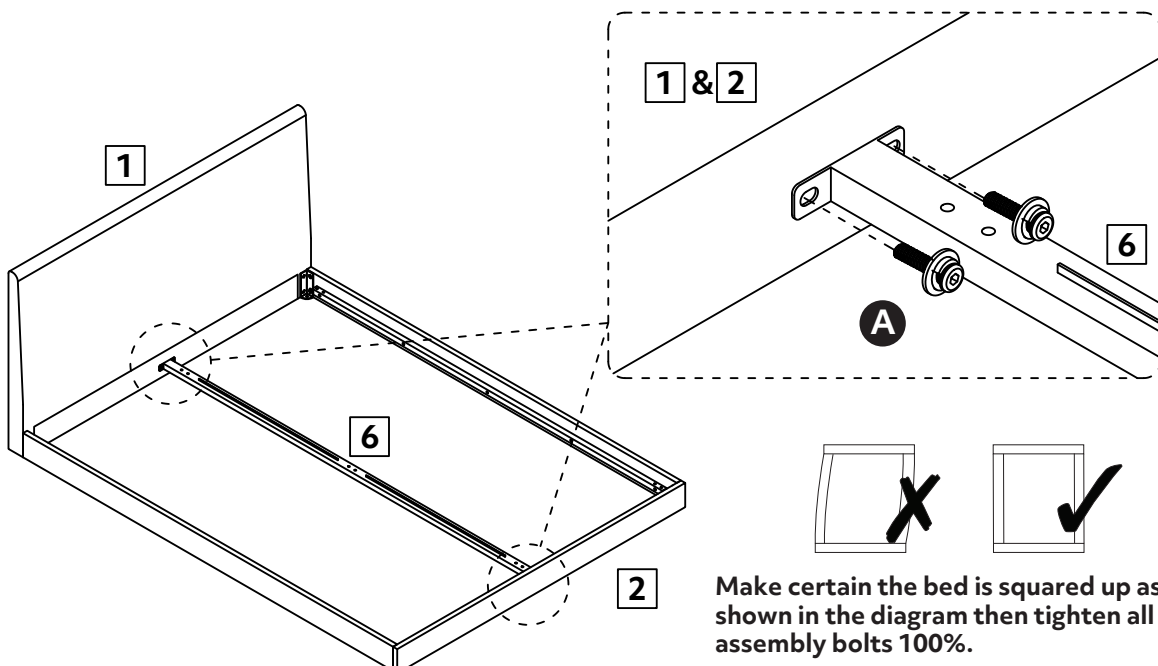


M8 x25mm Bolt x4





Pt.No

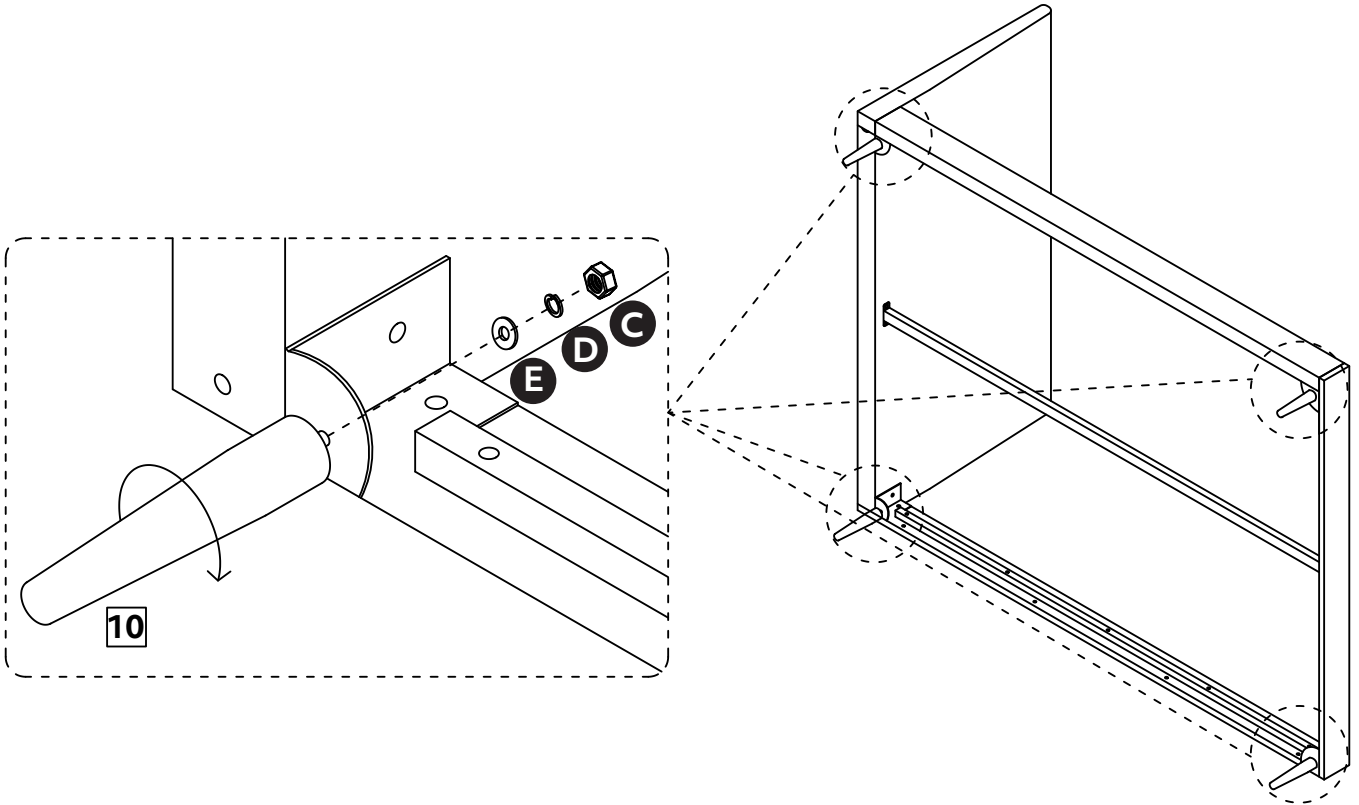


Allen Key for M8 Bolts x1



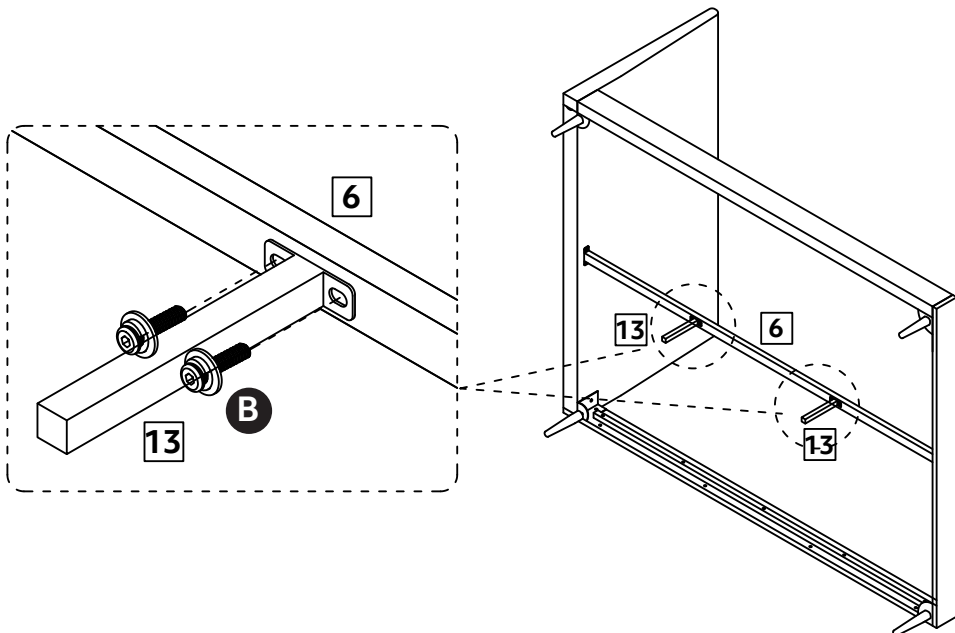
# 3

<b>C</b>		<b>D</b>		<b>E</b>	
Nut For M8 Bolts x 4		Spring Washer M8 x 4		Flat Washer For M8 x 4	
Pt.No		Pt.No		Pt.No	
					
Spanner For M8 Nuts					

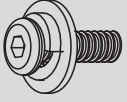
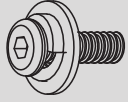



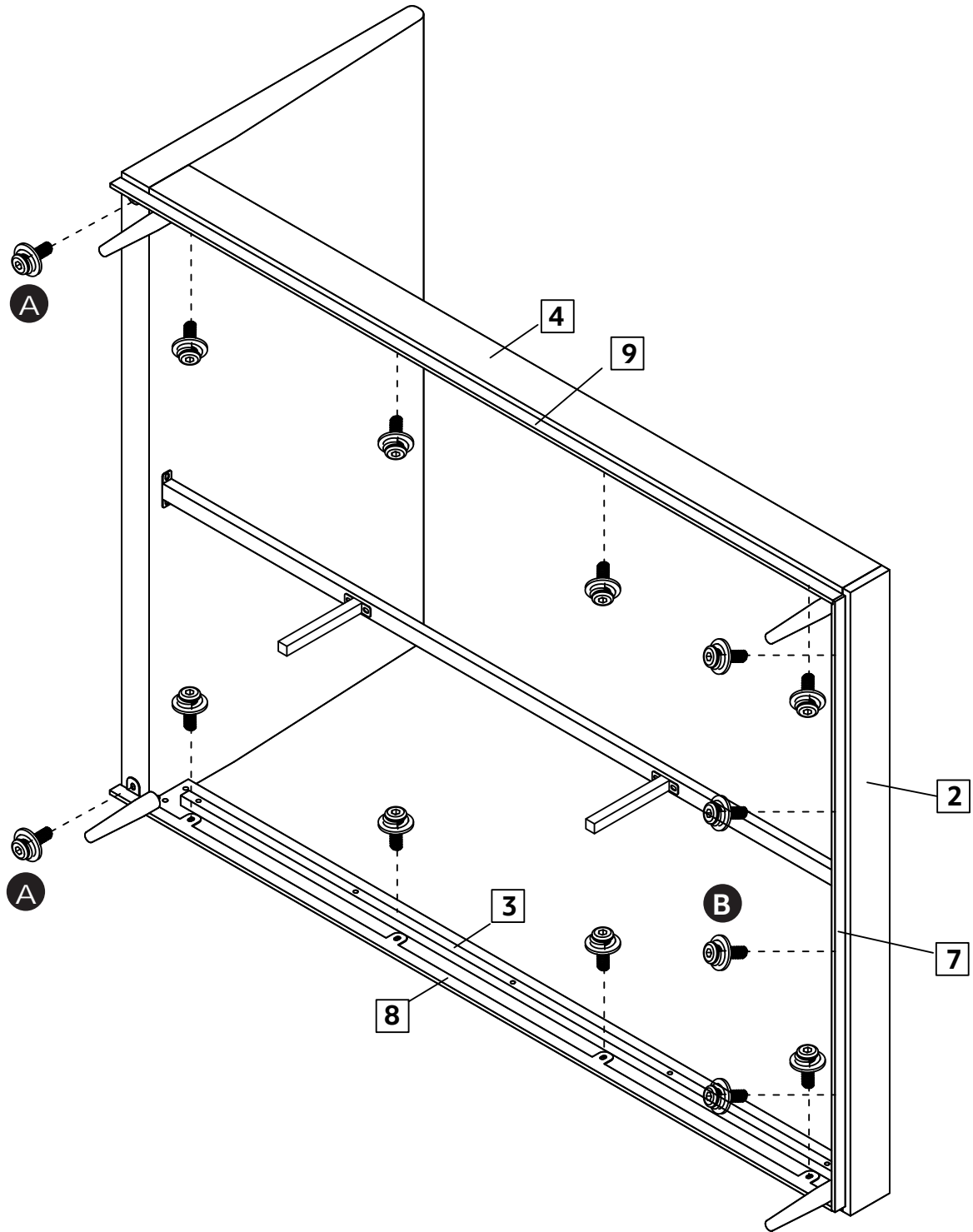
# 4

<b>B</b>		<b>Allen Key for M8 Bolts x1</b>
M8 x 17mm Bolt x4		
Pt.No		

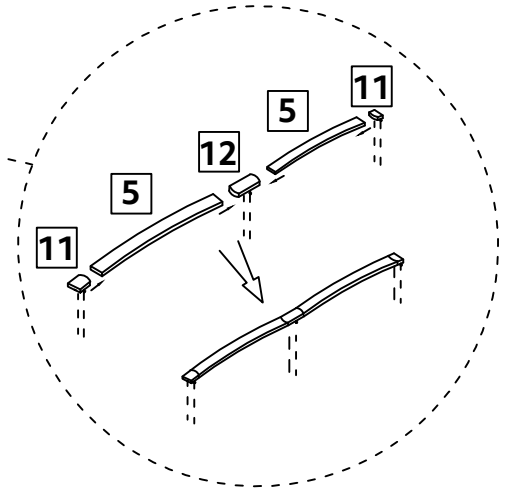
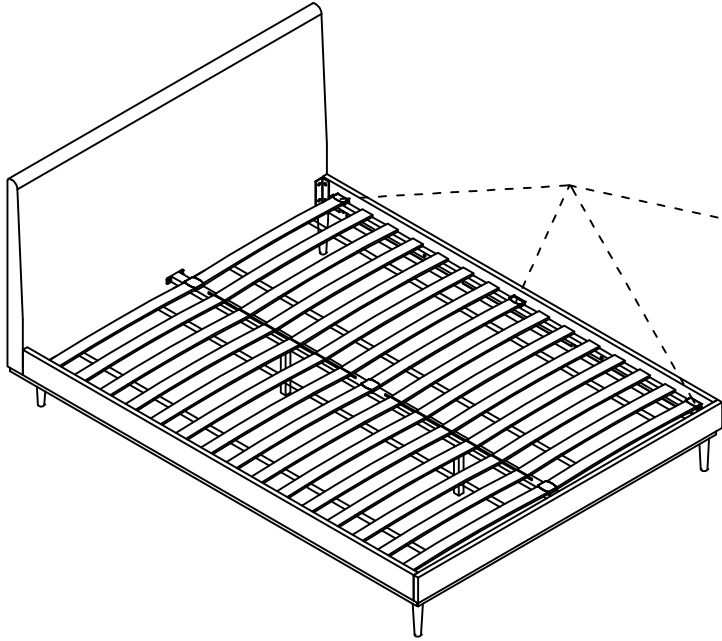
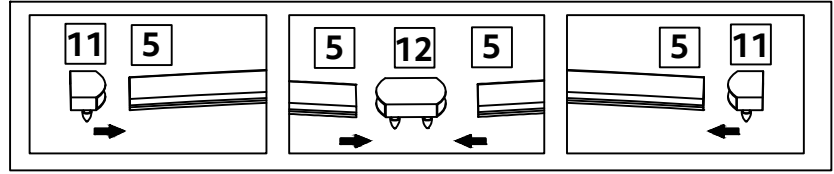


# 5

<b>A</b>		<b>B</b>			
	M8 x 25mm Bolt x2	Pt.No	M8 x 17mm Bolt x12	Pt.No	Allen Key for M8 Bolts x1



# 6



# 7

