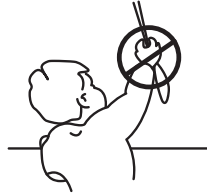


### WARNING - CHILD SAFETY INSTRUCTIONS



# WARNING!



YOUNG CHILDREN CAN BE STRANGLINGED BY LOOPS IN PULL CORDS, CHAINS, TAPES AND INNER CORDS THAT OPERATE THE PRODUCT.

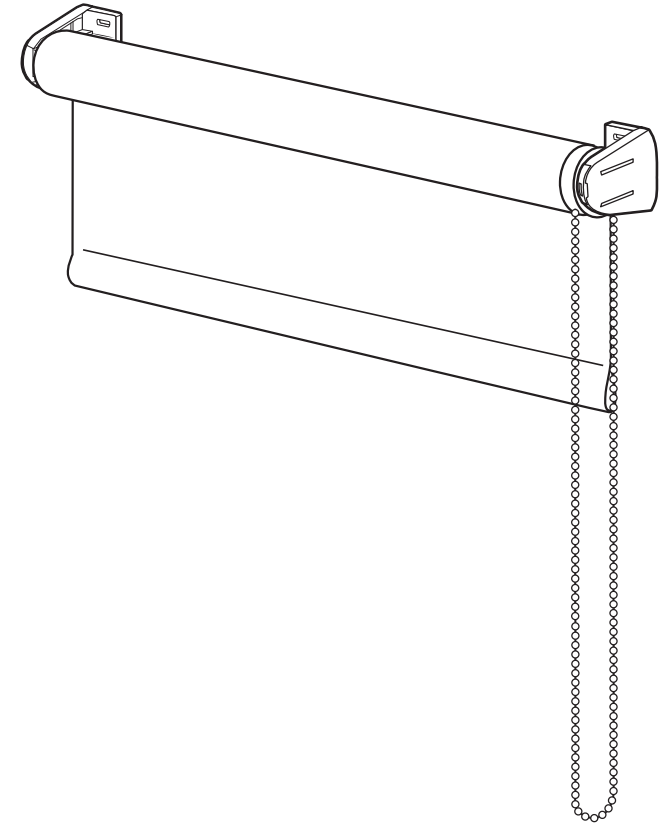
TO AVOID STRANGULATION AND ENTANGLEMENT, KEEP CORDS OUT OF THE REACH OF YOUNG CHILDREN. CORDS MAY BECOME WRAPPED AROUND A CHILD'S NECK.

MOVE BEDS, COTS AND FURNITURE AWAY FROM WINDOW COVERING CORDS.

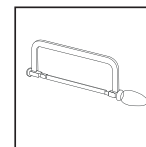
DO NOT TIE CORDS TOGETHER. MAKE SURE CORDS DO NOT TWIST AND CREATE A LOOP.

The child safety device as referred to in step 5 helps to reduce the hazards of strangulation or entanglement by preventing the looped pull chain becoming slack. Please ensure the device is installed and the chain is kept taut at all times.

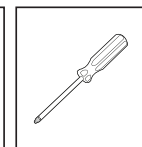
In the event of the product being damaged, small parts may be released, which could be swallowed and cause internal asphyxiation of a child. Please keep away from children.



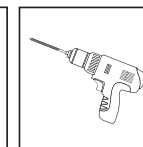
#### Tools needed for fitting



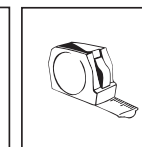
Hacksaw



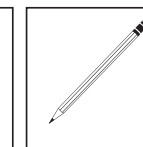
Screw Driver



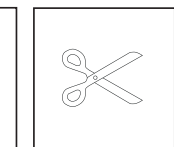
Drill



Measuring Tape



Pencil



Scissors

Keep these instructions in a safe place for future reference

# Roller Blind

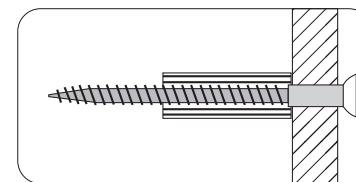
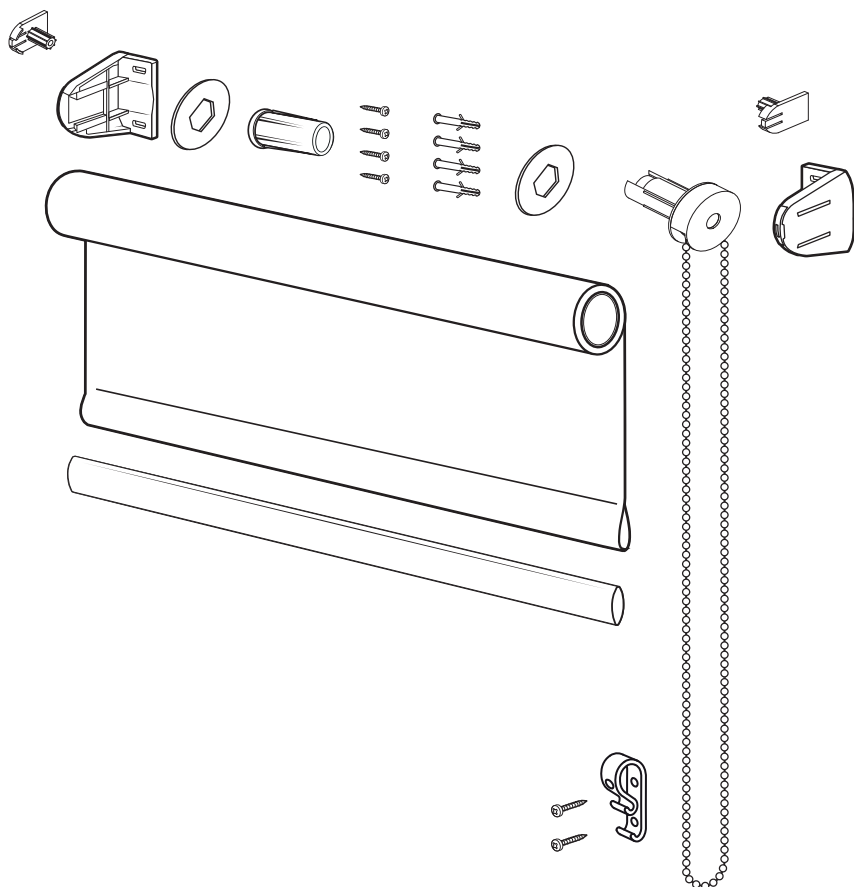
## Fitting Instructions

# Guide

## Wall Mounting & Fixings

### Parts list.

Double check you have all parts before installing the blind in your window.



### IMPORTANT:

When drilling into walls always check that there are no hidden wires or pipes etc. Make sure that the screws and wall plugs being used are suitable for supporting your unit. Consult a qualified tradesperson if you are unsure.

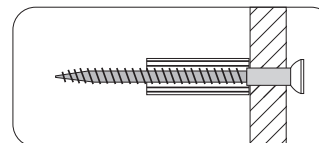
### HINTS:

- 1) General Rule - always use a larger screw and wall plug if you are not sure.
- 2) Ensure you use the recommended drill bit to match the wall plug and hole size.
- 3) Ensure you drill the hole horizontally, do not force the drill or enlarge the hole.
- 4) Take extra care when drilling high walls, ceilings and ceramic tiles. Ensure the plug is fitting below the ceramic tile to avoid splitting or cracking.
- 5) Ensure wall plugs are well fitted and are a tight fit in the drilled hole.

### Types of walls

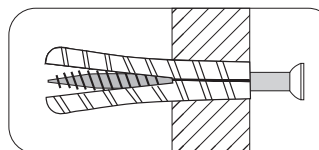
You can use one of the following types of wall plug if your walls are made of brick, breeze block, concrete, stone, wood or plaster board.

#### 1) "Standard" Wall Plug General Wall Materials



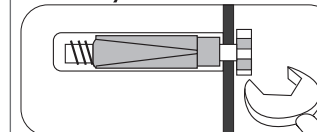
These come in various sizes and are made from plastic or sometimes wood fiber.

#### 2) "General Purpose" Wall Plug Aerated / Breeze Block



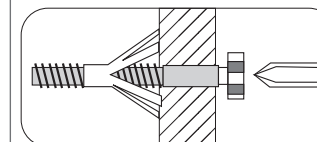
Generally aerated blocks should not be used to support heavy loads, use a specialist fitting in this case. For light loads, a general purpose plug can be used.

#### 3) "Shield Anchor" Wall Plug Heavy Loads



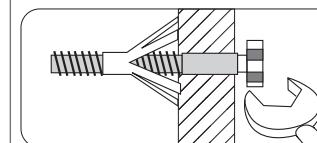
For use with heavier loads such as TV & HiFi speakers and satellite dishes etc.

#### 4) "Cavity Fixing" Wall Plug



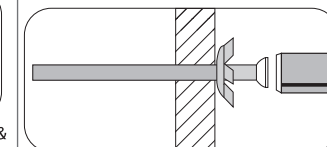
For use with plaster board partitions or hollow wooden doors.

#### 5) "Cavity Fixing - Heavy Duty" Wall Plug



For use when fitting or supporting heavy loads such as shelving, wall cabinets, coat racks etc.

#### 6) "Hammer Fixing" Wall Plug



For use with walls stuck with plaster board. The hammer fixing allows it to be fixed to the wall rather than the plaster board. Always check the fixing is secure to the retaining wall.

### CARE & MAINTENANCE

#### SAFETY

Always check the fitting and location to ensure your safety in and around the home.

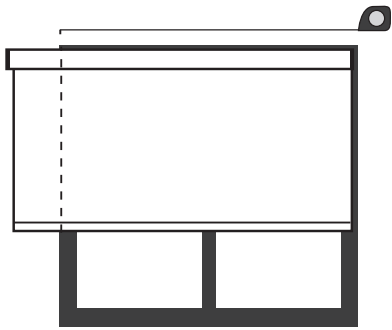
#### FITTING

From time to time, check the fitting to ensure the wall plugs or screws do not become loose.

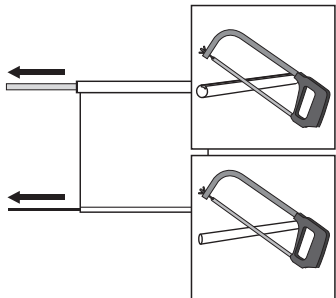
# Roller Blind

## Fitting Instructions

### Trimming the blind (if applicable)

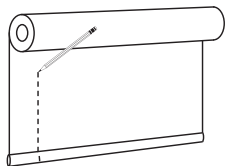


Measure the width of the recess using a metal ruler. Please take into consideration any obstructions such as tiles or dado rails.

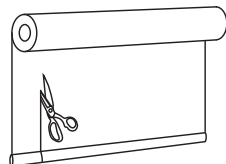


Slot the tube and bottom bar out of the fabric ready to trim. **Please ensure you handle fabric with care, any kneeling or pressure from pulling may permanently damage the fabric.**

Measure the width of the recess and deduct 28mm from your measurement. This is your final measurement for the tube. Deduct further 20mm from your final measurement for the bottom bar. Trim both using a hacksaw. File any edges if necessary.



Slot the bottom bar and tube back into the blind and fully roll out the fabric. Use your final measurement for the bottom bar to trim the fabric. Mark with pencil and trim with scissors. Roll the fabric back carefully.



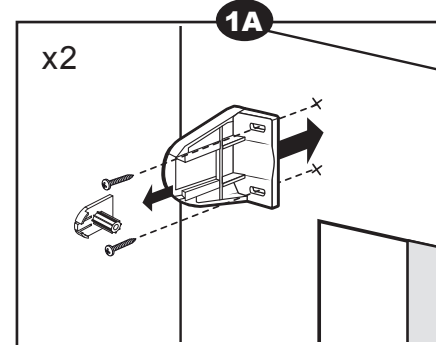
**Please ensure you handle fabric with care, any kneeling or pressure from pulling may permanently damage the fabric.**

# Roller Blind

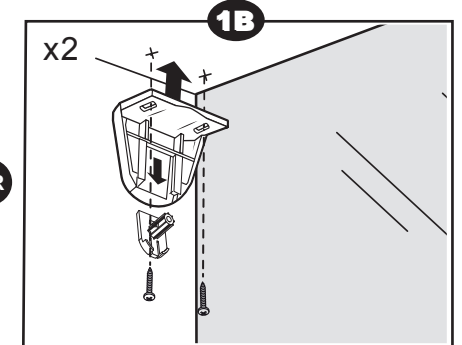
## Fitting Instructions

Read the instructions carefully before installing and using the device. It is recommended that this blind should only be installed by persons competent in DIY, it can be completed by non-professionals.

### OUTSIDE RECESS:

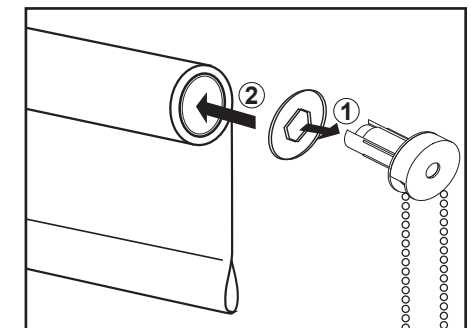
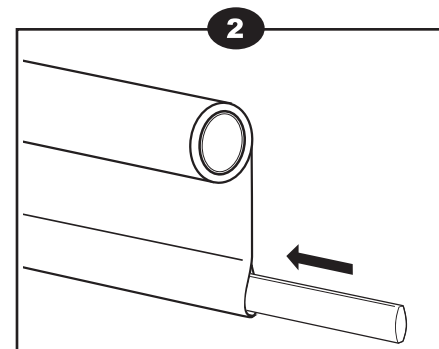


### INSIDE RECESS:



OR

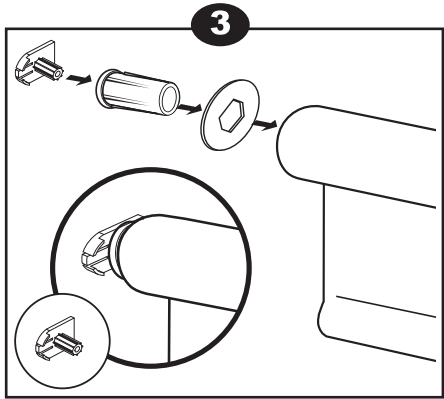
1. Choose where you would like to position the brackets.
2. Mark the holes with a pencil. Use the bracket holes as a template.
3. Drill the holes.
4. Insert wall plugs.
5. Fix the brackets. We have provided a standard set of screws, however **it is the installers responsibility to ensure the correct fixings are used to install this blind.** You can refer to our guide on page 7.
6. Slot the small bracket clip onto the bracket which will hold the chain mechanism. It is up to the installer which side to put the control chain. Leave the other side empty for now.



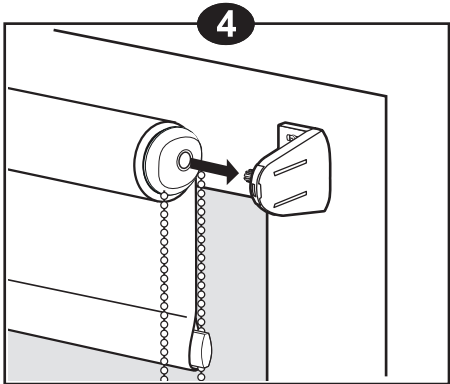
1. Insert the bottom bar into the bottom of the fabric.
2. Attach the plastic ring to the chain mechanism and slot it into the tube. Chain mechanism can be inserted either end of the blind.

# Roller Blind

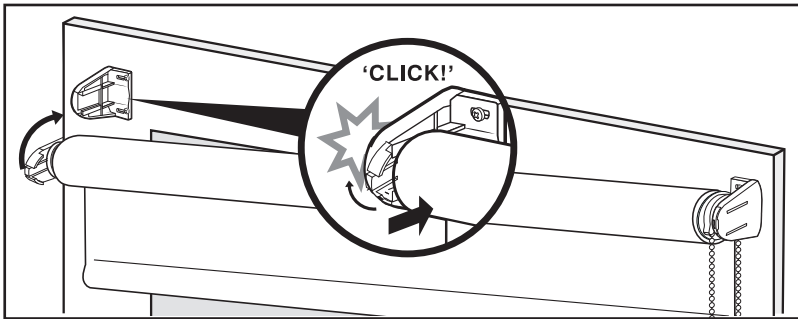
## Fitting Instructions



1. Insert the pin end into the other side of the blind.
2. Insert the bracket clip into the pin end.



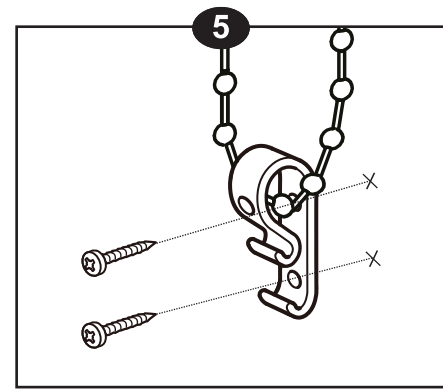
1. The chain mechanism must be inserted first into the protruding bracket clip. If you change your mind and want the chain mechanism on the opposite side, simply remove and re-insert the bracket clip on the opposite side.



As you have inserted the chain mechanism first, the other side of the blind should simply click into place. To operate the blind, simply pull on the chain to raise or lower it.

# Roller Blind

## Fitting Instructions



**CHILDREN CAN STRANGLE IF THIS SAFETY DEVICE IS NOT INSTALLED. ALWAYS USE THIS DEVICE TO KEEP CORDS OR CHAINS OUT OF THE REACH OF CHILDREN.**

Read carefully the instructions and install accordingly.

1. Fully tension the chain to ensure it is not loose.
2. Mark the holes of the safety device with a pencil.
3. Secure it with 2 screws.
4. Remember the safety device is correctly installed if the loop of the chain is at constant tension.

**⚠ This safety device must be installed in accordance with the assembly in the above step. It is critically important that the safety device is installed at the maximum distance possible from the control mechanism, to prevent the looped pull cord becoming slack.**

### Care Instructions:

Never use any solvents, scourers, abrasives, bleach, acids, strong detergents, aggressive chemical cleaners or solvent-type cleaning solutions on the product.

To clean this product simply dust with a cloth. For any intensive soiling, use a damp sponge.

The blind may fade unevenly if exposed to sunlight for long periods of time when partly extended.

This product is maintenance free, however we recommend that regular checks are completed to ensure that the components have not been damaged.