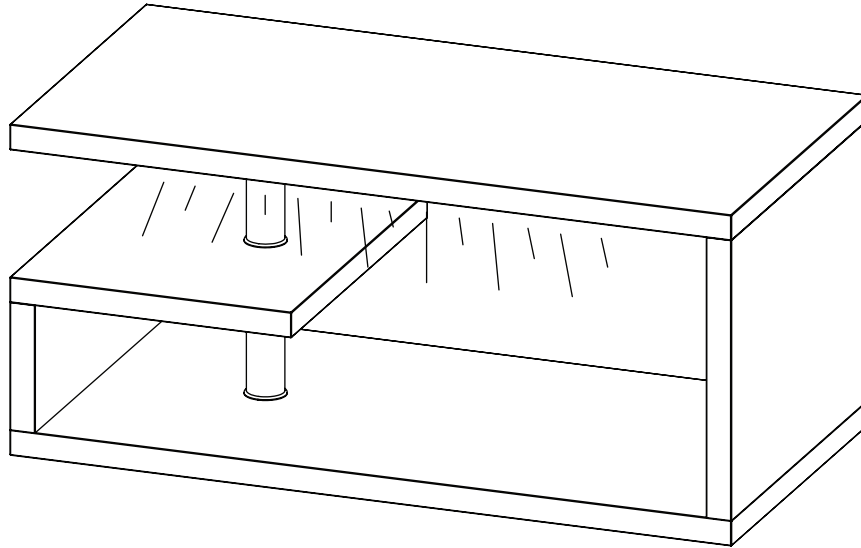


# POLAR HIGH GLOSS LED COFFEE TABLE ASSEMBLY INSTRUCTIONS

Thank you for purchasing the Polar LED Coffee Table.

Please read the instructions carefully to ensure safe operation of this product .



Size: 100 x 50 x 46 cm (WDH)

Colour: White or Grey

Finish: High Gloss

---

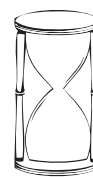
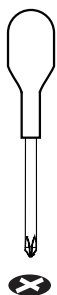
**PLEASE READ** this sheet prior to assembly to familiarise yourself with the various stages of construction.

Carefully open the pack supplied and check the contents against the parts and fittings check list. Do not destroy any of the packaging until you are certain that you have all the necessary parts for the assembly.

**CAUTION:** There are small components used in the construction of this unit. These loose items should be kept away from young children whilst assembling your unit to avoid the danger of choking.

---

## Tools Required



1/2 Hr  
Set Up

Version 1 - 200505

PO No: \_\_\_\_\_

Page 1 of 9

## **IMPORTANT - READ CAREFULLY - RETAIN THESE INSTRUCTIONS FOR FUTURE REFERENCE.**

### **INFORMATION**

- This product is designed to hold 10Kg in total, spread evenly over the whole unit.
- Do not exceed this weight.
- Never sit on this product or drag it across the floor as doing this can damage the joints.
- We recommend that this unit is assembled in the room intended for use.
- When you are ready to start, make sure that you have the right tools, plenty of space and a clean, dry area for assembly.
- Unwrap all packaging materials and place the components on top of the carton box or on a clean floor to prevent them from scratching.
- Check the pack and make sure you have all the parts listed.
- Ensure that this product is fully assembled as illustrated before use.
- Check all screws or bolts are tightened and inspect regularly
- Tools not included unless specified in parts list.

### **WARNINGS**

- DO NOT use power tools to construct this product.
- DO NOT tighten screws until parts are assembled or as advised in this guide.
- DO NOT over tighten screws or bolts.
- DO NOT use this product if parts are missing, damaged or worn.

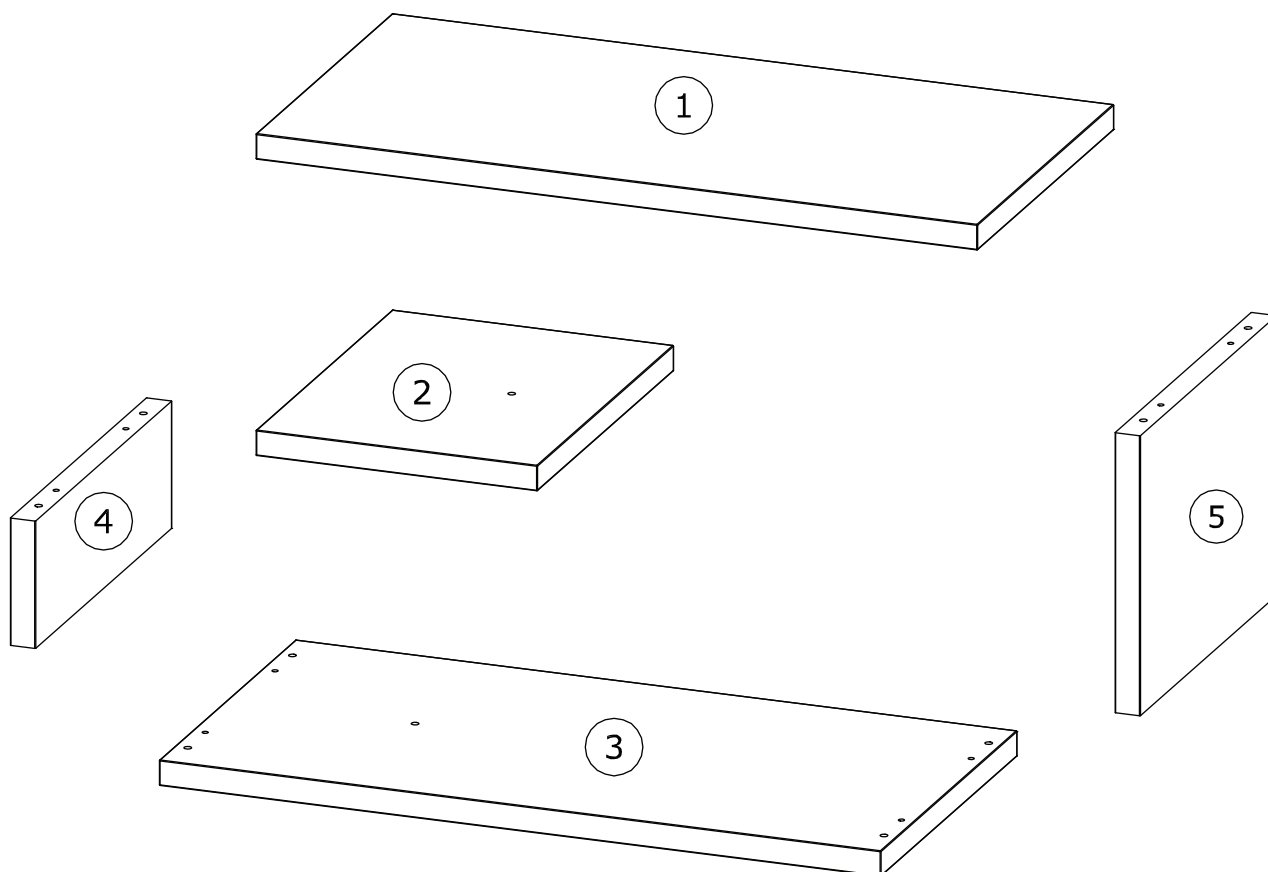
### **CARE INFORMATION**

- To clean, wipe with a damp cloth.
- Never use scourers, abrasives or chemical cleaners as surface shall be scratched.
- Do not use solvent based cleaners or detergents as they can bleach or damage the paint.

### Parts and Fittings Checklist

Please check the pack contents before assembling the product. If any components are missing, please contact your retailer.

The fittings pack contains small items that should be kept away from children.



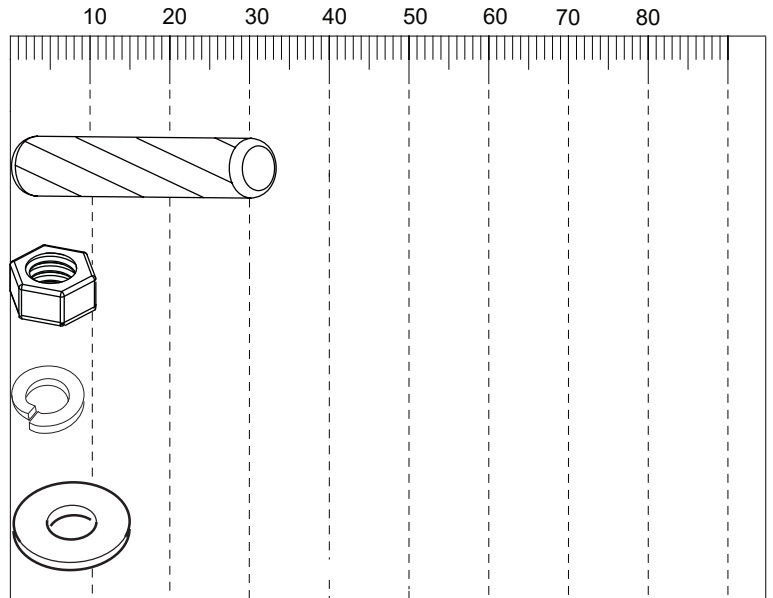
All parts are packed in one carton

1	2	3
Description: Top Panel Qty: 1 Size: 1000 x 500 x 35 mm Carton No: 1/1	Description: Central Shelf Qty: 1 Size: 390 x 500 x 35 mm Carton No: 1/1	Description: Base Panel Qty: 1 Size: 1000 x 500 x 35 mm Carton No: 1/1
4	5	
Description: Small Side Panel Qty: 1 Size: 175 x 498 x 35 mm Carton No: 1/1	Description: Large Side Panel Qty: 1 Size: 385 x 498 x 35 mm Carton No: 1/1	

# POLAR HIGH GLOSS LED COFFEE TABLE ASSEMBLY INSTRUCTIONS

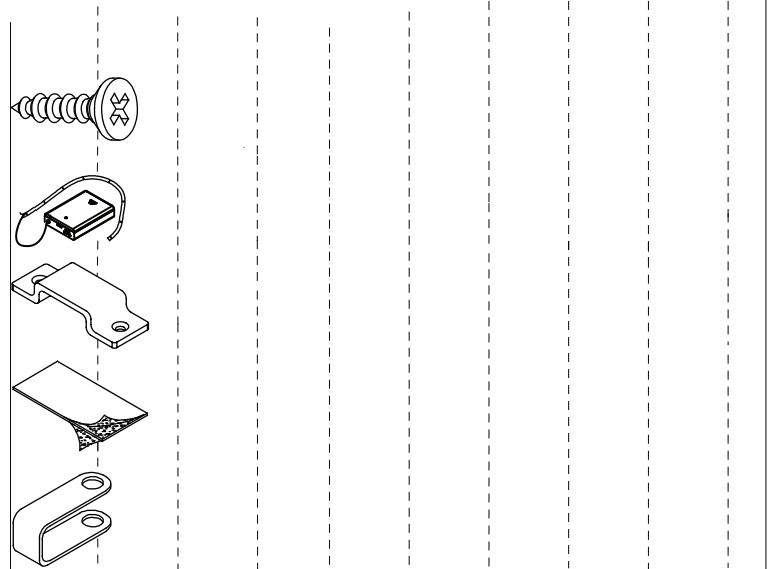
## Fittings (to scale)

Code	Item	Quantity
C	Dowel 8x30mm	8
D	M6 Nut	5
E	Spring Washer For M6 Bolt	5
F	Flat Washer For M6 Bolt	5



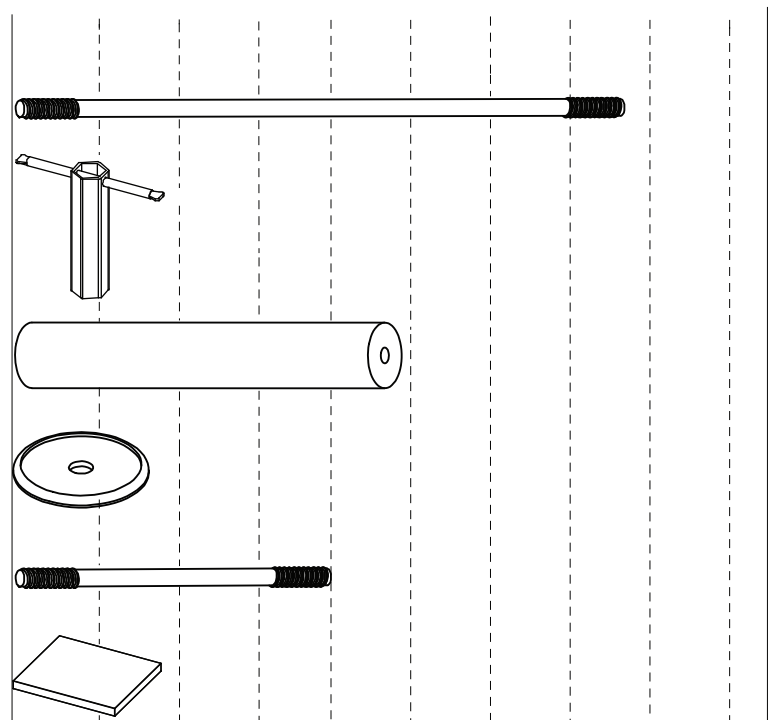
## Fittings (packed in each LED pack).

Code	Item	Quantity
G	Screw for LED Cable Clips	3
H	Battery Box with 25cm LED Strip	1
J	LED Clip	1
K	Battery Box 2 Sided Sticky Pad	1
R	Cable Clip	1

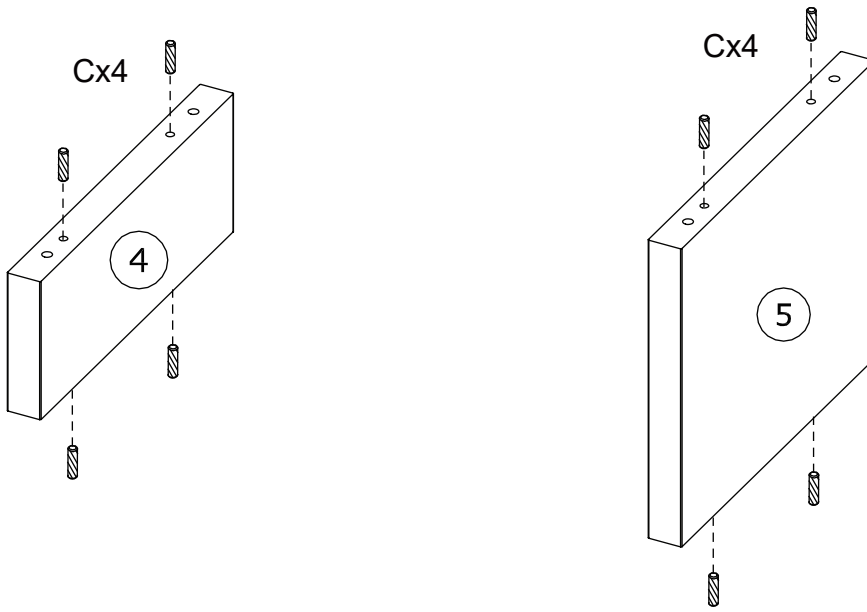


## Fittings (not to scale)

Code	Item	Quantity
L	Long M6 Double Ended Bolt	3
M	M6 Box Spanner	1
N	Metal Tubular Support	2
P	Cover Cap for Tubular Support	4
Q	Short M6 Double Ended Bolt	2
Y	Floor Cushion Sticky Pads	4

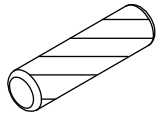


**STEP 1**



For this step:  
**Tools required**

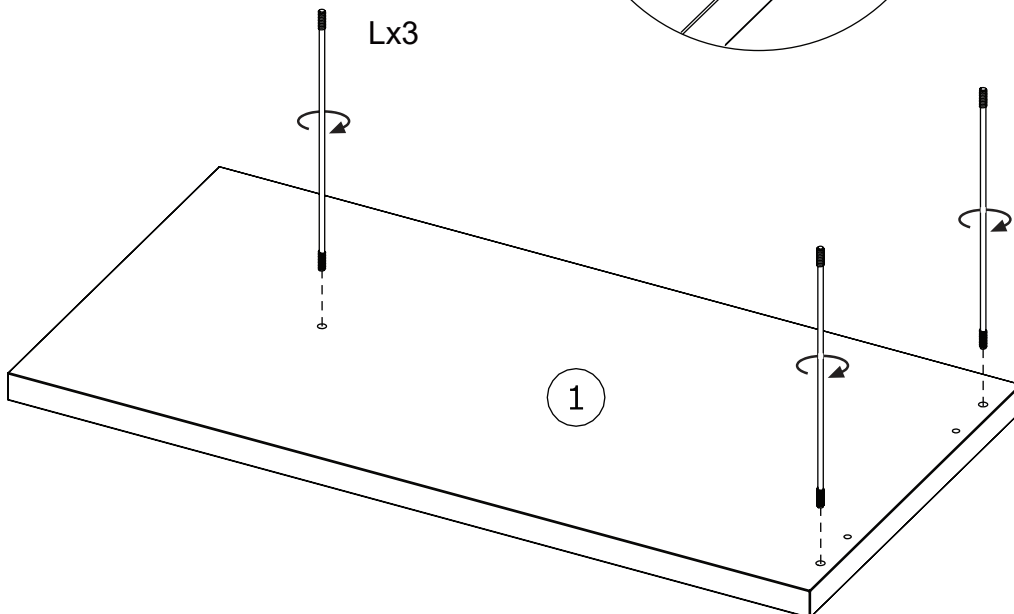
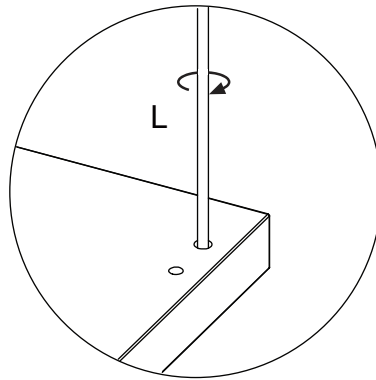
**Fittings required**



C x 8

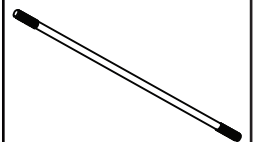
**STEP 2**

Place top (1) face down on a clean blanket or non-scratch surface  
Screw in the 3 rods (L) until they stop - do not overtighten.



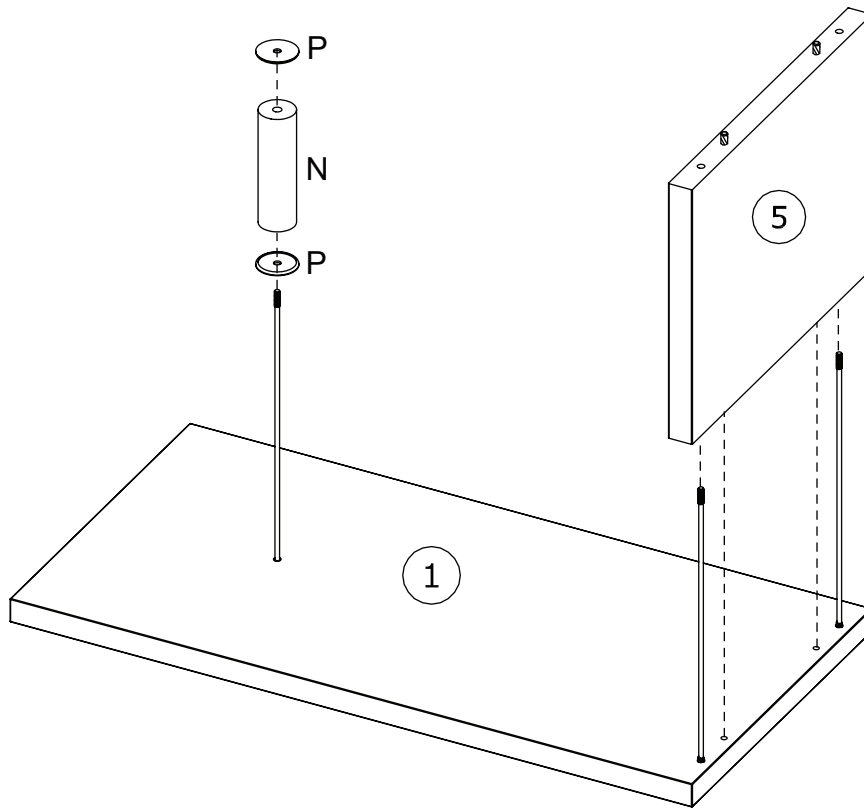
For this step:  
**Tools required**

**Fittings required**



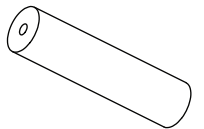
L x 3

**STEP 3**

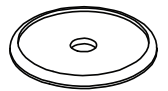


For this step:  
**Tools required**

**Fittings required**

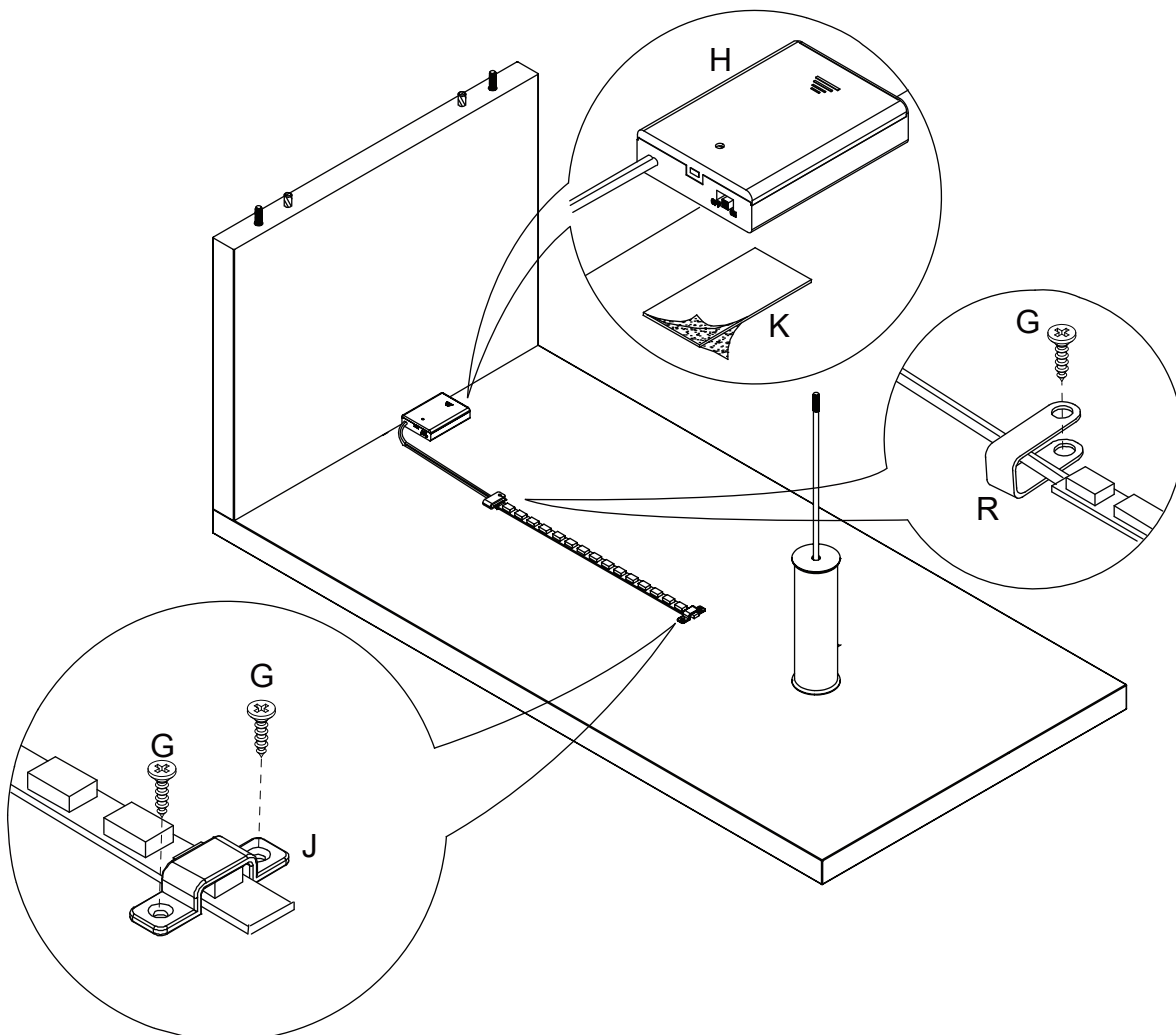


N x1



P x2

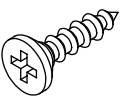
**STEP 4**



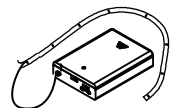
For this step:  
**Tools required**



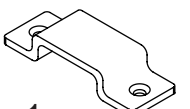
**Fittings required**



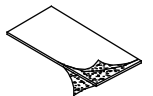
G x3



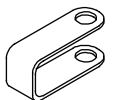
H x1



J x1



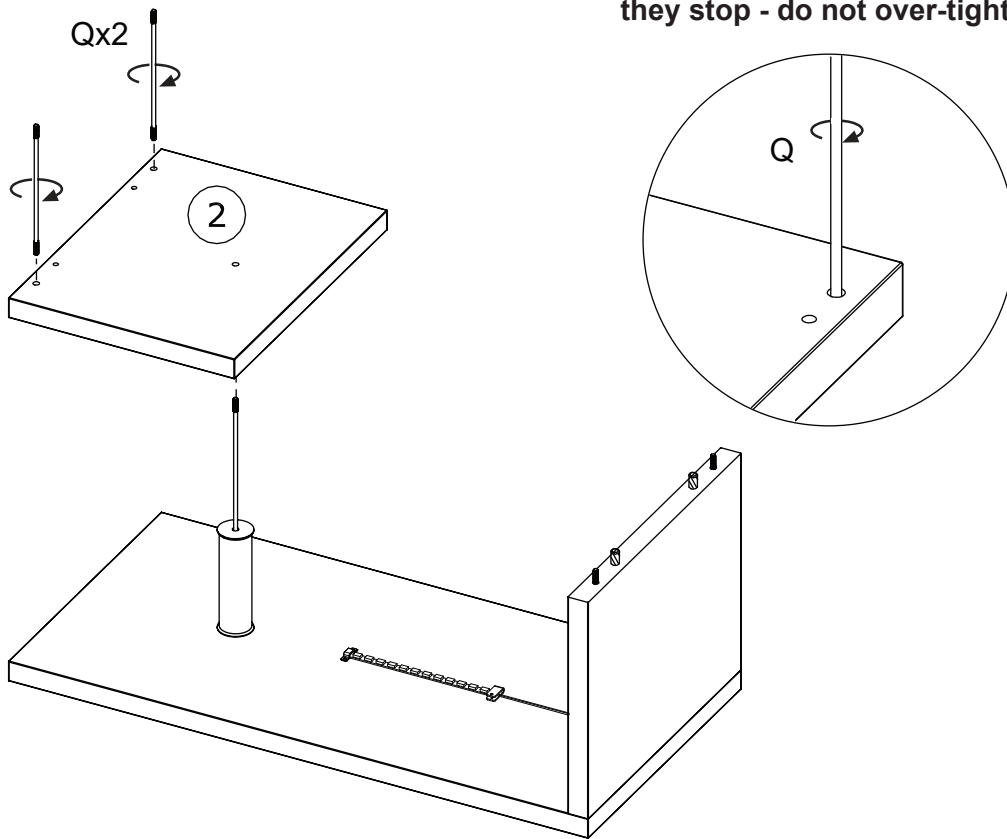
K x1



R x1

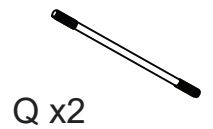
**STEP 5**

Screw in the 2 rods (Q) until they stop - do not over-tighten



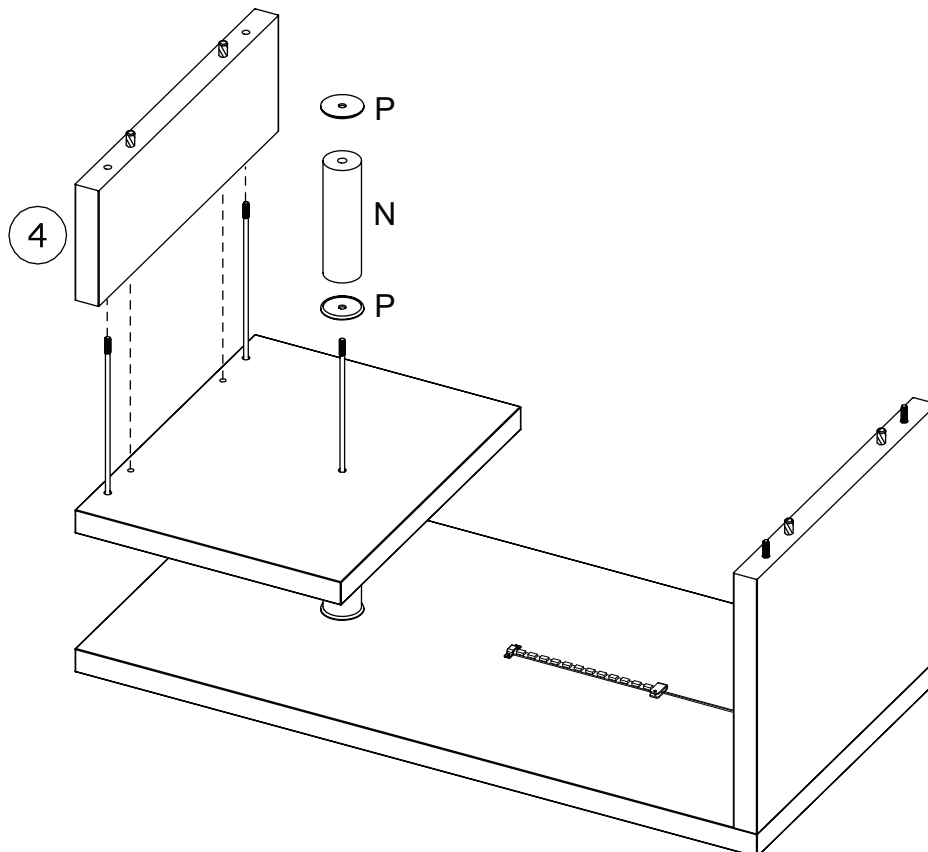
For this step:  
*Tools required*

*Fittings required*



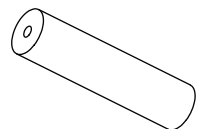
Q x2

**STEP 6**

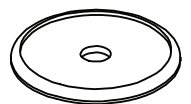


For this step:  
*Tools required*

*Fittings required*

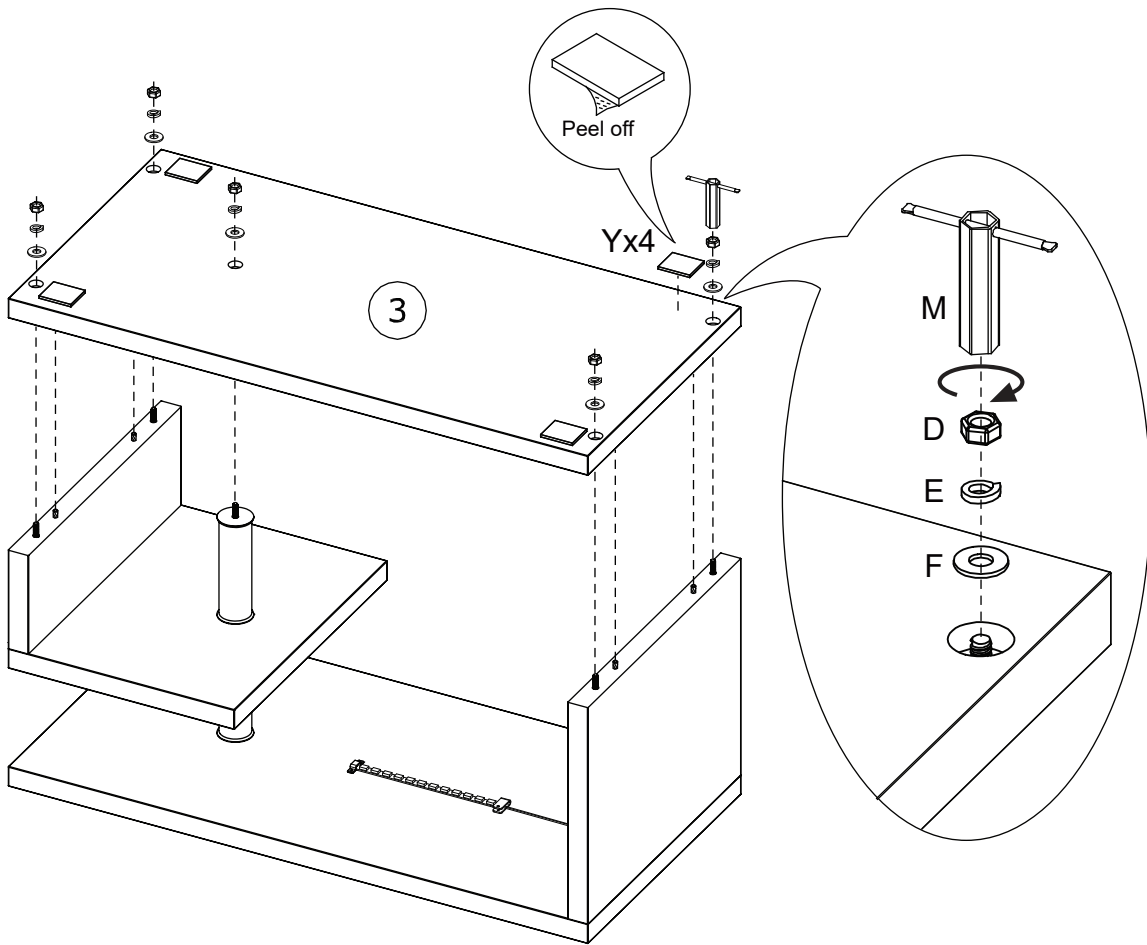


N x1

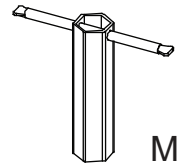


P x2

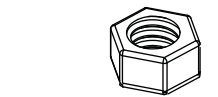
**STEP 7**



For this step:  
**Tools required**



**Fittings required**



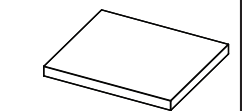
D x5



E x5



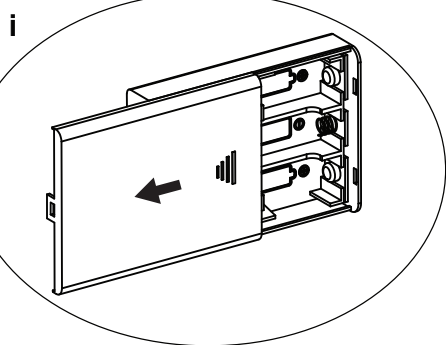
F x5



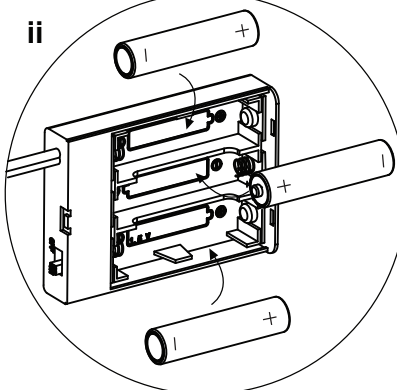
Y x4

**CHANGING THE BATTERIES**

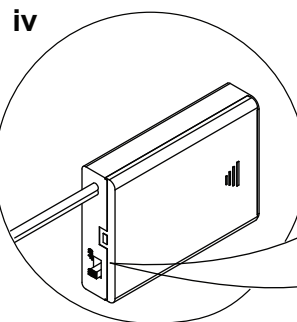
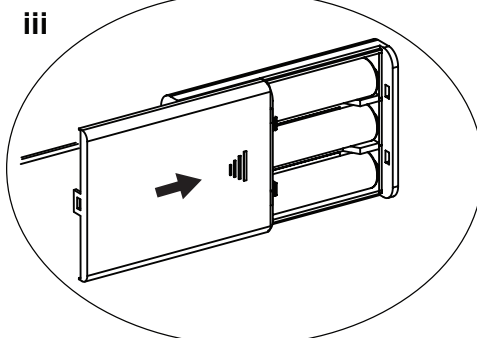
**SLIDE OFF THE LID**



**CHANGE BATTERIES**



**SLIDE LID BACK ON**



**USE GOOD QUALITY AA BATTERIES. FOR BEST RESULTS USE RE-CHARGEABLES.**

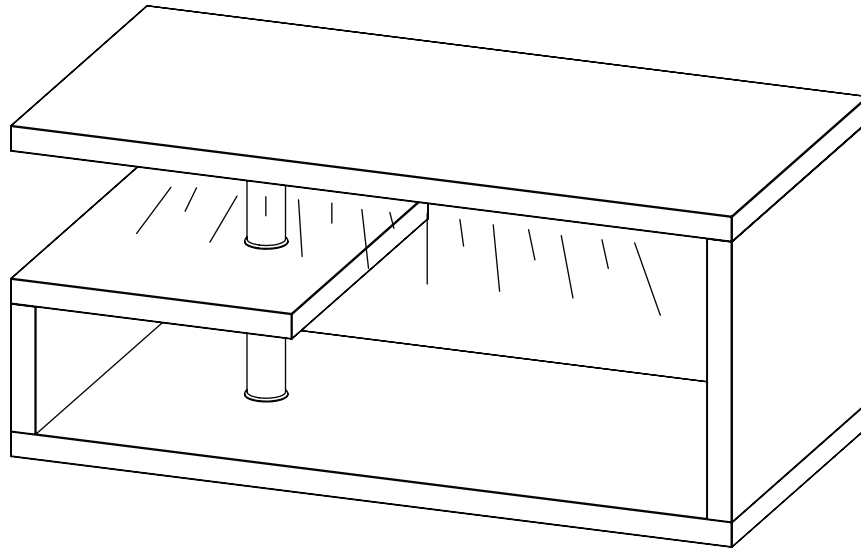


## Assembly Completed

Your Polar Coffee Table is now completely assembled.

Periodically check to ensure that the components are in their proper position, free from damage.

Also, make sure the connectors are tight and secure.



**Keep instructions for future reference**

