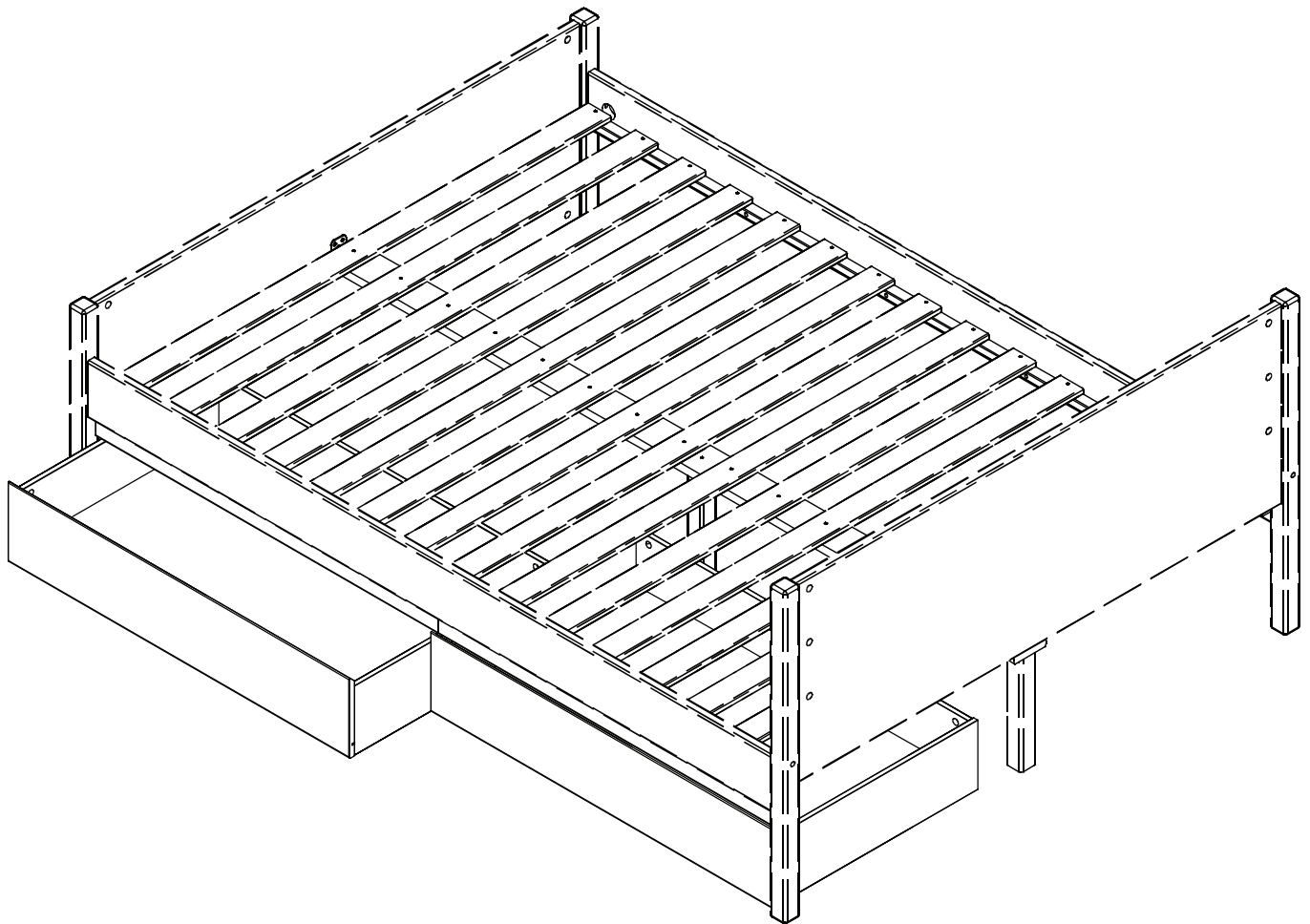



JENSON



habitat



Spare Parts

-  www.argos-support.co.uk
-  Help@ClickSpares.co.uk
-  0370 112 1928

Customer Support

-  claims-argos@thuka.com
-  00372 555 88 518

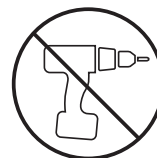
Safety and Care Advice

Product Details

White 484/2501
Grey 733/6461

IMPORTANT, RETAIN FOR FUTURE REFERENCE: READ CAREFULLY.

- Keep children and animals away from the work area. Small parts could choke if swallowed.
- Make sure you have enough space to layout the parts before starting.
- This product has been constructed to be used in the domestic environment only and not for commercial purposes.
- Assemble the item as close to its final position (in the same room) as possible.
- Assemble on a soft level surface to avoid damaging the unit or your floor.
- Parts of the assembly will be easier with 2 people.
- Assembly to be carried out by a competent adult only.
- Do not use this item if any components are missing or damaged



- We do not recommend the use of power drill/drivers for inserting screws, as this could damage the unit. Only use hand screwdrivers.
- Dispose of all packaging carefully and responsibly.

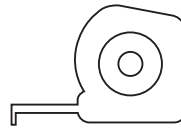
Care and maintenance

- Only clean using a damp cloth and mild detergent. Do not use bleach or abrasive cleaners. Furniture polish is not recommended.
- From time to time check that there are no loose screws, nuts or bolts. If there are please re-tighten.
- This product should not be discarded with household waste. Take to your local authority waste disposal centre.
- This product is suitable for children in the age 4 to 12 years. Maximum load in each drawer 7 kg.

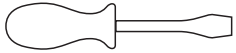
Tools required



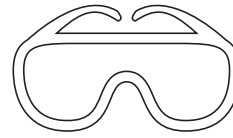
Phillips screwdriver
(medium)



Ruler/tape
measure



Flatblade screwdriver
(medium)

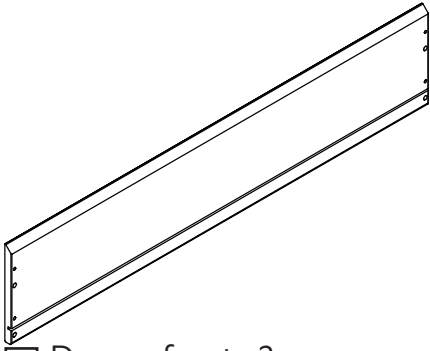


Eye protection
(when using a
hammer or glue)

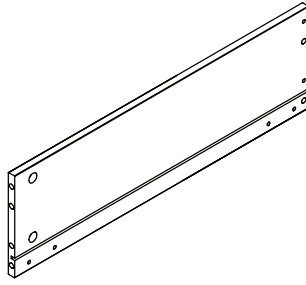


Small hammer

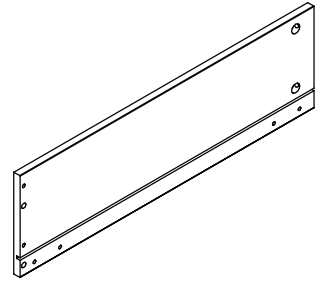
Components



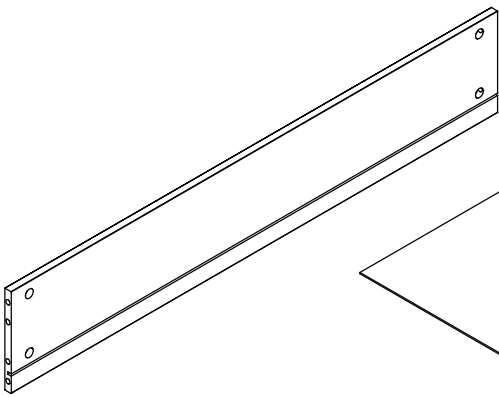
1 Drawer front x2
(936x190x16mm)
No. 4301-1609362-40 White
No. 4301-1609362-65 Grey



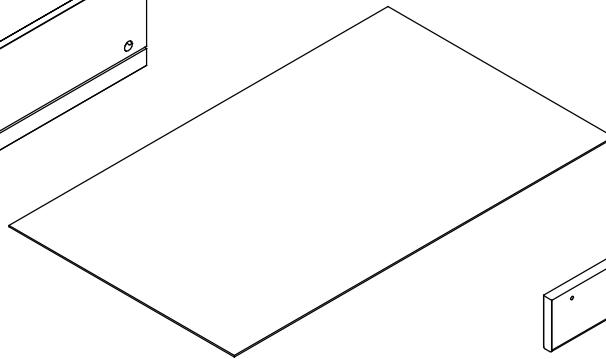
2 Drawer side left x2
(550x165x12mm)
No. 15-01205502



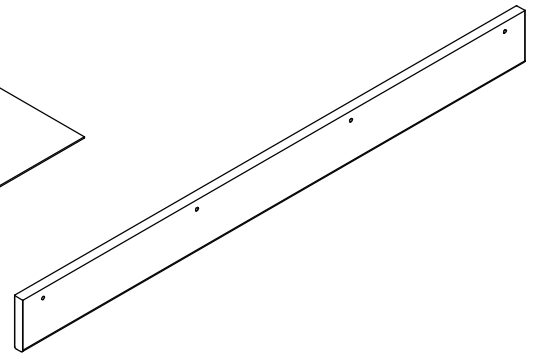
3 Drawer side right x2
(550x165x12mm)
No. 15-01205501



4 Drawer back x2
(910x165x12mm)
No. 15-01209101



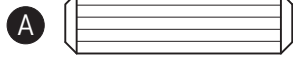
5 Drawer base x2
(922x548x3mm)
No. 4309-0309221



6 Stop list x2
(939,5x85x16mm)
No. 4301-1609401-40 White
No. 4301-1609401-65 Grey

Fittings (Shown to scale)

Bag 1



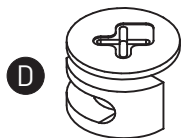
A
Dowel $\varnothing 8 \times 30 \text{mm} \times 16$
No. 3930-08030



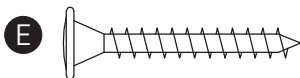
B
Euro screw $\varnothing 6,1 \times 11,5 \text{mm} \times 16$
No. 3907-61011



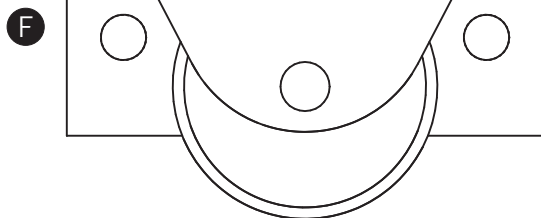
C
Minifix bolt $\varnothing 7 \times 34 \text{mm} \times 16$
No. 4020-007



D
Minifix cam $\varnothing 15 \times 9,5 \text{mm} \times 16$
No. 3933-15010

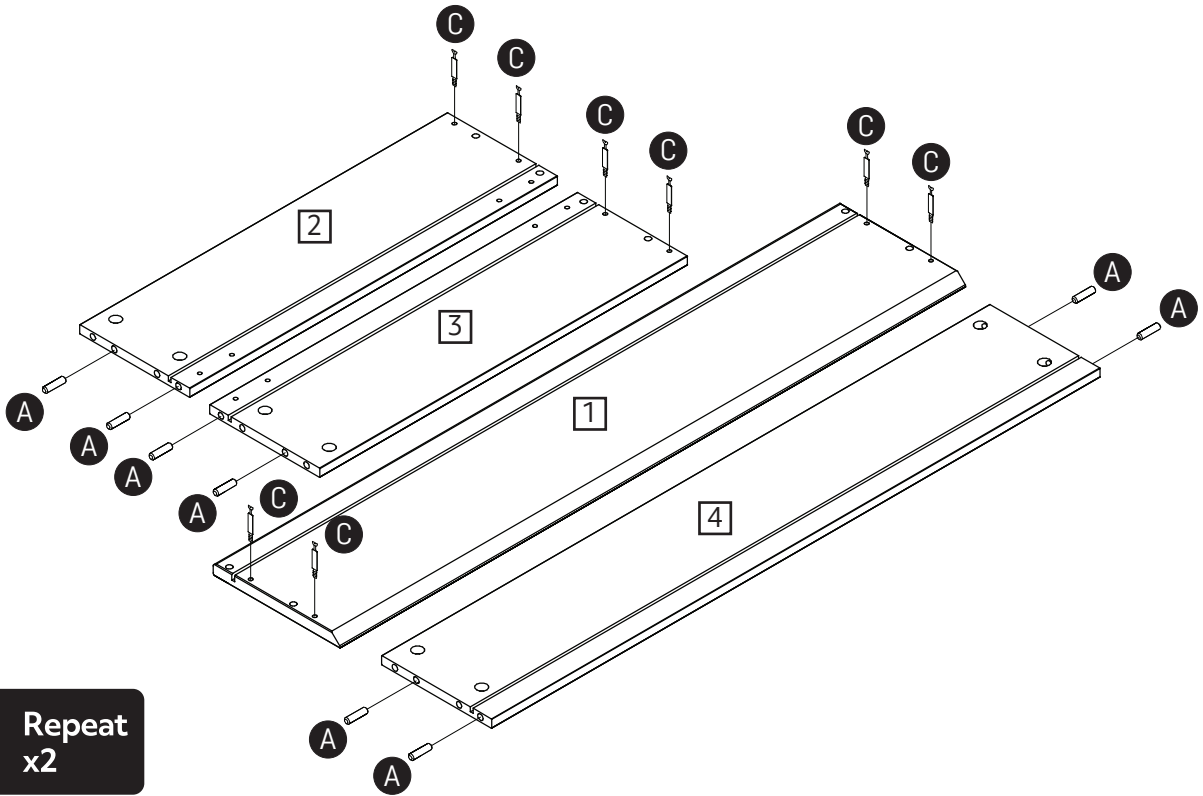
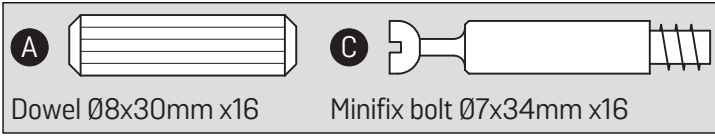


E
Chipboard screw $\varnothing 4 \times 30 \text{mm} \times 8$
No. 3903-40030

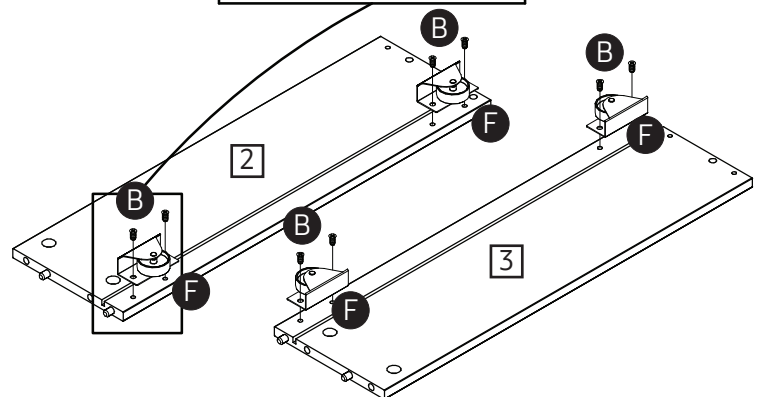
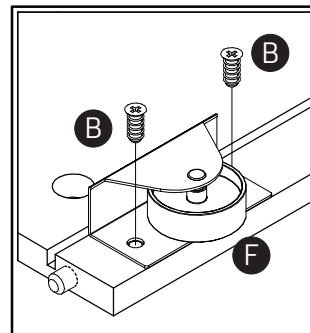
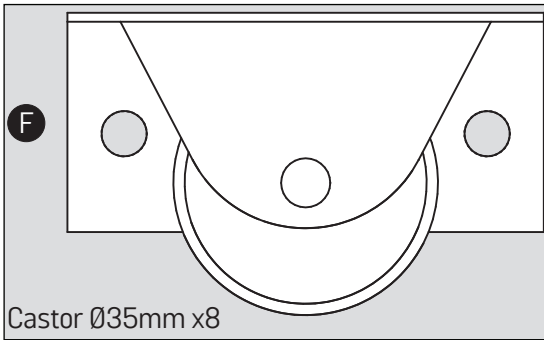


F
Castor $\varnothing 35 \text{mm} \times 4$
No. 4003-003

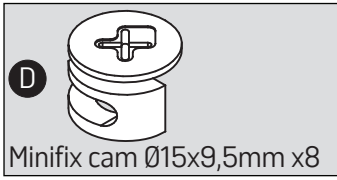
1



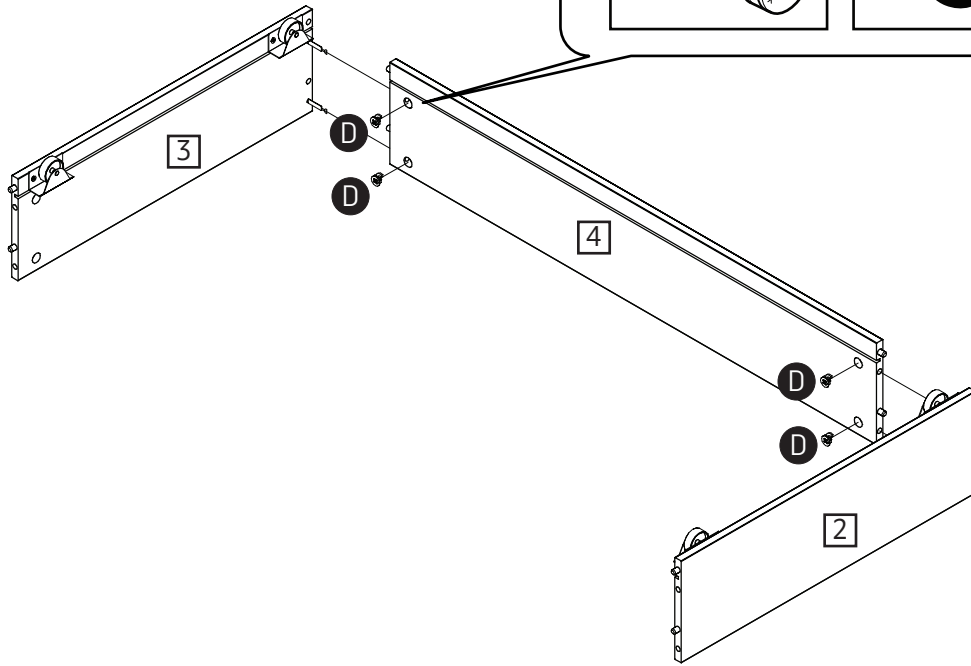
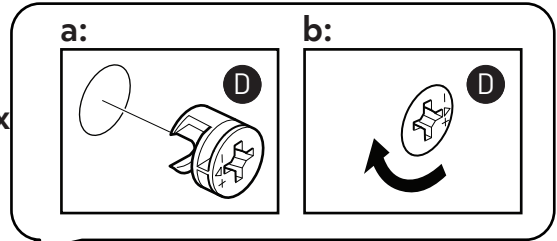
2



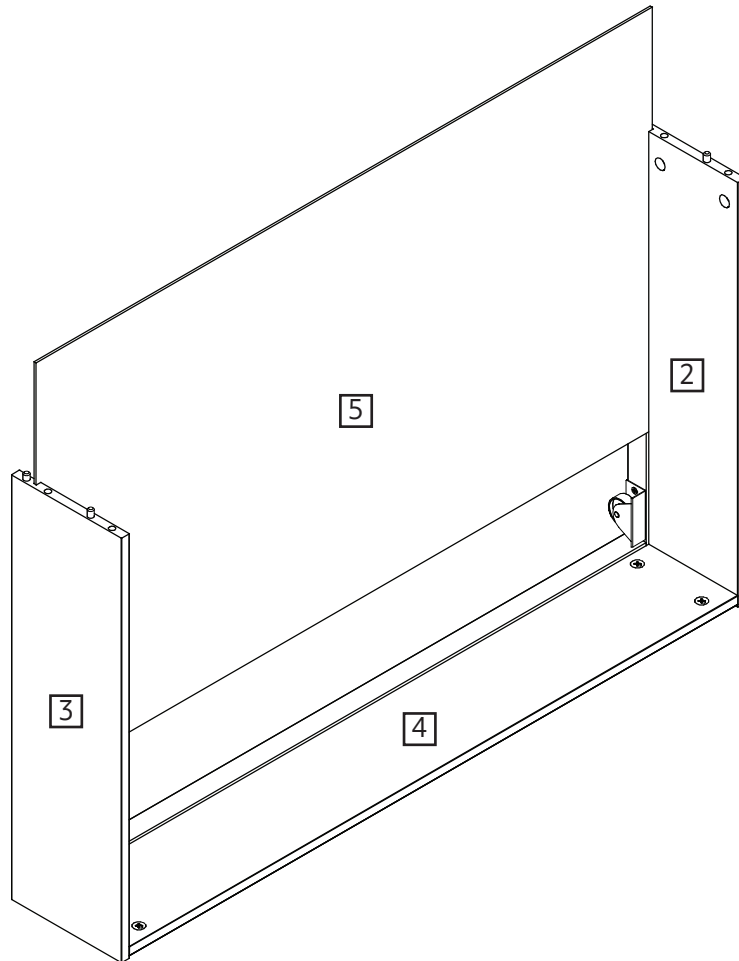
3



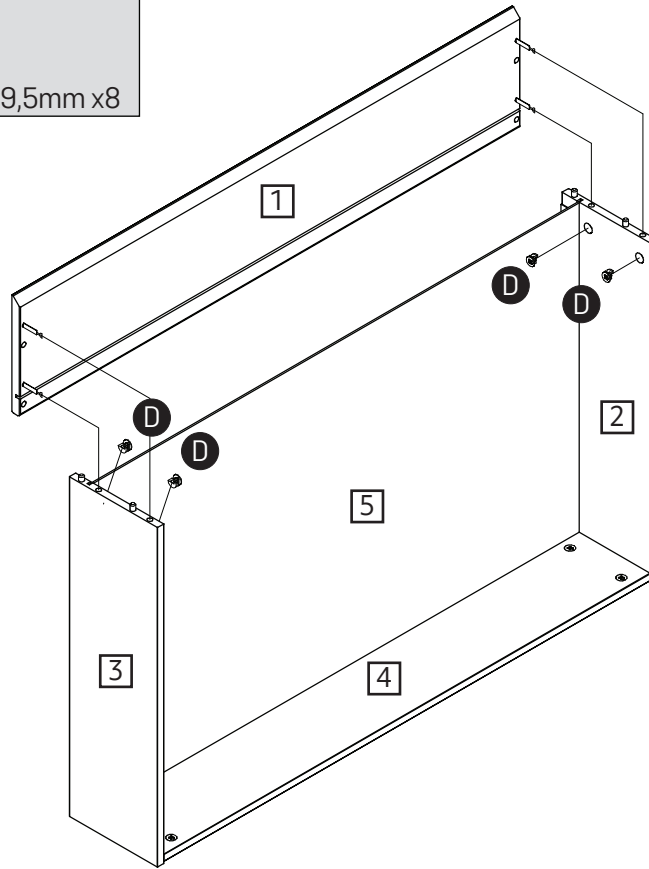
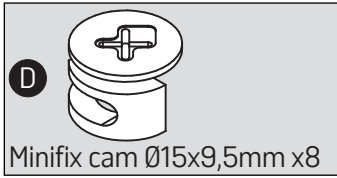
8x



4

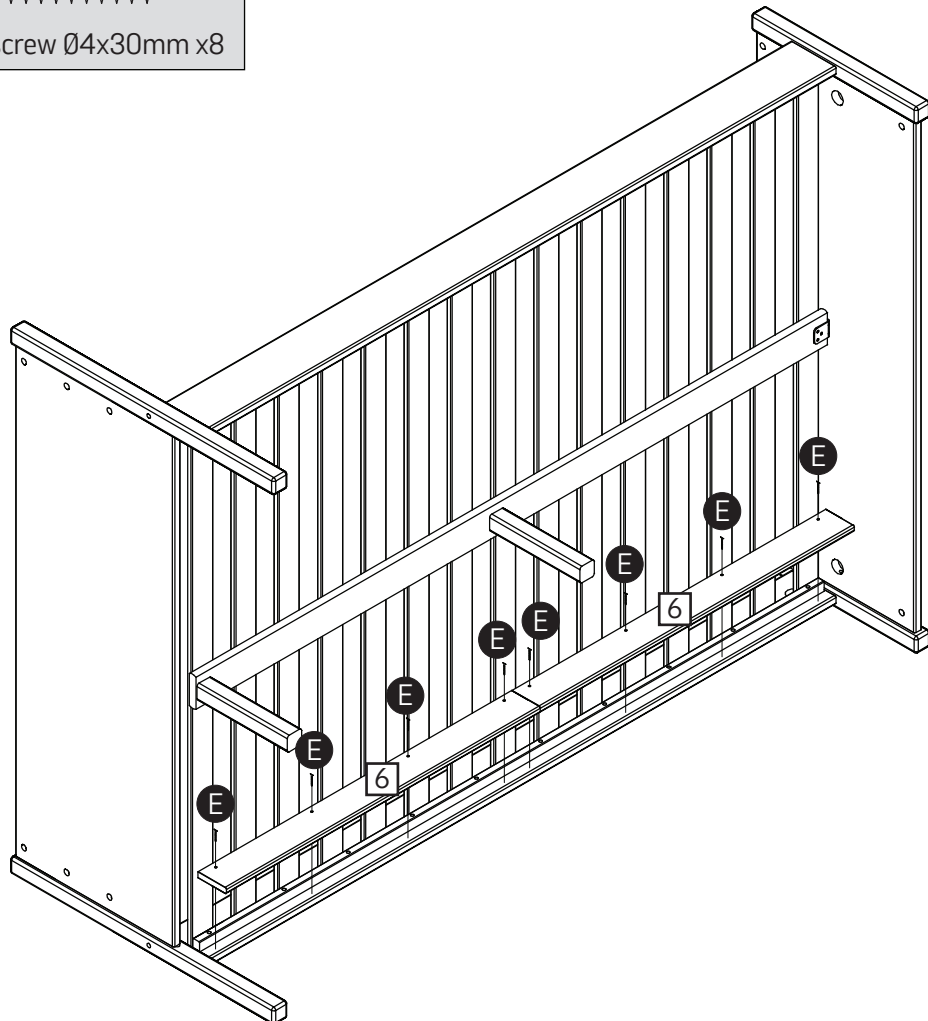
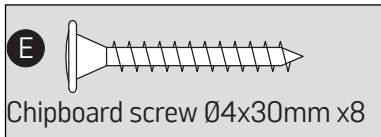


5



Repeat
x2

6



Repeat
x2