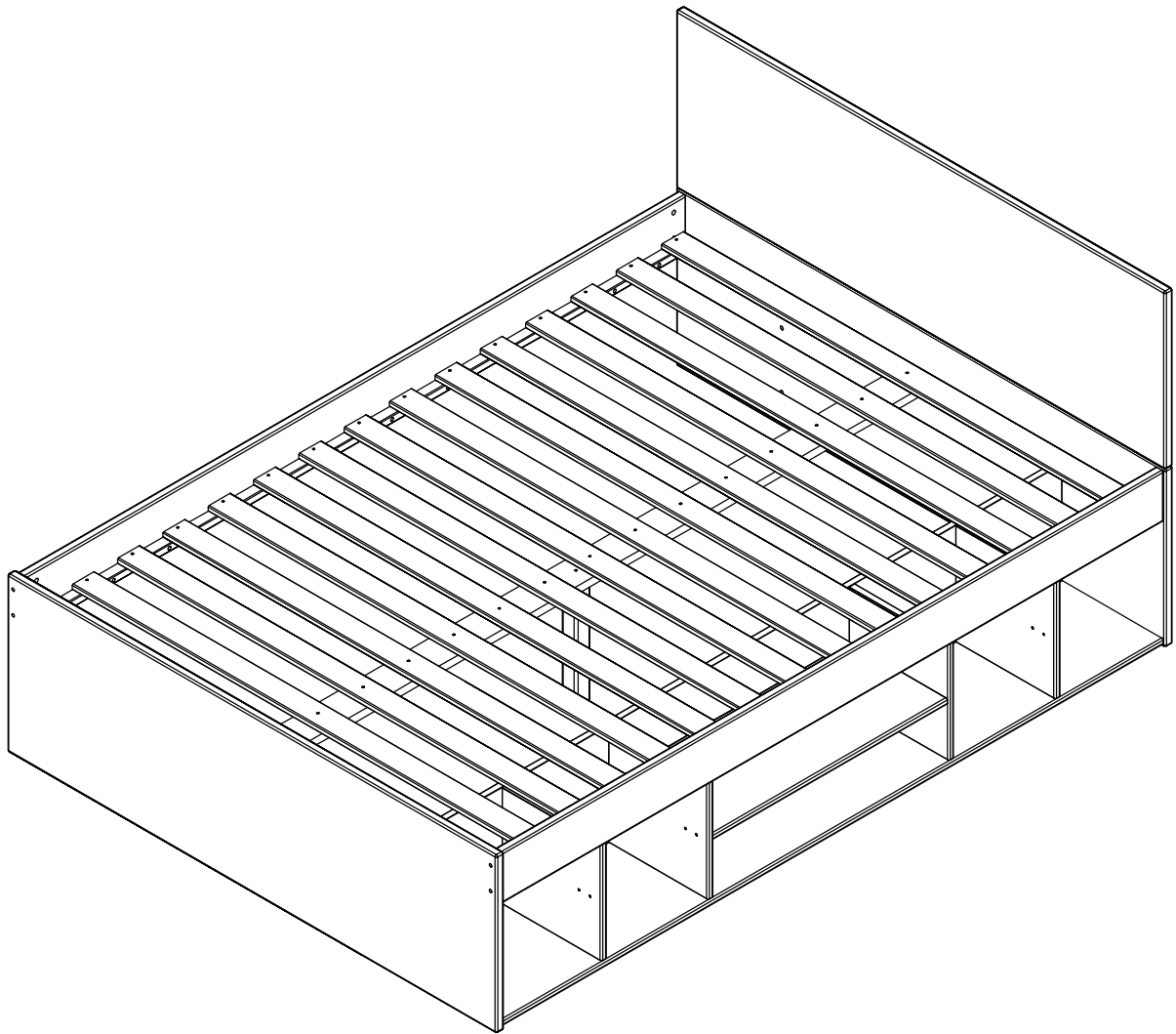




SQUARE



HOME



Spare Parts

-  www.argos-support.co.uk
-  Help@ClickSpares.co.uk
-  0370 112 1928

Customer Support

-  claims-argos@thuka.com
-  00372 555 88 518

Safety and Care Advice

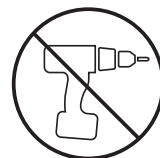
Product Details

White 785/3346

IMPORTANT, RETAIN FOR FUTURE REFERENCE: READ CAREFULLY.

- Keep children and animals away from the work area. Small parts could choke if swallowed.
- Make sure you have enough space to layout the parts before starting.
- This product has been constructed to be used in the domestic environment only and not for commercial purposes.
- Assemble the item as close to its final position (in the same room) as possible.

- Assemble on a soft level surface to avoid damaging the unit or your floor.
- Parts of the assembly will be easier with 2 people.
- Assembly to be carried out by a competent adult only.
- Do not use this item if any components are missing or damaged



- We do not recommend the use of power drill/drivers for inserting screws, as this could damage the unit. Only use hand screwdrivers.
- Dispose of all packaging carefully and responsibly.

Care and maintenance

- Only clean using a damp cloth and mild detergent. Do not use bleach or abrasive cleaners. Furniture polish is not recommended.

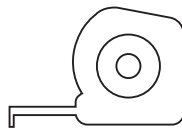
- From time to time check that there are no loose screws, nuts or bolts. If there are please re-tighten.

- This product should not be discarded with household waste. Take to your local authority waste disposal centre.

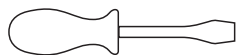
Tools required



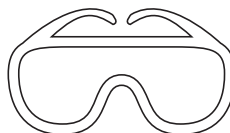
Phillips screwdriver
(medium)



Ruler/tape
measure



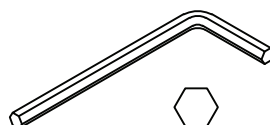
Flatblade screwdriver
(medium)



Eye protection
(when using a
hammer or glue)

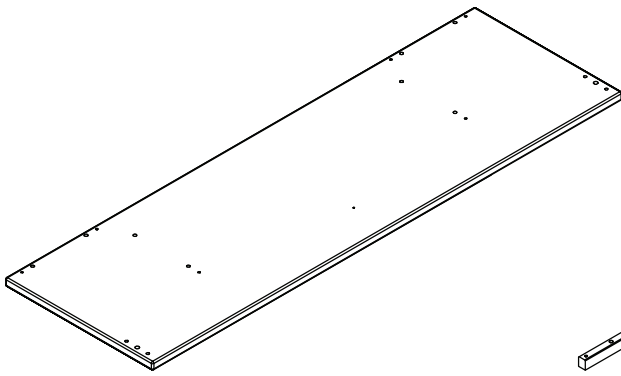


Small hammer

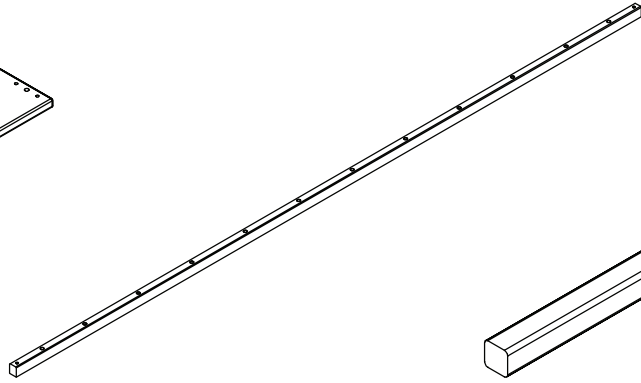


Allen key 4mm
(included)
No. 4033-002

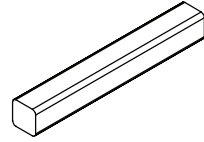
Components



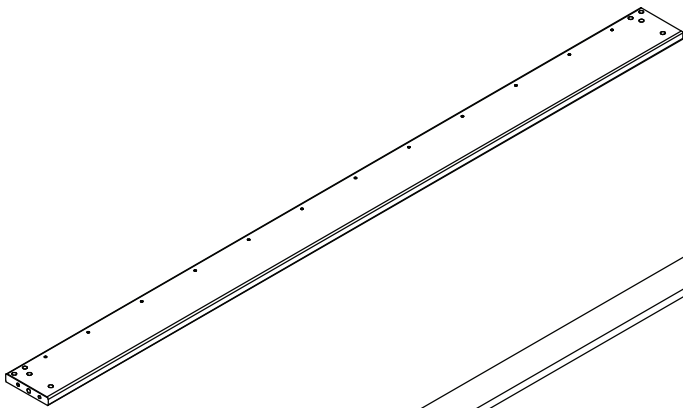
1 Bed end x2
(1406x442x22mm)
No. 4301-2214061-40



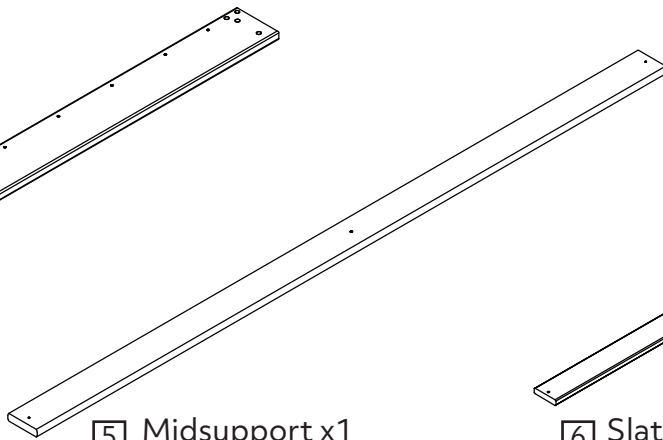
2 List x2
(1870x26x20mm)
No. 12-02018704



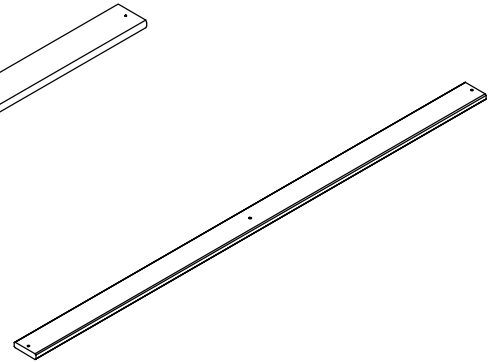
3 Leg for midsupport x1
(316x43x43mm)
No. 12-04303161



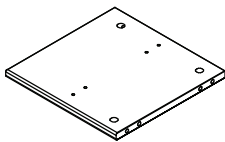
4 Bedside x2
(1900x127x22mm)
No. 4301-2219001-40



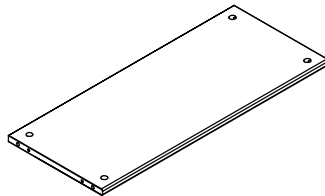
5 Midsupport x1
(1884x89x20mm)
No. 12-02018841



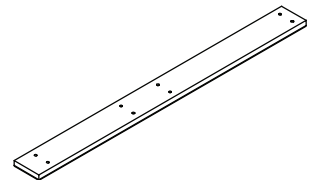
6 Slat x15
(1347x65x14,7mm)
No. 12-01513471



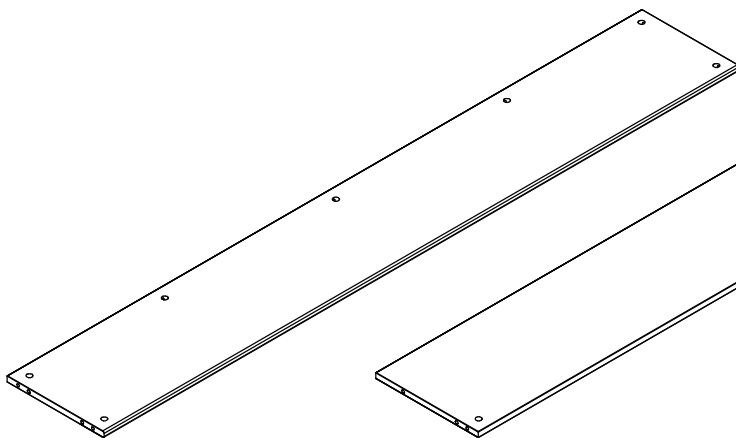
7 Partition x4
(289x286x16mm)
No. 4301-1602891-40



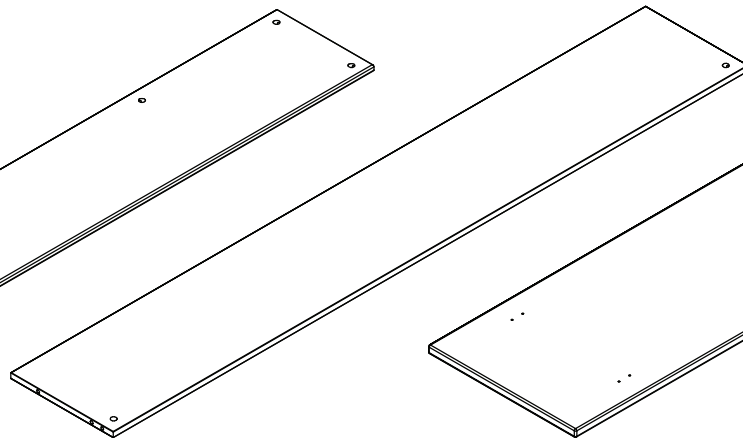
8 Shelf x1
(676x282x16mm)
No. 4301-1606761-40



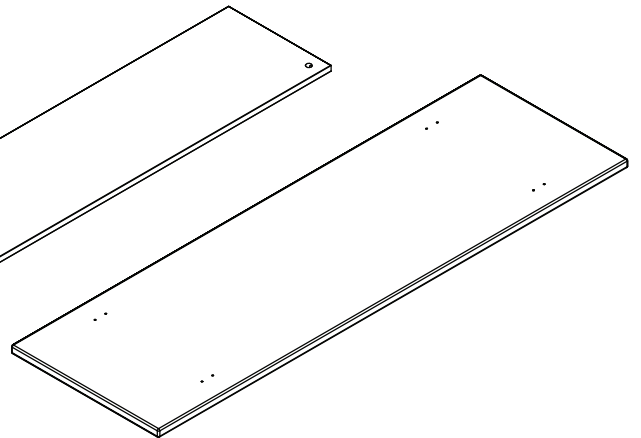
9 Headboard list x2
(700x65x15mm)
No. 12-01507001



10 Bottom panel x1
(1900x290x16mm)
No. 4301-1619002-40



11 Back panel x1
(1900x307x16mm)
No. 4301-1619001-40



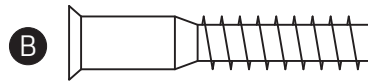
12 Headboard panel x1
(1406x442x22mm)
No. 4301-2214062-40

Fittings (Shown to scale)

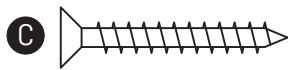
Bag 1



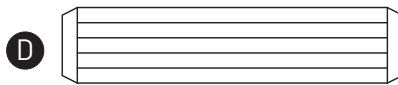
A
Connecting bolt M6x60mm x8
No. 3913-06060



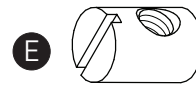
B
Confirmat screw Ø7x40mm x24
No. 3908-70040



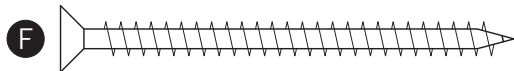
C
Chipboard screw 4,0x30mm x45
No. 3901-40030



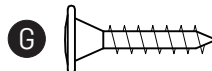
D
Dowel Ø10x45mm x4
No. 3930-10045



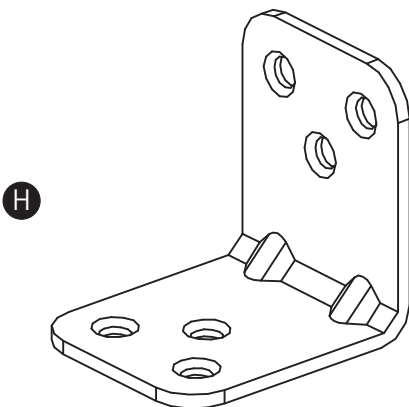
E
Barrel nut M6/Ø10x14mm x8
No. 3922-06014



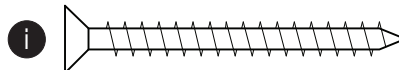
F
Chipboard screw 4,5x60mm x1
No. 3901-45060



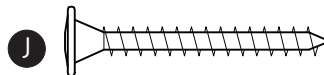
G
Chipboard screw 4,0x20mm x12
No. 3903-40020



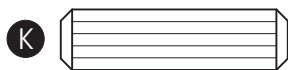
H
Angle 48x48x40 x2
No. 4008-013



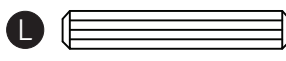
I
Chipboard screw 4,0x45mm x4
No. 3901-40045



J
Chipboard screw 4,0x35mm x16
No. 3903-40035



K
Dowel Ø8x30mm x20
No. 3930-08030



L
Dowel Ø5x30mm x4
No. 3930-05030



M
Minifix cam Ø15x9,5mm x25
No. 3933-15010

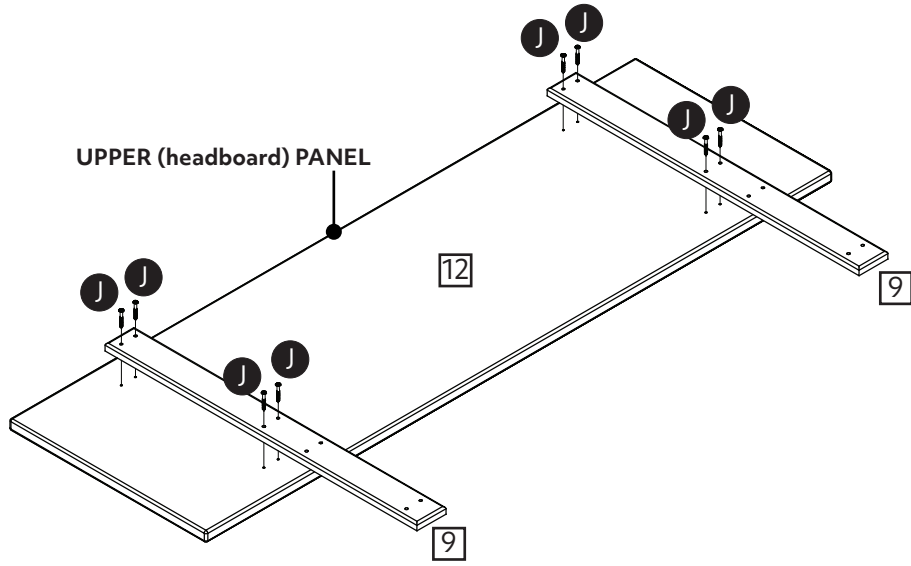
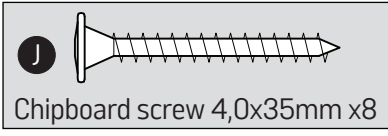


N
Minifix bolt Ø7x34mm x25
No. 4020-005

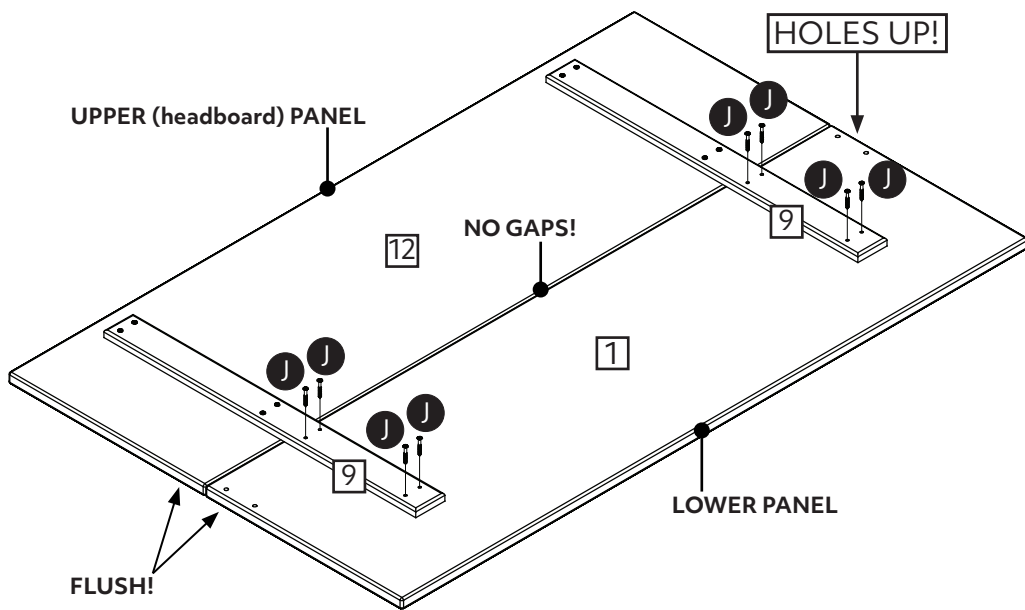
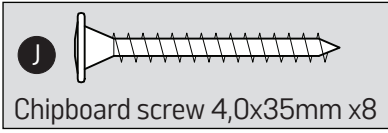


O
Felt Ø14x3,5mm x4
No. 4005-034

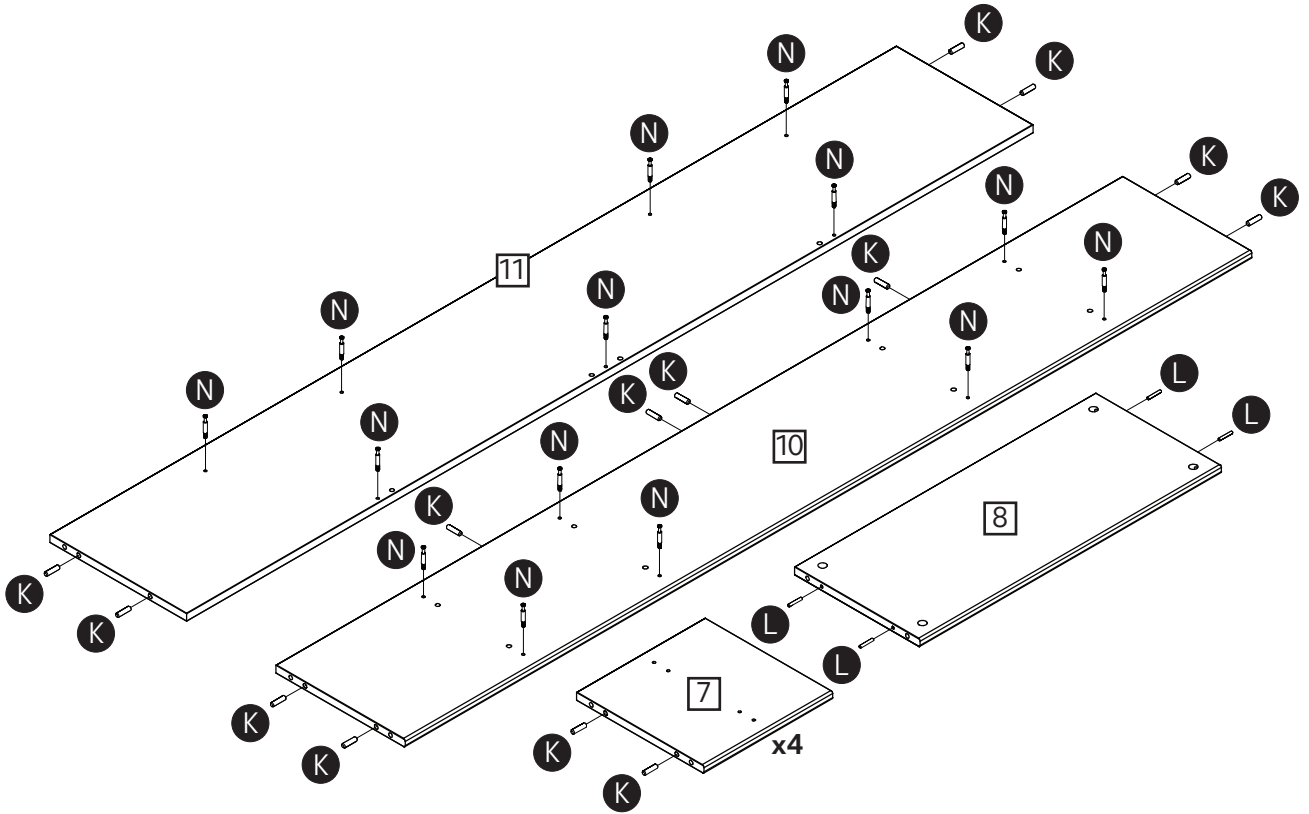
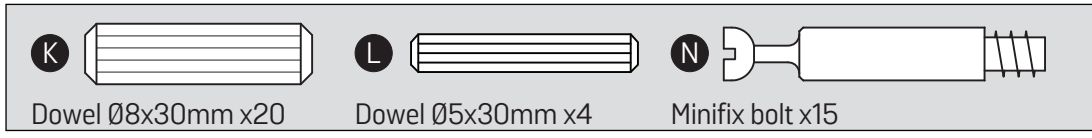
1



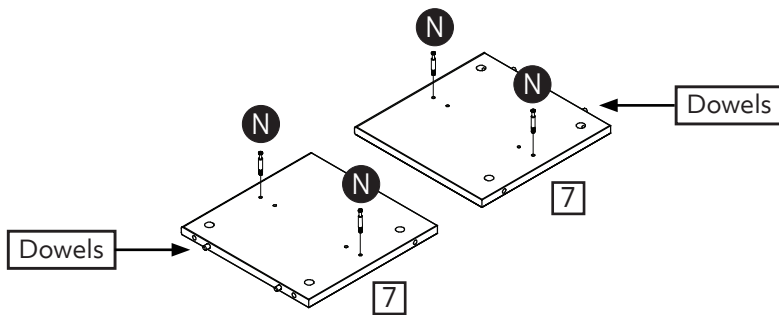
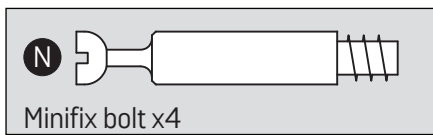
2



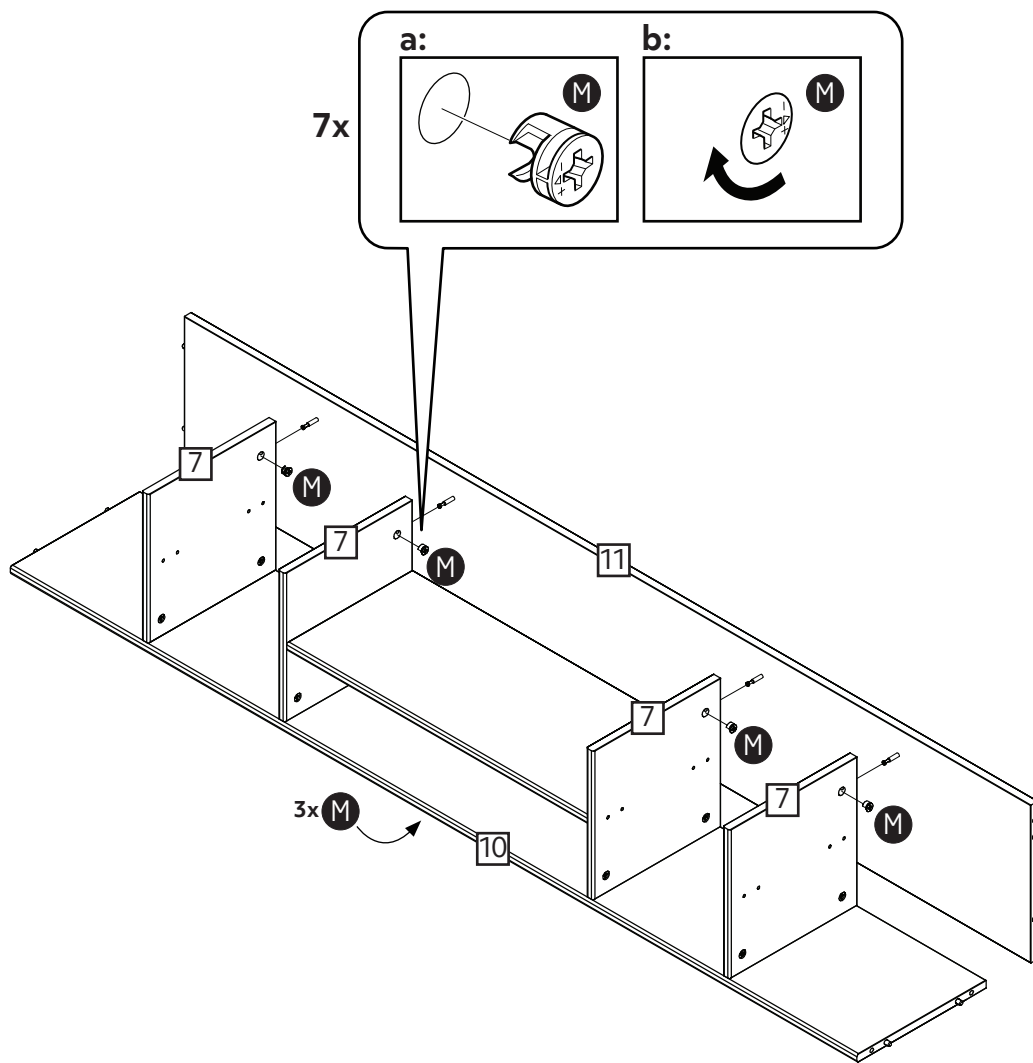
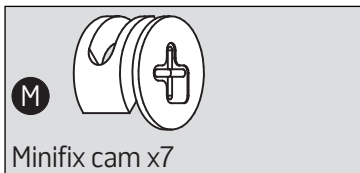
5



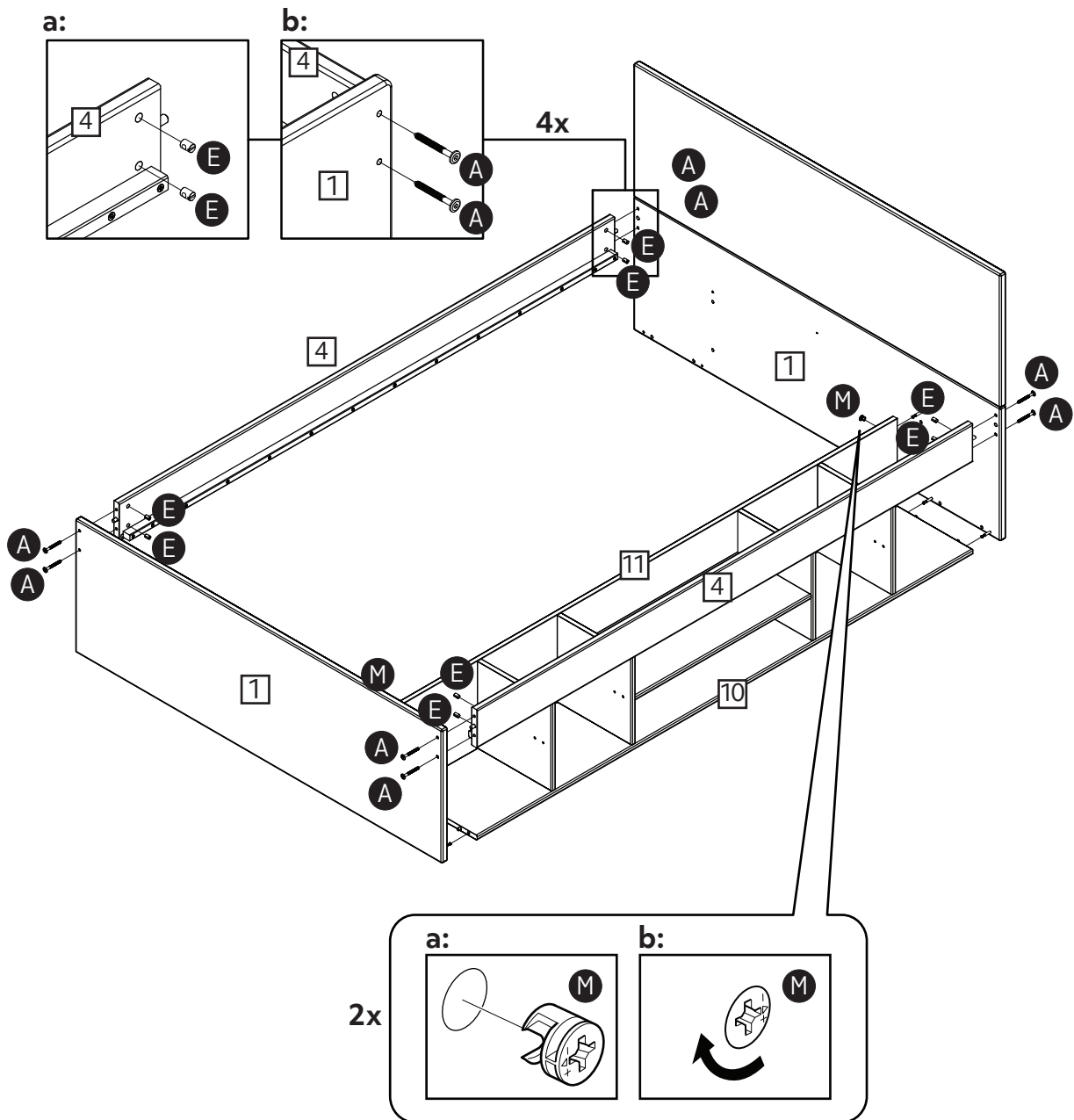
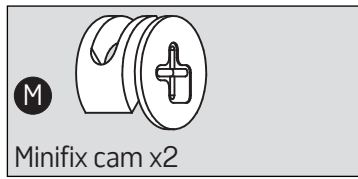
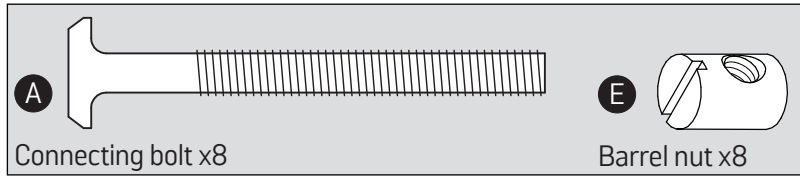
6



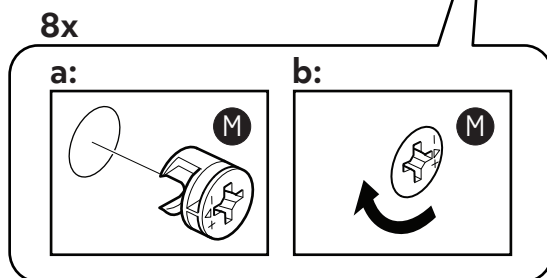
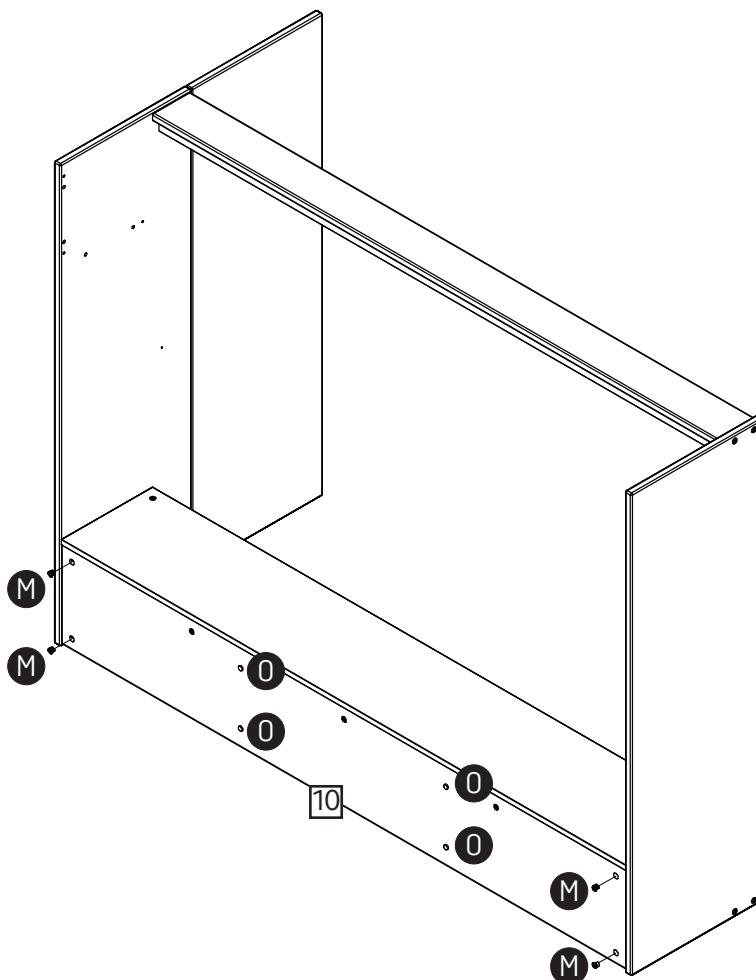
9



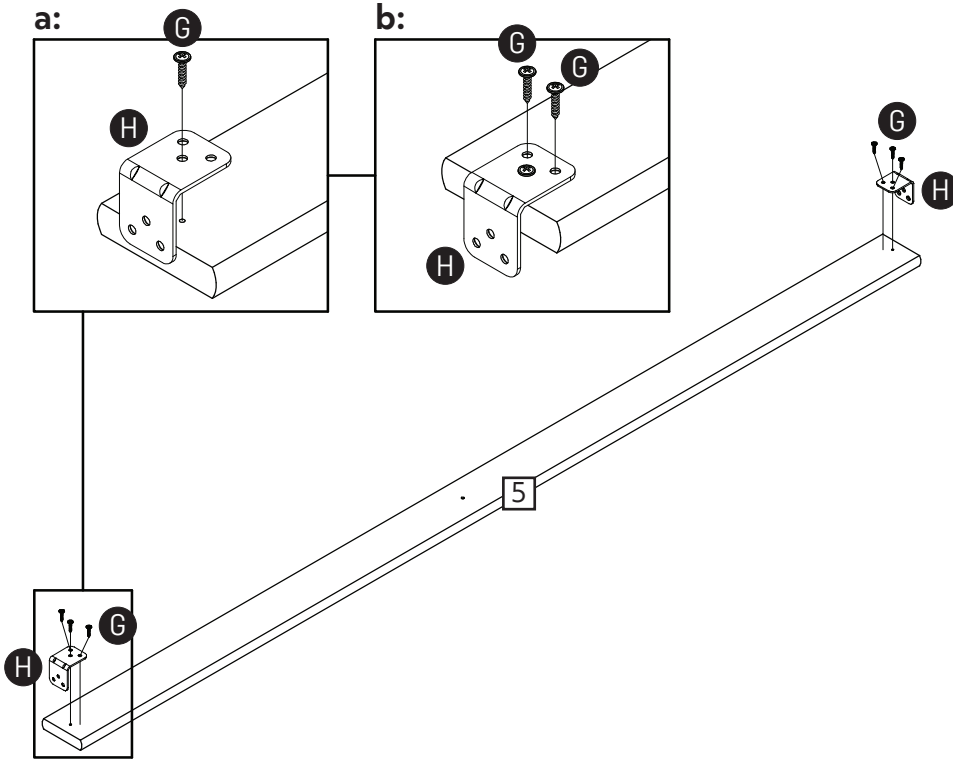
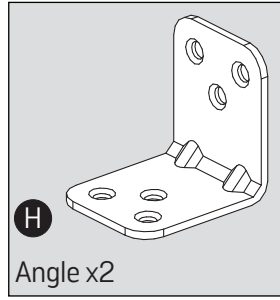
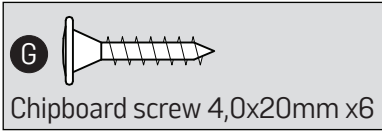
10



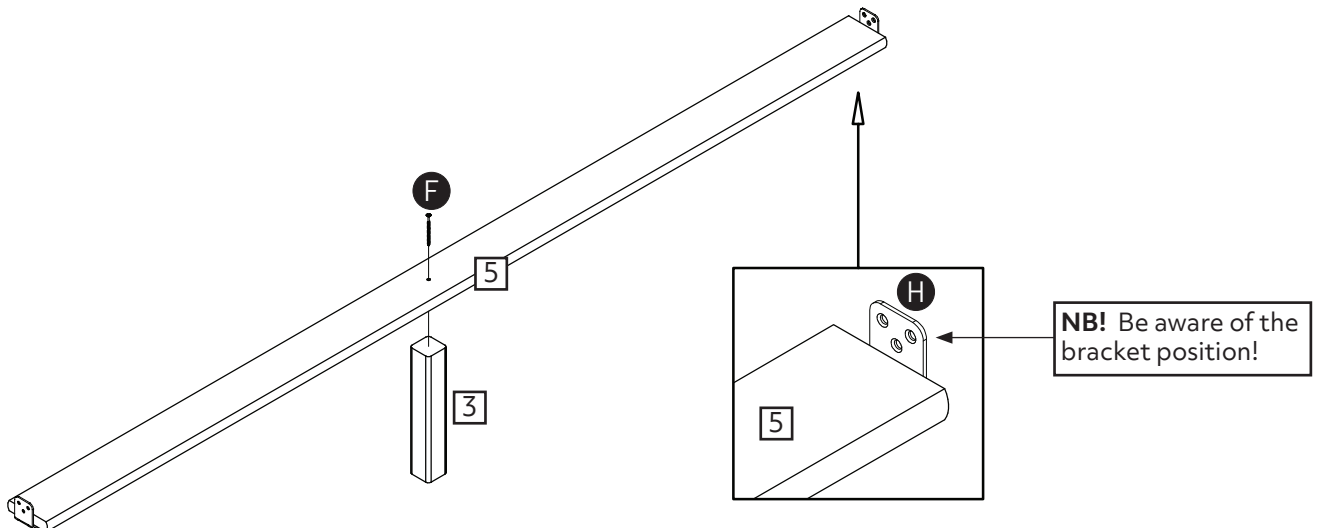
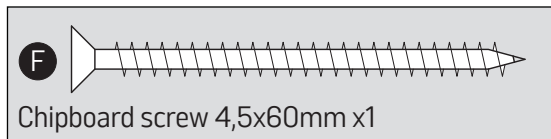
11



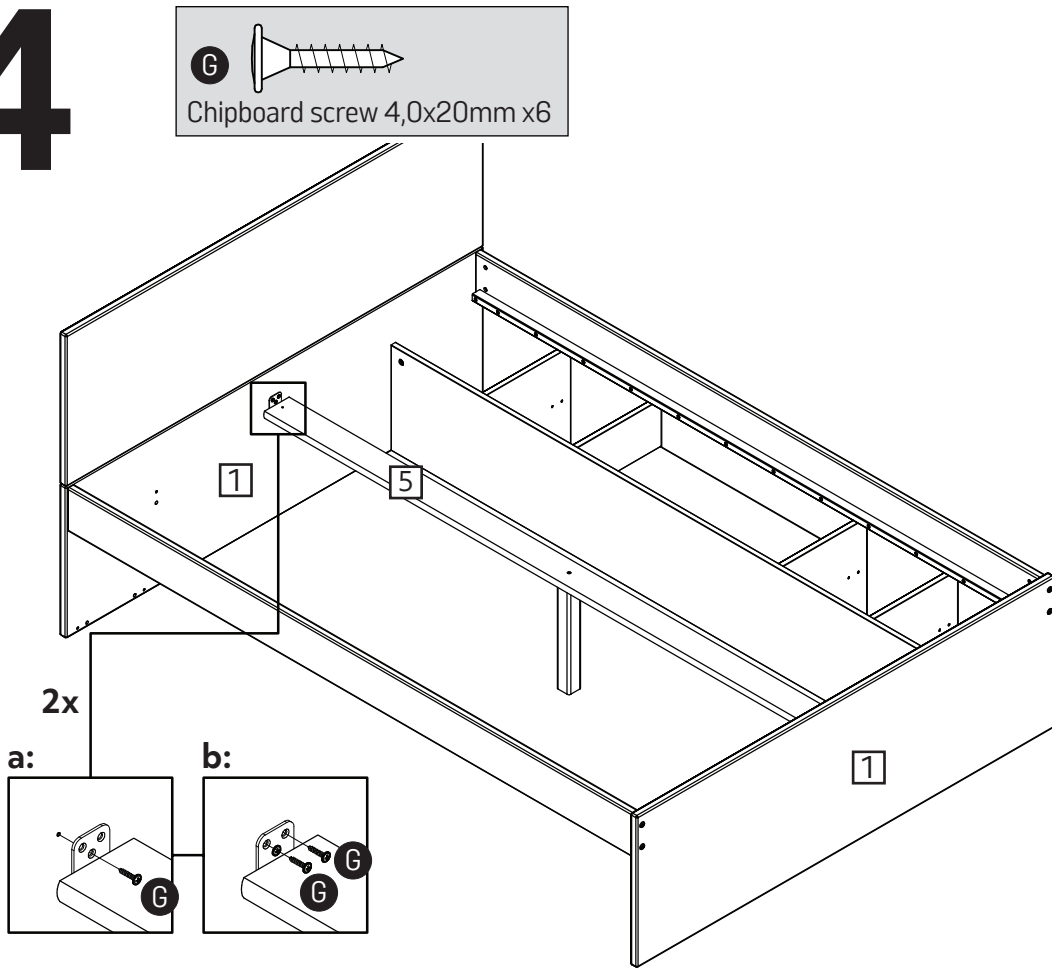
12



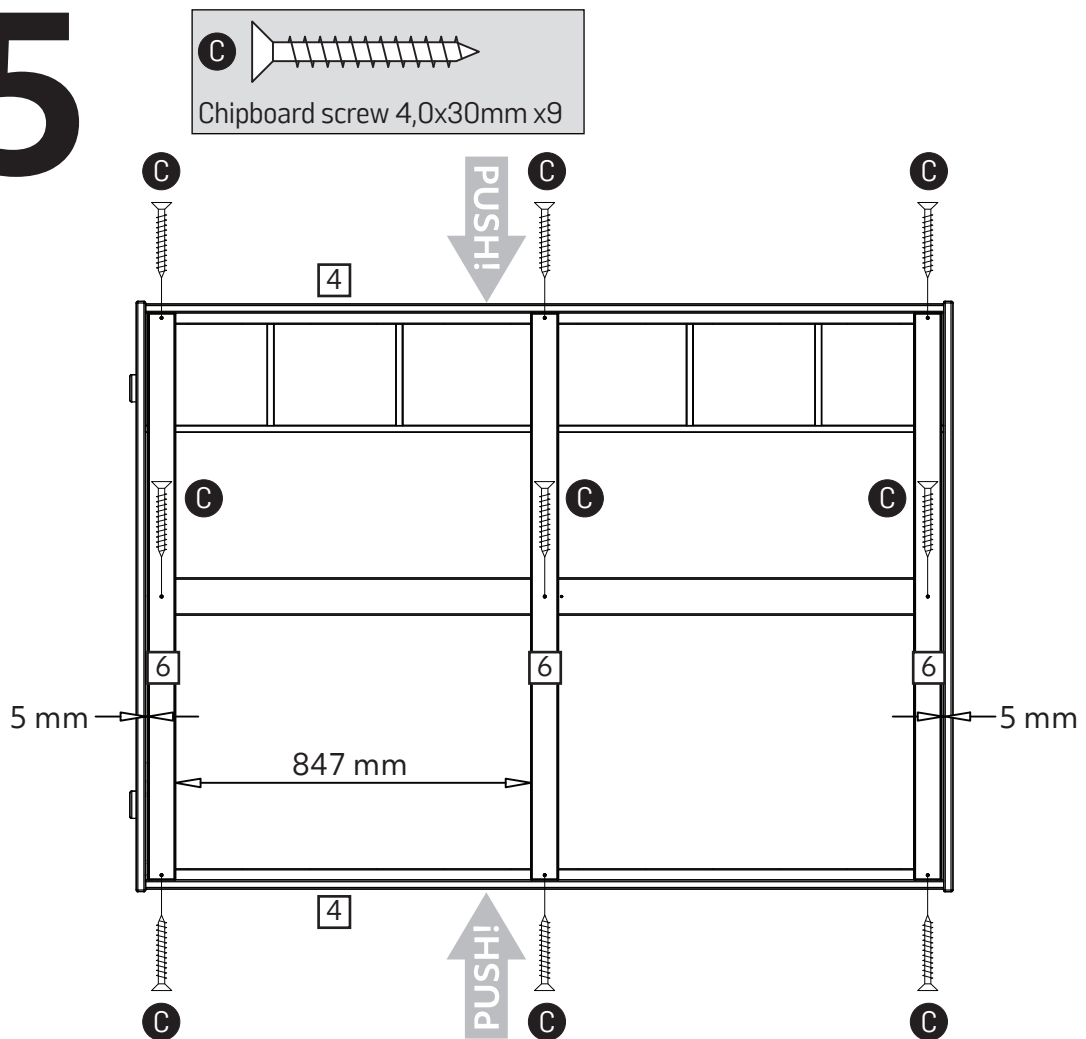
13



14



15



16

