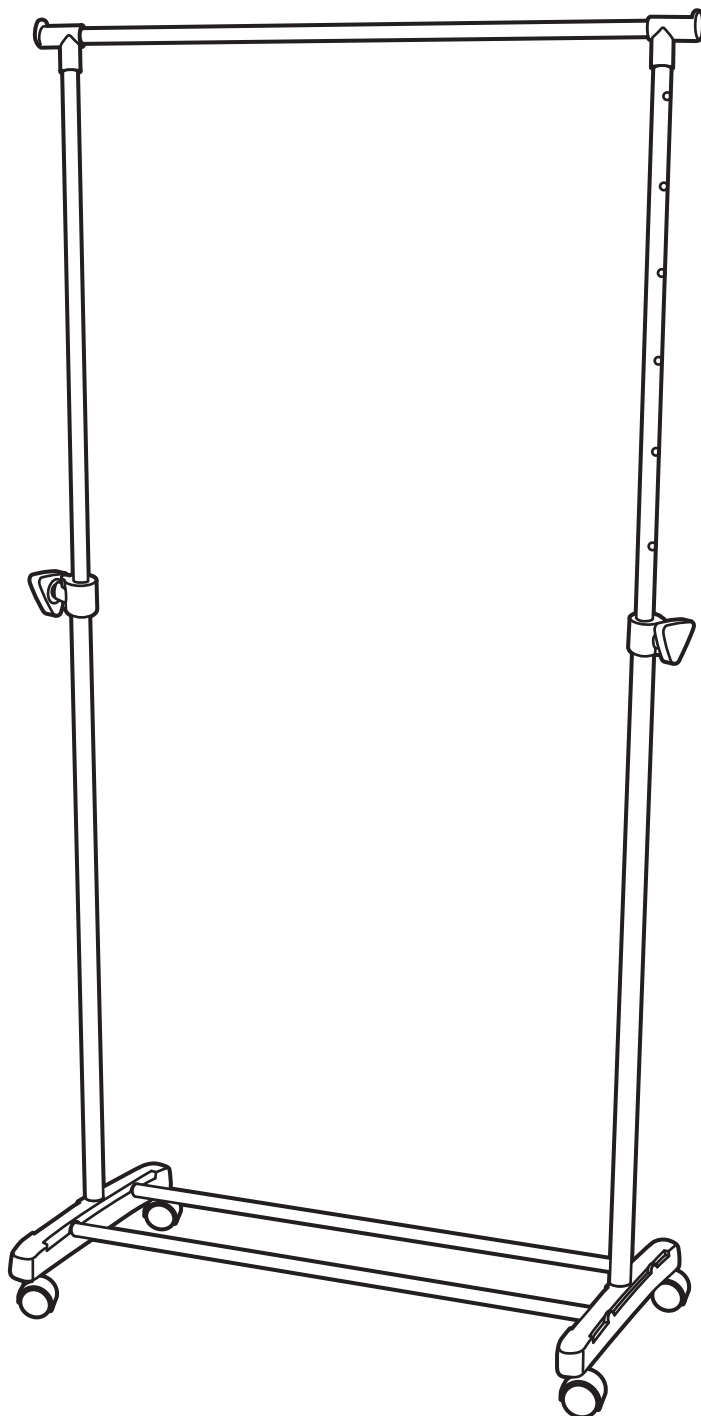


Chrome Tidy Rail

Assembly Instructions – Please keep for future reference

8757049



Dimensions

Width - 84.5cm

Depth - 42.5cm

Height - 99.5/167cm


Important - Please read these instructions fully before starting assembly

If you need help or have damaged or missing parts, call the Customer Helpline: 08456 400800



Safety and care advice

Important - Please read these instructions fully before starting assembly

- Check you have all the components and tools listed on pages 2 and 3.
 - Remove all fittings from the plastic bags and separate them into their groups.
 - Keep children and animals away from the work area, small parts could choke if swallowed.
 - Make sure you have enough space to layout the parts before starting.
 - Assemble the unit as close to its final position (in the same room) as possible.
 - Assemble on a soft level surface to avoid damaging the unit or your floor.
 - Parts of the assembly will be easier with 2 people.
 - If using power tools, please follow the safety instructions supplied with the tools.
- 
- We do not recommend the use of power drill/ drivers for inserting screws, as this could damage the unit. Only use hand screwdrivers.
 - Dispose of all packaging carefully and responsibly.

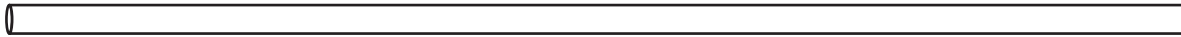
Care and maintenance

- Only clean using a damp cloth and mild detergent, do not use bleach or abrasive cleaners.
- From time to time check that there are no loose screws on this unit.
- This product should not be discarded with household waste. Take to your local authority waste disposal centre.

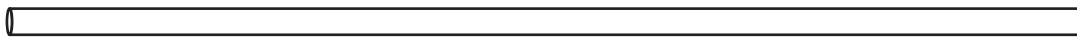
Note: if required the next page can be cut out and used as a reference throughout the assembly. Keep this page with these instructions for future reference.

Components –Parts

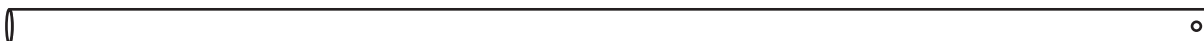
Please check you have all the panels listed below



1 Rail x 1 (84cm)



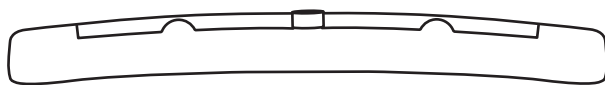
2 Bottom Tube x 2 (78cm)



3 Lower Side Support x 2 (86cm)



4 Upper Side Support x 2 (78cm)



5 Foot x 2 (42cm)



6 Castor x 4





Components – Fittings

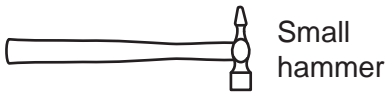
If you have damaged or missing components, call the Customer Helpline: 08456 400800

Please check you have all the fittings listed below

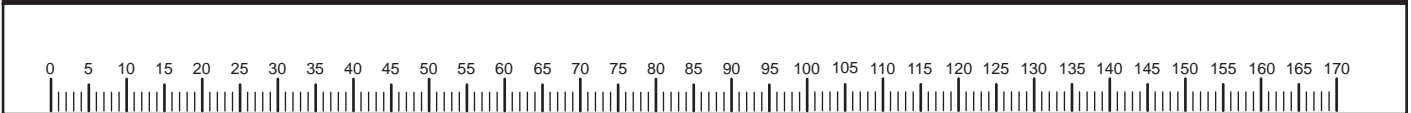
Note: The quantities below are the correct amount to complete the assembly. In some cases more fittings may be supplied than are required.

<p>A</p>  <p>Connector x 2</p>	<p>B</p>  <p>Lock x 2</p>	
--	---	--

Tools required



Ruler - Use this ruler to help correctly identify the screws



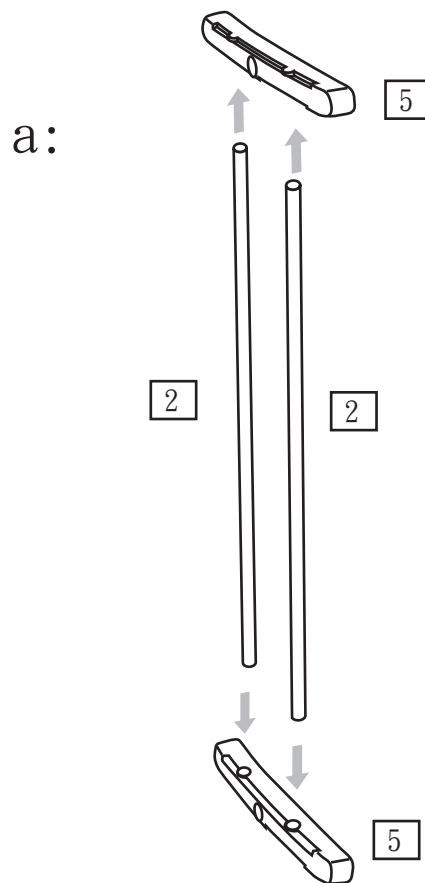
Assembly Instructions

Step 1

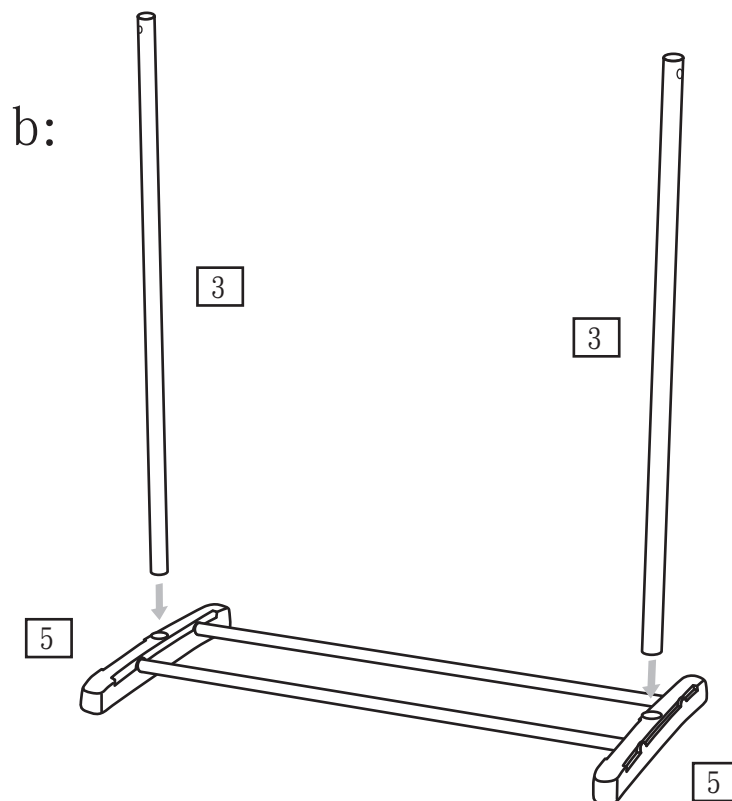
Fitting the Feet

NOTE: It would be useful to ask someone to help you at this stage.

a: Insert Bottom Tubes **2** into Feet **5**.



b: Insert Lower Side Supports **3** into Feet **5**.



Assembly Instructions

Step 2

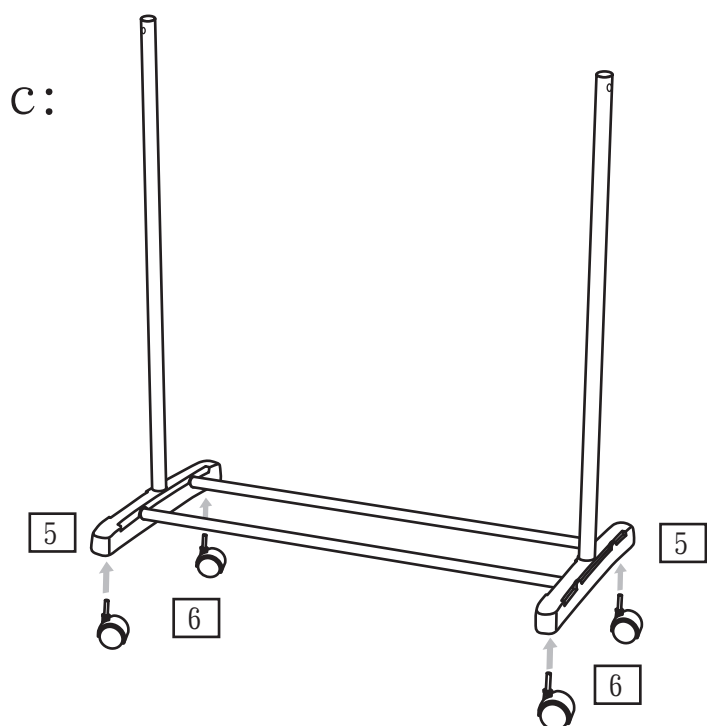
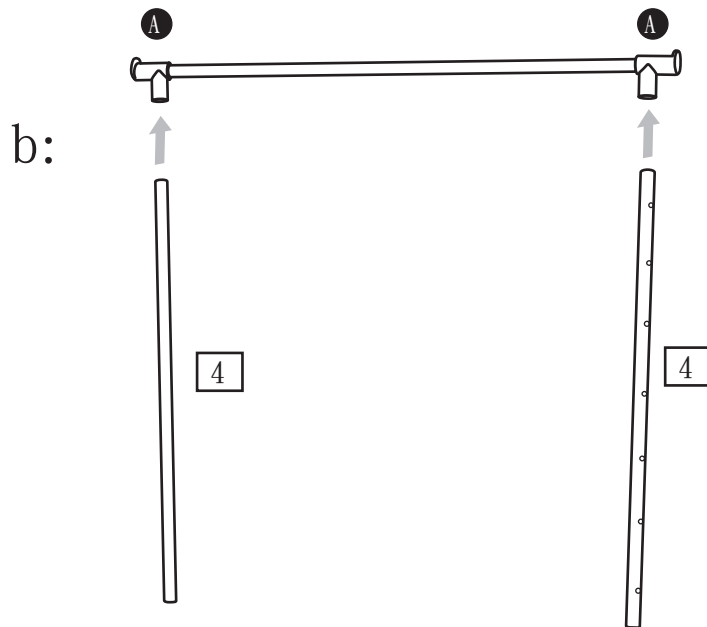
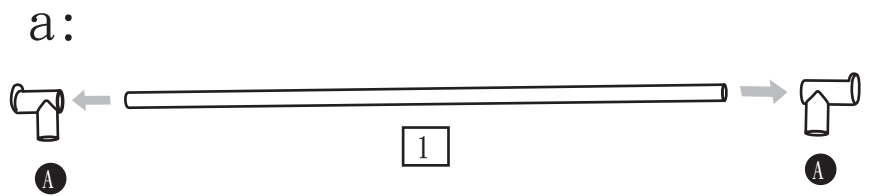
Fitting the Rail

NOTE: It would be useful to ask someone to help you at this stage.

a: Insert Rail **1** into Connectors **A**.

b: Insert Upper Side Supports **4** into Connectors **A**.

c: Insert Castors **6** into Feet **5**.



Assembly Instructions

Step 3

Finishing the Unit

NOTE: It would be useful to ask someone to help you at this stage.

a: Insert Locks **B** onto the Top of Lower Side Support **3**. Align the Screw on Lock **B** into the hole on Lower Side Support **3**.

Insert Upper Side Support **4** into the Locks **B**.

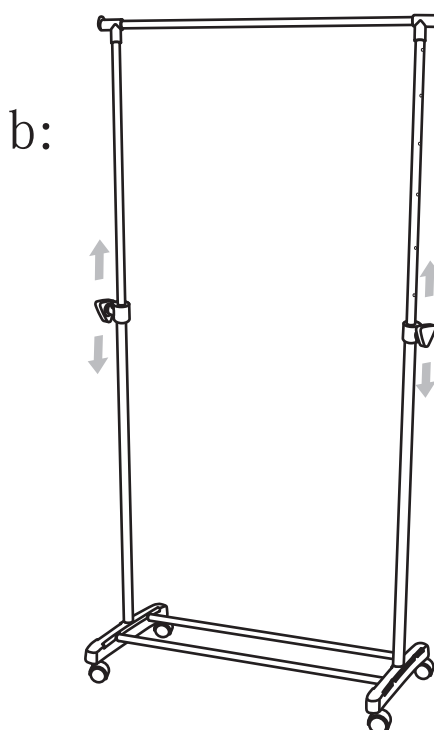
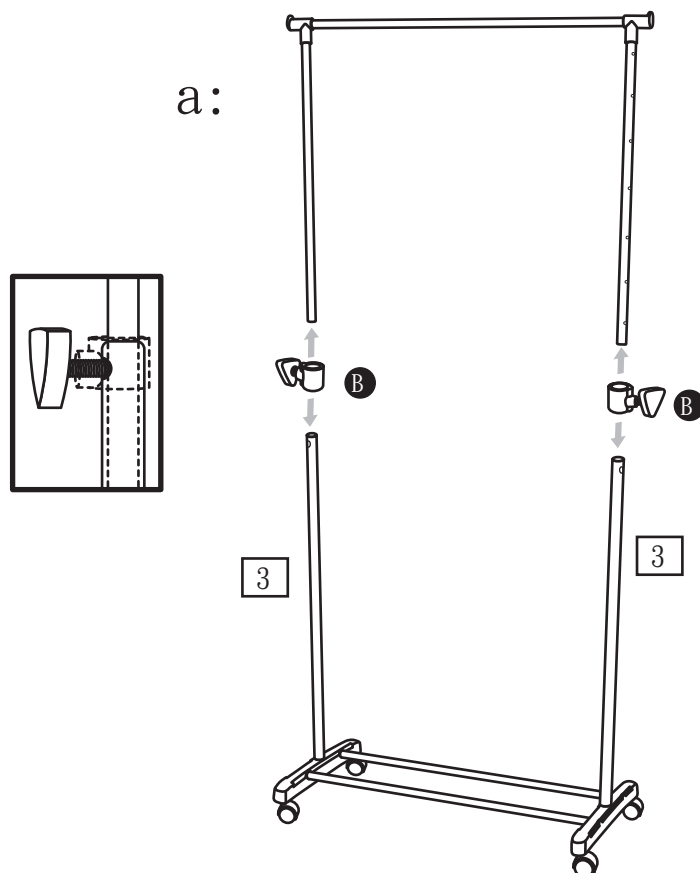
b: Set the height of the unit using the Upper Side Support **4**. Ensuring the Locks **B** are loosened, slide the tubes to the desired height and tighten the Locks to fix in position.

Adjustment Range: 99.5-167cm.

Note: Please hold Upper Side Support and pull downward. It will be fixed if locked or will be glided downward if unlocked.

c: With help, place the unit in the intended position.

The assembly is now complete.



If you need help or have damaged or missing parts, call the Customer Helpline: 08456 400800