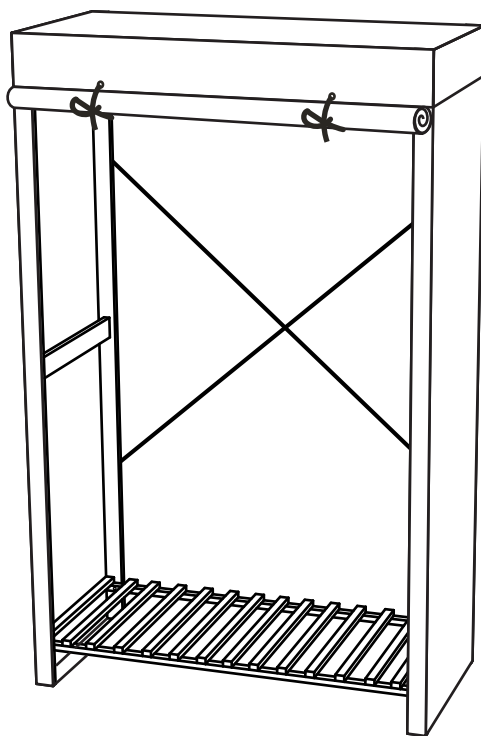


SINGLE POLYCOTTON AND WOOD WARDROBE

Easy Assembly Instruction



Before you start, here is some helpful advice

1. We suggest you spend a short time reading through this leaflet and then follow the simple step by step instructions.
2. If you follow the instructions carefully the end result should be worth the effort.
3. Do not discard any of the packaging until you have checked that you have all the parts and the pack of fitting.
4. Assemble this product on a carpet.
5. To ensure an easier assembly, we strongly advise that all fittings are only finger tightened during initial assembly. Only upon completion of the assembly should all fixing points be fully tightened.
6. We recommend a periodic check on all fixing points to make sure they remain fully tightened.
7. Keep glue and fitting out of children's reach.
8. We do not recommend the use of power drill/drivers for inserting screws, as this could damage the unit. Only use hand screwdrivers.



After-sales telephone number for spare parts :08456 400 800

Component parts and fittings contained in the box

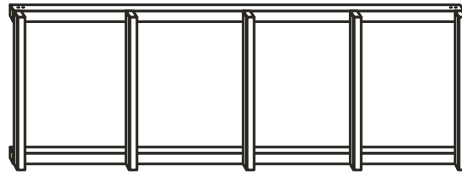
PARTS

PARTS&FIXINGS

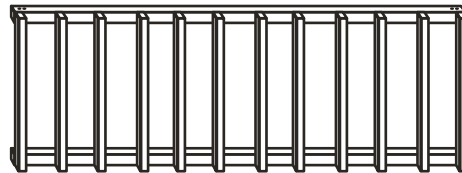
IMPORTANT: Please note that all wooden parts are identified with numbers corresponding to those shown in this instruction leaflet. Please also take note of the position of the holes on each part.



① QTY-4



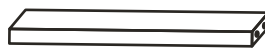
② QTY-1



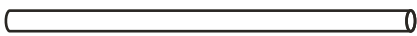
③ QTY-1



④ QTY-2



⑤ QTY-2



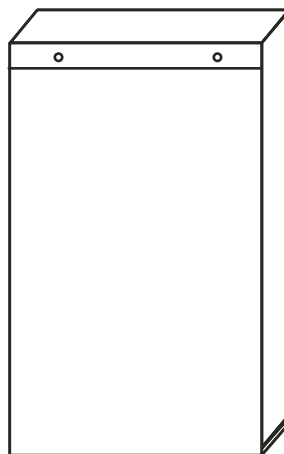
⑥ QTY-1



⑦ QTY-1



⑧ QTY-1



⑨ QTY-1

FITTINGS



⑩ QTY-32

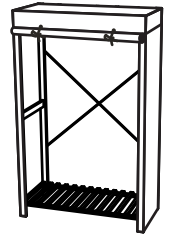


⑪ QTY-4



⑫ QTY-2

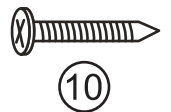
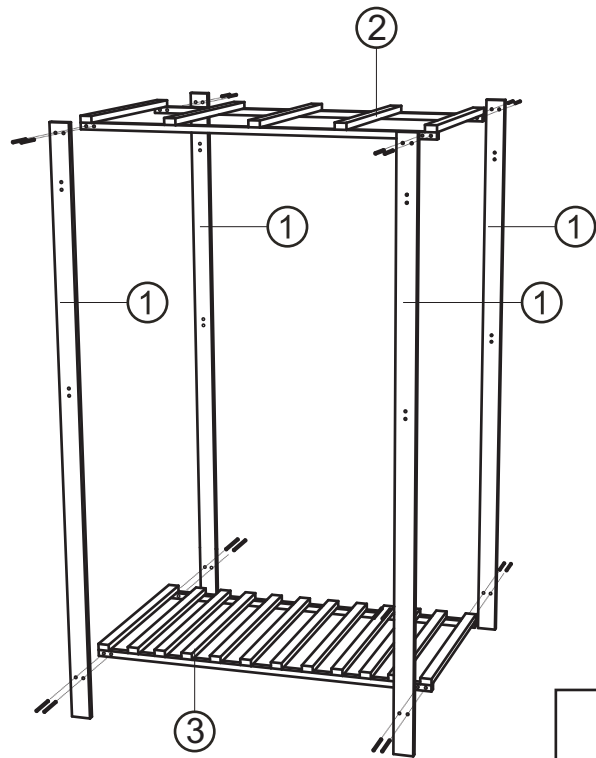
ASSEMBLY



STEP 1

Ensure you have correctly identified corner posts ① before beginning the next steps.

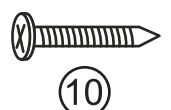
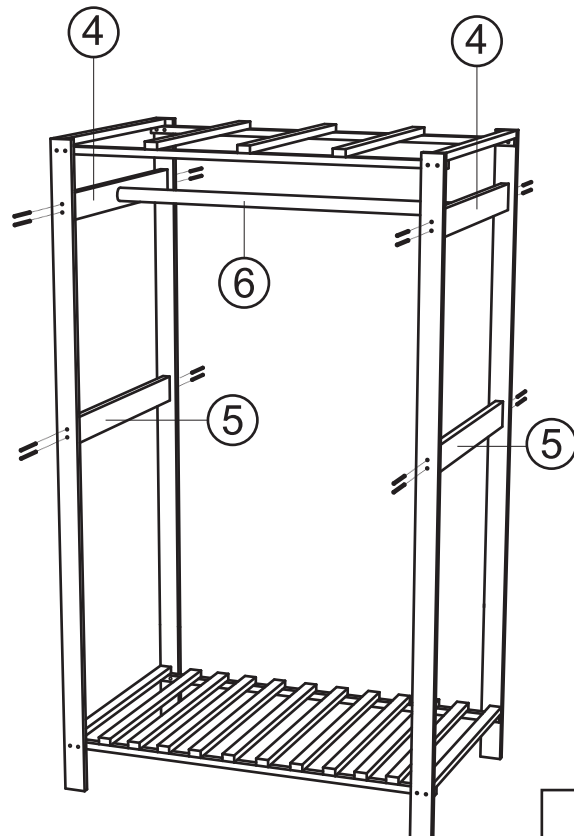
- 1) Secure top shelf ② and bottom shelf ③ between corner posts ① using fixings ⑩.



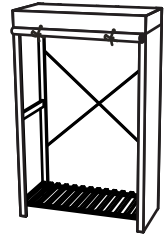
STEP 2

- 1) Fit side support ⑤ using fixings ⑩.

- 2) With hanging rail ⑥ in position. Fit hanging rail frames ④ using fixings ⑩.

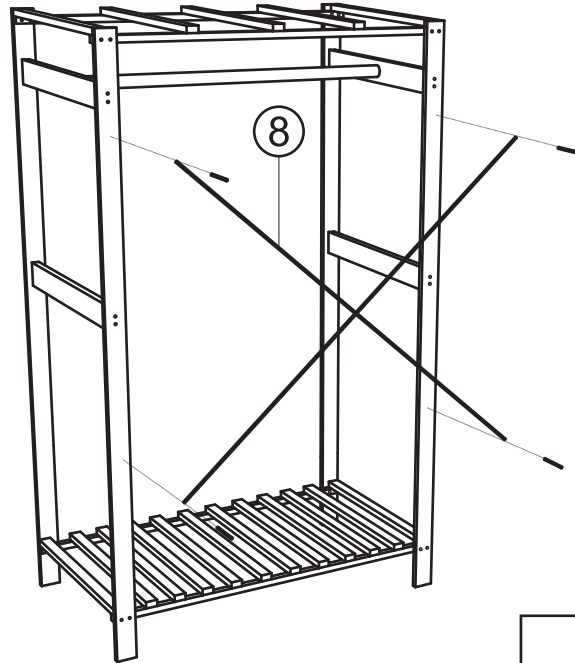


ASSEMBLY



- 1) Fit cross bar (8) using fixings (11) .

STEP3



- 1) Place cover (9) over the assembled frame .

STEP4

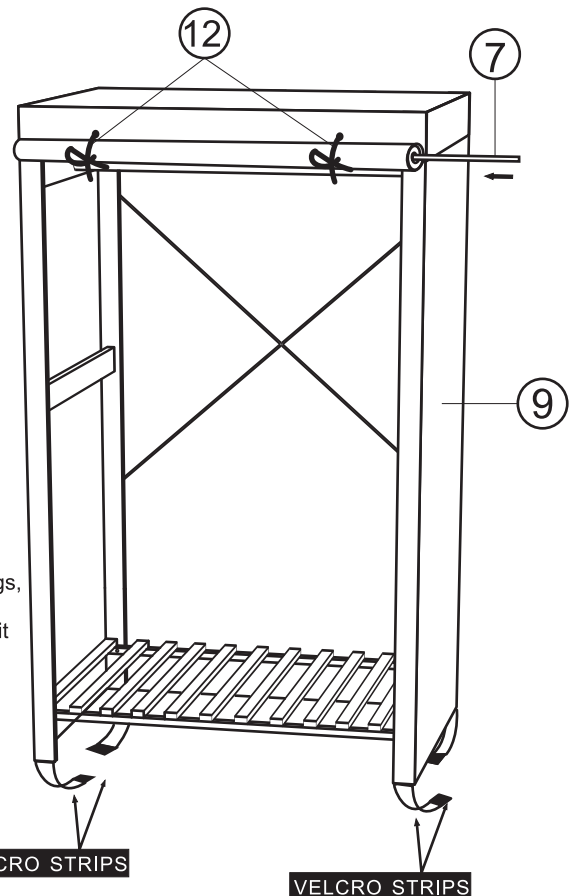
- 2) Slide cover pole (7) into the seam in the bottom of the front flap .

The door can be rolled up and secured using the ties (12) .

COVER CLEANING

Minor stains and spillages should be removed immediately using a damp cloth and mild soapy water. Do not soak the fabric or shrinkage may occur! Light marking can also be removed using this method.

To remove stubborn stains or markings, a good quality proprietary domestic fabric cleaner can be used, although it should first be tested on an inconspicuous area of cover.



Solid wood / Real wood veneers.

This product has been finished using natural materials . As a living material, you may notice some variation in the grain and colour shade between the different component parts.

Unlike a synthetic or man-made material which has a uniform finish, a feature of natural wood is its variation in grain and colour. We wish to reassure you that this is quite normal, and is not the result of any manufacturing fault.