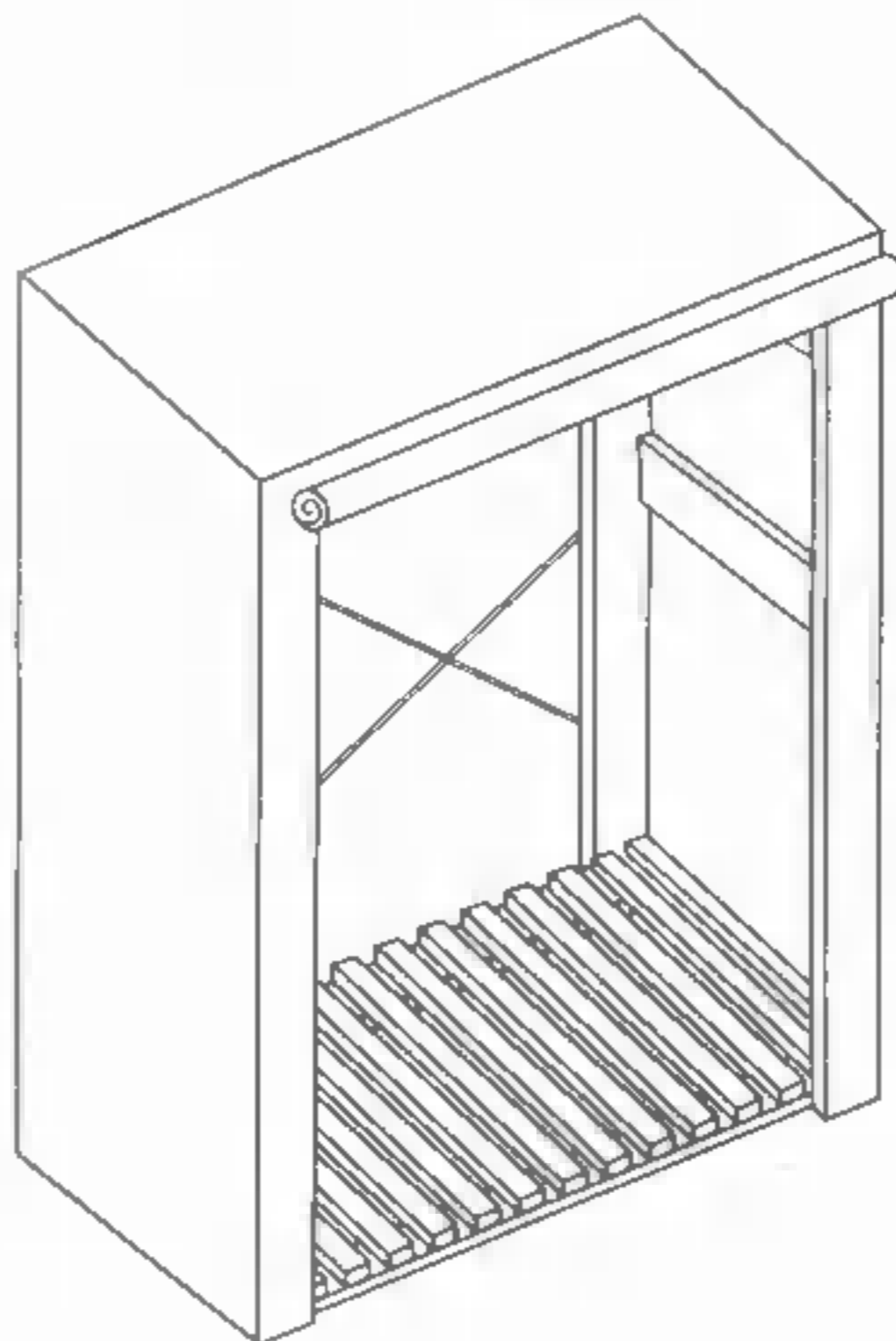


JUSTWISE GROUP LTD

SINGLE CANVAS WARDROBE

SSWARP

Assembly Instructions



Before you start, here is some helpful advice

1. We suggest you spend a short time reading through this leaflet and then follow the simple step by step instructions.
2. If you follow the instructions carefully the end result should be worth the effort.
3. Do not discard any of the packaging until you have checked that you have all the parts and the pack of fittings.
4. Assemble this product on a carpet.
5. To ensure an easier assembly, we strongly advise that all fittings are only finger tightened during initial assembly. Only upon completion of the assembly should all fixing points be fully tightened.
6. We recommend a periodic check on all fixing points to make sure they remain fully tightened.
7. Keep glue and fittings out of children's reach.

In the unlikely event that this product has missing or Damaged parts, please call 01799 513466 to obtain spares.

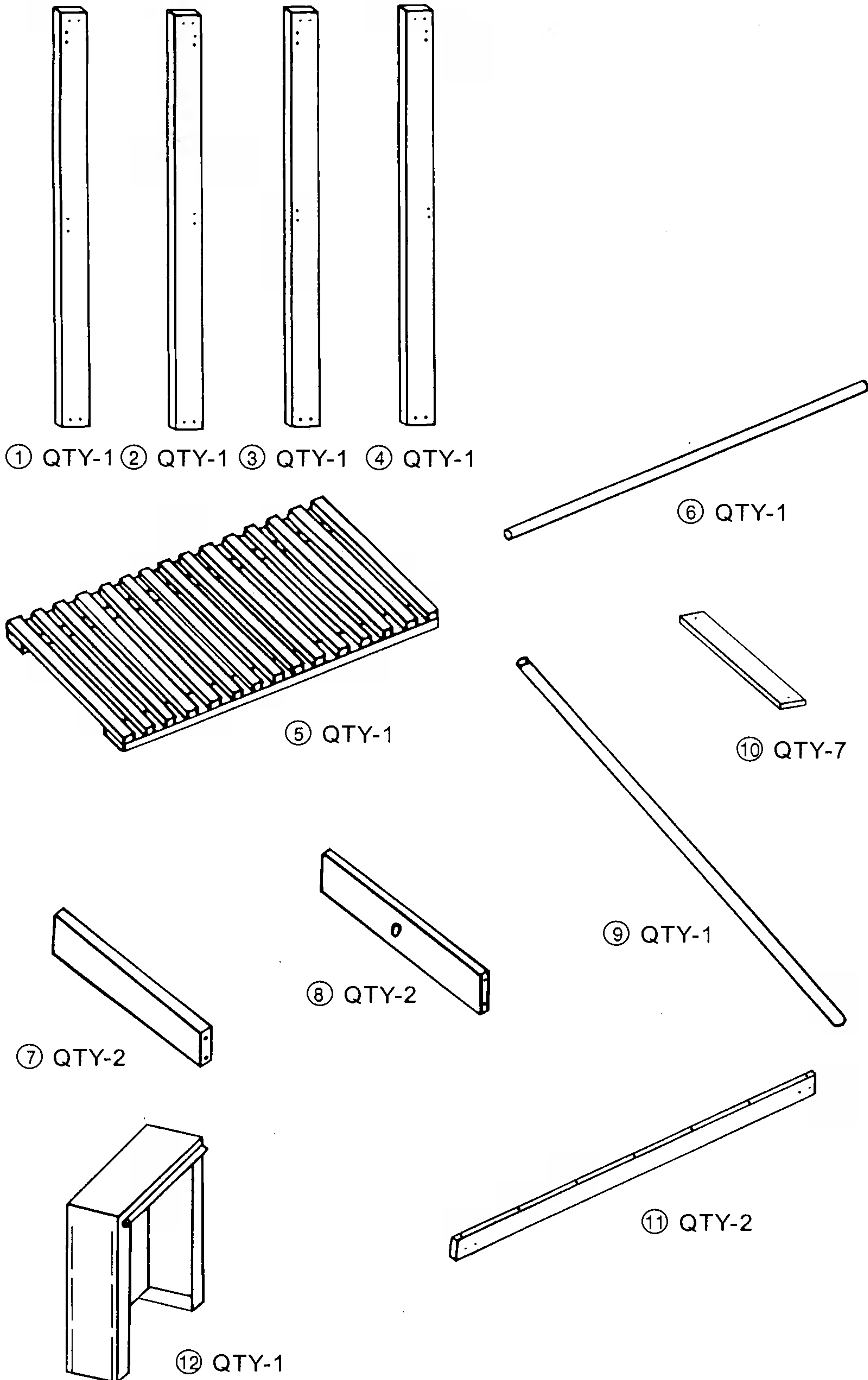
Component parts and fittings contained in the box

PARTS

FITTINGS

PARTS & FIXINGS

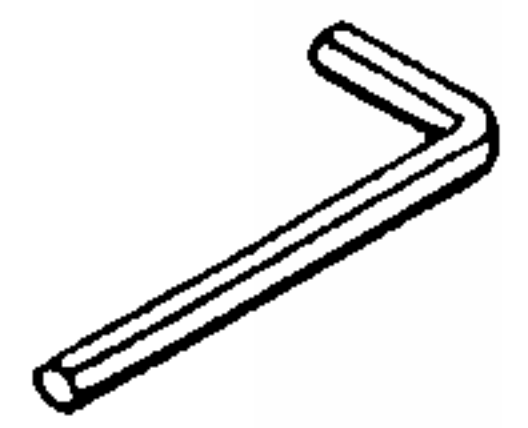
IMPORTANT: Please note that all wooden parts are identified with numbers corresponding to those shown in this instruction leaflet. Please also take note of the position of the holes on each part.



Ⓐ QTY-1



Ⓑ QTY-32



Ⓒ QTY-1



Long

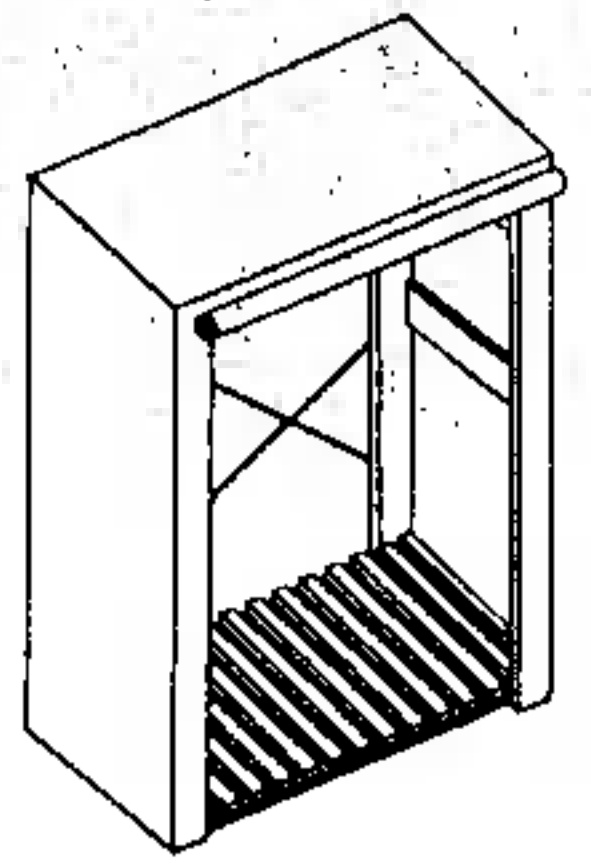
Ⓓ QTY-14



short

Ⓔ QTY-4

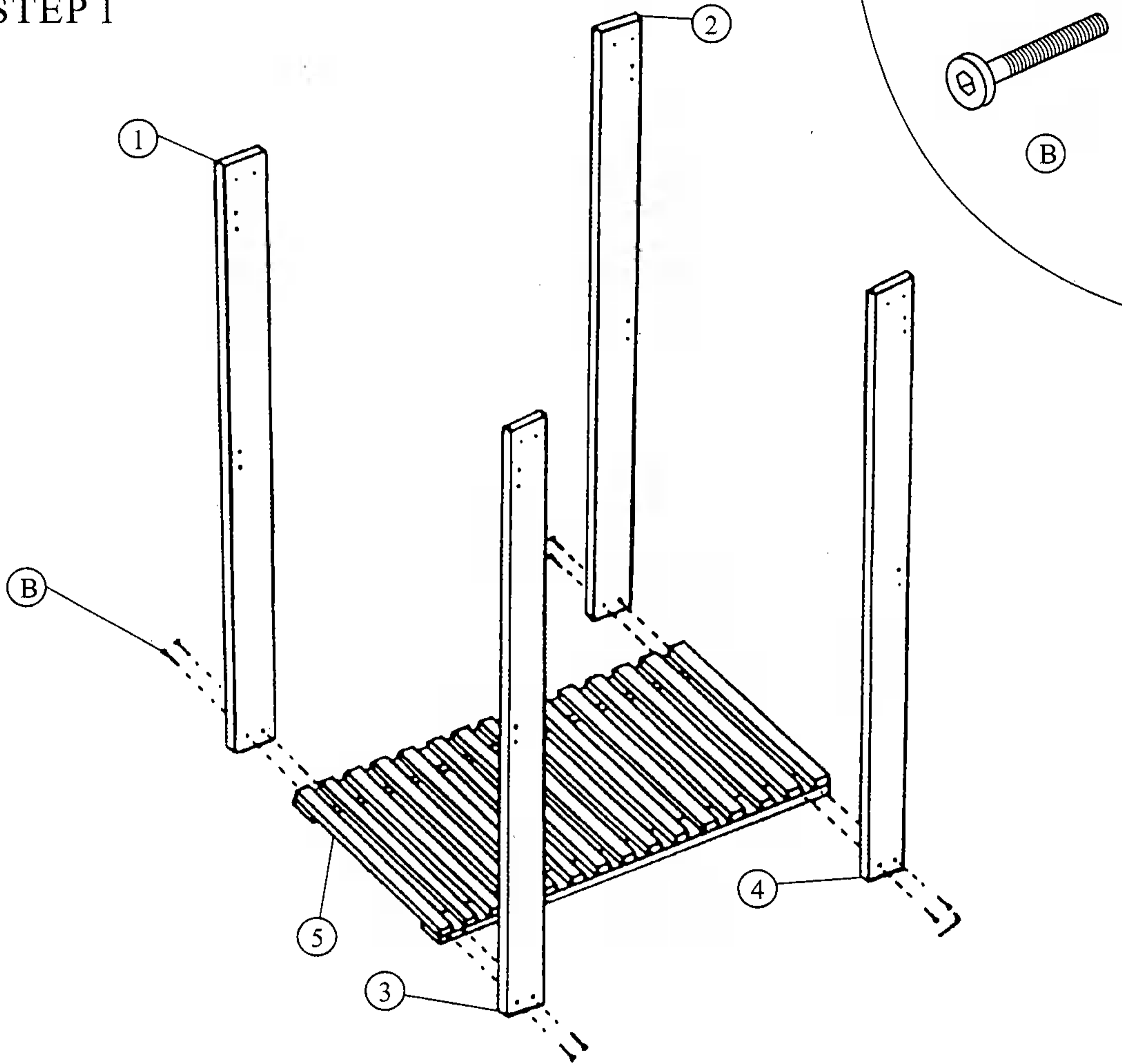
ASSEMBLY



STEP 1

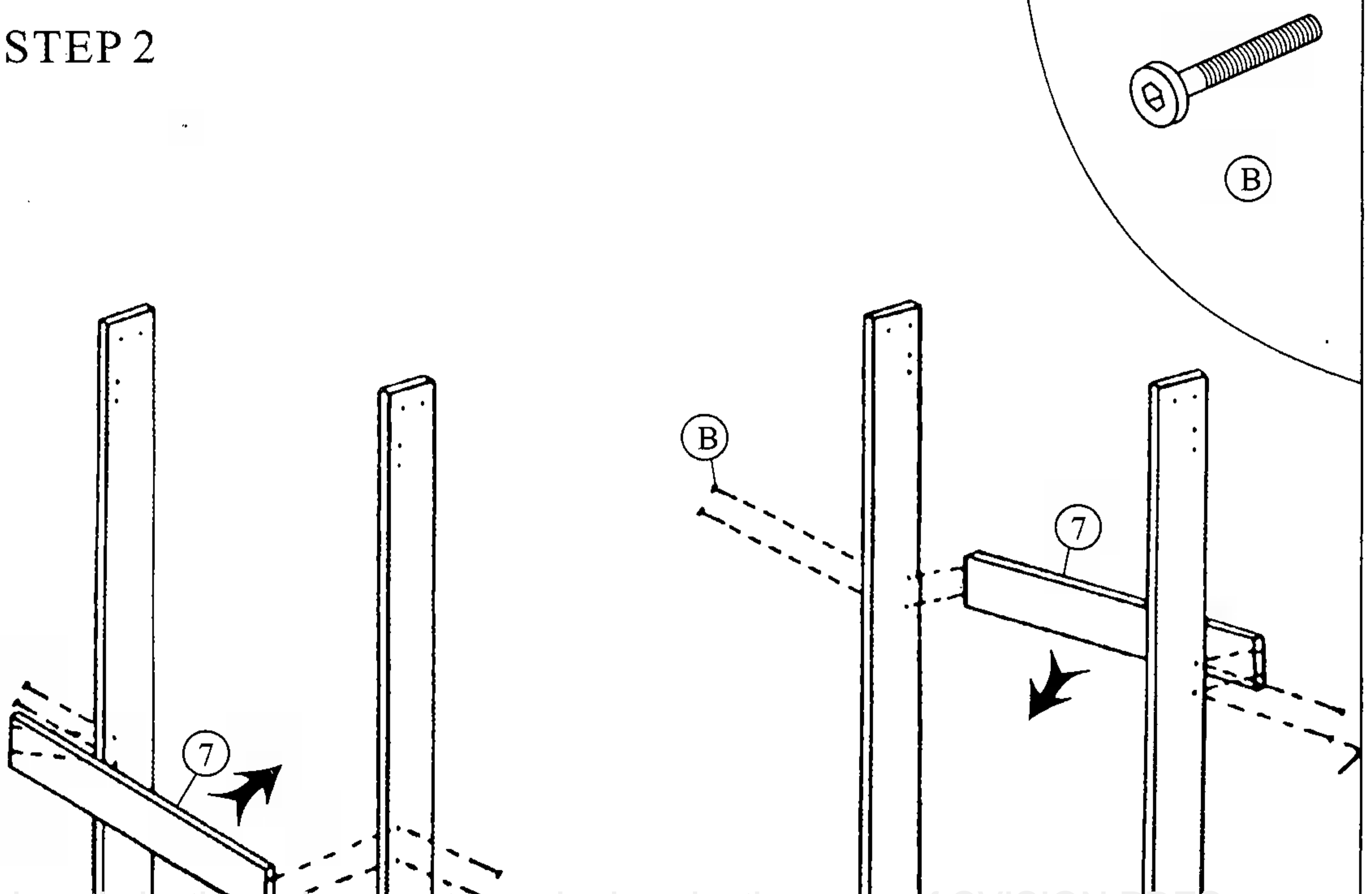
Ensure you have correctly identified corner posts ①, ②, ③ and ④ before beginning the next steps.

- 1) Secure bottom shelf ⑤ in between corner posts ①, ②, ③, and ④ using fixings ⑥.

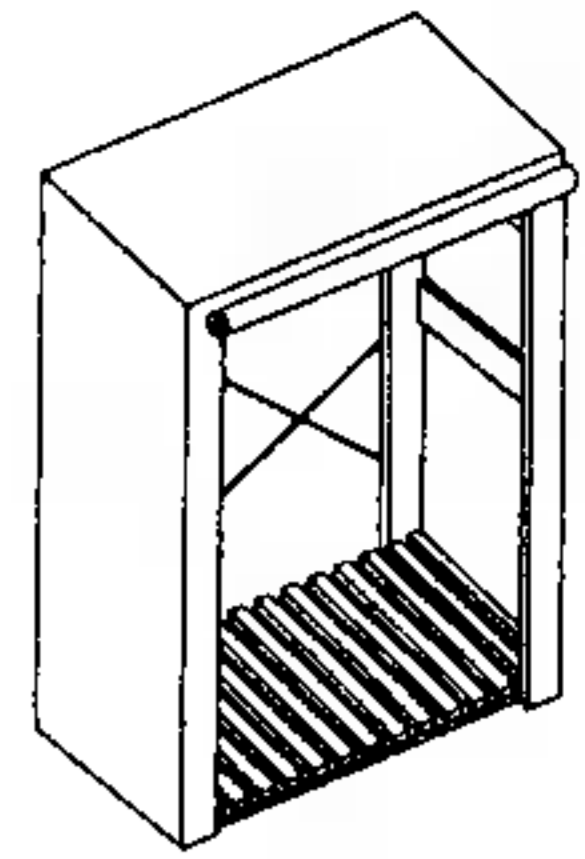


STEP 2

- 1) Fit side supports ⑦ using fixings ⑥.



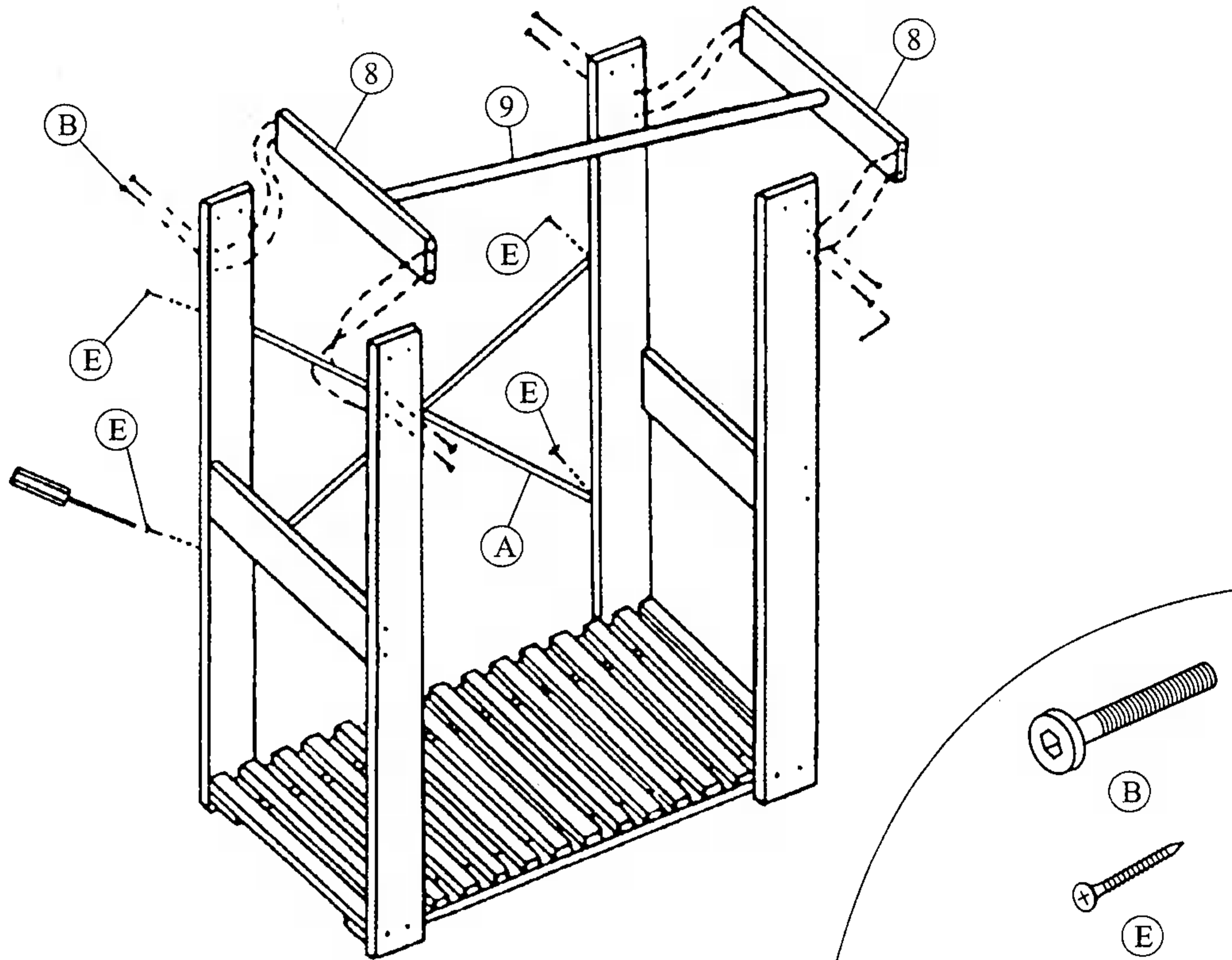
ASSEMBLY



STEP 3

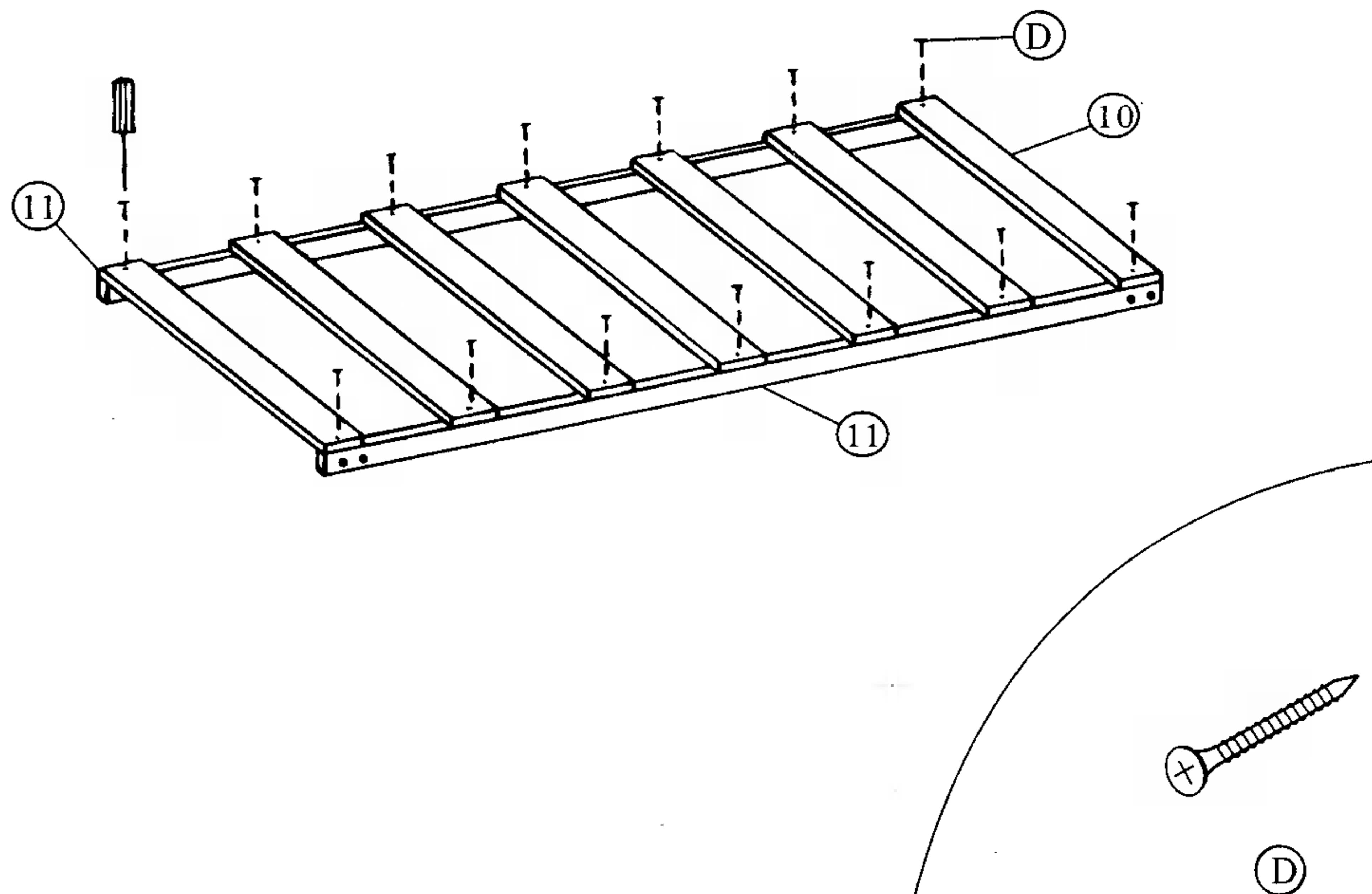
1) With hanging rail (9) in position, Fit hanging rail frames (8) using fixings (B).

2) Fit cross bar (A) using fixings (E).

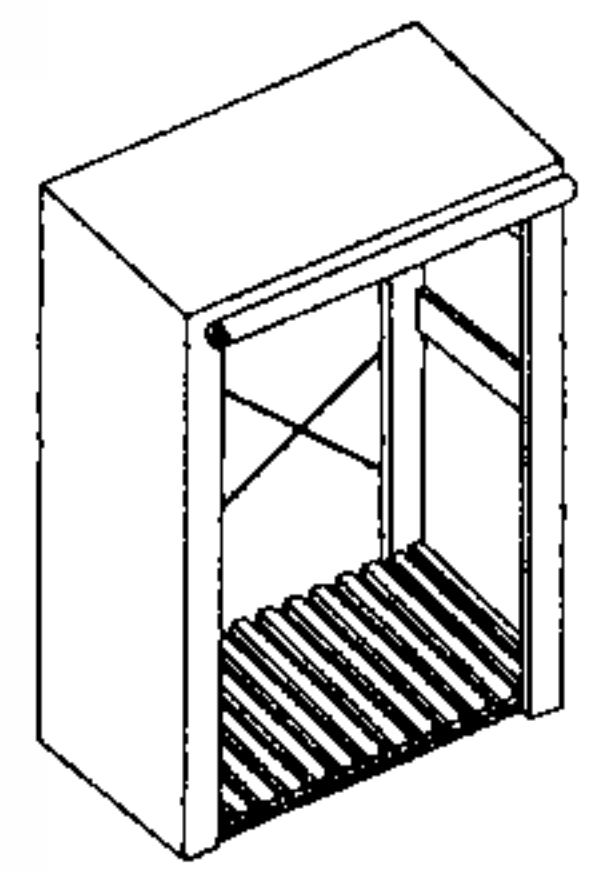


STEP 4

1) Assemble top frame slats (10) to supports (11) using fixings (D).

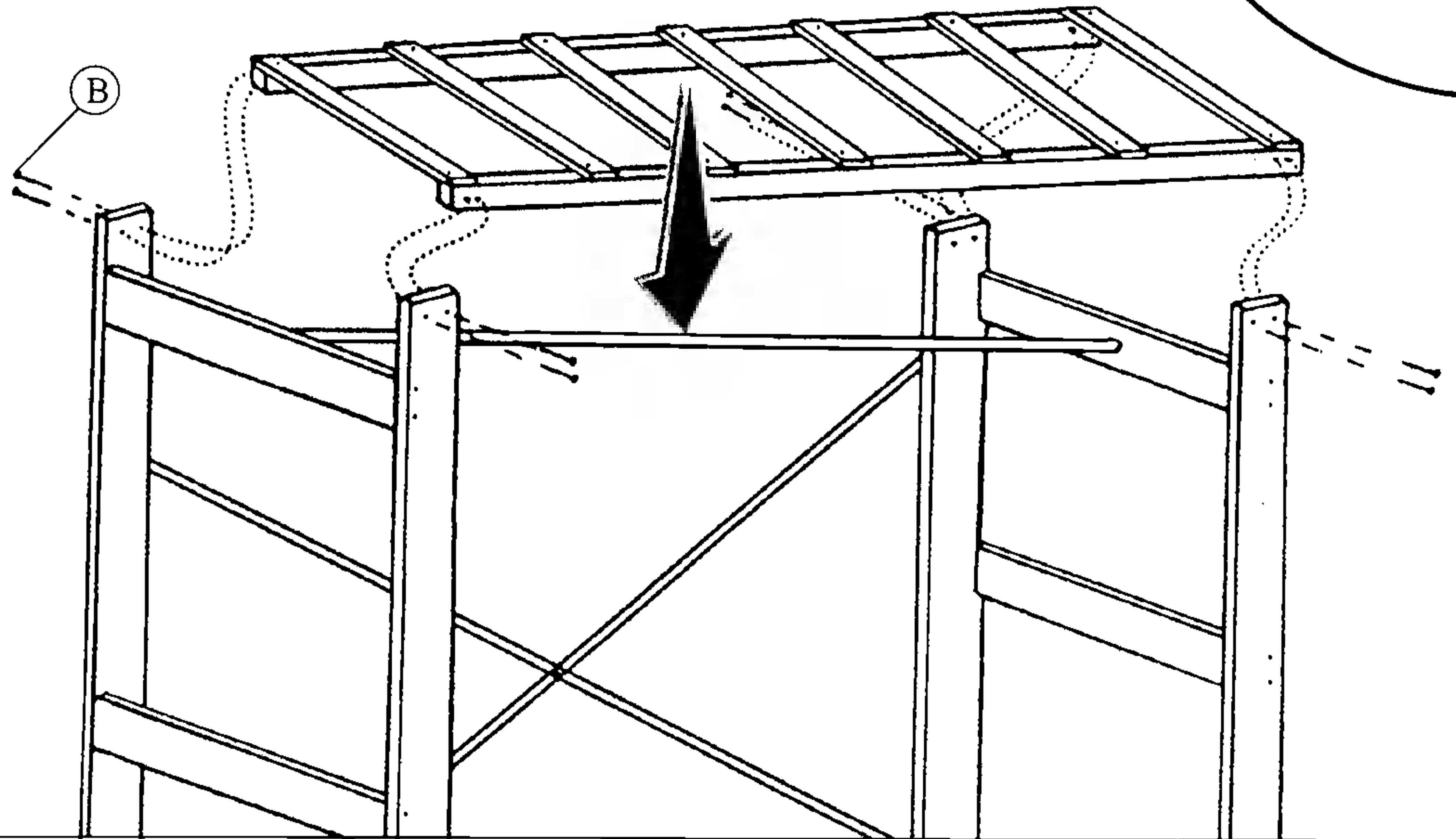


ASSEMBLY



STEP 5

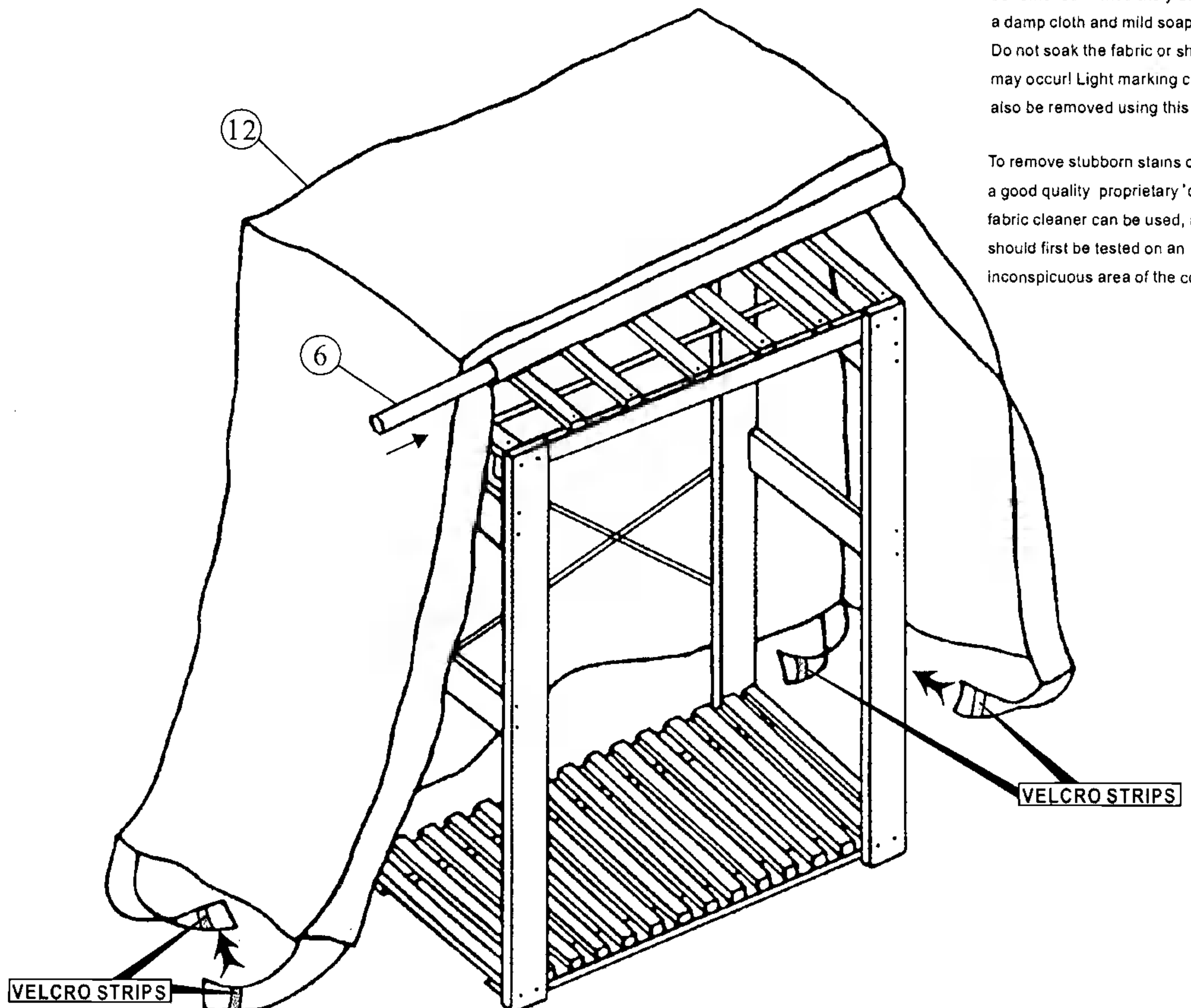
1) Assemble top frame in position and secure using fixings (B)



STEP 6

1) Place cover (12) over the assembled frame.

2) Slide cover pole (6) into the seam in the bottom of the front flap



COVER CLEANING

Minor stains and spillages should be removed immediately using a damp cloth and mild soapy water. Do not soak the fabric or shrinkage may occur! Light marking can also be removed using this method.

To remove stubborn stains or markings, a good quality proprietary 'domestic' fabric cleaner can be used, although it should first be tested on an inconspicuous area of the cover.

Solid wood/Real wood veneers.

This product has been finished using natural materials. As a living material, you may notice some variation in the grain and colour shade between the different component parts.



Unlike a synthetic or man-made material which has a uniform finish, a feature of natural wood is its variation in grain and colour. We wish to reassure you that this is quite normal, and is not the result of any manufacturing fault.

Where sheets of veneer are joined together, a line may be detected. Again, this is normal, and is not an imperfection.

The natural finish should be cared for by the periodic application of a good quality 'wax' based domestic furniture polish (Not silicone!!). Occasional / small spills should be removed immediately using a damp cloth.

Do not allow hot articles to come into contact with the surface, as damage will occur!

Customer Support

We have taken great care to ensure this item arrives complete and in good condition. Please unpack each piece carefully and confirm that all parts listed are available.

In the unlikely event that any of the smaller parts are missing or damaged, then we undertake to replace them as soon as possible.

To secure missing or damaged parts, or to seek further assembly or product related advice, you can contact our customer services department by email at:

cs@justwise.com

Alternatively if you prefer to speak to our customer services staff, please telephone 01799 513466.

(Note: the company reserves the right to modify the design, construction, colour and price without prior notice.

Justwise Group Ltd
6 The Shires
Shirehill Industrial Estate
Saffron Walden
Essex
CB11 3AP

Email: cs@justwise.com

Tel: 01799 513466

Fax: 01799 525657