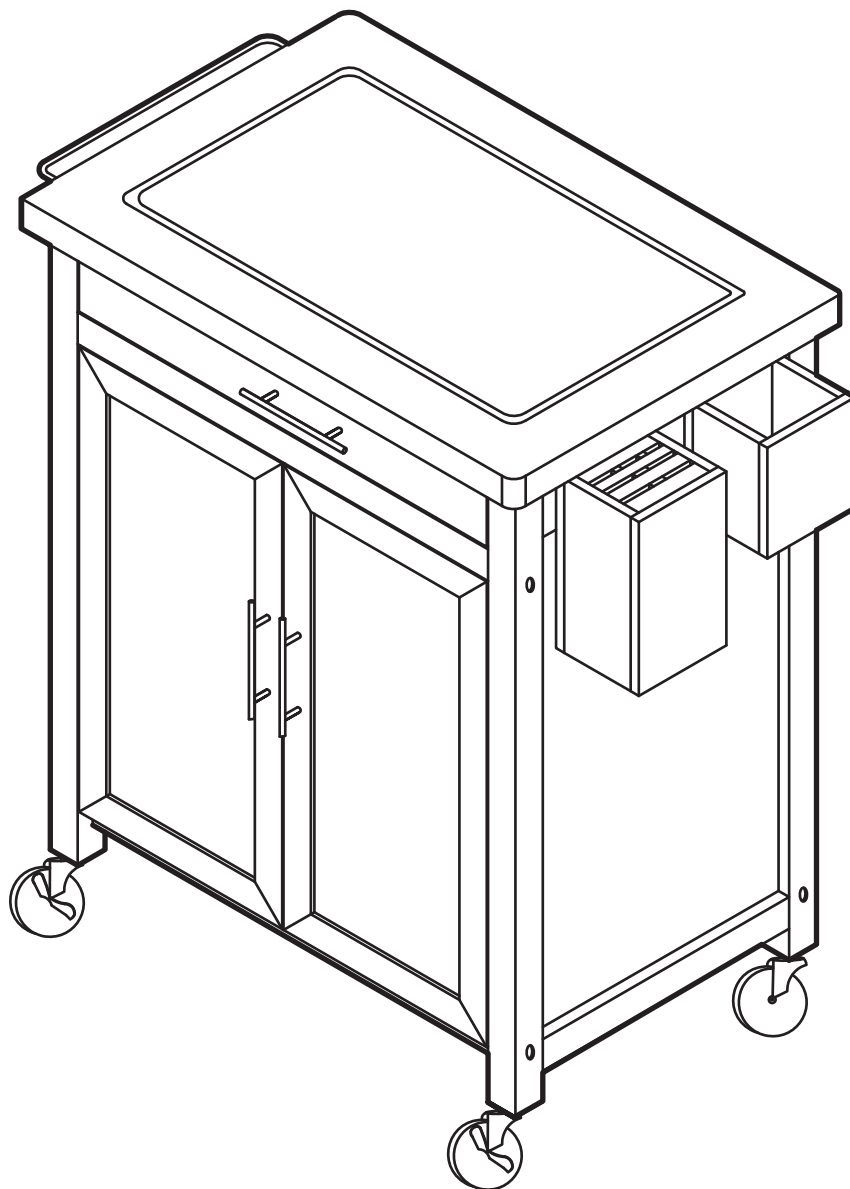



# Kitchen Trolley

HOME



## Spare Parts

 [www.argos-support.co.uk](http://www.argos-support.co.uk)

 [Help@ClickSpares.co.uk](mailto:Help@ClickSpares.co.uk)

 0370 112 1928

## Customer Support

 0345 640 2020



# Safety and Care Advice

---

## Product Details

White 783/0936

## IMPORTANT, RETAIN FOR FUTURE REFERENCE: READ CAREFULLY.

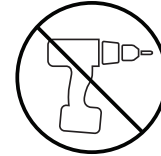
- Keep children and animals away from the work area, small parts could choke if swallowed.

- Make sure you have enough space to layout the parts before starting.

- This product has been constructed to be used in the domestic environment only and not for commercial purposes.

- Assemble the item as close to its final position (in the same room) as possible.

- Assemble on a soft level surface to avoid damaging the unit or your floor.



- We do not recommend the use of power drill/drivers for inserting screws as this could damage the unit. Only use hand screwdrivers.

- Parts of the assembly will be easier with 2 people.

- Dispose of all packaging carefully and responsibly.

## Care and maintenance

---

- Only clean using a damp cloth and mild detergent. Do not use abrasive cleaners.

- Use a dry cloth to clean the product, furniture polish is not recommended.

- From time to time check that there are no loose screws, nuts or bolts. If there are please re-tighten.

- This product should not be discarded with household waste. Take to your local authority waste disposal centre.

## Additional Guidance

---

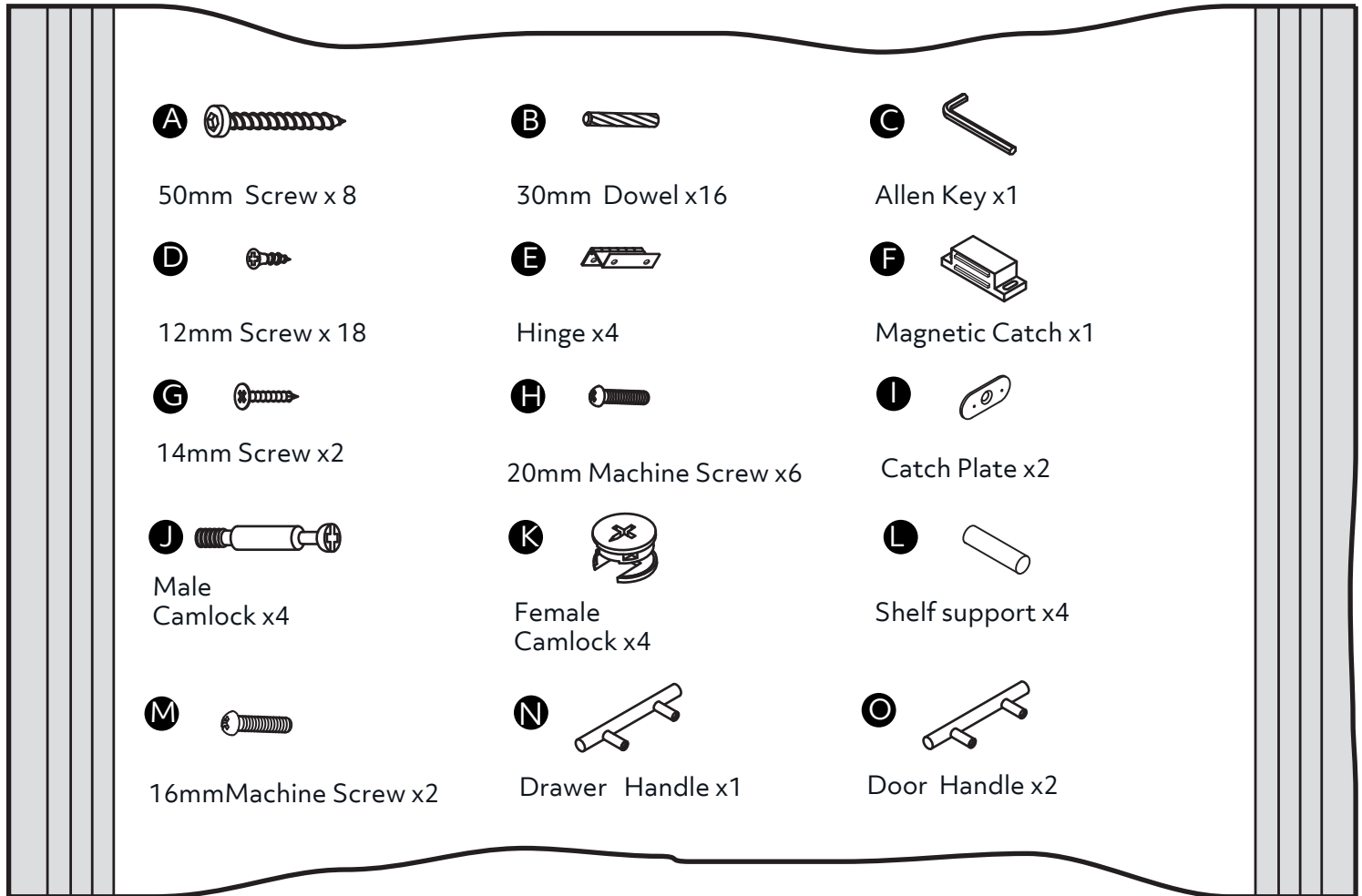
- Assemble all parts and bolts loosely during assembly, only once the product is complete should you fully tighten the bolts.

- Regularly check and ensure that all bolts and fittings are tightend properly.

# Fittings (Shown to scale)

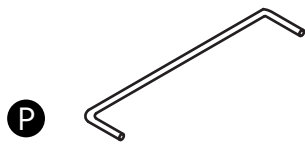
---

## Bag 1



## Hardware

---



Towel Rail x1



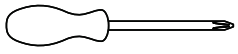
Caster x2



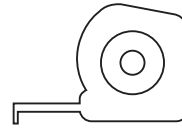
Locking Caster x2

# Tools required

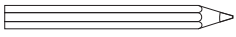
---



Phillips screwdriver  
(small & medium)



Ruler/tape  
measure

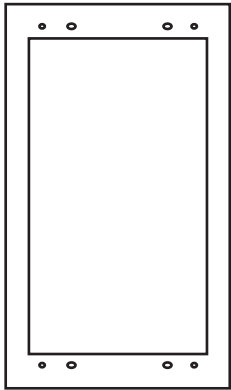


Pencil

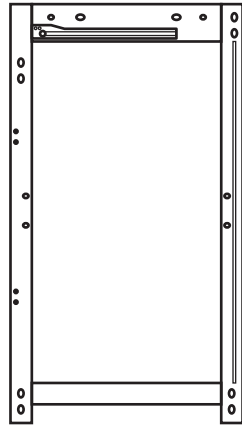


Spirit Level

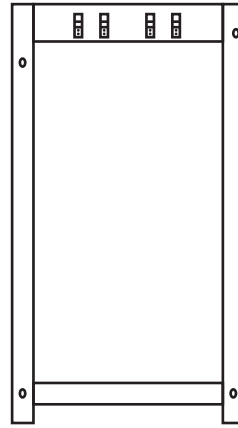
# Panels



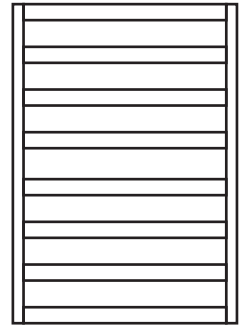
**01** Top x1  
(720 x 480mm)



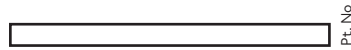
**02** Side Frame x1  
(785 x 435 mm)



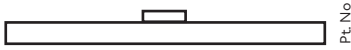
**03** Side Frame x1  
(785 x 435mm)



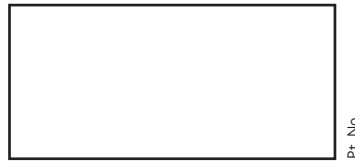
**04** Bottom Grid Panel  
(600 x 435mm)



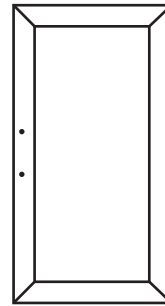
**05** Bar x1  
(40 x 603mm)



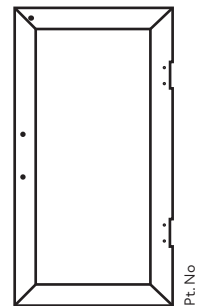
**06** Bar with plug  
(40 x 603mm)



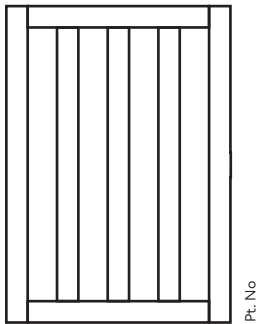
**07** Rectangle Panel x2  
(681 x 291 mm)



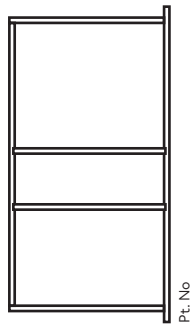
**08** Right Door x1  
(546 x 298 mm)



**09** Left Door x1  
(546 x 298 mm)



**10** Internal Shelf x1  
(600 x 400 mm)



**11** Drawer x1  
(596 x 315 mm)



**12** Side Storage  
with Division x1

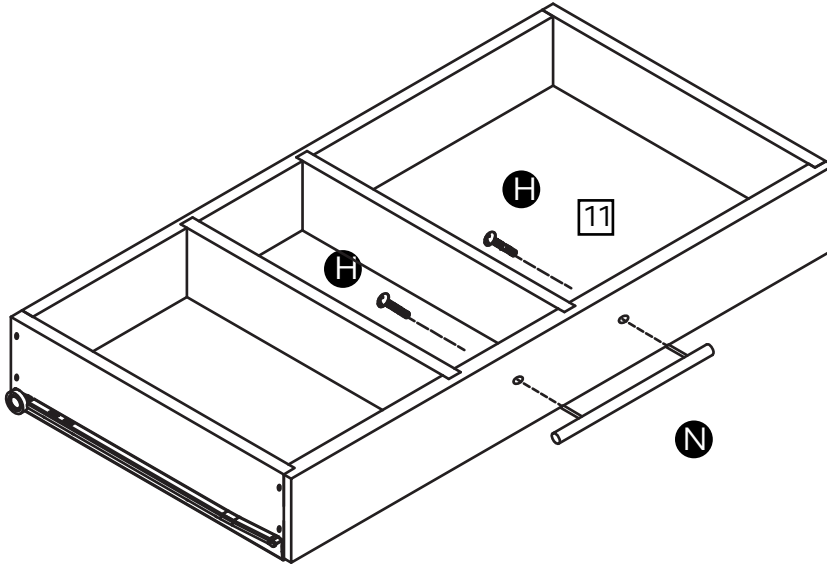
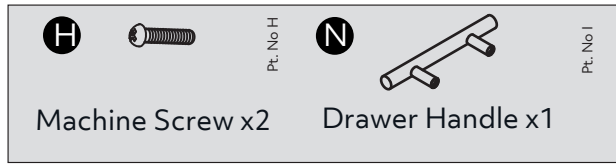
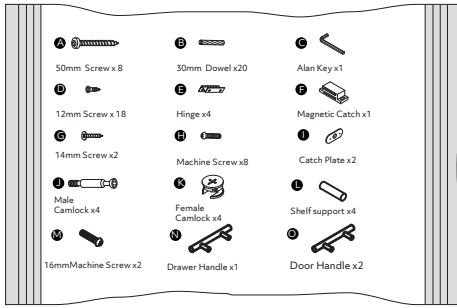


**13** Side Box Storage x1

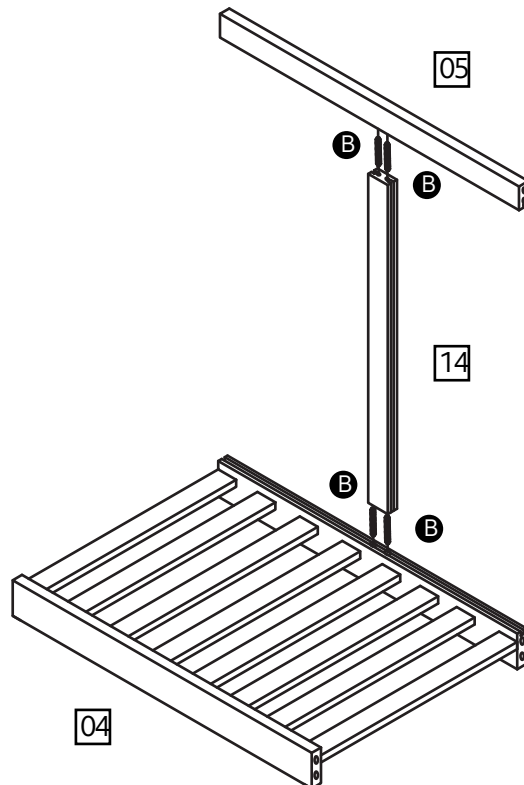
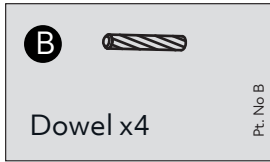


**14** Rail x1  
(675 x 36 mm)

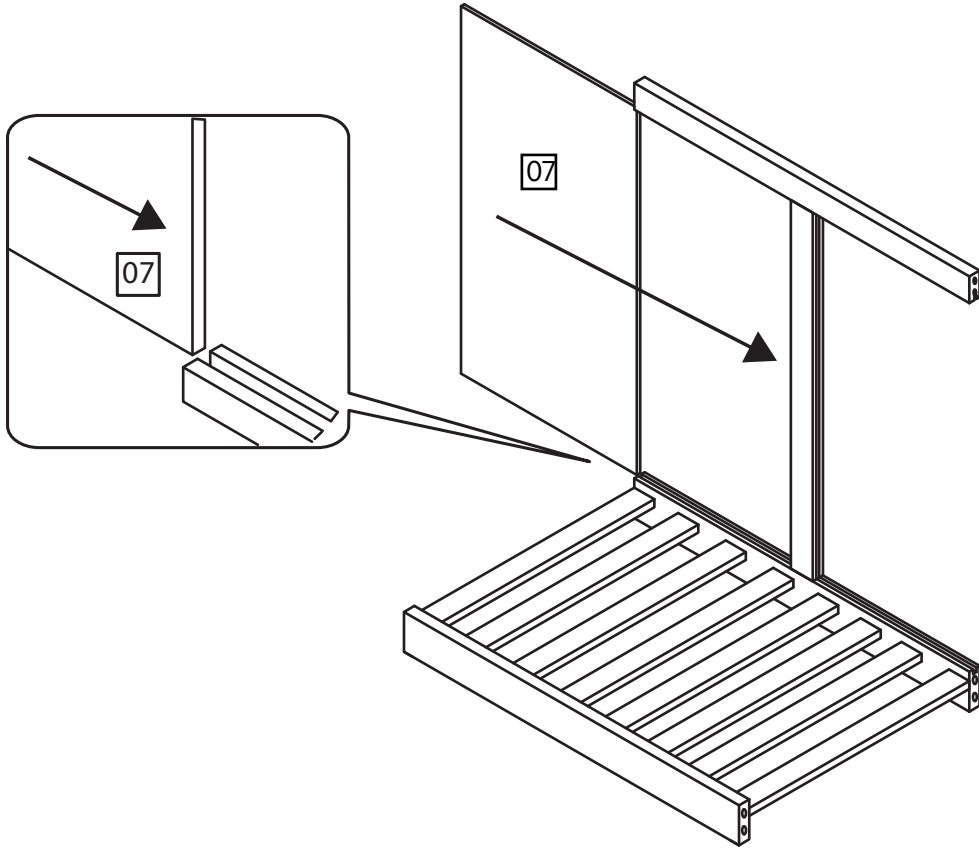
# 1



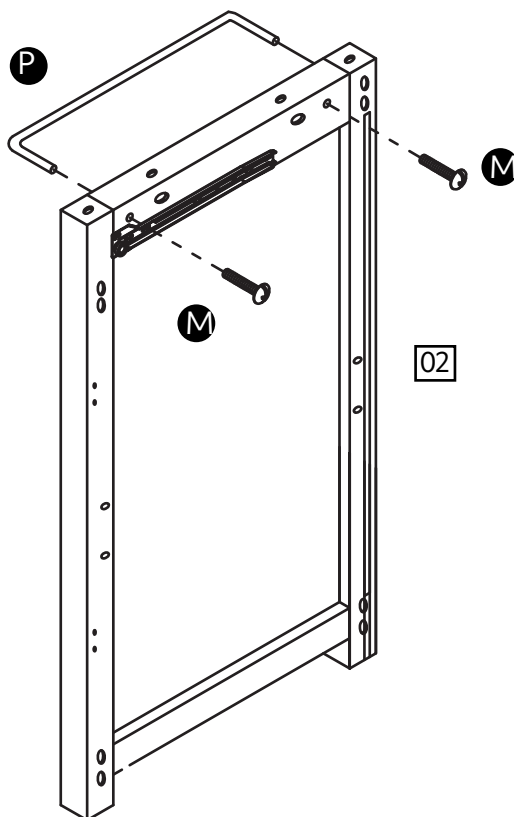
# 2





# 3

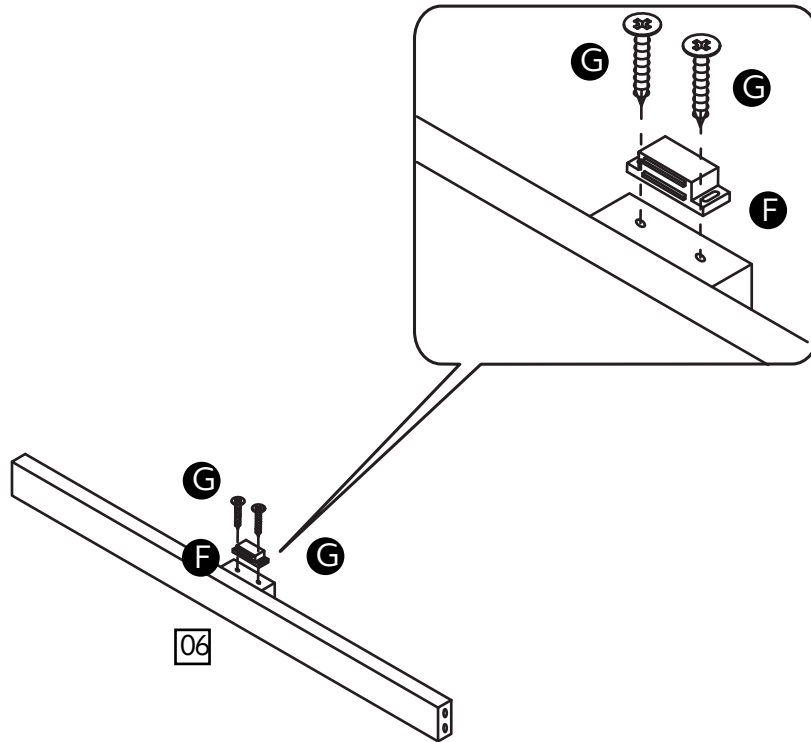


# 4



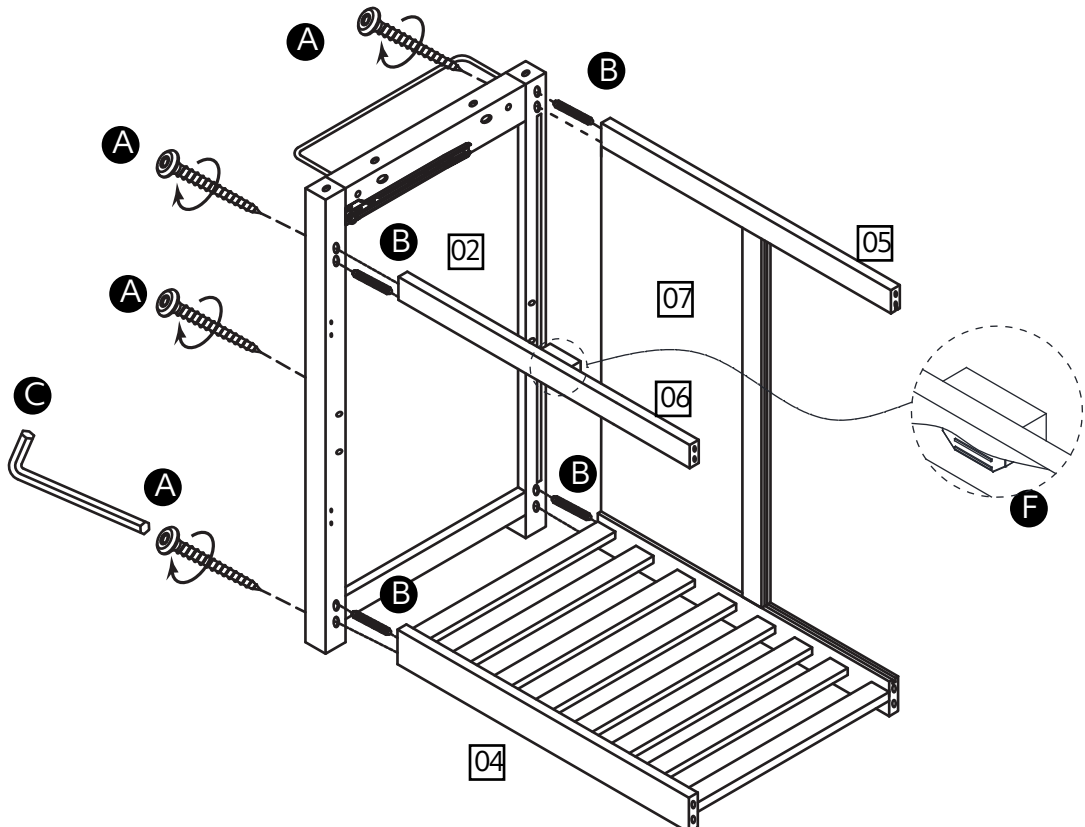
# 5

<b>F</b> 	Pt. No F	<b>G</b> 	Pt. No G
Magnetic Catch x1		14mm Screw X2	



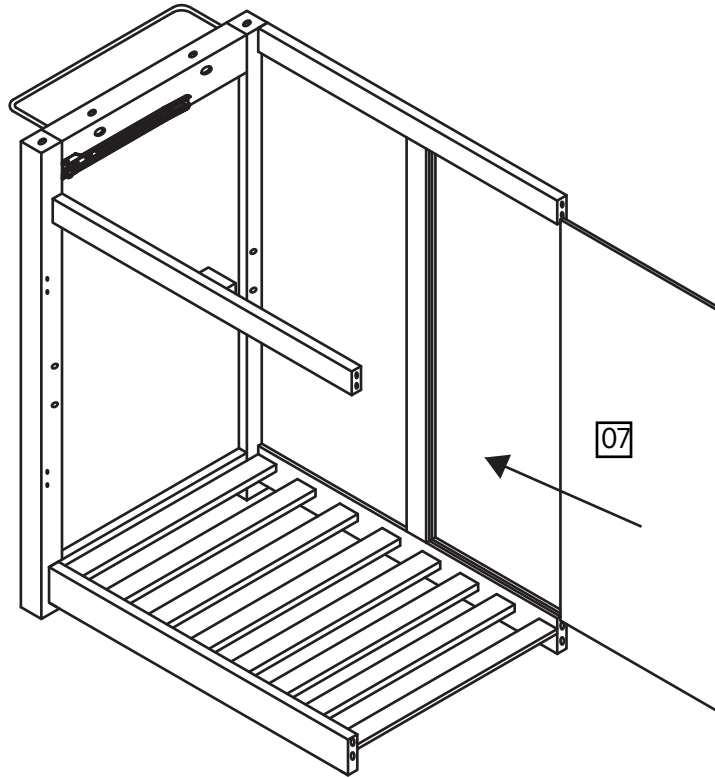
# 6

<b>A</b> 	<b>B</b> 	<b>C</b> 	Pt. No C
50mm Screw x4 Pt. No A	Dowel x4 Pt. No B	Allen Key x1	






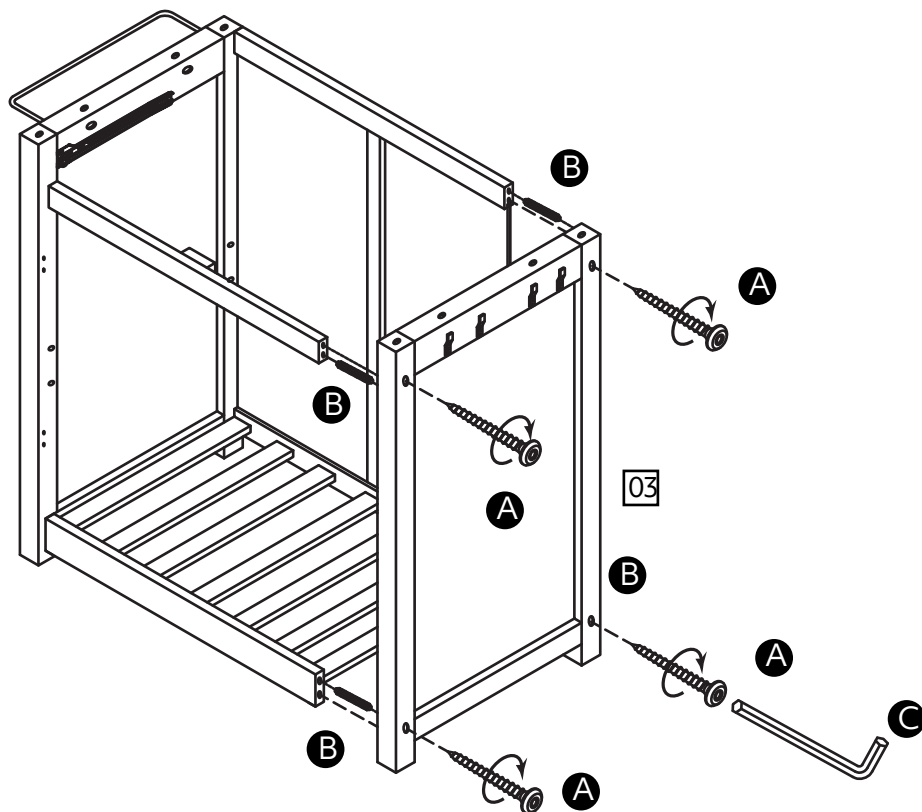


# 7

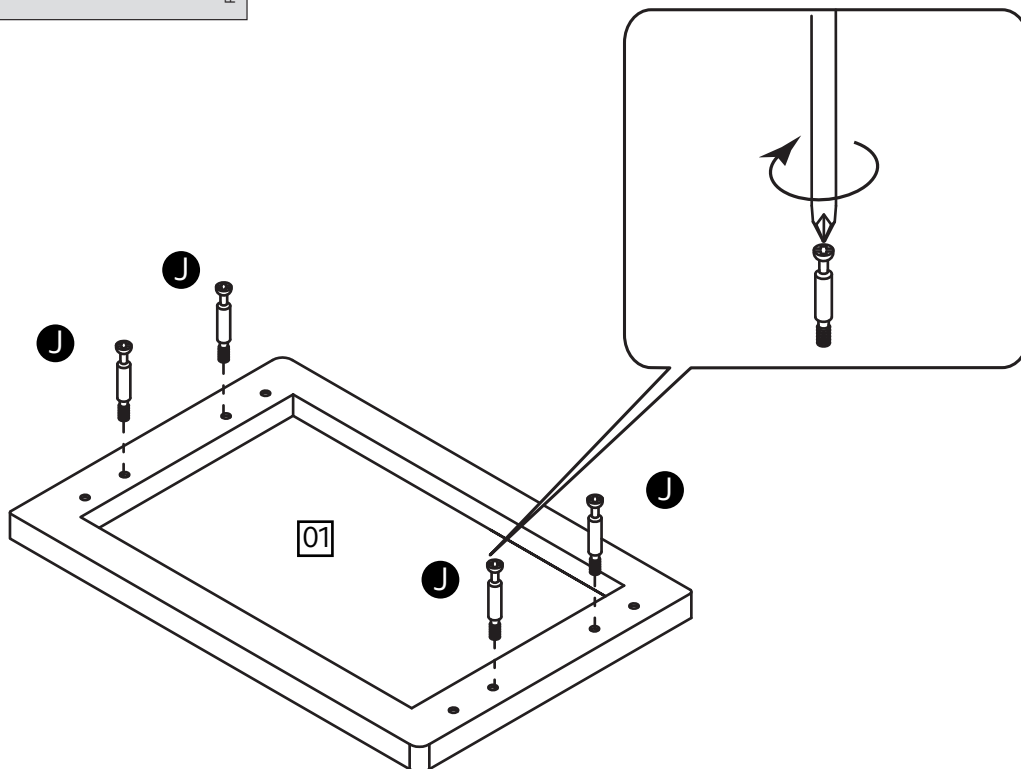
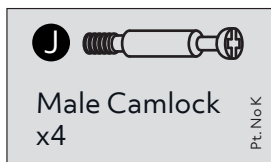


# 8

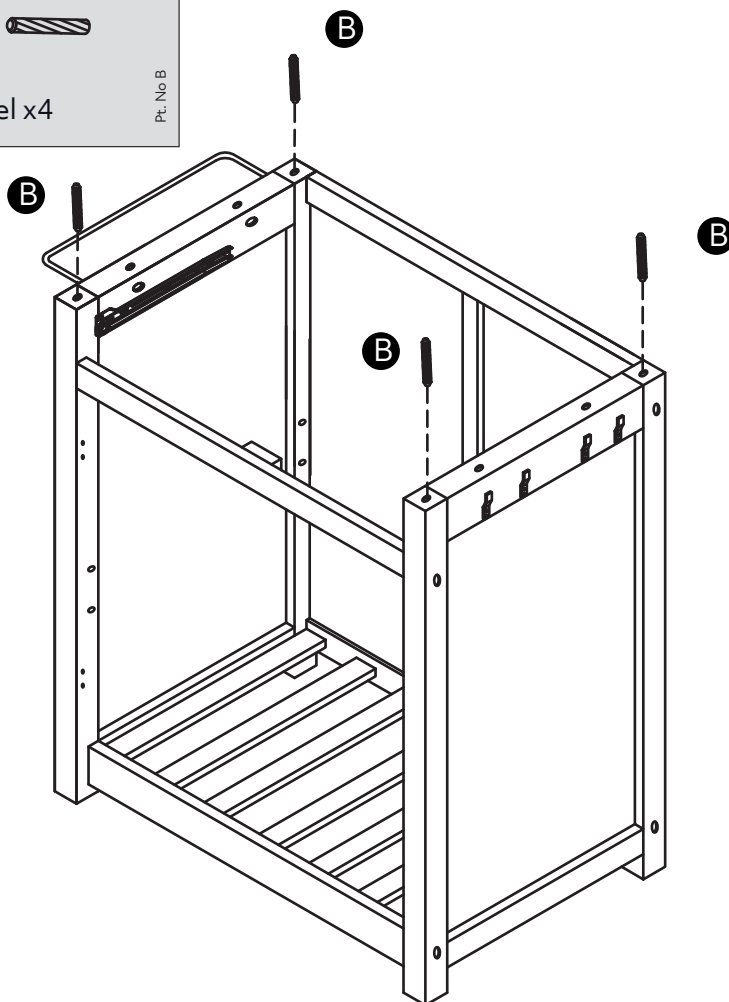
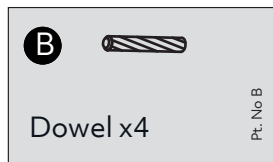
<b>A</b> 	<b>B</b> 	<b>C</b> 
50mm Screw x4 Pt. No A	Dowel x4 Pt. No B	Allen Key x1 Pt. No C



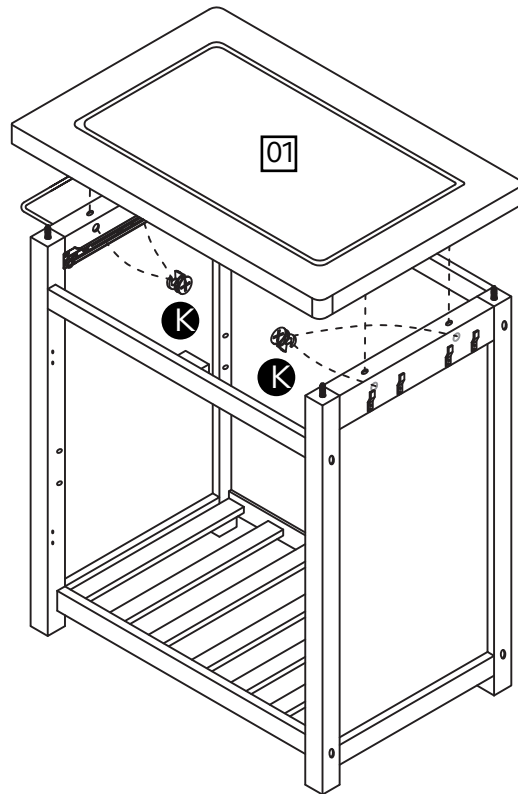
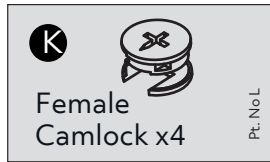
# 9



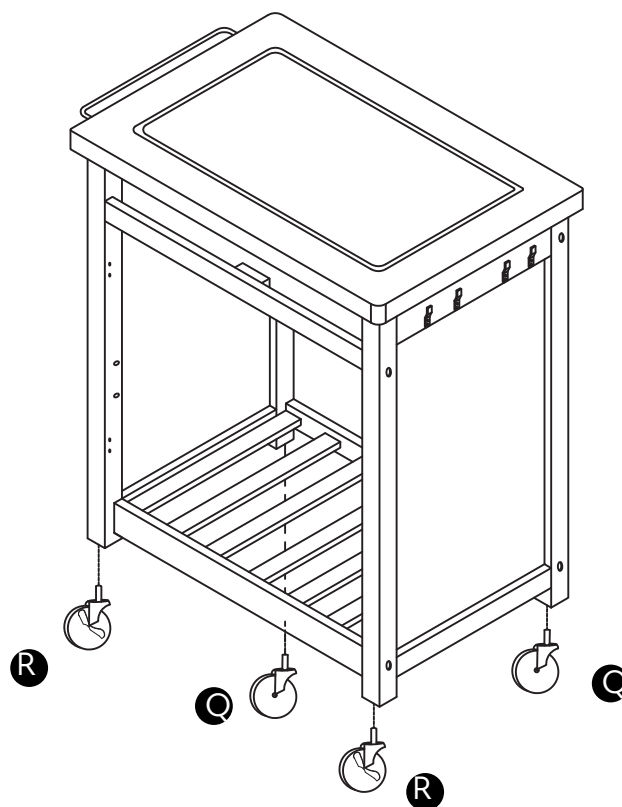
# 10



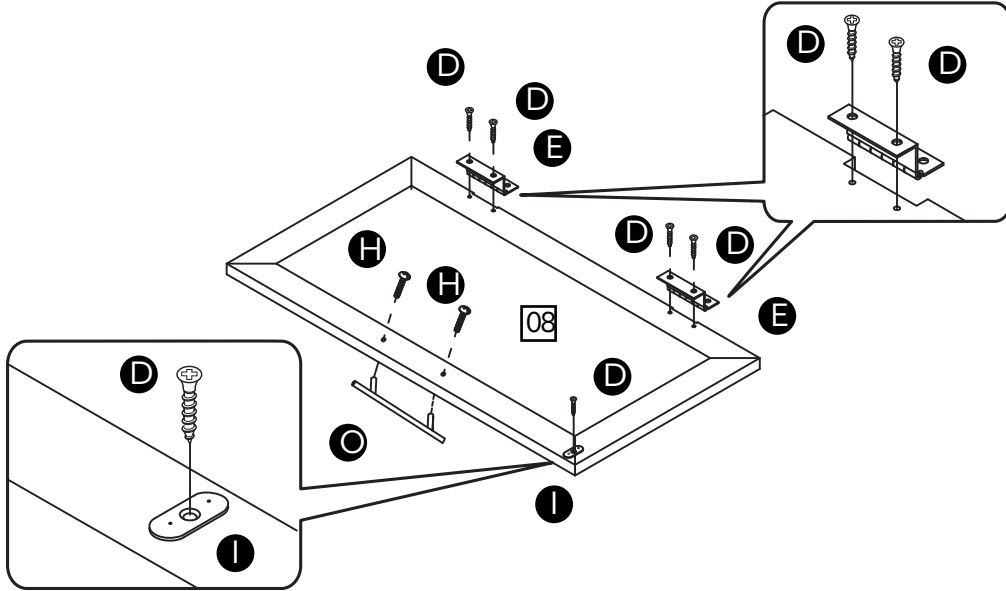
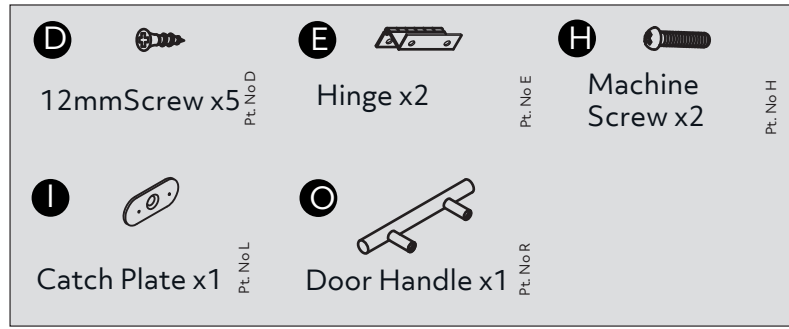
# 11



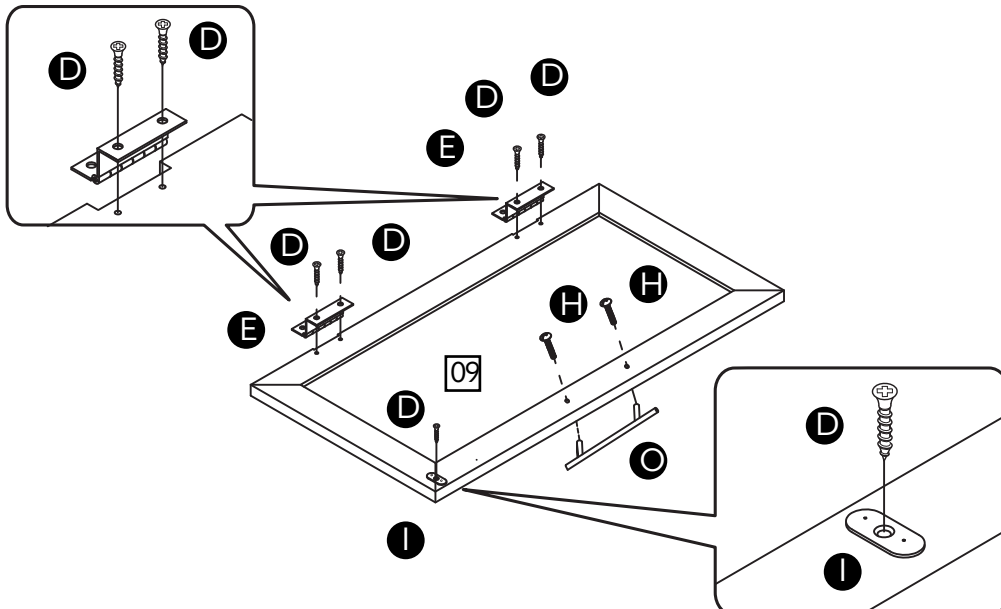
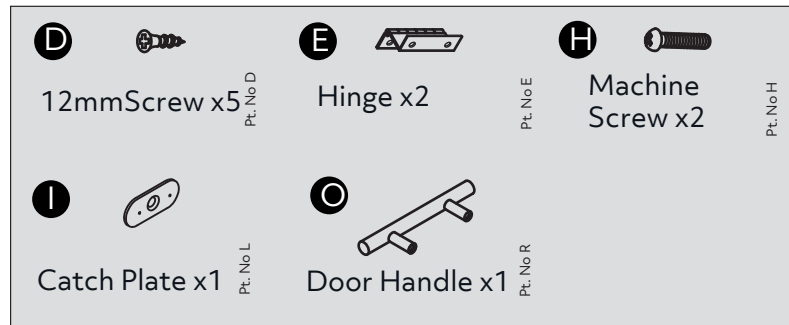
# 12




# 13

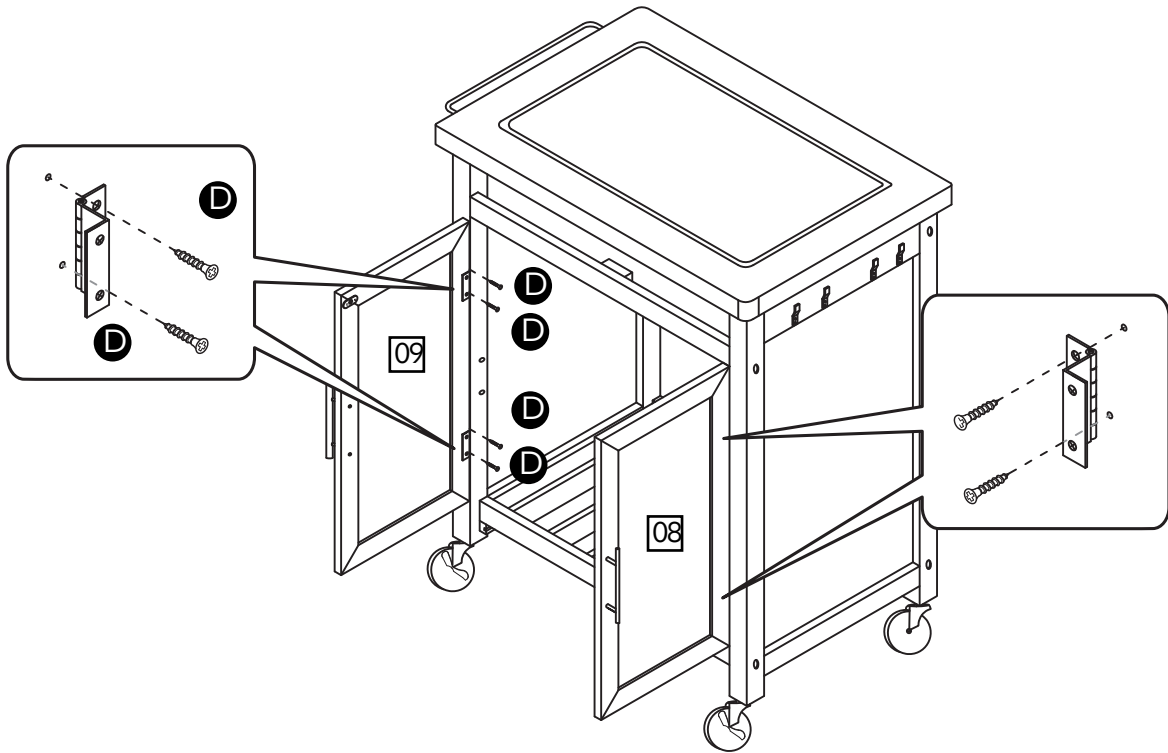


# 14




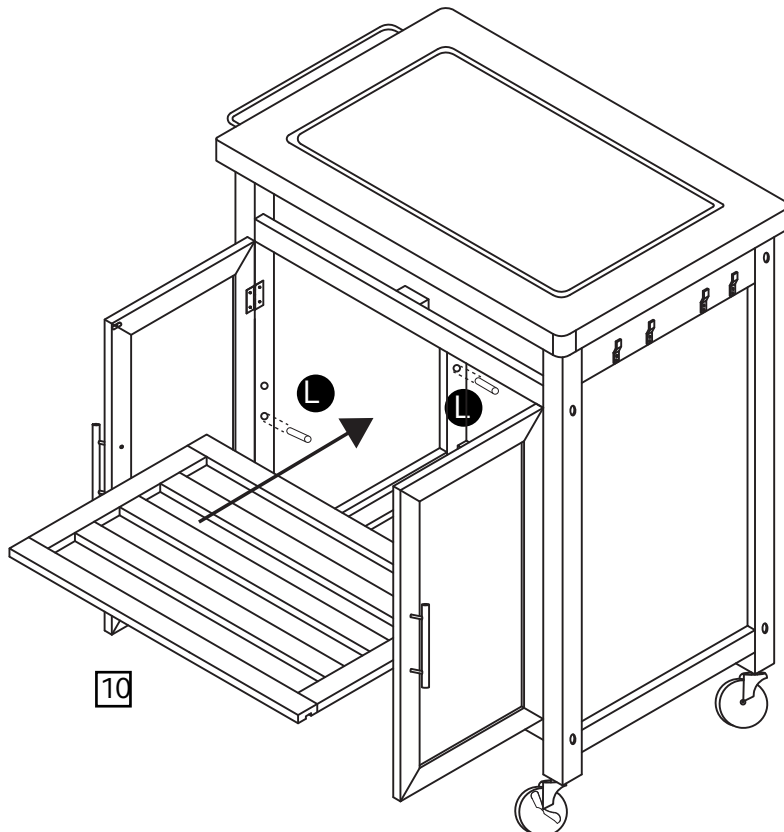
# 15

**D**   
12mmScrew  
x8  
Pt. No D

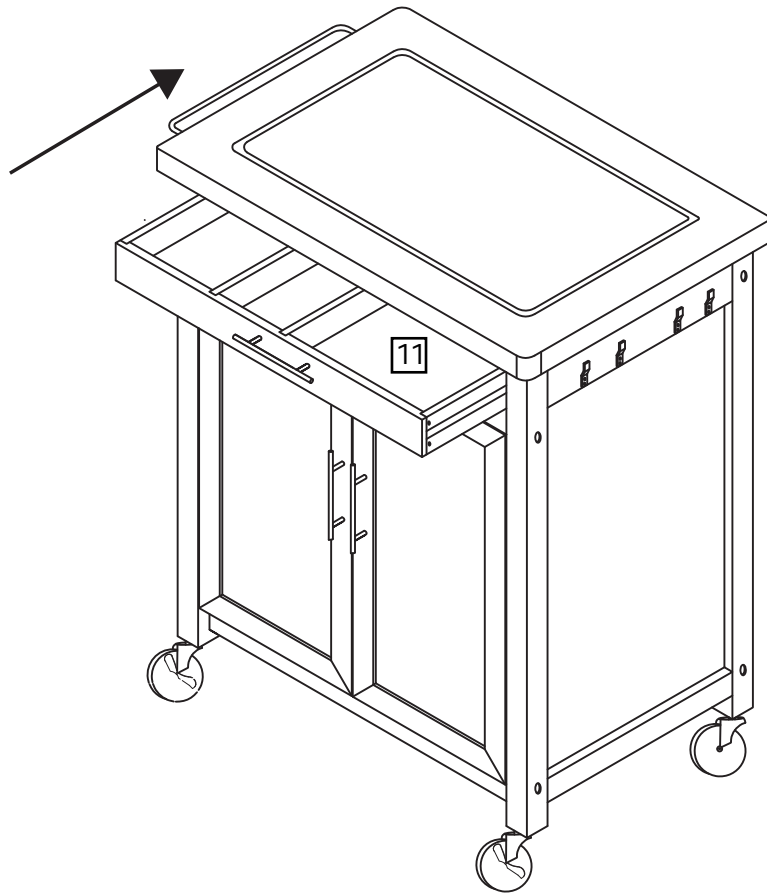


# 16

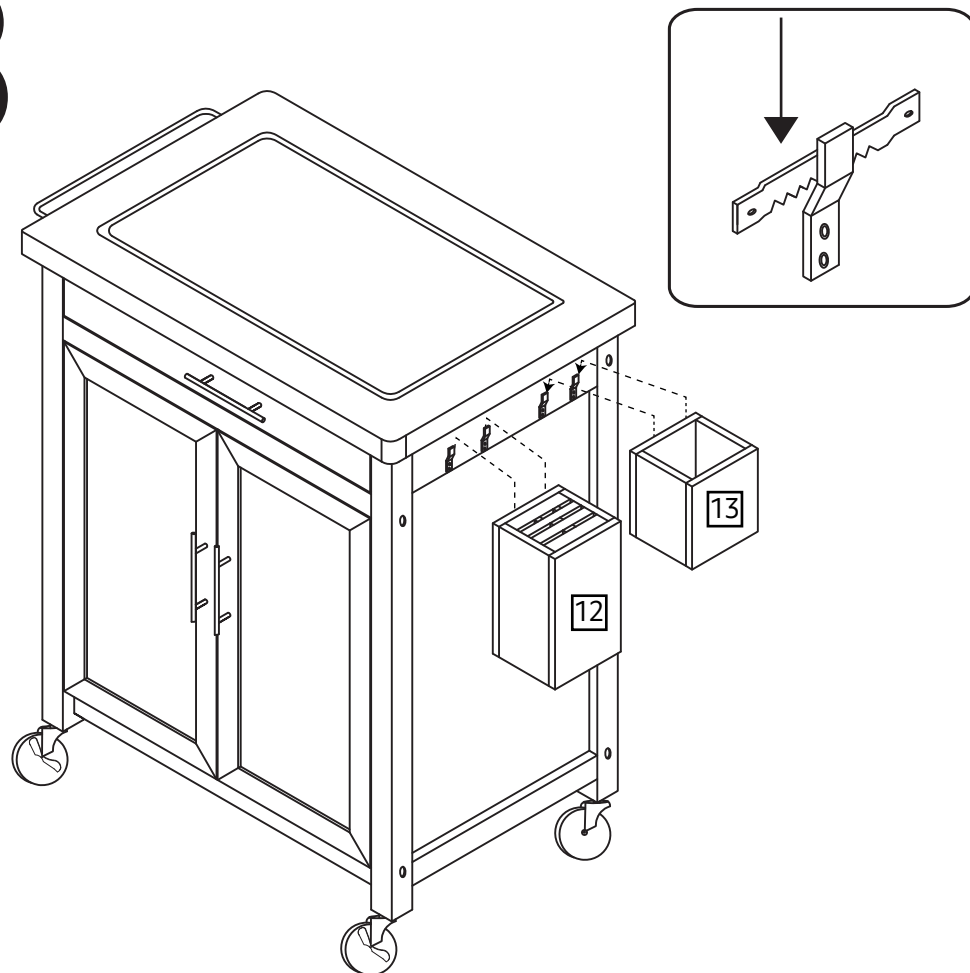
**L**   
Shelf support x4



# 17



# 18



# Your 1 Year Guarantee

## Peace Of Mind

### Knowing Your Furniture Is Protected

Protection received within the Manufacturer's Guarantee	Optional Added Protection with Furniture Care
Covers you for manufacturing defects for 1 year.	Covers you for up to 2 years for specific <b>structural defects</b> following the expiry of the manufacturer's guarantee.
In the event of a problem within this time please call <b>0345 640 0800</b> , or visit an Argos store. Please retain your receipt and order number as proof of purchase.	<b>Plus</b> - covers you for <b>accidental damage</b> up to 3 years for incidents such as household spills, rips, tears and burns. Accidental damage cover begins from the moment your plan starts.
	If you want to purchase Furniture Care visit <b><a href="https://argos.productaftercare.co.uk">https://argos.productaftercare.co.uk</a></b> or go into an Argos store.
Key exclusions applying to both the Manufacturer's Guarantee and Furniture Care include where the fault is due to misuse, abuse, deliberate damage, wear and tear, neglect, use in contravention with the instructions, or if the product has been the subject of unauthorised alterations or commercial use (for full list of exclusions please visit <b><a href="https://argos.productaftercare.co.uk">https://argos.productaftercare.co.uk</a></b> or visit an Argos store for more information). You have up to 45 days post purchase to take out Furniture Care. Terms and conditions apply. Your statutory rights remain unaffected.	

## Register

### For Your Manufacturer's Guarantee

Thank you for choosing Argos Home.  
We hope you love your shiny new things!

To provide you with the best possible after sales service, don't forget to visit **<https://argos.productaftercare.co.uk>** where you can **register** for your guarantee.

Once you've registered, you can upload your receipt to store safely online, alongside details of our after sales support service, ready at hand should you need it.

You can also take out Furniture Care which protects you against accidental damage, from the moment you take the plan out, to keep your new furniture looking newer for longer.

**Register Today**

<https://argos.productaftercare.co.uk>